



US00D855544S

(12) **United States Design Patent** (10) **Patent No.:** **US D855,544 S**  
**Anton** (45) **Date of Patent:** **\*\* Aug. 6, 2019**

(54) **VEHICLE WHEEL, TOY VEHICLE WHEEL,  
AND/OR REPLICAS THEREOF**

(71) Applicant: **Bayerische Motoren Werke  
Aktiengesellschaft, Munich (DE)**

(72) Inventor: **Moritz Anton, Munich (DE)**

(73) Assignee: **Bayerische Motoren Werke  
Aktiengesellschaft, Munich (DE)**

(\*\*) Term: **15 Years**

(21) Appl. No.: **29/631,934**

(22) Filed: **Jan. 4, 2018**

(30) **Foreign Application Priority Data**

Jul. 12, 2017 (DE) ..... 40 2017 100 813

(51) **LOC (12) Cl.** ..... **12-16**

(52) **U.S. Cl.**  
USPC ..... **D12/211**

(58) **Field of Classification Search**  
USPC ..... D12/204–213; D21/533, 561, 563  
CPC .... B60B 7/00; B60B 7/02; B60B 7/04; B60B  
7/06; B60B 3/02; B60B 3/04; B60B 3/06;  
B60B 3/10; B60B 1/00; B60B 1/08;  
B60B 1/10; B60B 1/12  
See application file for complete search history.

(56) **References Cited**

**U.S. PATENT DOCUMENTS**

D316,998 S 5/1991 Haussmann  
D327,049 S 6/1992 Boyer

D416,850 S \* 11/1999 Cohen ..... D12/211  
D573,523 S \* 7/2008 McMath ..... D12/211  
D635,499 S 4/2011 Nissl  
D763,161 S \* 8/2016 Morgenstern ..... D12/211  
D771,542 S \* 11/2016 Peat ..... D12/211  
D777,073 S \* 1/2017 Chung ..... D12/211  
D804,389 S \* 12/2017 Lettieri ..... D12/209  
D824,835 S \* 8/2018 Ferrett ..... D12/211

**FOREIGN PATENT DOCUMENTS**

EM 001636978-0012 11/2010  
EM 001754953-0004 1/2011  
EM 002639823-0008 3/2017  
WO WO DM/015850 4/1990  
WO WO DM/045560 10/1998

\* cited by examiner

*Primary Examiner* — Sheryl Lane

*Assistant Examiner* — Calvin E Vansant

(74) *Attorney, Agent, or Firm* — Crowell & Moring LLP

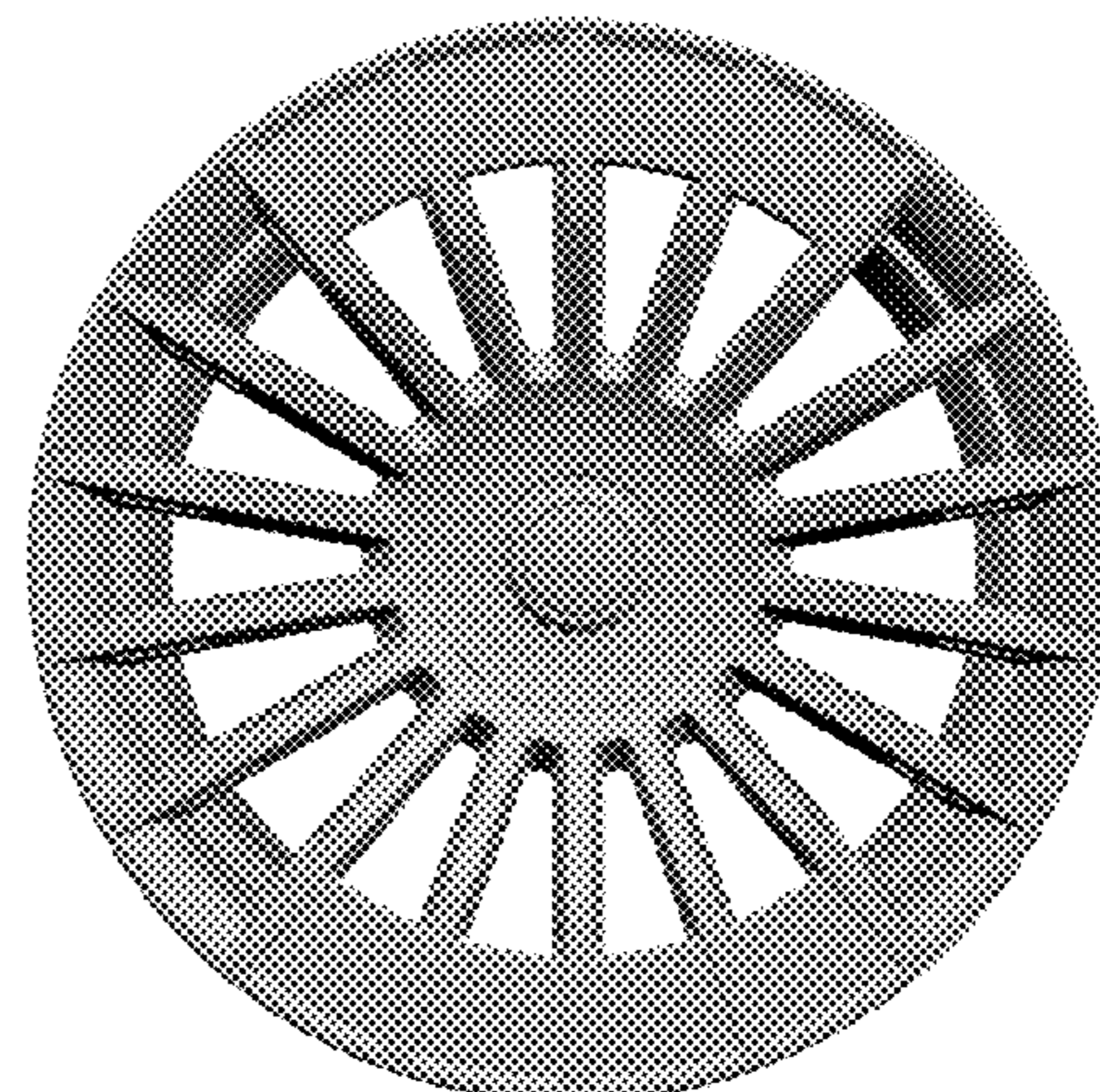
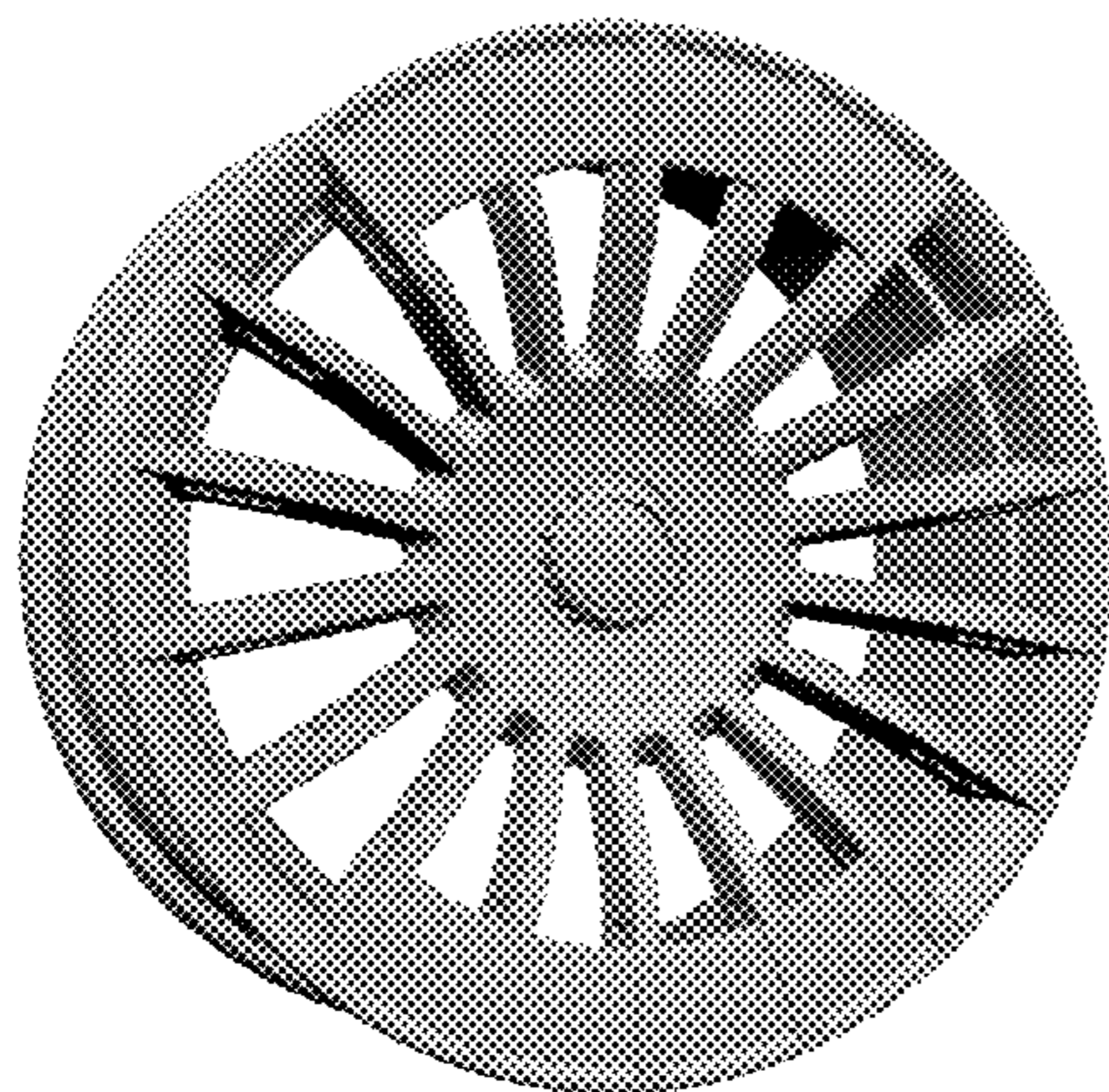
(57) **CLAIM**

The ornamental design for a vehicle wheel, toy vehicle wheel, and/or replicas thereof, as shown and described.

**DESCRIPTION**

FIG. 1 is a perspective view of a vehicle wheel, toy vehicle wheel, and/or replicas thereof according to the design; FIG. 2 is an additional perspective view thereof; FIG. 3 is an additional perspective view thereof; FIG. 4 is a front view thereof; FIG. 5 is a rear view thereof; and, FIG. 6 is a side view thereof. FIG. 5 is shown in low-contrast rendering to depict environmental subject matter and forms no part of the claim.

**1 Claim, 6 Drawing Sheets**



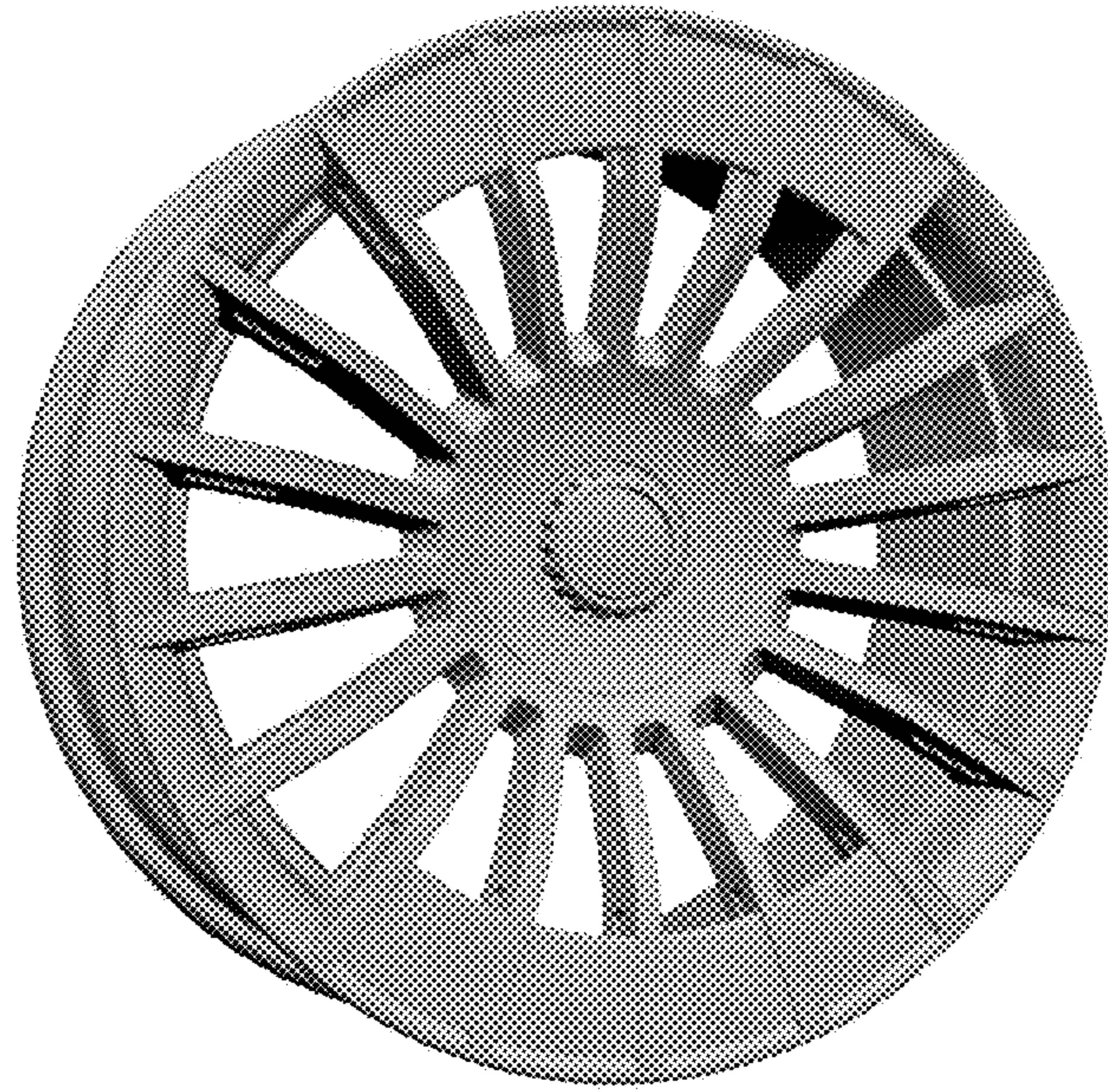


Fig. 1



Fig. 2



Fig. 3

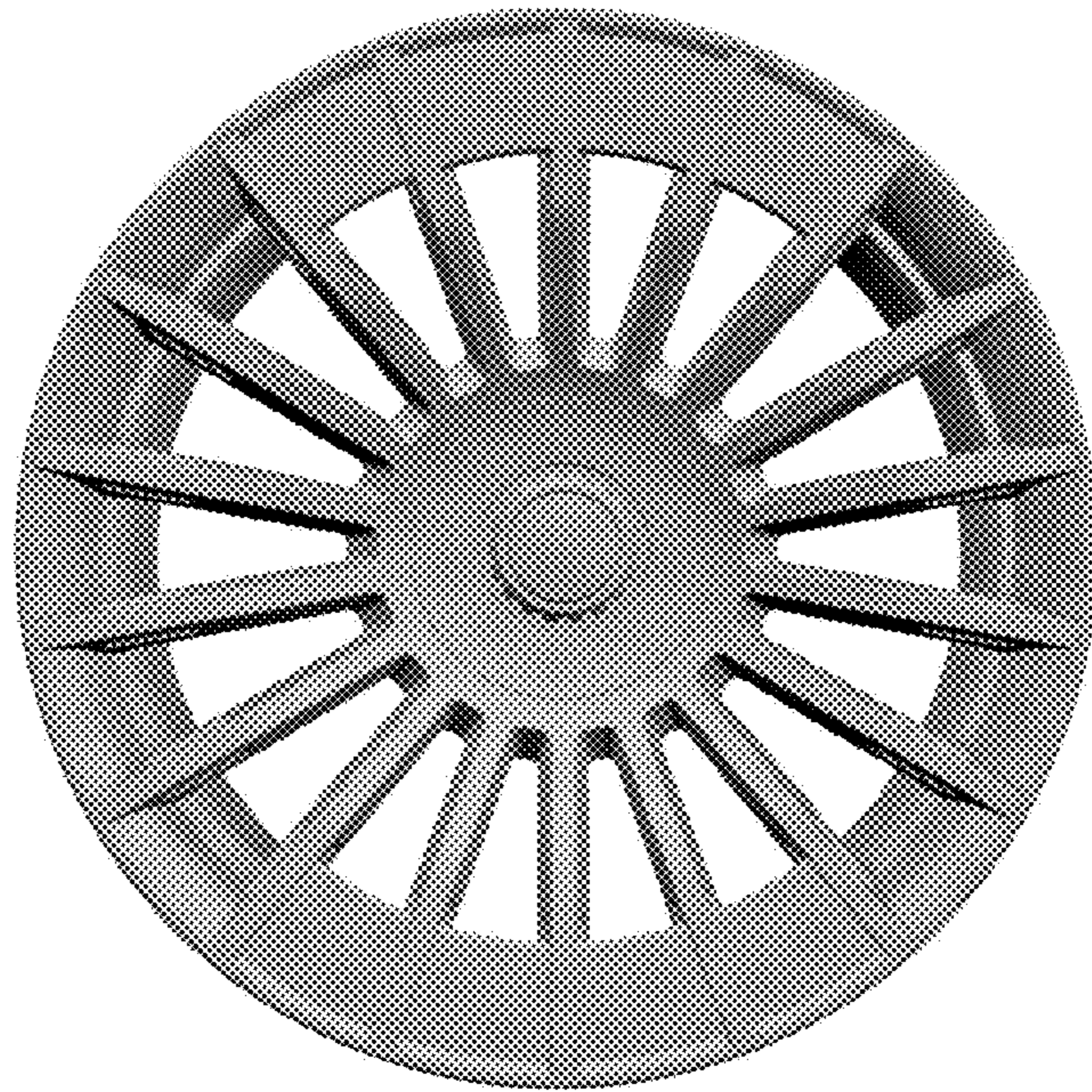


Fig. 4

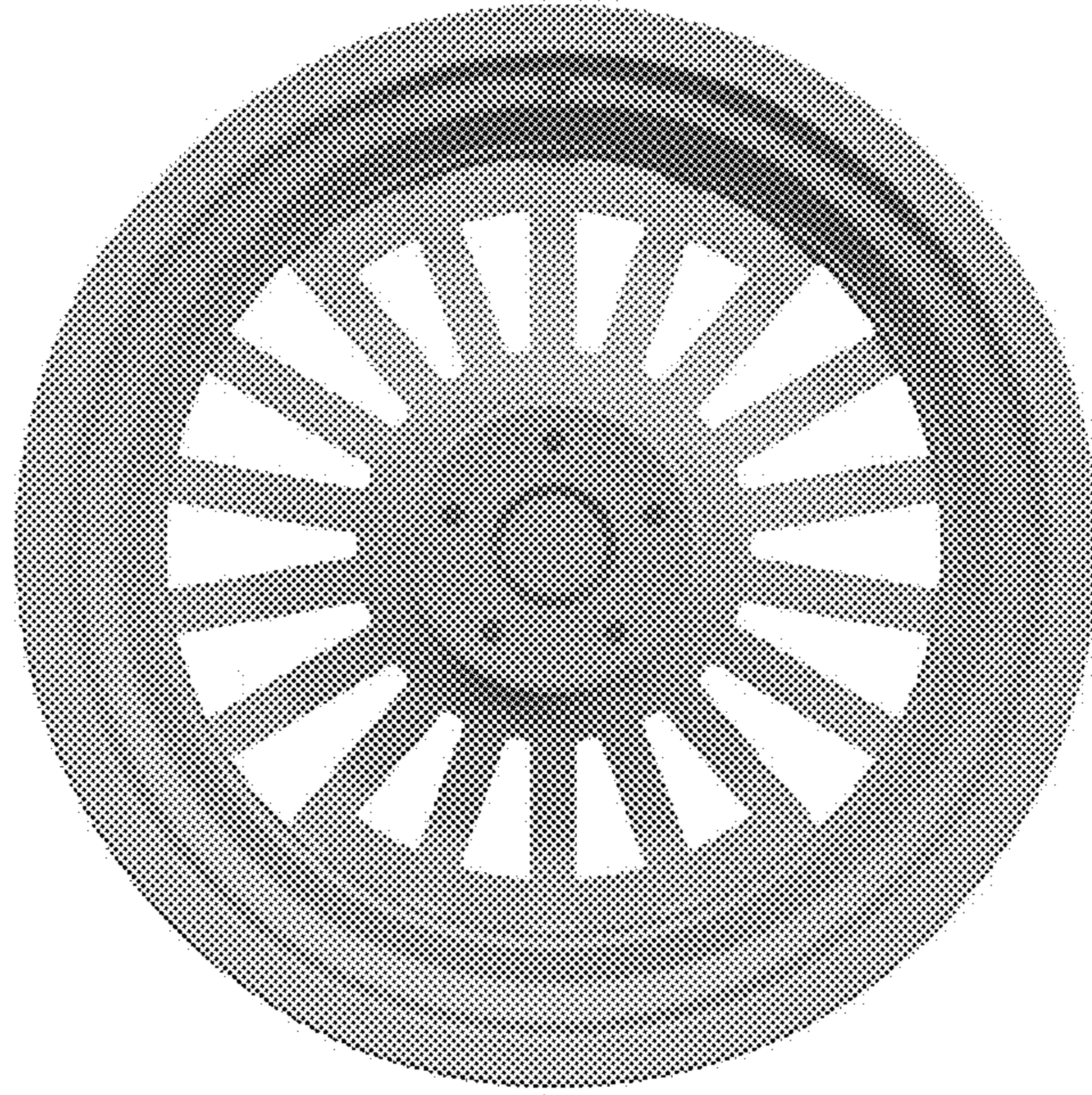


Fig. 5

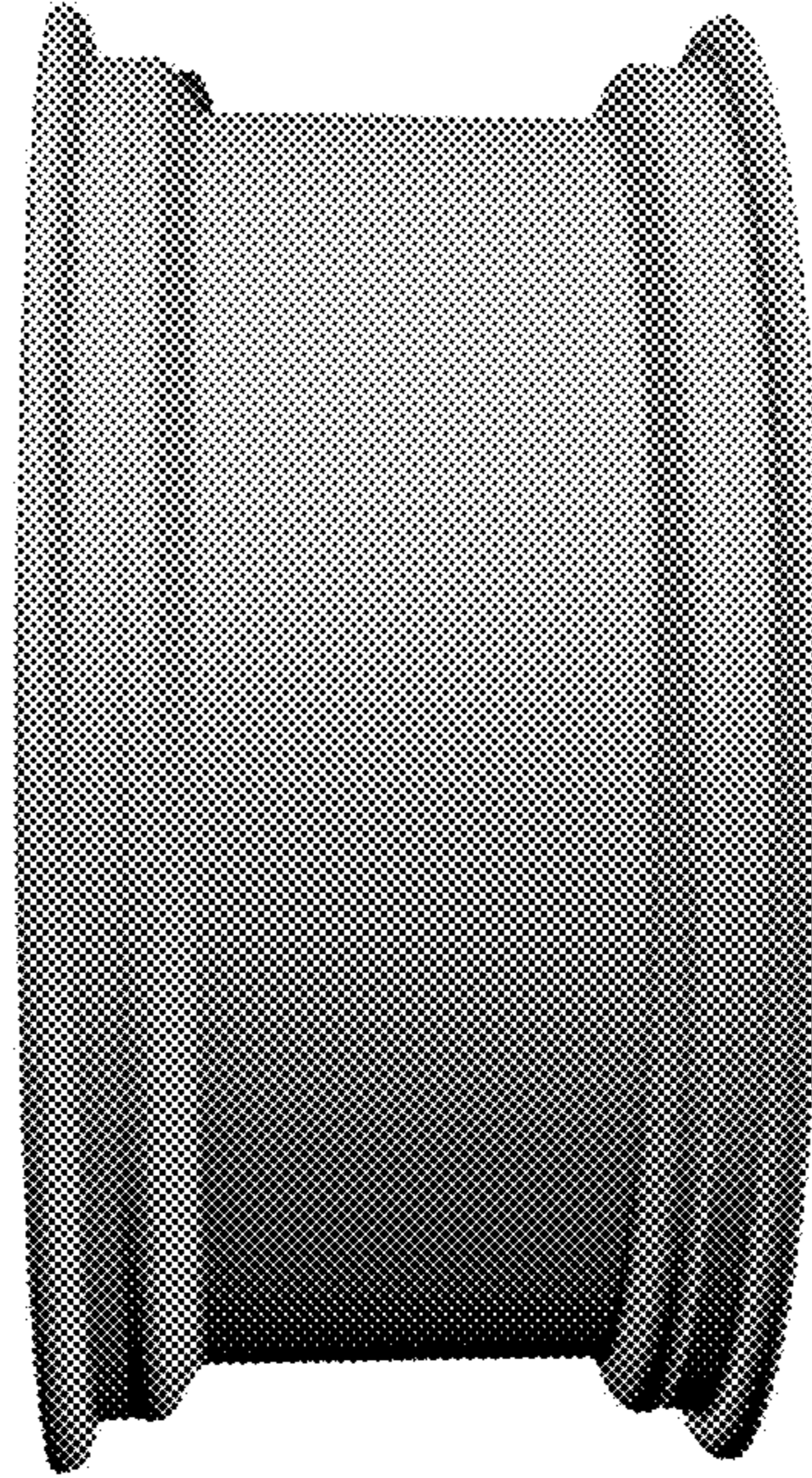


Fig. 6