



US00D855539S

(12) **United States Design Patent**
Han

(10) **Patent No.:** **US D855,539 S**

(45) **Date of Patent:** **** Aug. 6, 2019**

(54) **AUTOMOTIVE WHEEL**

(71) Applicant: **Donnie Han**, Corona, CA (US)

(72) Inventor: **Donnie Han**, Corona, CA (US)

(**) Term: **15 Years**

(21) Appl. No.: **29/654,874**

(22) Filed: **Jun. 28, 2018**

(51) **LOC (12) Cl.** **12-16**

(52) **U.S. Cl.**
USPC **D12/209**

(58) **Field of Classification Search**
USPC D12/204–213
CPC B60B 7/00; B60B 7/02; B60B 7/04; B60B
7/01; B60B 7/06; B60B 3/02; B60B 3/04;
B60B 3/06; B60B 3/10; B60B 1/00;
B60B 1/08; B60B 1/10; B60B 1/12
See application file for complete search history.

(56) **References Cited**

U.S. PATENT DOCUMENTS

D303,242 S * 9/1989 Nakatsuka D12/211
D303,949 S * 10/1989 Nakatsuka D12/211

D400,841 S * 11/1998 Sacco D12/209
D416,531 S * 11/1999 Gabath D12/209
D423,444 S * 4/2000 Hussaini D12/209
D430,844 S * 9/2000 Noriega D12/211
D431,518 S * 10/2000 Fitzgerald D12/209
D449,810 S * 10/2001 Hussaini D12/209
D455,697 S * 4/2002 Chung D12/209
D550,600 S * 9/2007 Celik D12/209
D690,642 S * 10/2013 Kito D12/209
D716,212 S * 10/2014 Bildhaeuser D12/209
D744,400 S * 12/2015 Watanuki D12/209
D791,669 S * 7/2017 Badstuebner D12/209
D817,843 S * 5/2018 Hale, Jr. D12/209
D818,410 S * 5/2018 Hale, Jr. D12/209

* cited by examiner

Primary Examiner — Stacia A Cadmus

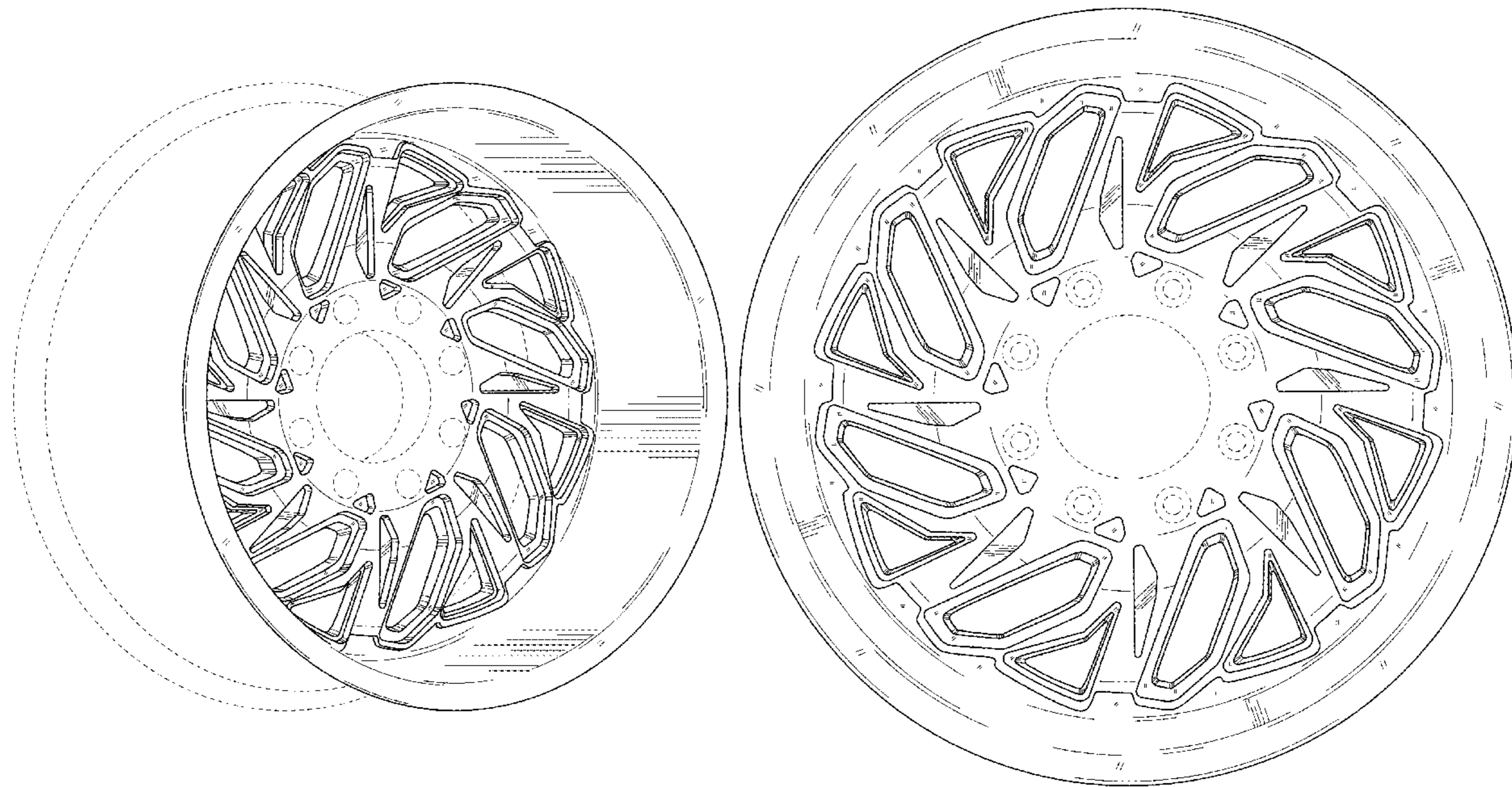
(57) **CLAIM**

The ornamental design for an automotive wheel, as shown and described.

DESCRIPTION

FIG. 1 is a perspective view of an automotive wheel, showing my new design; and, FIG. 2 is a front view thereof. The broken line showing of the wheel is included for the purpose of illustrating environment and forms no part of the claimed design.

1 Claim, 2 Drawing Sheets



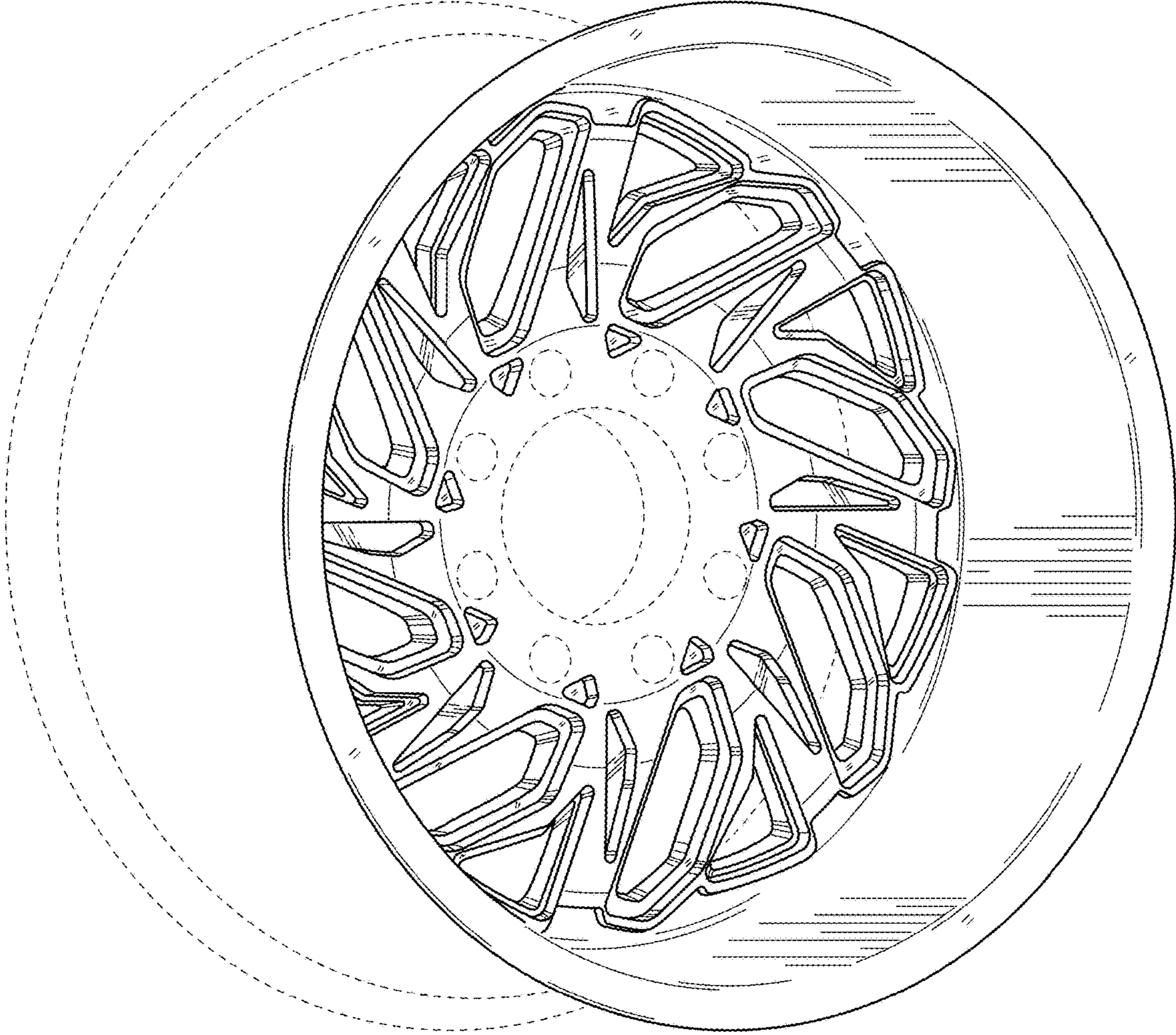


FIGURE 1

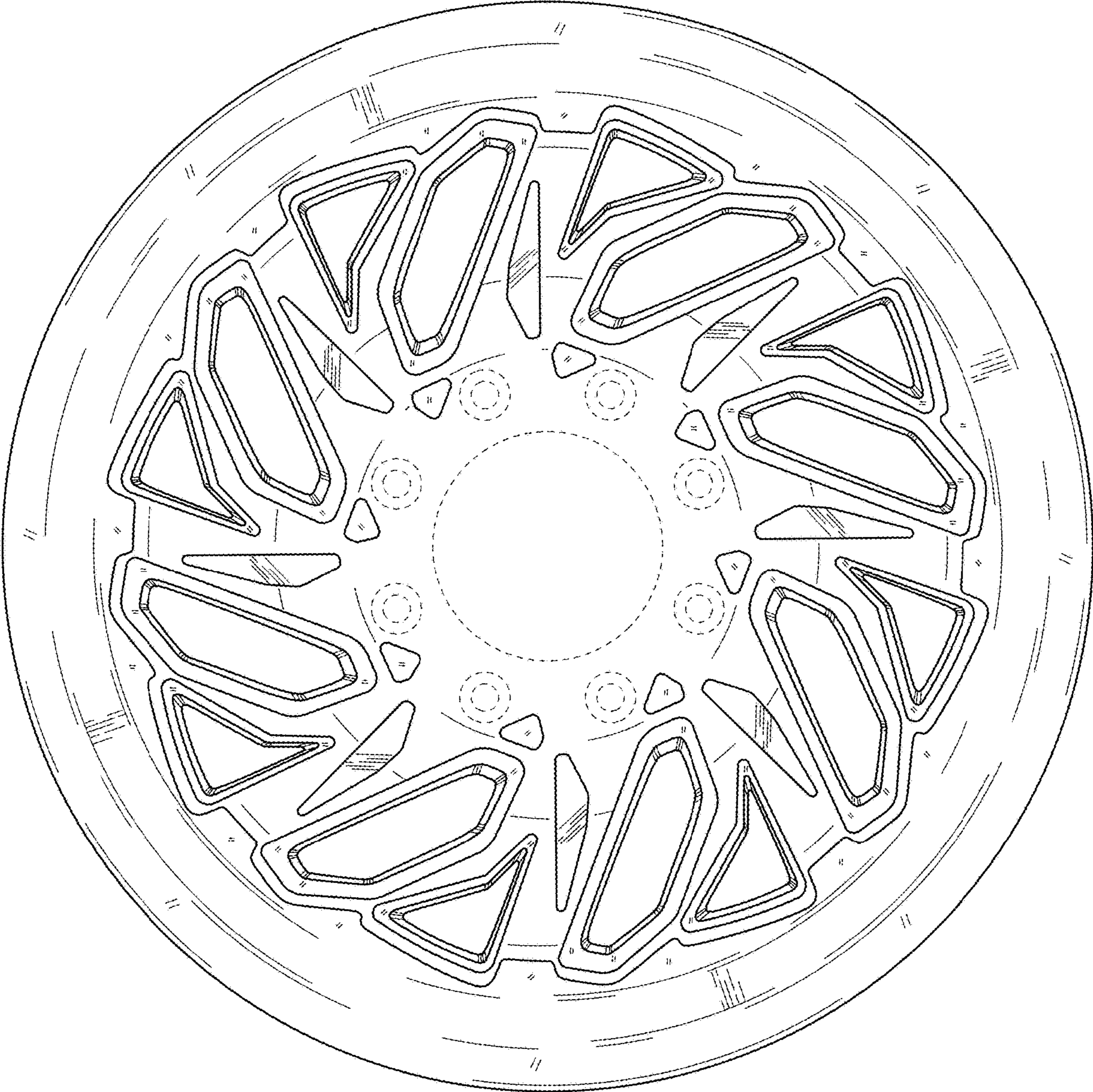


FIGURE 2