



US00D855536S

(12) **United States Design Patent**  
**Zhao**

(10) **Patent No.:** **US D855,536 S**

(45) **Date of Patent:** **\*\* Aug. 6, 2019**

(54) **AUTOMOBILE WHEEL**

(71) Applicant: **WAH HUNG GROUP, INC.**,  
Monterey Park, CA (US)

(72) Inventor: **John Zhao**, Monterey Park, CA (US)

(73) Assignee: **Wah Hung Group Inc.**, Monterey  
Park, CA (US)

(\*\*) Term: **15 Years**

(21) Appl. No.: **29/650,281**

(22) Filed: **Jun. 5, 2018**

(51) **LOC (12) Cl.** ..... **12-16**

(52) **U.S. Cl.**  
USPC ..... **D12/209**

(58) **Field of Classification Search**  
USPC ..... D12/204–213  
CPC .... B60B 7/00; B60B 7/02; B60B 7/04; B60B  
7/01; B60B 7/06; B60B 3/02; B60B 3/04;  
B60B 3/06; B60B 3/10; B60B 1/00;  
B60B 1/08; B60B 1/10; B60B 1/12  
See application file for complete search history.

(56) **References Cited**

**U.S. PATENT DOCUMENTS**

D375,716 S	*	11/1996	Dehner	.....	D12/209
D473,506 S	*	4/2003	Laengerer	.....	D12/211
D578,947 S	*	10/2008	Arora	.....	D12/209
D655,657 S	*	3/2012	Juergens	.....	D12/209
D656,448 S	*	3/2012	Zhao	.....	D12/211

D676,794 S	*	2/2013	Hilpert	.....	D12/209
D678,163 S	*	3/2013	Tirado	.....	D12/209
D726,628 S	*	4/2015	Kong	.....	D12/211
D730,799 S	*	6/2015	Hans	.....	D12/209
D746,212 S	*	12/2015	Valencia Pollex	.....	D12/211
D756,878 S	*	5/2016	Valencia Pollex	.....	D12/209
D769,172 S	*	10/2016	Ishii	.....	D12/211
D790,422 S	*	6/2017	Hodges	.....	D12/209
D790,428 S	*	6/2017	Zhao	.....	D12/211
D791,668 S	*	7/2017	Murase	.....	D12/209
D795,779 S	*	8/2017	Valencia Pollex	.....	D12/211
D804,387 S	*	12/2017	Zhao	.....	D12/209
D804,388 S	*	12/2017	Snyder	.....	D12/209
D826,126 S	*	8/2018	Valencia Pollex	.....	D12/209
D826,130 S	*	8/2018	Myrberg	.....	D12/209
D826,826 S	*	8/2018	Back	.....	D12/209

\* cited by examiner

*Primary Examiner* — Stacia A Cadmus

(74) *Attorney, Agent, or Firm* — Payam Moradian

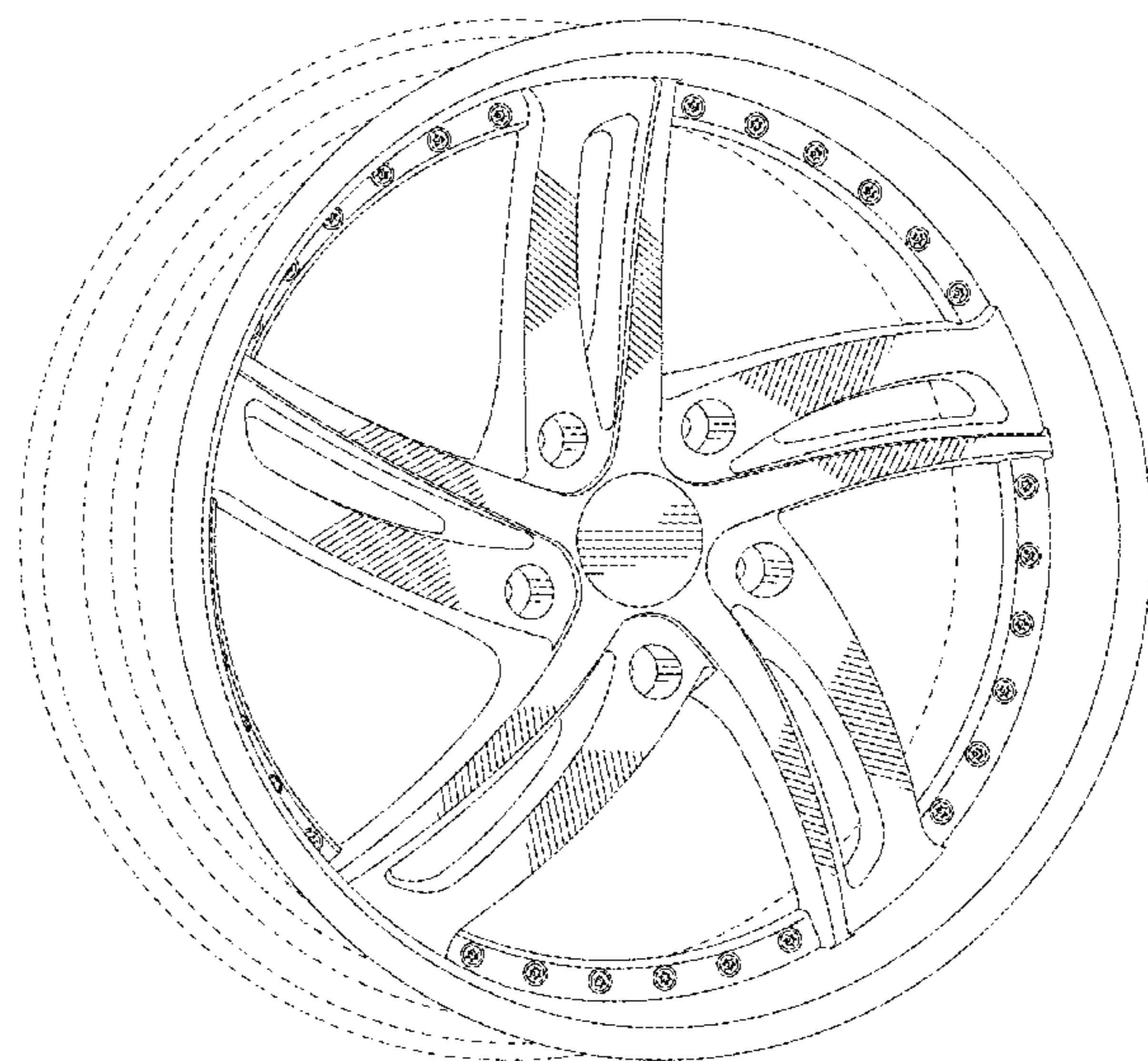
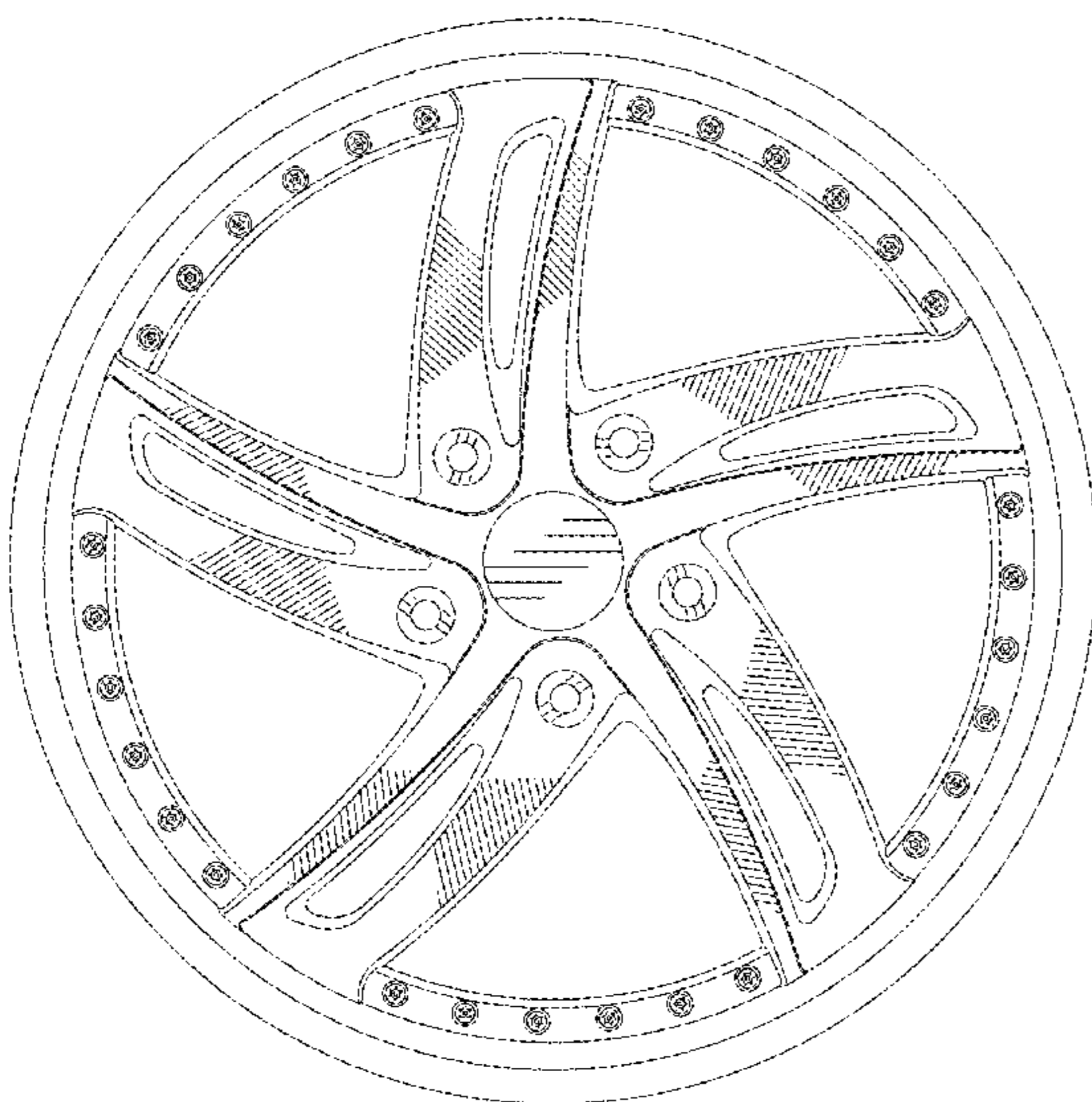
(57) **CLAIM**

I claim the ornamental design for an automobile wheel, as shown and described.

**DESCRIPTION**

FIG. 1 is a front elevational view of an automobile wheel, showing my new design; and, FIG. 2 is a perspective view thereof. The broken lines in the drawings of the automobile wheel are for showing portions of the article and form no part of the claimed design.

**1 Claim, 2 Drawing Sheets**



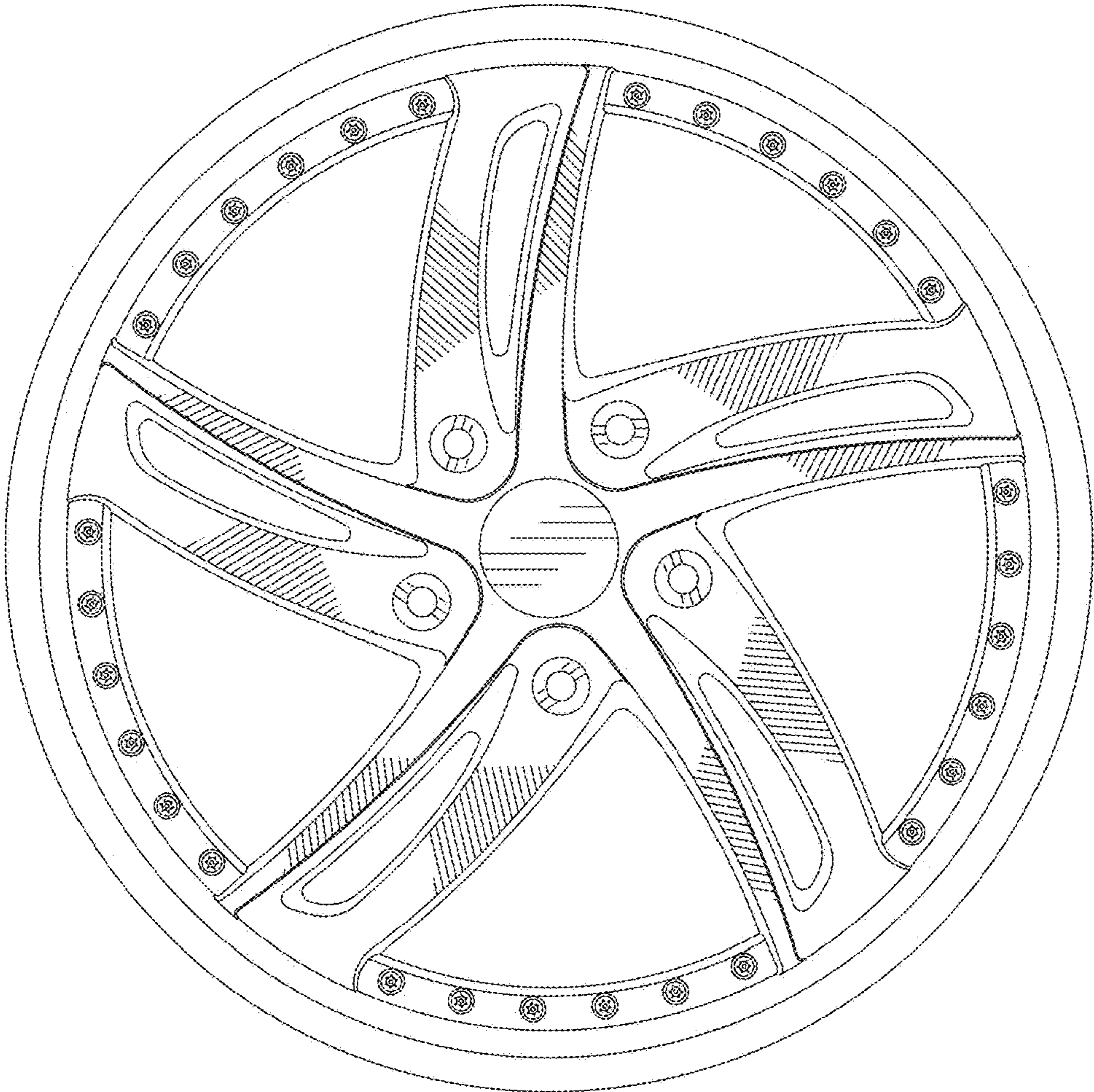


FIG. 1



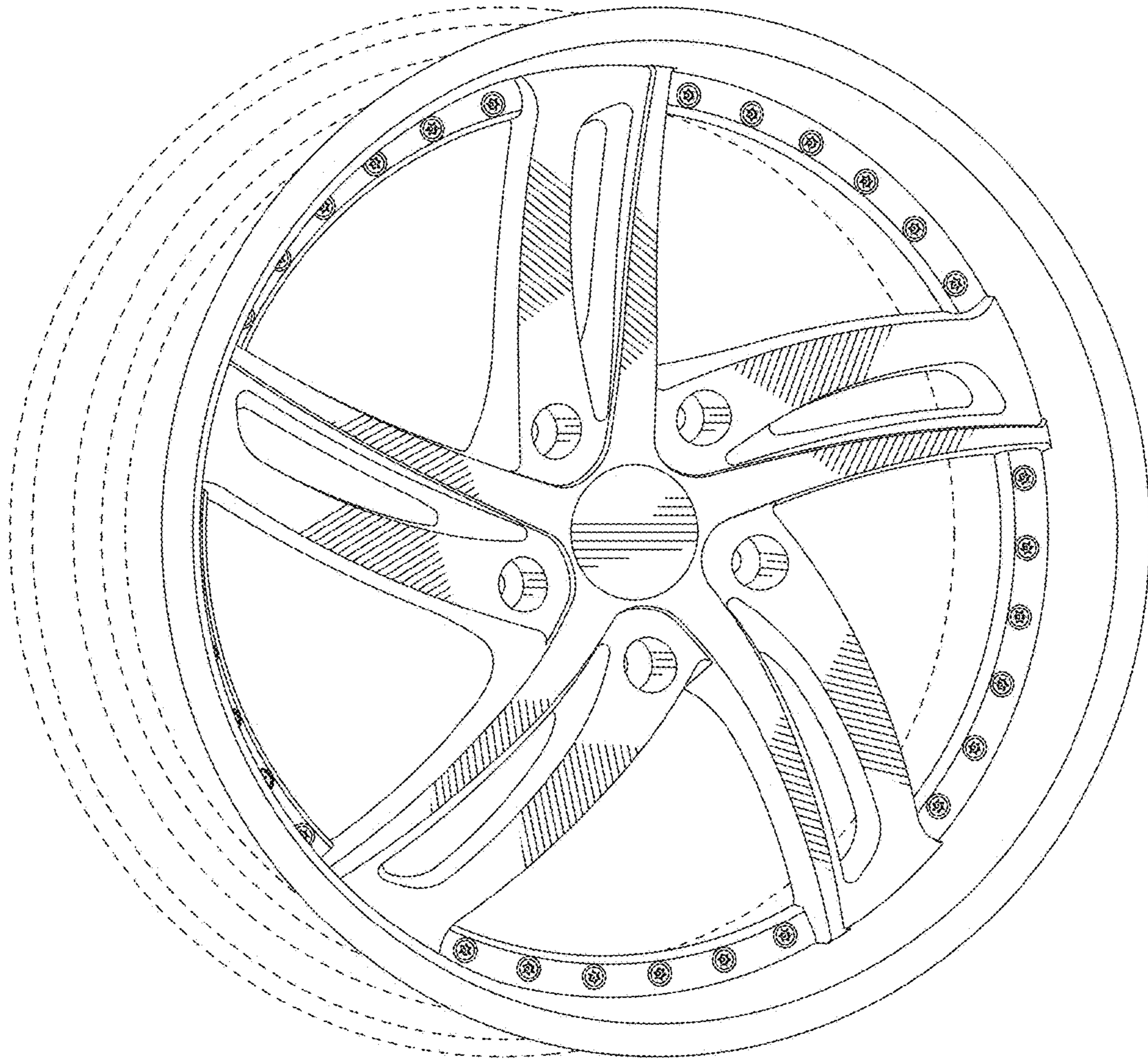


FIG. 2