



US00D855535S

(12) **United States Design Patent**  
**Badstuebner et al.**

(10) **Patent No.:** **US D855,535 S**

(45) **Date of Patent:** **\*\* Aug. 6, 2019**

(54) **WHEEL OR WHEEL COVER**

(71) Applicant: **Daimler AG**, Stuttgart (DE)

(72) Inventors: **Achim-Dietrich Badstuebner**, Munich (DE); **Robert Lesnik**, Leonberg (DE); **Peter Riedel**, Holzgerlingen (DE); **Jaroslav Hejtmanek**, Moetzingen (DE)

(73) Assignee: **Daimler AG**, Stuttgart (DE)

(\*\*) Term: **15 Years**

(21) Appl. No.: **29/640,335**

(22) Filed: **Mar. 14, 2018**

(51) **LOC (12) Cl.** ..... **12-16**

(52) **U.S. Cl.**  
USPC ..... **D12/209**

(58) **Field of Classification Search**  
USPC ..... D12/204–213; D21/533, 561, 563  
CPC .... B60B 7/00; B60B 7/02; B60B 7/04; B60B 7/06; B60B 3/02; B60B 3/04; B60B 3/06; B60B 3/10; B60B 1/00; B60B 1/08; B60B 1/10; B60B 1/12  
See application file for complete search history.

(56) **References Cited**

**U.S. PATENT DOCUMENTS**

D515,493 S \* 2/2006 Schaefers ..... D12/211  
D567,167 S \* 4/2008 Forster ..... D12/211

D585,354 S \* 1/2009 Powell ..... D12/211  
D670,636 S \* 11/2012 Juergens ..... D12/211  
D672,702 S \* 12/2012 Pollmann ..... D12/211  
D758,273 S \* 6/2016 Baum ..... D12/209  
D765,003 S \* 8/2016 Toth ..... D12/211  
D767,467 S \* 9/2016 Davidson ..... D12/211  
D793,941 S \* 8/2017 Badstuebner ..... D12/211  
D808,324 S \* 1/2018 Ninov ..... D12/211  
D839,172 S \* 1/2019 Preyss ..... D12/211

**FOREIGN PATENT DOCUMENTS**

WO WO DM/090609 5/2016  
WO WO DM/092349 8/2016

\* cited by examiner

*Primary Examiner* — Sheryl Lane

*Assistant Examiner* — Calvin E Vansant

(74) *Attorney, Agent, or Firm* — Crowell & Moring LLP

(57) **CLAIM**

The ornamental design for a wheel or wheel cover, as shown and described.

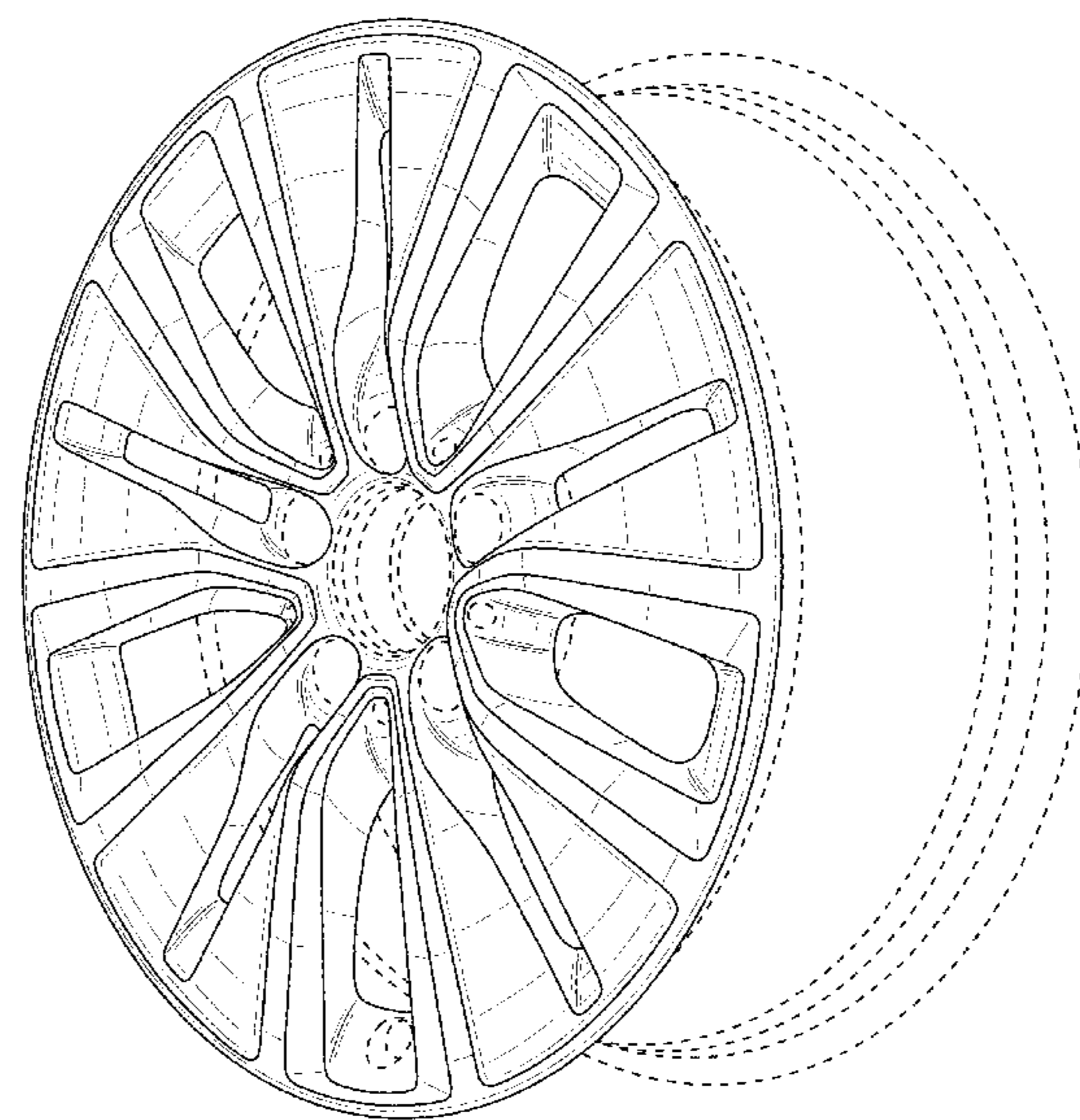
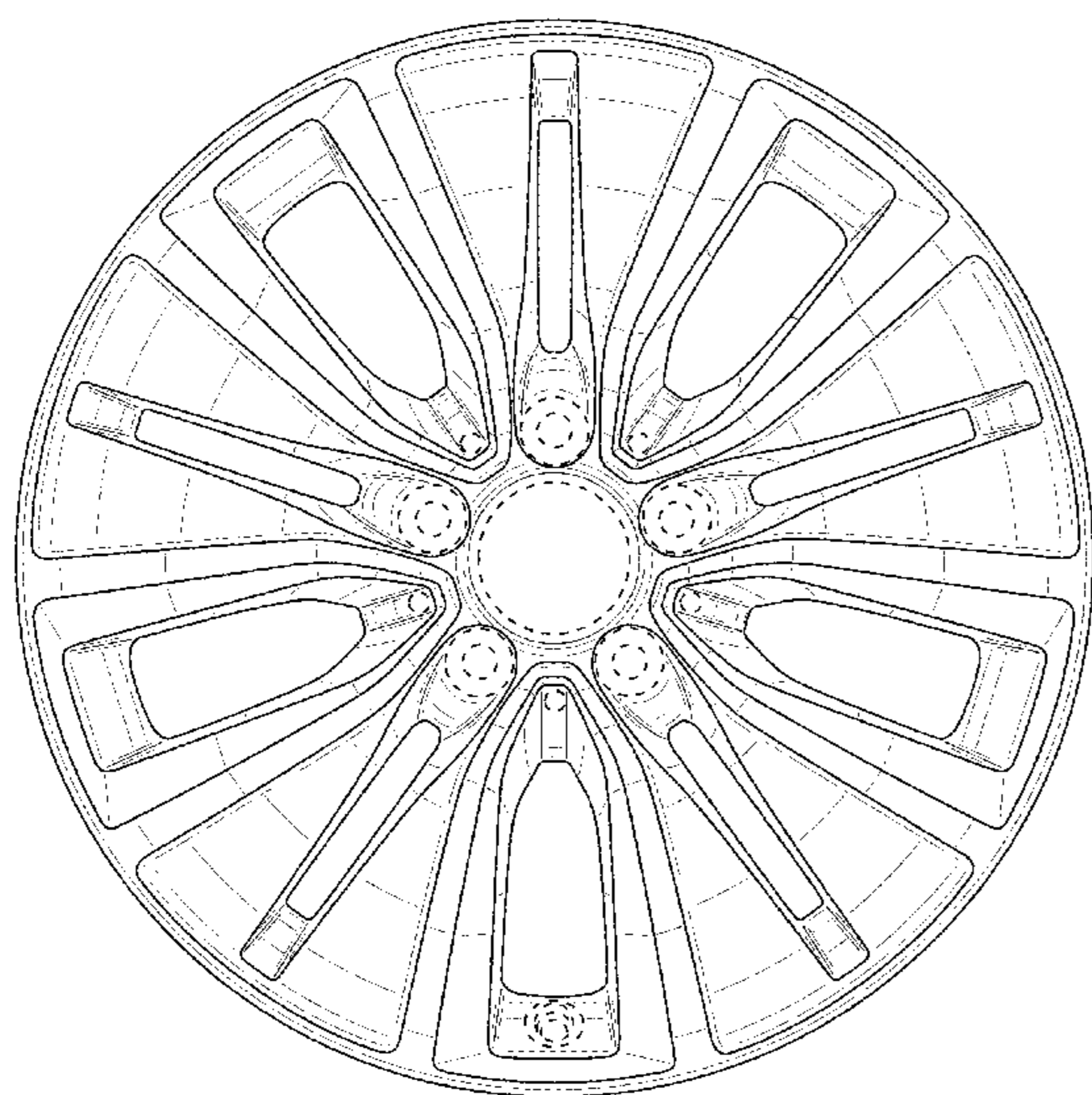
**DESCRIPTION**

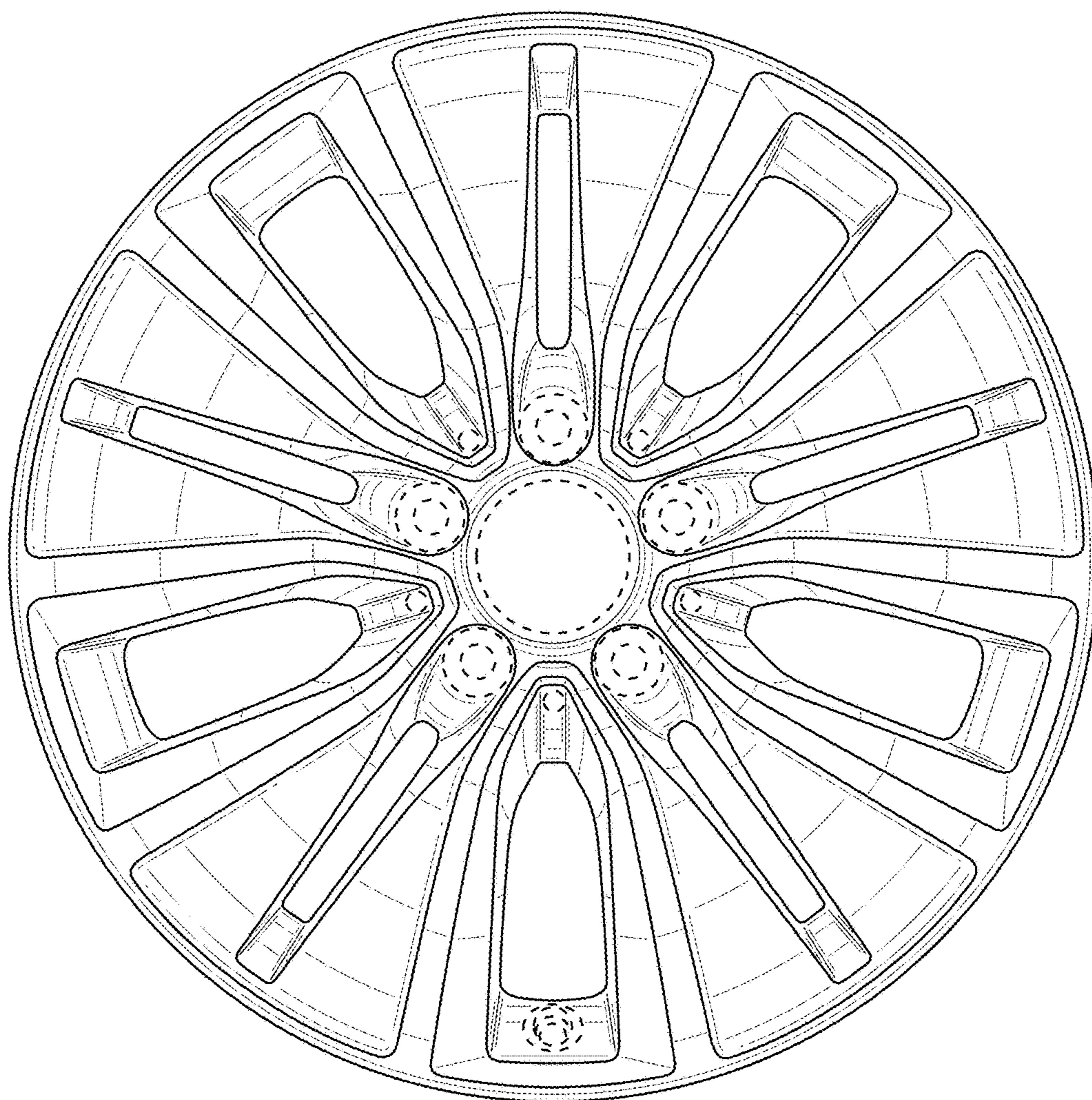
FIG. 1 is a front view of a wheel or wheel cover according to the design; and,

FIG. 2 is a perspective view thereof.

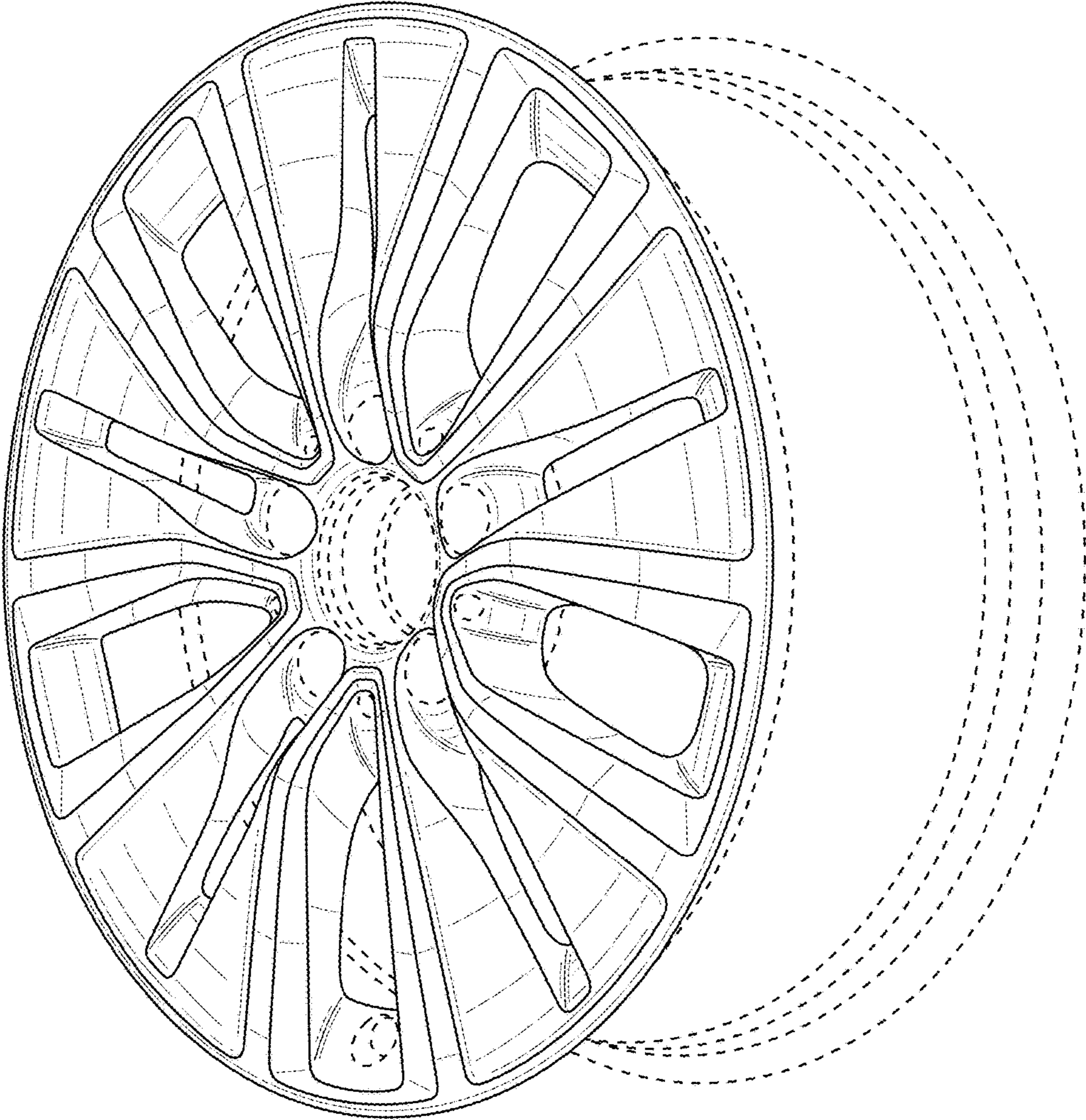
The broken lines in the drawings illustrate environmental subject matter only and form no part of the claimed design.

**1 Claim, 2 Drawing Sheets**





**FIG. 1**



**FIG. 2**