



US00D855534S

(12) **United States Design Patent**  
**Gregory**

(10) **Patent No.:** **US D855,534 S**

(45) **Date of Patent:** **\*\* Aug. 6, 2019**

(54) **WHEEL FOR MOTOR VEHICLE**

(71) Applicant: **Bentley Motors Limited**, Crewe (GB)

(72) Inventor: **John Paul Gregory**, Crewe (GB)

(73) Assignee: **BENTLEY MOTORS LIMITED**,  
Crewe, Cheshire (GB)

(\*\*) Term: **15 Years**

(21) Appl. No.: **29/638,129**

(22) Filed: **Feb. 23, 2018**

(30) **Foreign Application Priority Data**

Aug. 25, 2017 (EM) ..... 004164341

(51) **LOC (12) Cl.** ..... **12-16**

(52) **U.S. Cl.**  
USPC ..... **D12/209**

(58) **Field of Classification Search**  
USPC ..... D12/204–213  
CPC .... B60B 7/00; B60B 7/02; B60B 7/04; B60B  
7/01; B60B 7/06; B60B 3/02; B60B 3/04;  
B60B 3/06; B60B 3/10; B60B 1/00;  
B60B 1/08; B60B 1/10; B60B 1/12  
See application file for complete search history.

(56) **References Cited**

**U.S. PATENT DOCUMENTS**

D549,632 S *	8/2007	Sands	.....	D12/209
D591,662 S *	5/2009	Imai	.....	D12/211
D597,463 S *	8/2009	Chung	.....	D12/209
D619,071 S *	7/2010	Christensen	.....	D12/211
D635,077 S *	3/2011	Nordmann	.....	D12/209
D684,913 S *	6/2013	Chen	.....	D12/209
D697,858 S *	1/2014	Kito	.....	D12/209
D745,842 S *	12/2015	Wheel	.....	D12/209

D748,553 S *	2/2016	Miyazawa	.....	D12/209
D757,625 S *	5/2016	Hu	.....	D12/209
D759,562 S *	6/2016	Wheel	.....	D12/209
D759,565 S *	6/2016	Cybulski	.....	D12/209
D761,711 S *	7/2016	Wolff	.....	D12/209
D774,438 S *	12/2016	Valencia Pollex	.....	D12/209
D777,077 S *	1/2017	Bjerke	.....	D12/211
D781,205 S *	3/2017	O'Neill	.....	D12/211
D789,270 S *	6/2017	Hodges	.....	D12/209
D792,306 S *	7/2017	Ishigaki	.....	D12/209
D797,024 S *	9/2017	Ariga	.....	D12/209
D806,633 S *	1/2018	Setter	.....	D12/211
D820,758 S *	6/2018	Austin	.....	D12/209
D823,432 S *	7/2018	Oh	.....	D23/209
D824,831 S *	8/2018	Oh	.....	D12/209
D828,266 S *	9/2018	Garcia	.....	D12/209
D830,271 S *	10/2018	Aslam	.....	D12/213
D833,951 S *	11/2018	Wheel	.....	D12/211

\* cited by examiner

*Primary Examiner* — Stacia A Cadmus

(74) *Attorney, Agent, or Firm* — Schwabe Williamson & Wyatt, P.C.

(57) **CLAIM**

I claim the ornamental design for a wheel for motor vehicle, as shown and described.

**DESCRIPTION**

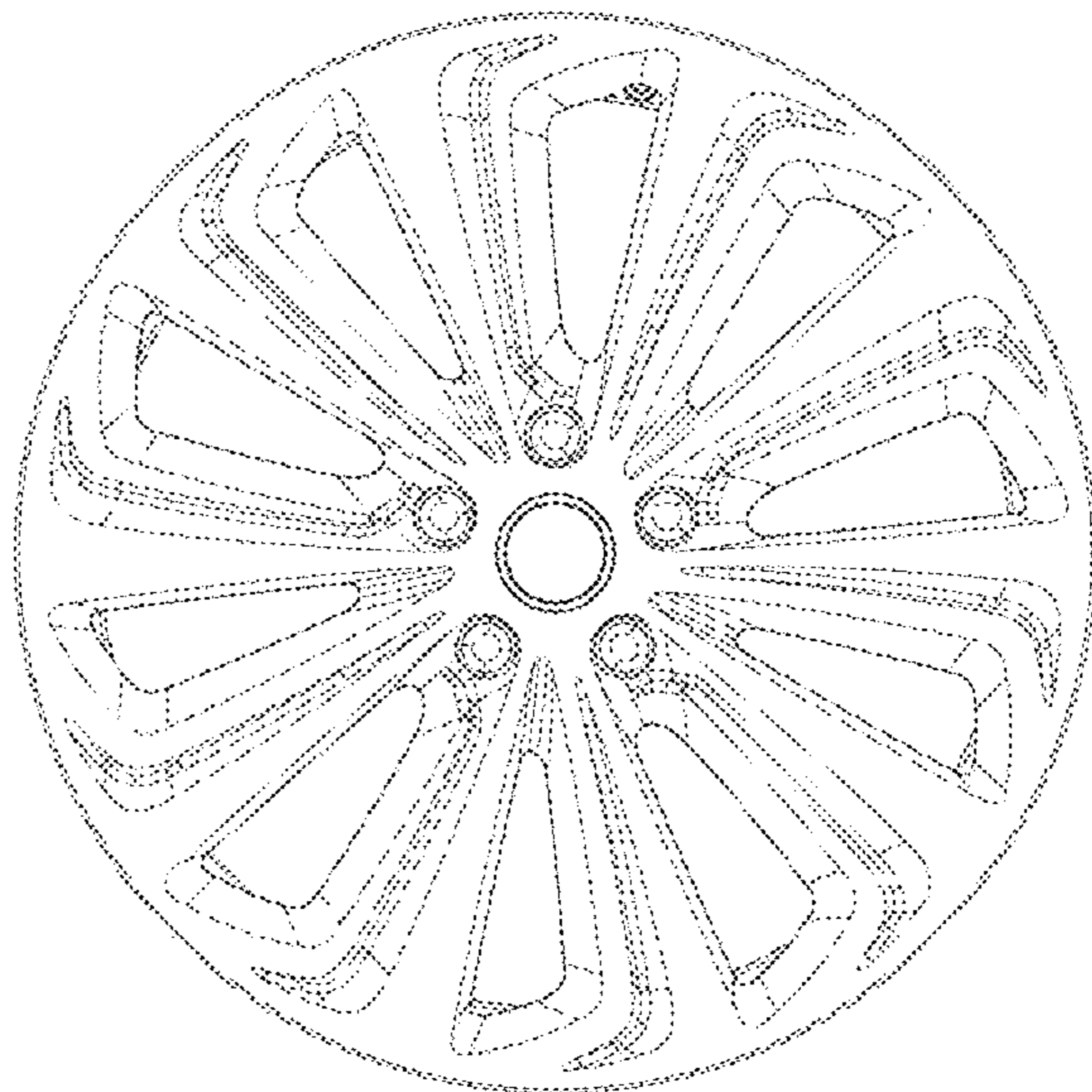
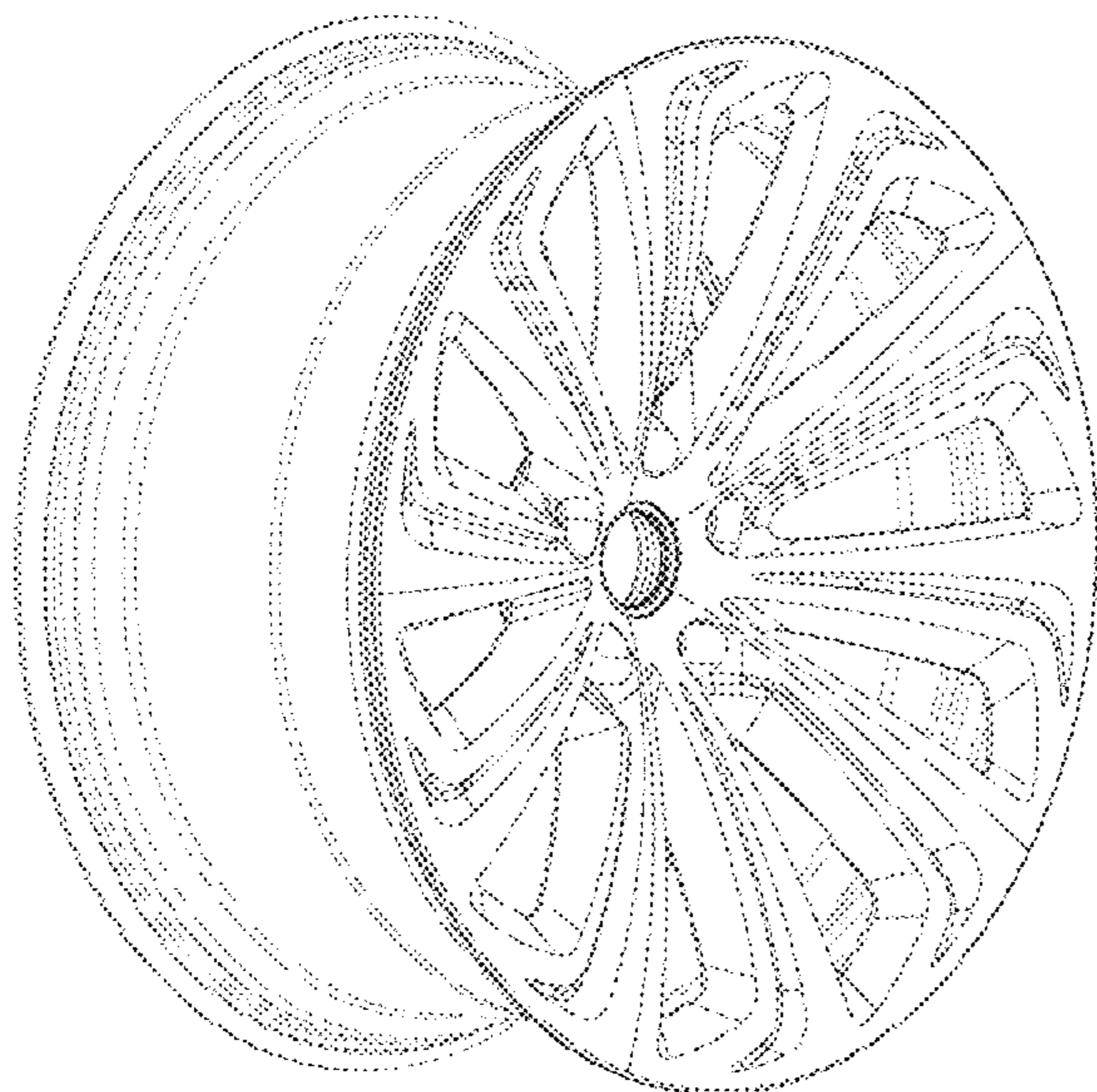
FIG. 1 is a perspective view of a wheel for motor vehicle, showing my design;

FIG. 2 is a front view thereof; and,

FIG. 3 is a side view thereof.

The additional views of the wheel not provided herein do not provide any additional claimed features of the design and thus are not represented. The broken lines are included for illustrating environmental structure and form no part of the claimed design.

**1 Claim, 3 Drawing Sheets**



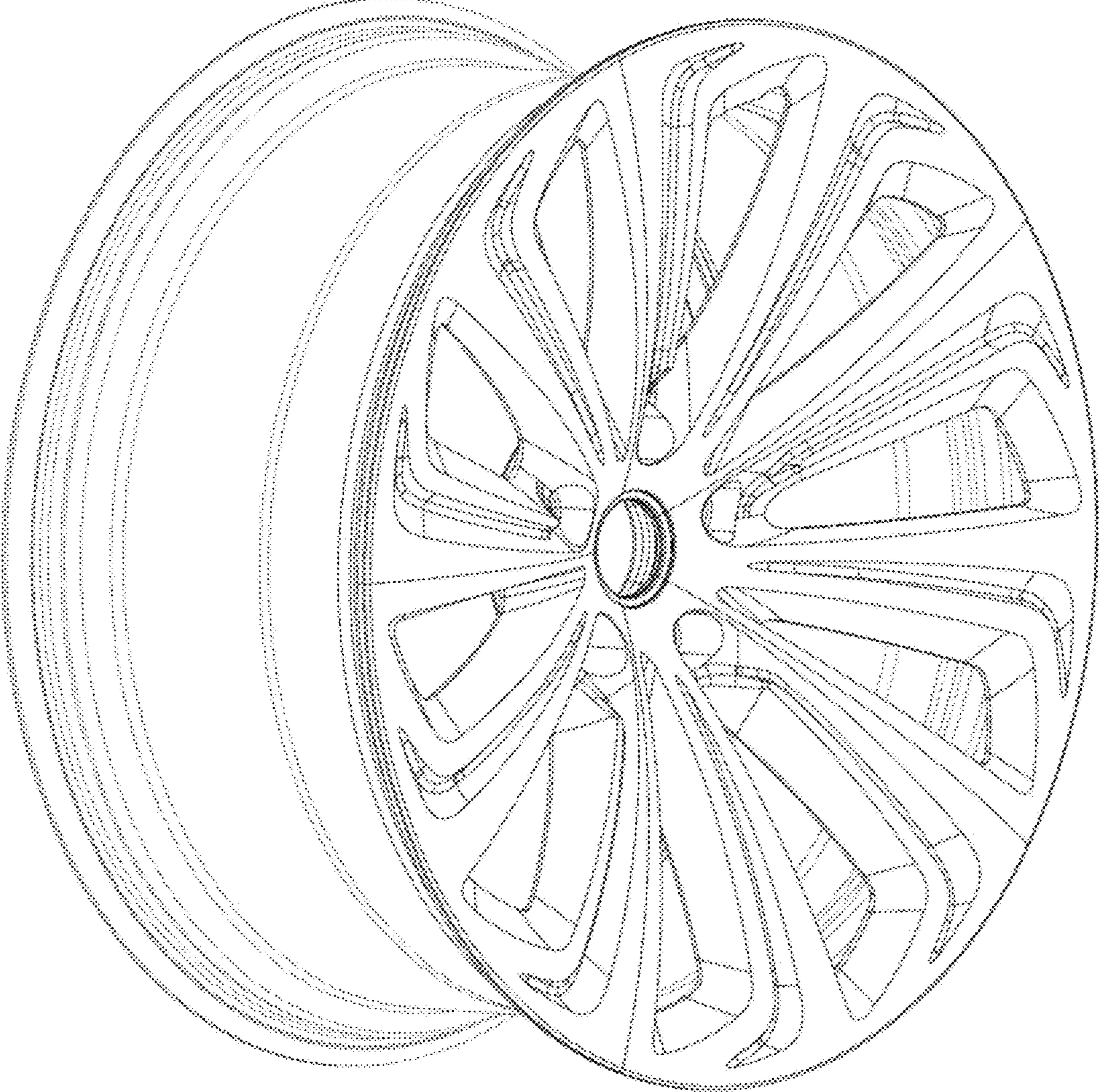


FIG. 1

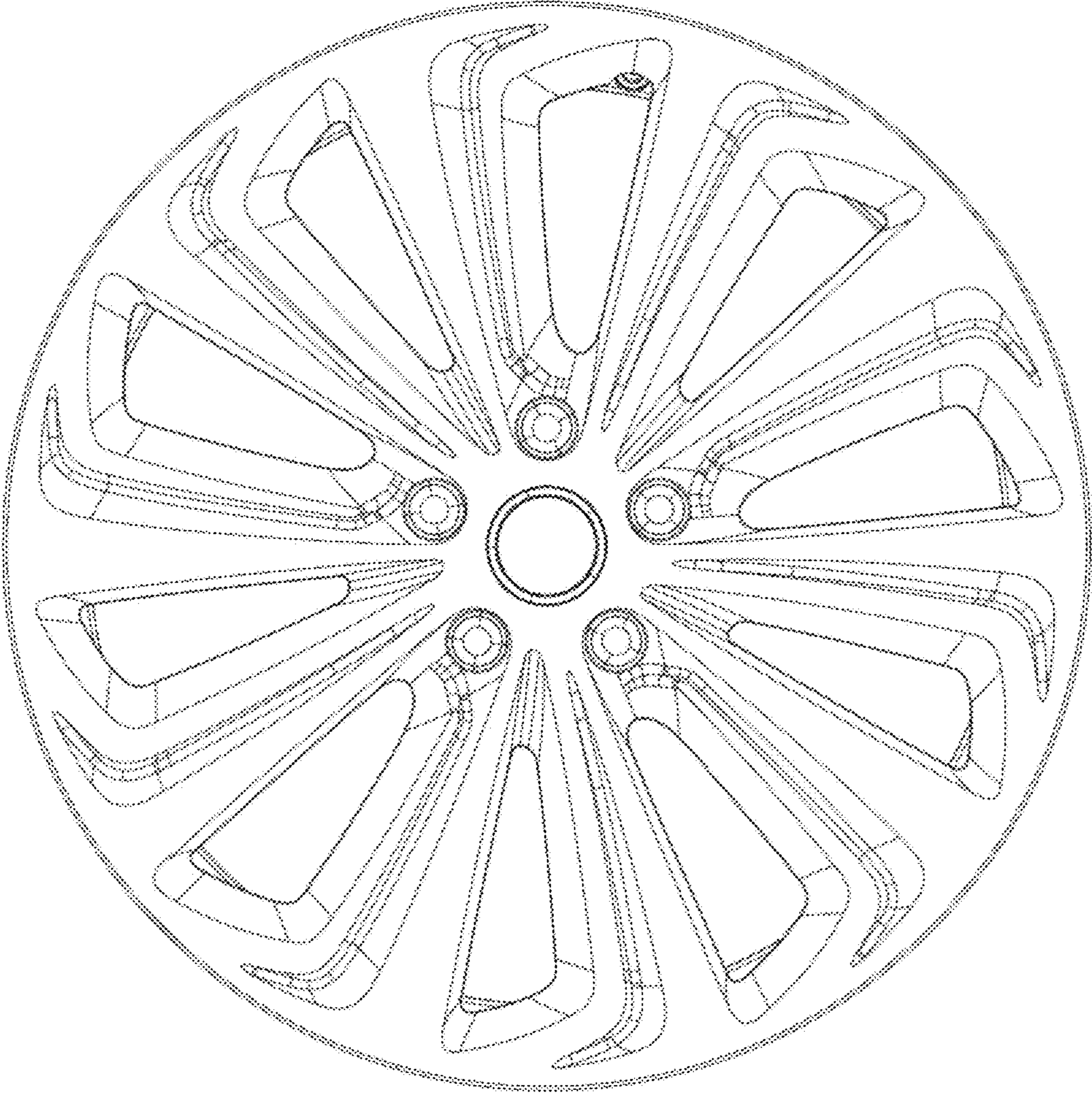


FIG. 2

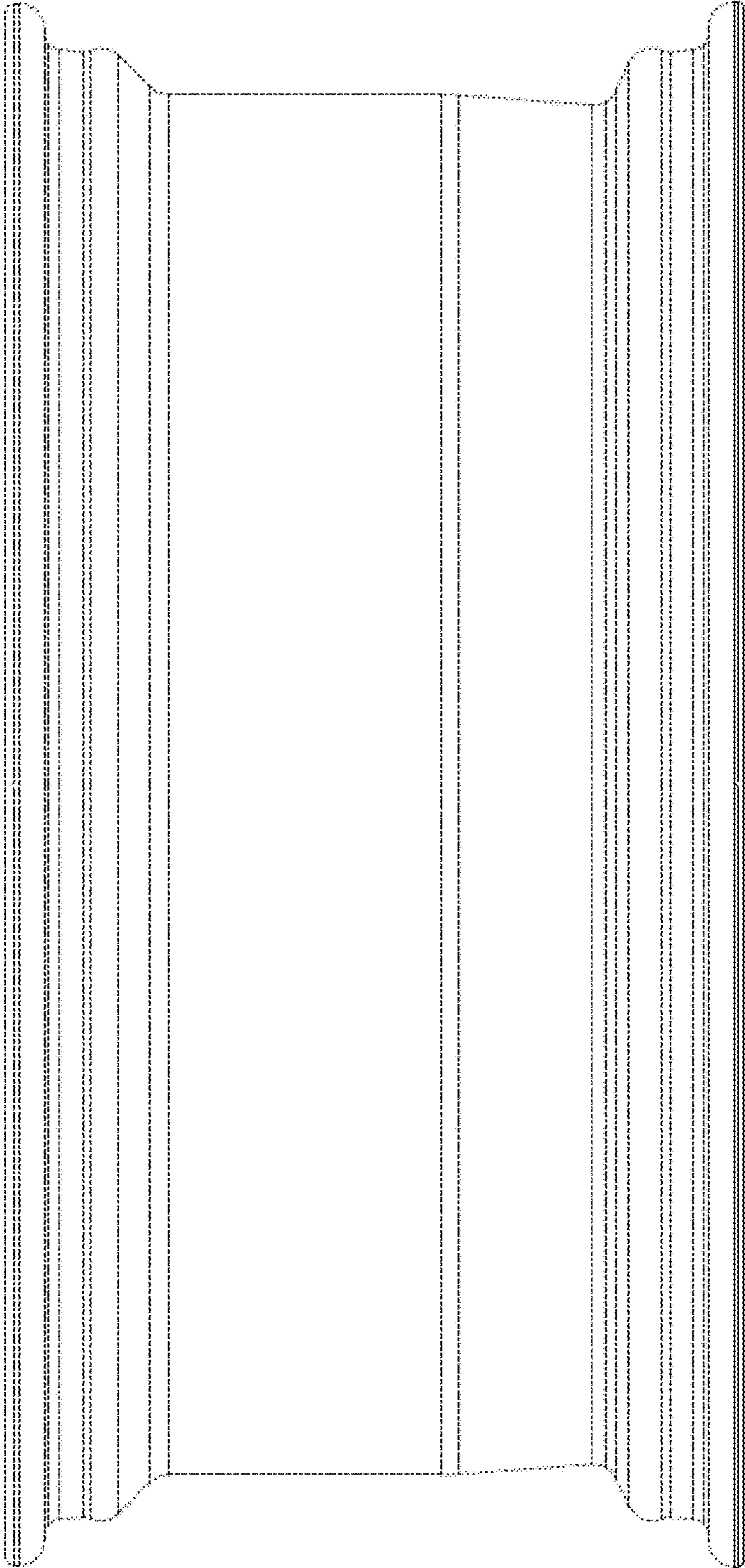


FIG. 3