



US00D855527S

(12) **United States Design Patent** (10) **Patent No.:** **US D855,527 S**  
**Buffery** (45) **Date of Patent:** **\*\* Aug. 6, 2019**

(54) **DOOR RELEASE**  
(71) Applicant: **Jaguar Land Rover Limited**, Whitley, Coventry (GB)  
(72) Inventor: **Martin Buffery**, Coventry (GB)  
(73) Assignee: **Jaguar Land Rover Limited**, Whitley, Coventry (GB)

(\*\*) Term: **15 Years**  
(21) Appl. No.: **29/603,236**

(22) Filed: **May 8, 2017**

(30) **Foreign Application Priority Data**

Nov. 11, 2016 (EM) ..... 003459536-0005  
Nov. 13, 2016 (EM) ..... 003460807-0006

(51) **LOC (12) Cl.** ..... **12-16**

(52) **U.S. Cl.**  
USPC ..... **D12/195**

(58) **Field of Classification Search**  
USPC ..... D12/195, 190, 184, 406, 412, 414, 169,  
D12/167, 400, 181, 163, 196, 183, 90, 91  
CPC ... B60R 13/02; B60R 13/0243; B60N 3/0246;  
B60J 5/04  
See application file for complete search history.

(56) **References Cited**

**U.S. PATENT DOCUMENTS**

D458,883 S \* 6/2002 Tsay ..... D12/195  
D493,399 S \* 7/2004 Schowalter ..... D12/195

D496,579 S \* 9/2004 Pfeiffer ..... D8/331  
D507,471 S \* 7/2005 Schowalter ..... D8/306  
D587,980 S \* 3/2009 Rosenbohm ..... D8/300  
D595,200 S \* 6/2009 Rosenbohm ..... D12/195  
D616,348 S \* 5/2010 Rosenbohm ..... D12/195  
D626,904 S \* 11/2010 Rosenbohm ..... D12/195  
D675,967 S \* 2/2013 Takizawa ..... D12/195  
D685,707 S \* 7/2013 Yu ..... D12/195  
D758,938 S \* 6/2016 Buffery ..... D12/195  
D758,939 S \* 6/2016 Barnes ..... D12/195  
2009/0121515 A1 \* 5/2009 Shiono ..... B60N 3/026  
296/146.6

\* cited by examiner

*Primary Examiner* — Susan E Krakower  
*Assistant Examiner* — Jerry Shiuian-Hua Hsu  
(74) *Attorney, Agent, or Firm* — Wood Herron & Evans LLP

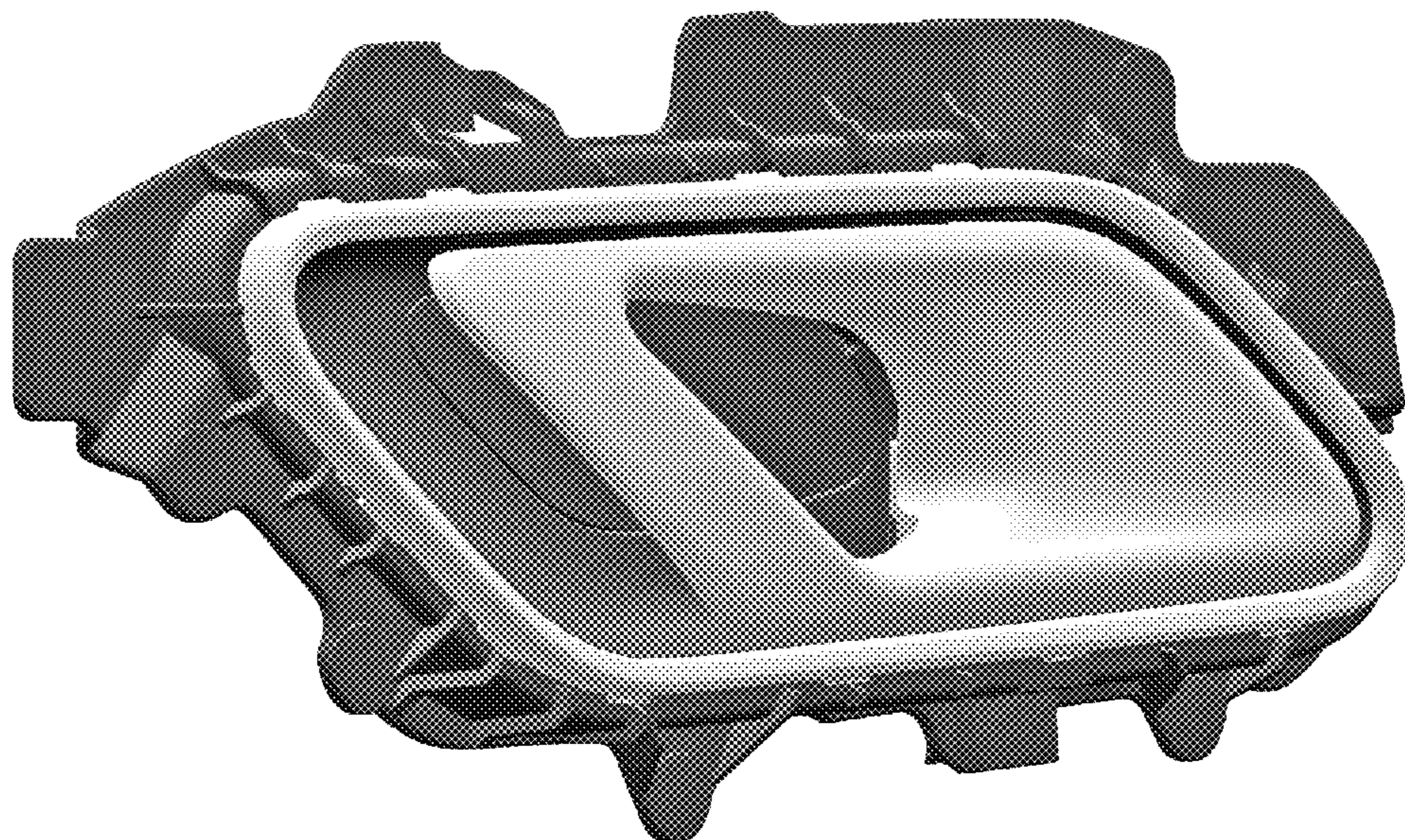
(57) **CLAIM**

The ornamental design for a door release, as shown and described.

**DESCRIPTION**

FIG. 1 is a left front perspective view of a door release for a vehicle according to the present invention.  
FIG. 2 is a front right perspective view thereof.  
FIG. 3 is a rear left perspective view thereof.  
FIG. 4 is a rear right perspective view thereof.  
FIG. 5 is a front view thereof.  
FIG. 6 is a rear view thereof.  
FIG. 7 is a left side view thereof.  
FIG. 8 is a right side view thereof.  
FIG. 9 is a top view thereof; and,  
FIG. 10 is a bottom view thereof.

**1 Claim, 8 Drawing Sheets**





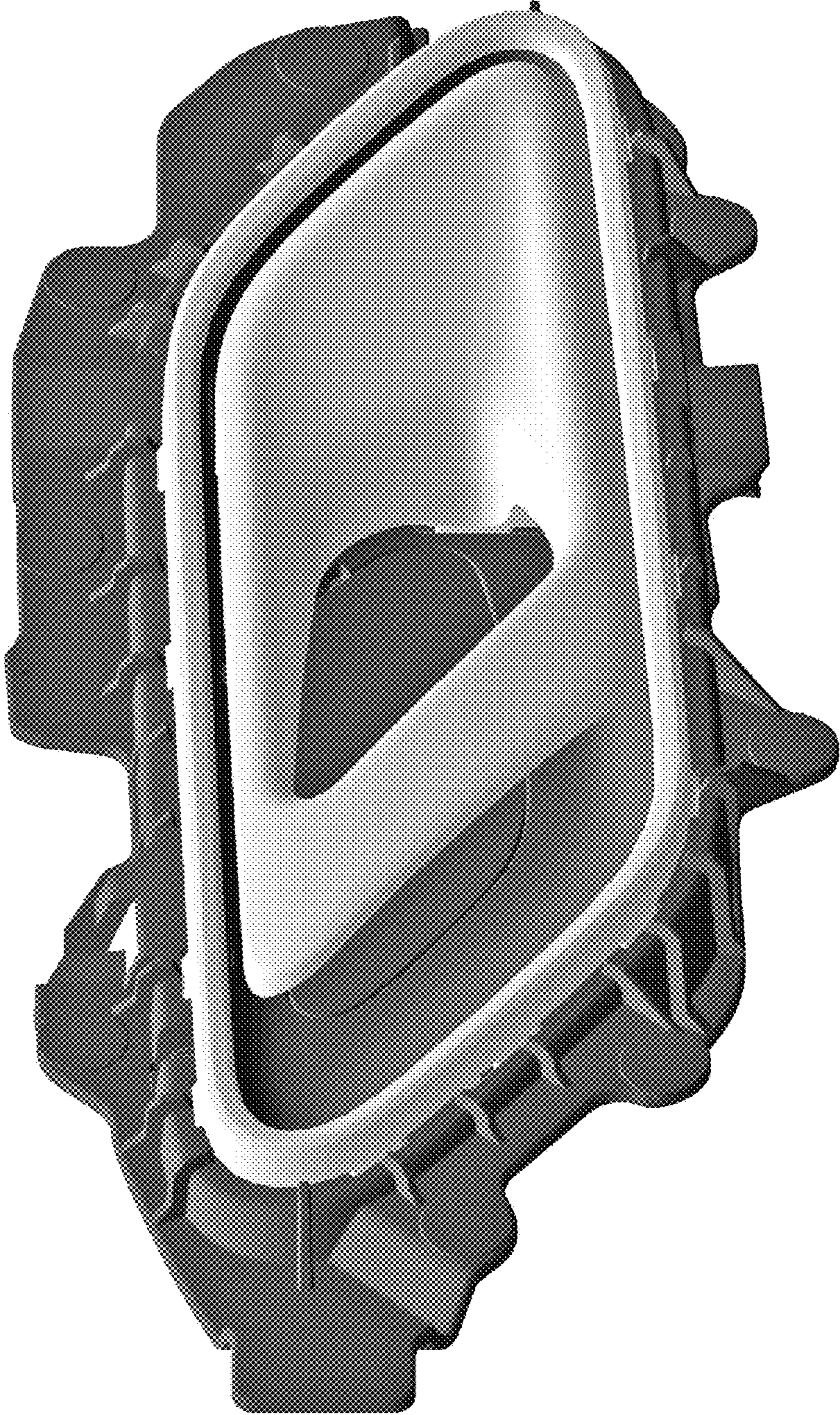


FIG. 1



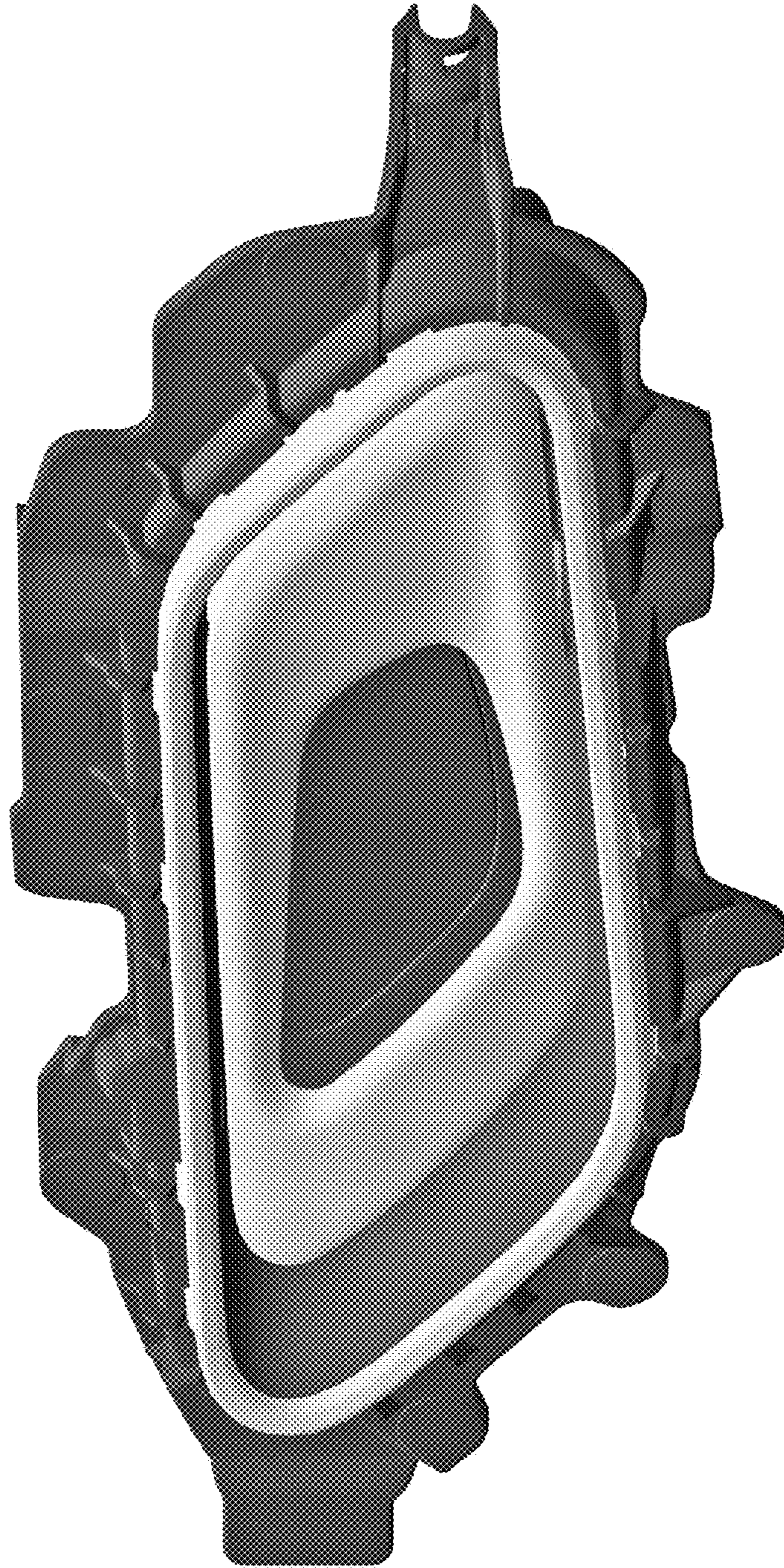


FIG. 2



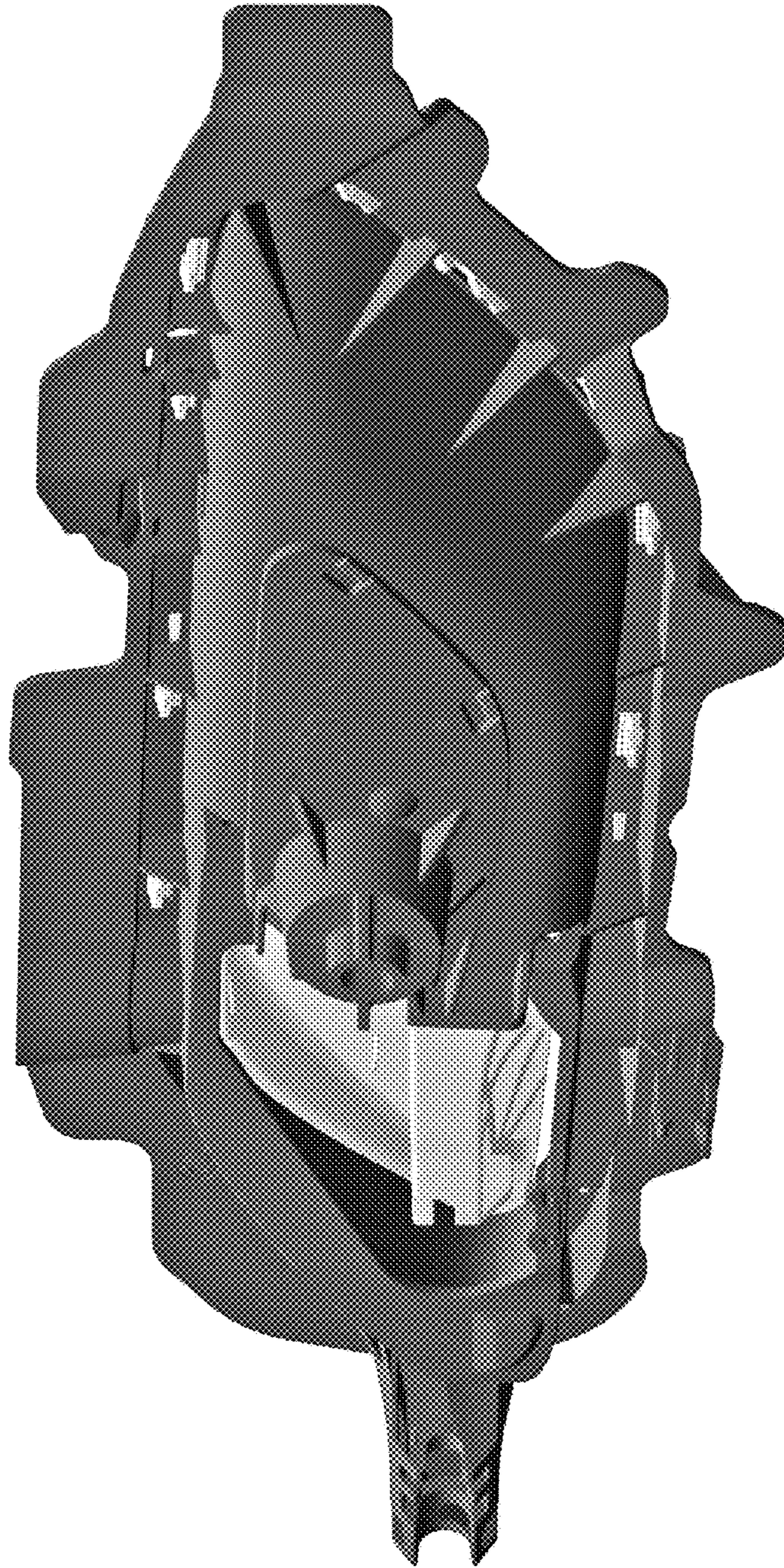


FIG. 3



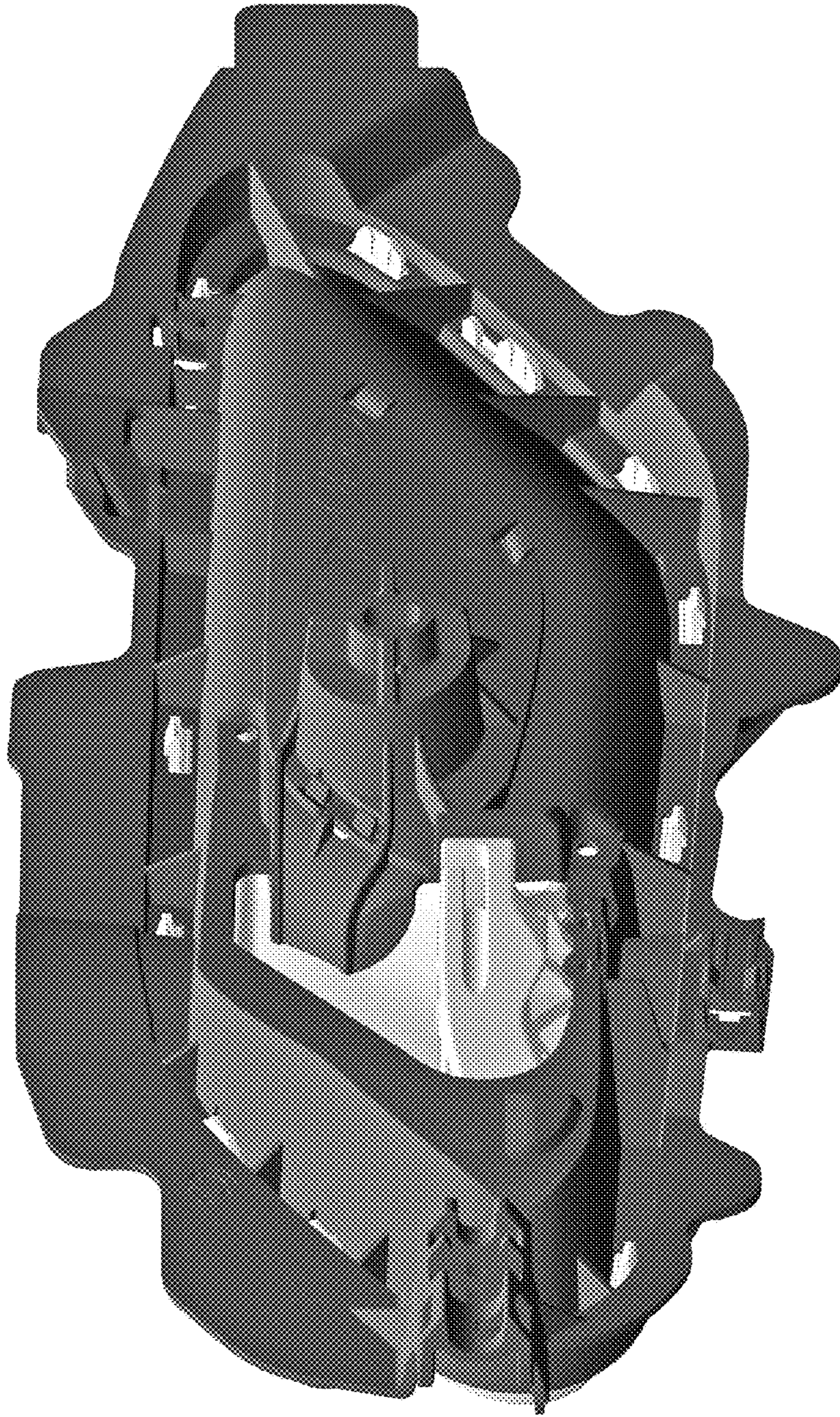


FIG. 4



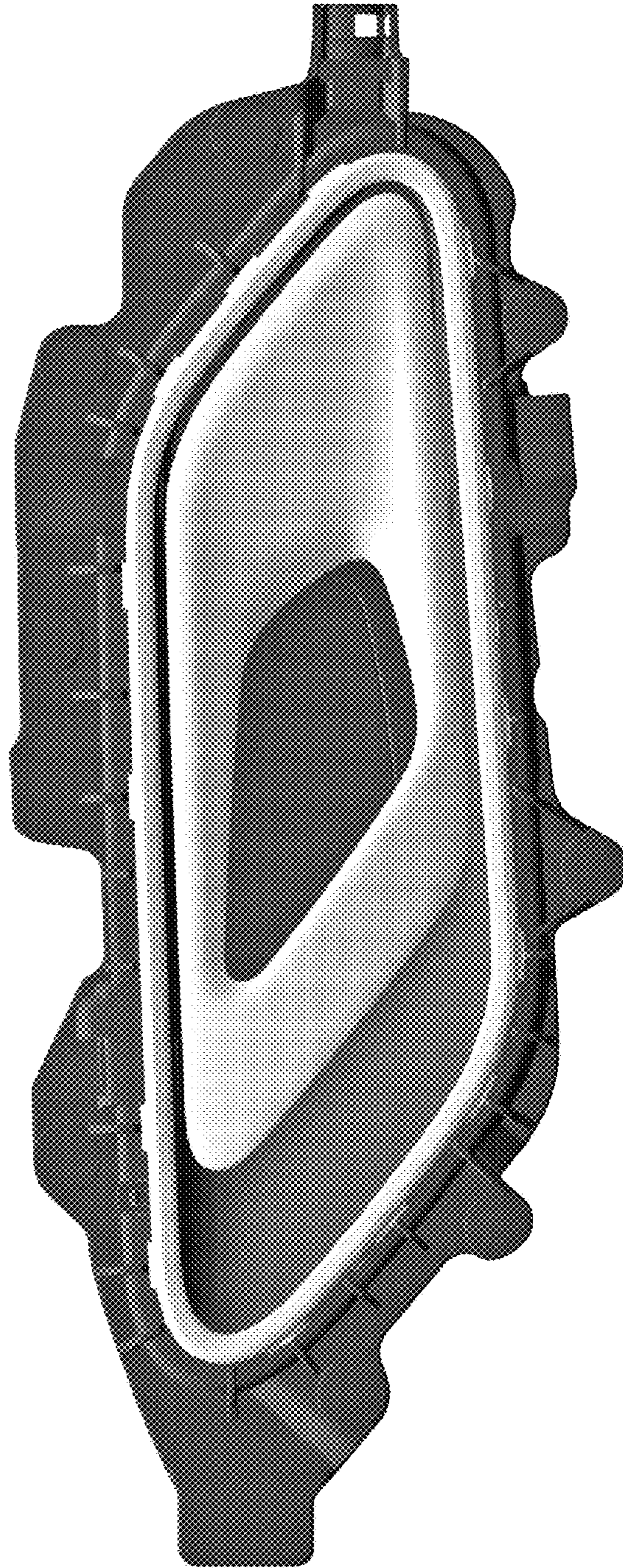


FIG. 5





FIG. 6



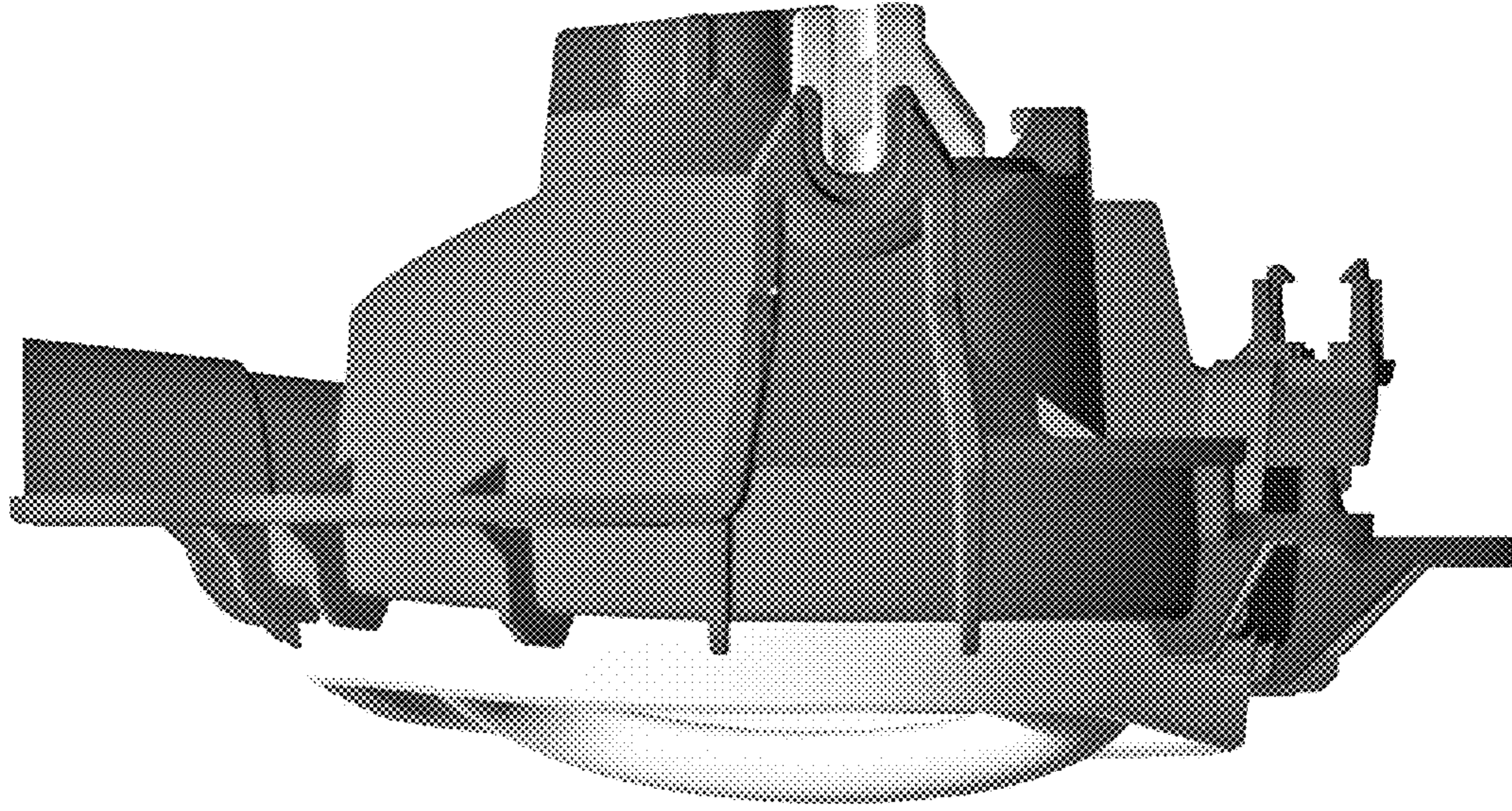


FIG. 7

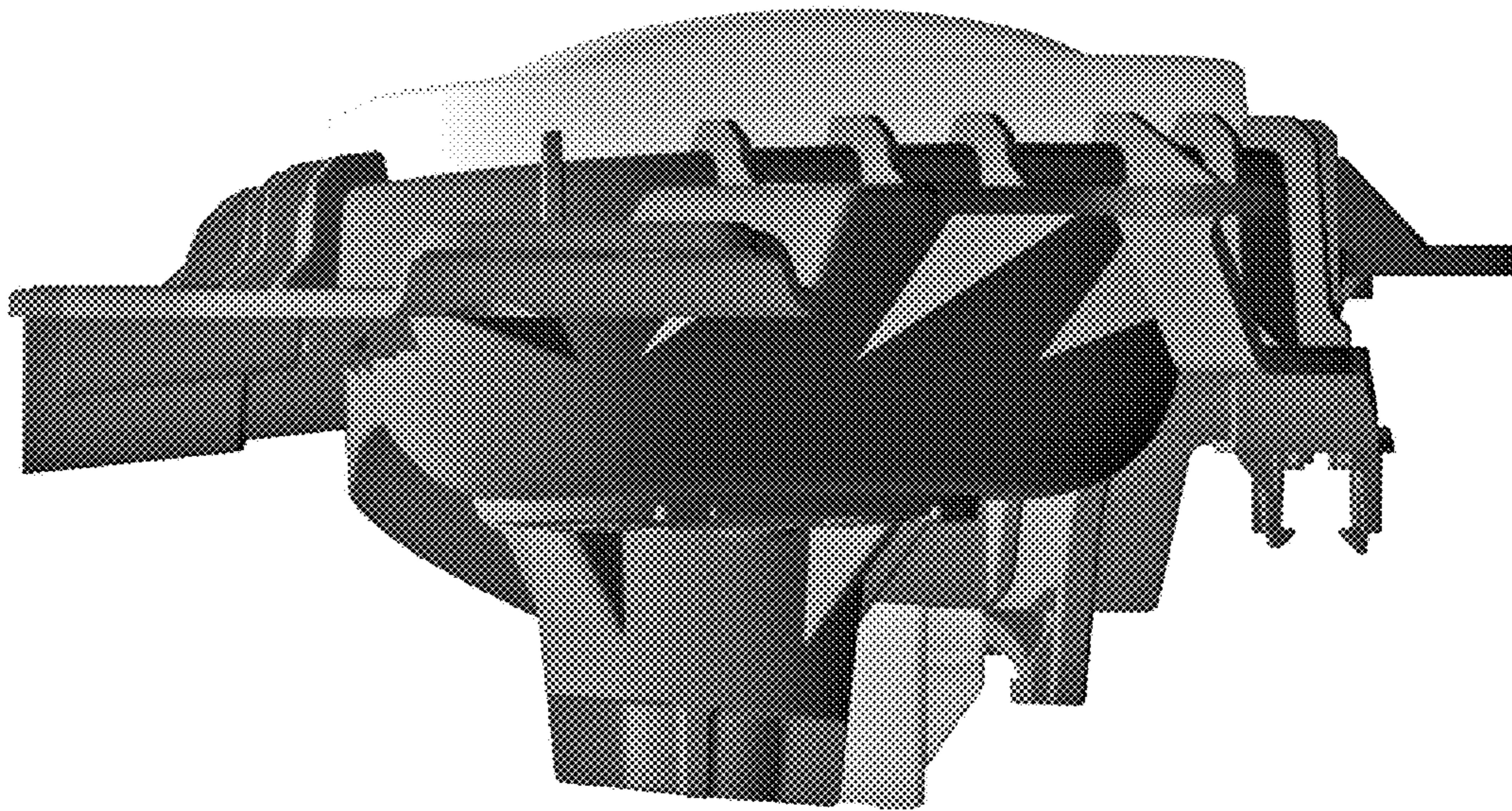


FIG. 8



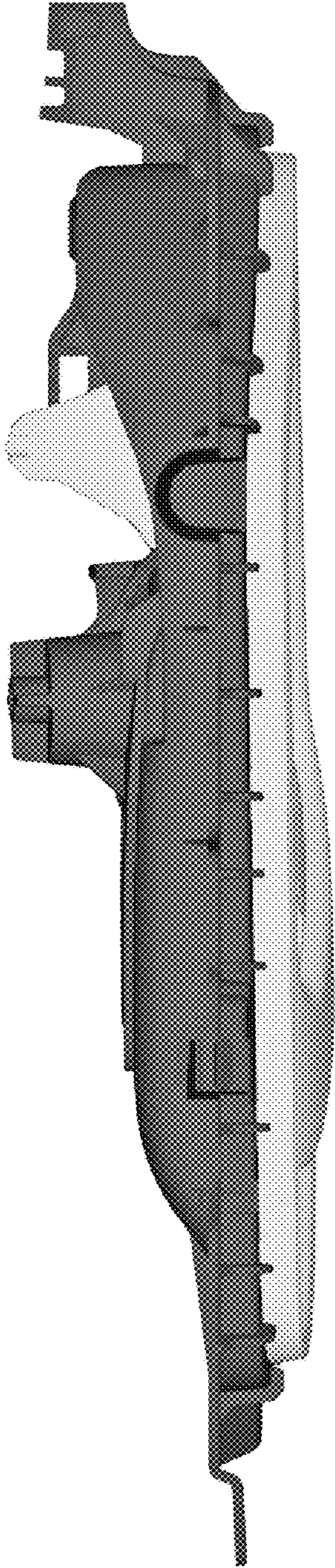


FIG. 9

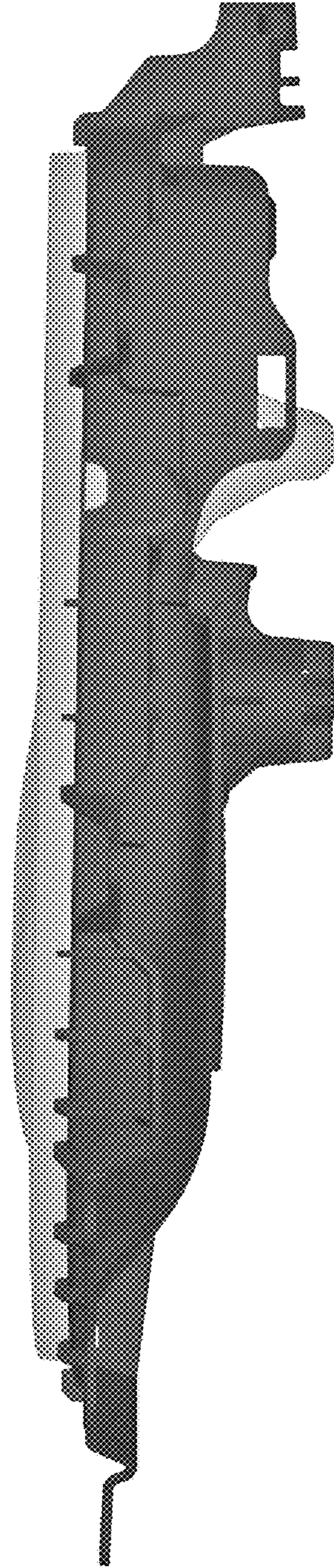


FIG. 10