



US00D855526S

(12) **United States Design Patent** (10) **Patent No.:** **US D855,526 S**
Summers (45) **Date of Patent:** **** Aug. 6, 2019**

- (54) **FLIGHT SIMULATOR PANEL**
- (71) Applicant: **Perfect Summers, LLC**, Fort Lauderdale, FL (US)
- (72) Inventor: **Marvin Summers**, Fort Lauderdale, FL (US)
- (73) Assignee: **PERFECT SUMMERS, LLC**, Fort Lauderdale, FL (US)
- (**) Term: **15 Years**
- (21) Appl. No.: **29/679,148**
- (22) Filed: **Feb. 1, 2019**
- (51) **LOC (12) Cl.** **12-16**
- (52) **U.S. Cl.**
USPC **D12/192**
- (58) **Field of Classification Search**
USPC D12/192, 415, 114, 345; D15/17, 28;
D10/46, 98, 102-103, 122-127; D23/324
See application file for complete search history.

D836,510 S * 12/2018 Nakai D12/192
D840,305 S * 2/2019 Chang D12/192
D843,288 S * 3/2019 Fontaeus D12/192

FOREIGN PATENT DOCUMENTS

WO DM/066 118 11/2004

OTHER PUBLICATIONS

Visual Flight Cockpit Panel for Saitek, http://www.mypilotstore.com/MyPilotStore/sep/13248?gclid=Cj0KCQiA-c_iBRChARIsAGCOpB33dAnhJR3KWe_S4WKPOSnnU5FaMYKxloe-Xs-jD-5RRI39JDa_xNgaAvx4EALw_wcB.

* cited by examiner

Primary Examiner — Katrina A Betton

(57) **CLAIM**

The ornamental design for a flight simulator panel, as shown and described.

DESCRIPTION

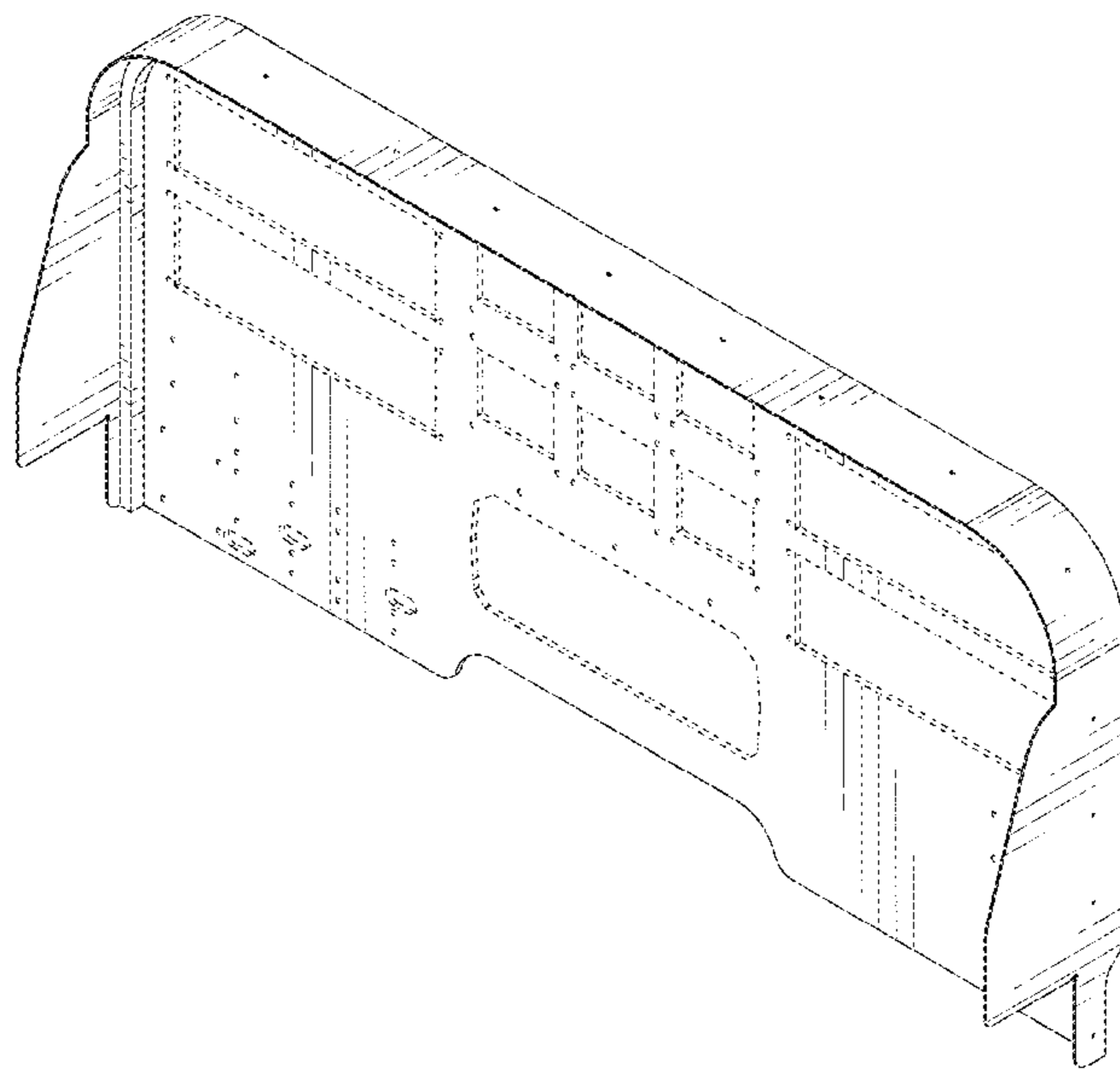
FIG. 1 is a front-top perspective view of a flight simulator panel showing my new design;
FIG. 2 is a front-bottom perspective view thereof;
FIG. 3 is a rear-top perspective view thereof;
FIG. 4 is a rear-bottom perspective view thereof;
FIG. 5 is a front elevational view thereof;
FIG. 6 is a rear elevational view thereof;
FIG. 7 is a right elevational view thereof with the left elevational view is mirrored thereto;
FIG. 8 is a top plan view thereof; and,
FIG. 9 is a bottom plan view thereof.
The broken lines showing a plurality of cut-outs and a plurality of mounting holes shown in FIGS. 1-9 are included for the purpose of showing environmental structure and form no part of the claimed design.

1 Claim, 9 Drawing Sheets

(56) **References Cited**

U.S. PATENT DOCUMENTS

D411,498 S	6/1999	Pourias	
D483,310 S	12/2003	Knecht	
6,702,229 B2	3/2004	Anderson et al.	
D493,395 S	7/2004	Hill et al.	
D602,931 S	10/2009	Kaner et al.	
D678,153 S	3/2013	Amante et al.	
D697,862 S *	1/2014	Nemeth	D12/192
D746,747 S	1/2016	Shapiro et al.	
D755,745 S *	5/2016	Williams	D14/126
D757,619 S *	5/2016	Da Silveira	D12/192
D758,108 S *	6/2016	Do	D6/678
D758,109 S *	6/2016	Do	D6/678
D773,375 S *	12/2016	Kasparian	D12/345
D826,814 S *	8/2018	Von Holzhausen	D12/192
D835,553 S *	12/2018	Barber	D12/192



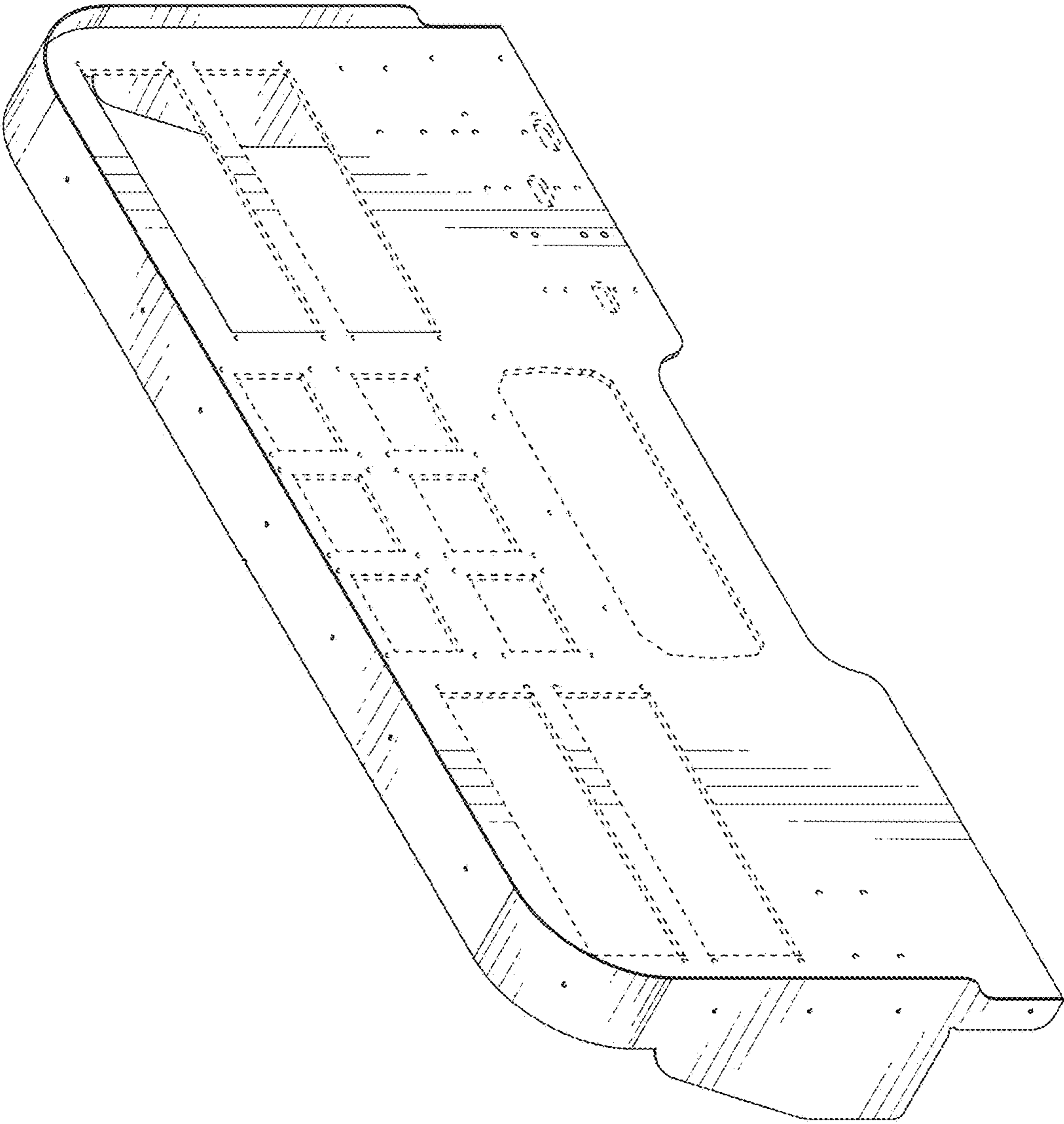


FIG. 1

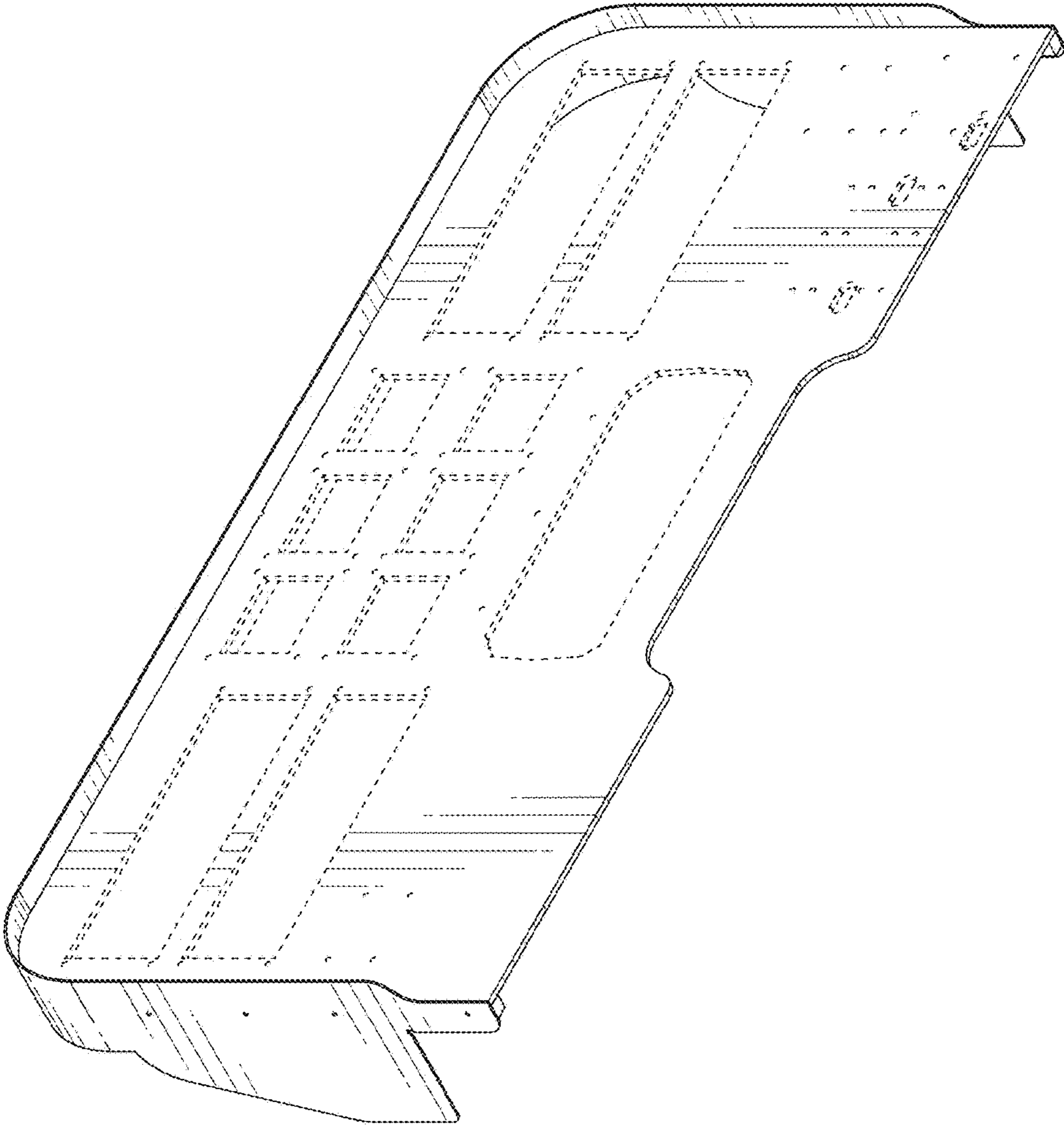


FIG. 2

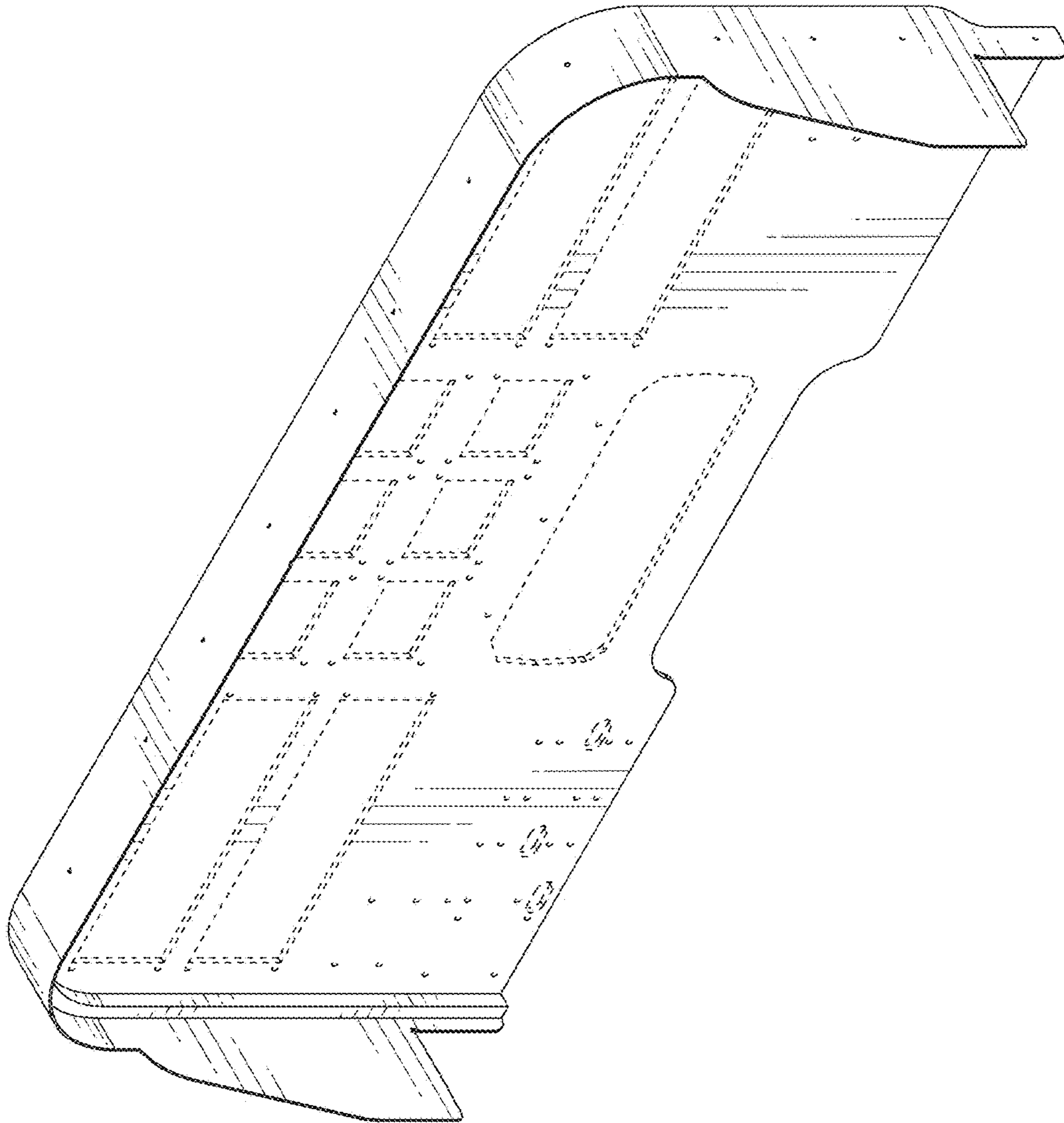


FIG. 3

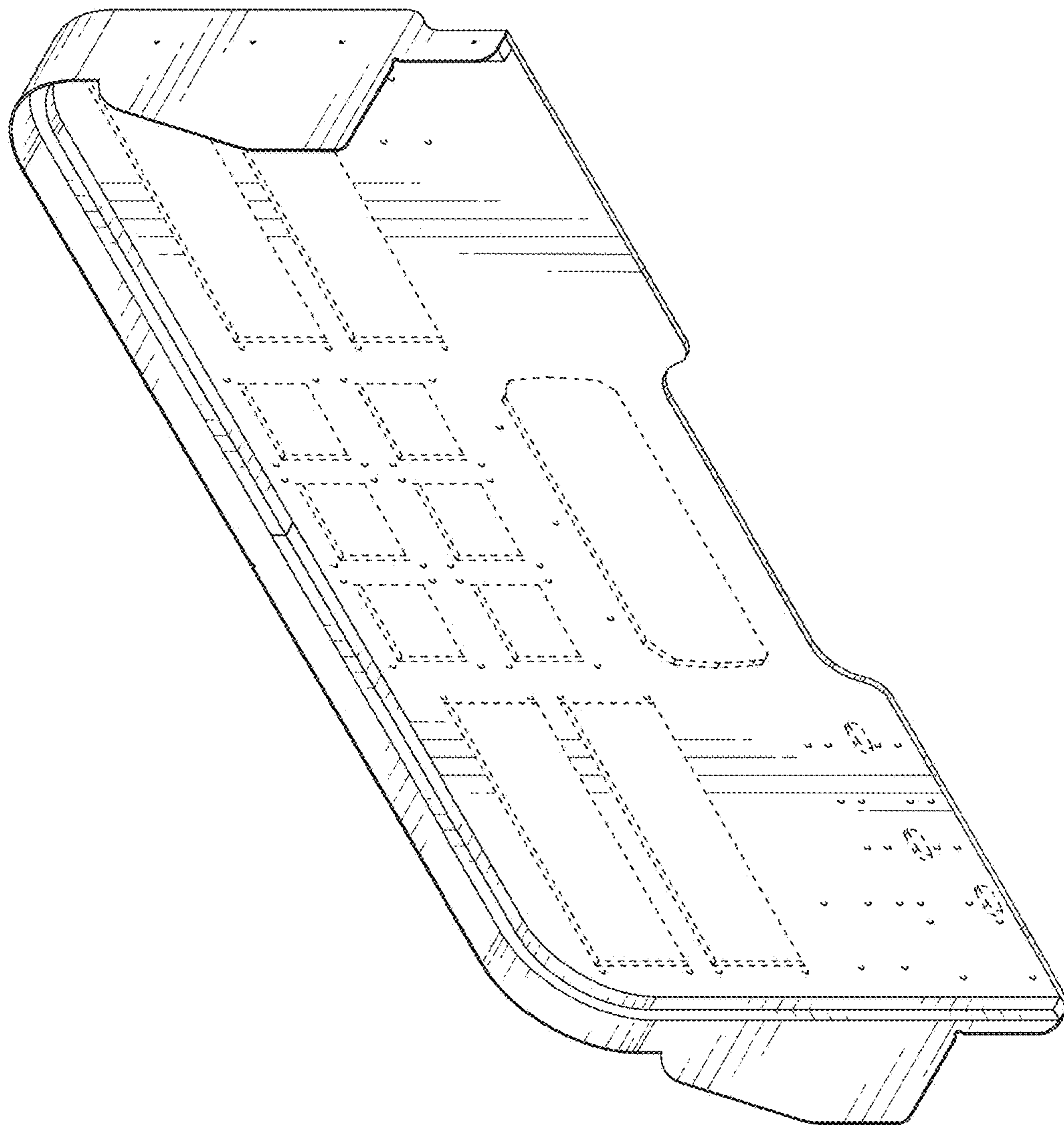


FIG. 4

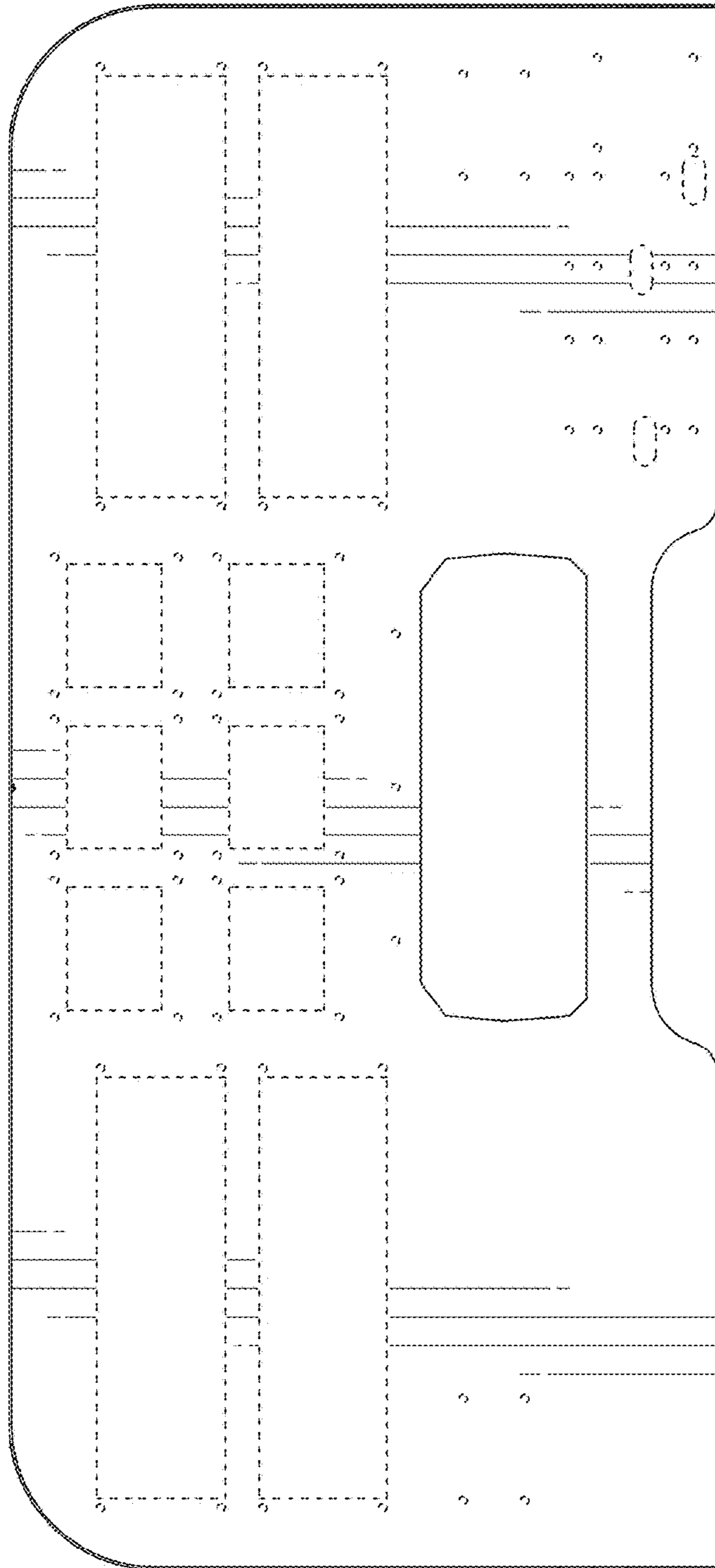


FIG. 5

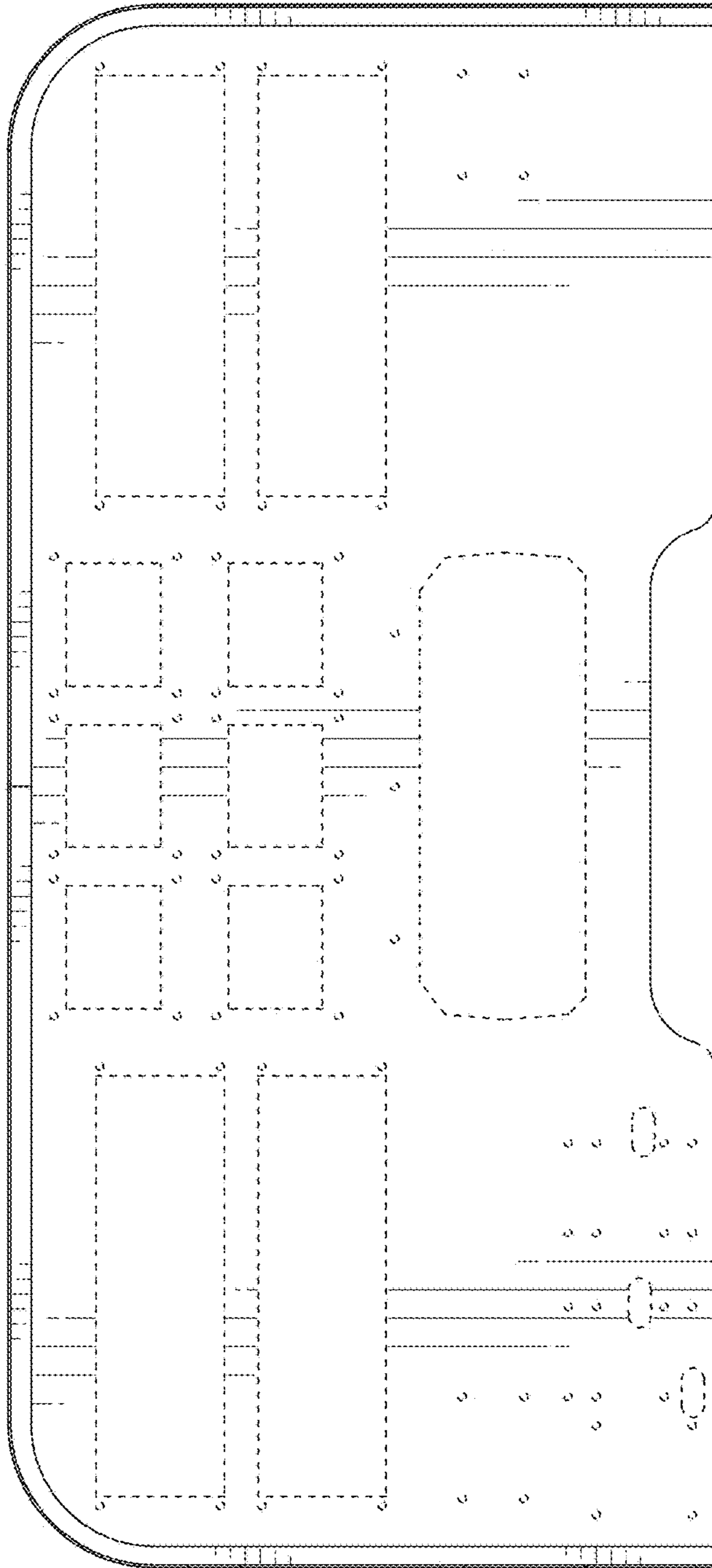


FIG. 6

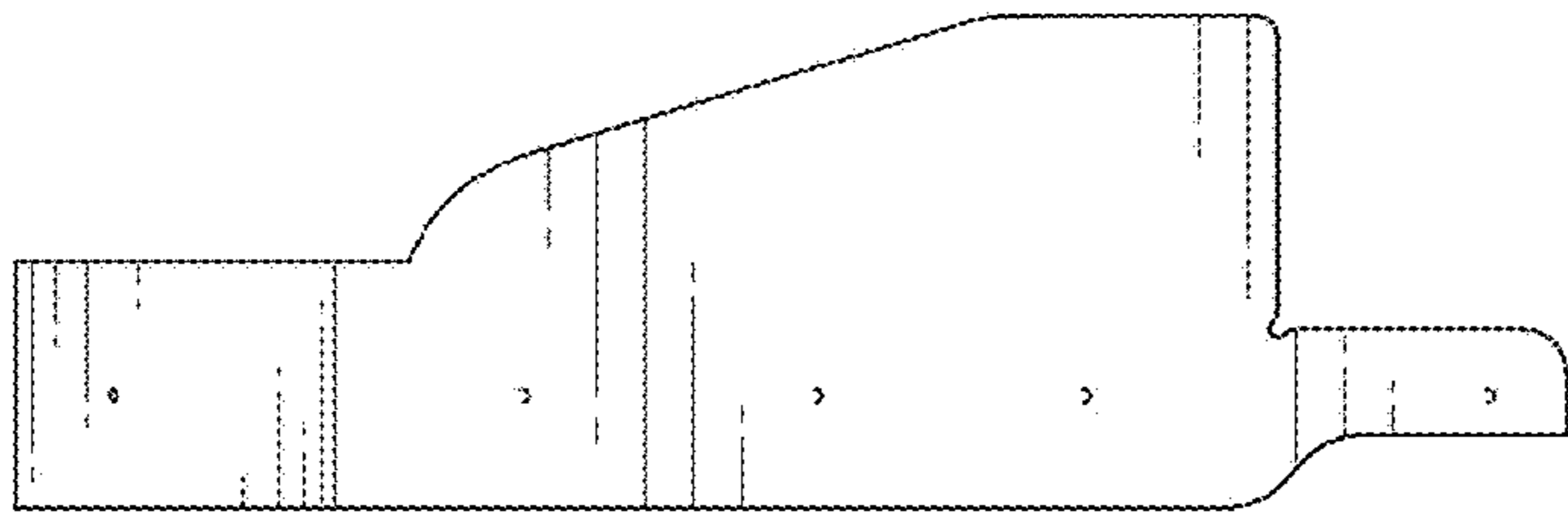


FIG. 7

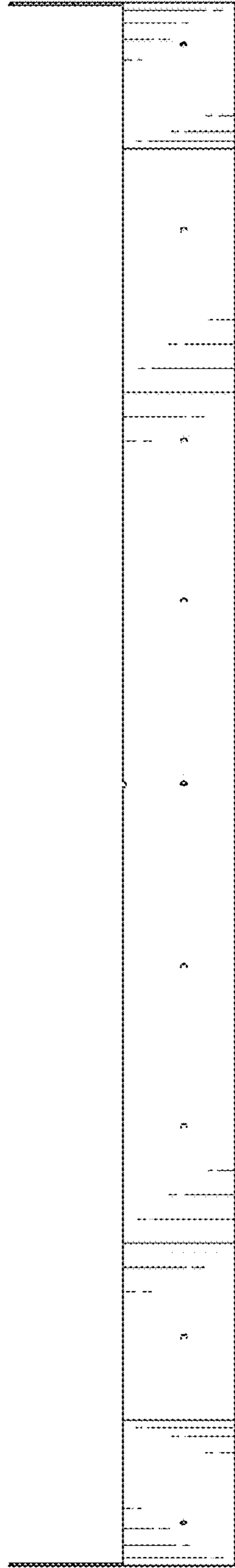


FIG. 8

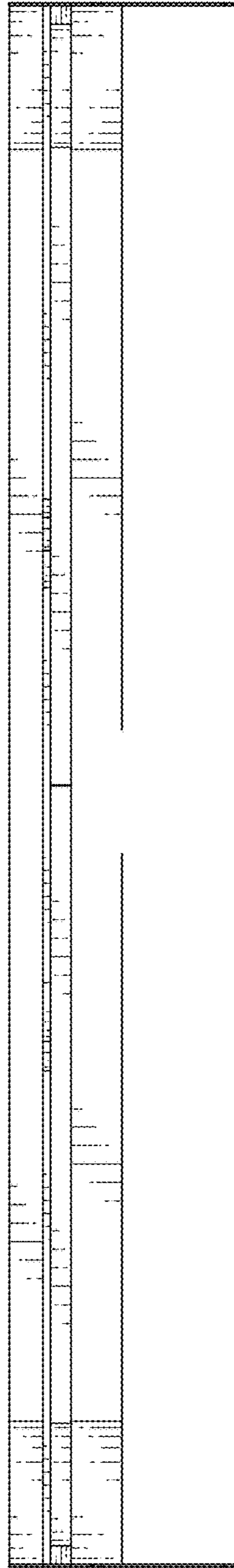


FIG. 9