



US00D855525S

(12) **United States Design Patent** (10) **Patent No.:** **US D855,525 S**
Schwartz et al. (45) **Date of Patent:** **** Aug. 6, 2019**

(54) **TRIM FOR AIRCRAFT PANELS**

(71) Applicant: **The Boeing Company**, Chicago, IL (US)

(72) Inventors: **Christopher R. Schwartz**, Snohomish, WA (US); **Phillip E. Pacini**, Bothell, WA (US)

(73) Assignee: **THE BOEING COMPANY**, Chicago, IL (US)

(**) Term: **15 Years**

(21) Appl. No.: **29/575,494**

(22) Filed: **Aug. 25, 2016**

(51) **LOC (12) Cl.** **12-08**

(52) **U.S. Cl.**
USPC **D12/190**

(58) **Field of Classification Search**
USPC D12/190, 345, 92, 195, 400, 90, 91, 199, D12/197, 86, 171, 169, 163, 110, 114;
(Continued)

(56) **References Cited**

U.S. PATENT DOCUMENTS

D610,521 S 2/2010 Pirie et al.
D638,341 S * 5/2011 Schuephaus D12/345
(Continued)

Primary Examiner — Katrina A Betton

(74) *Attorney, Agent, or Firm* — Hanley, Flight & Zimmerman, LLC

(57) **CLAIM**

The ornamental design for trim for aircraft panels, as shown and described.

DESCRIPTION

FIG. 1 is a perspective view of a trim for aircraft panels.
FIG. 2 is a partial, enlarged view of FIG. 1.

FIG. 3 is a front view of the trim for aircraft panels of FIG. 1.

FIG. 4 is a rear view of the trim for aircraft panels of FIG. 1.

FIG. 5 is a left side view of the trim for aircraft panels of FIG. 1.

FIG. 6 is a right side view of the trim for aircraft panels of FIG. 1.

FIG. 7 is a top view of the trim for aircraft panels of FIG. 1.

FIG. 8 is a bottom view of the trim for aircraft panels of FIG. 1.

FIG. 9 is a left side, bottom perspective view of the trim for aircraft panels of FIG. 1.

FIG. 10 is a partial, enlarged view of FIG. 9.

FIG. 11 is a right side, bottom perspective view of the trim for aircraft panels of FIG. 1.

FIG. 12 is a partial, enlarged view of FIG. 11.

FIG. 13 is a rear perspective view of the trim for aircraft panels of FIG. 1.

FIG. 14 is a partial, enlarged view of FIG. 13.

FIG. 15 is a top perspective view of the trim for aircraft panels of FIG. 1.

FIG. 16 is a bottom perspective view of the trim for aircraft panels of FIG. 1.

FIG. 17 is a perspective view of the trim for aircraft panels of FIG. 1 shown coupled to panels of an aircraft

FIG. 18 is a partial, enlarged view of FIG. 17.

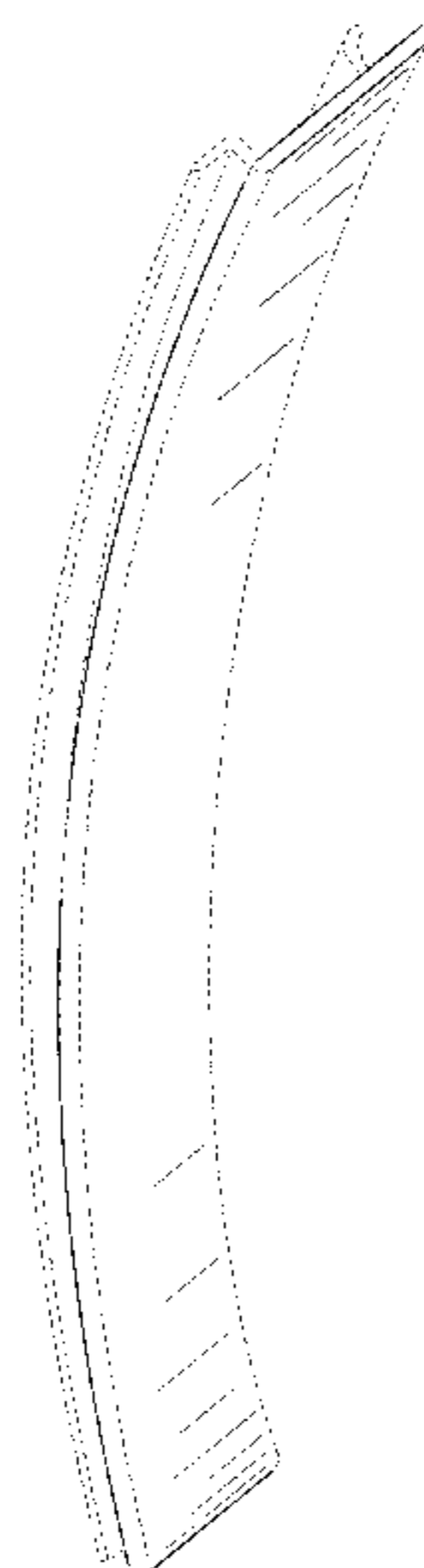
FIG. 19 is a rear view of FIG. 17.

FIG. 20 is a bottom perspective view of FIG. 17; and,

FIG. 21 is an enlarged top partial view of FIG. 17.

The breaks in the drawings illustrate no specific length. The breaks indicate that the trim for aircraft panels can have varies lengths without departing from the scope of this invention. The features shown in broken lines form no part of the claimed design. The features shown in broken lines are for illustrative purposes only or show environment.

1 Claim, 13 Drawing Sheets



(58) **Field of Classification Search**

USPC D6/334–336, 356, 357, 360–361,
D6/367–368, 381, 643, 716, 716.1–716.5
CPC B60N 2/4693; B64C 1/14; B64C 1/1484
See application file for complete search history.

(56) **References Cited**

U.S. PATENT DOCUMENTS

D654,008	S	*	2/2012	Stevens	D12/345
D688,194	S	*	8/2013	Robinson	D12/345
D697,862	S	*	1/2014	Nemeth	D12/192
D711,305	S	*	8/2014	Pirie	D12/345
D719,895	S	*	12/2014	Fisette	D12/345
D730,265	S	*	5/2015	Aruga	D12/345
D731,950	S	*	6/2015	Fisette	D12/345
D743,322	S	*	11/2015	Zuber	D12/345

* cited by examiner



FIG. 1

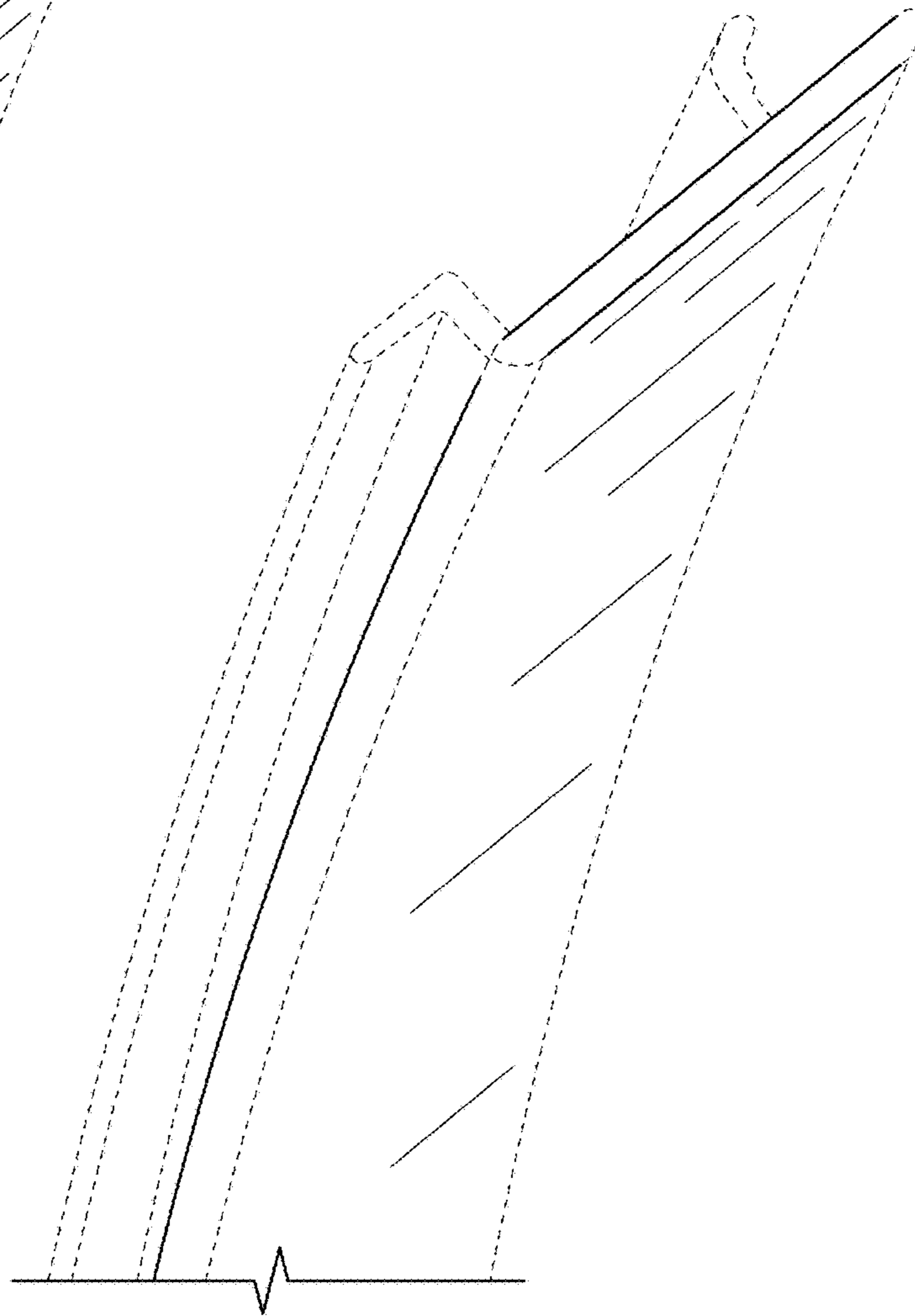


FIG. 2

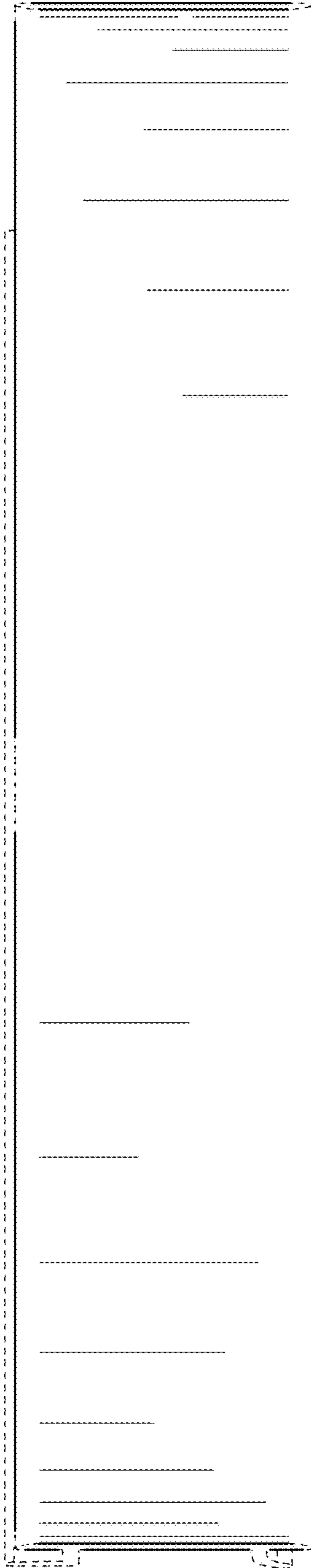


FIG. 3

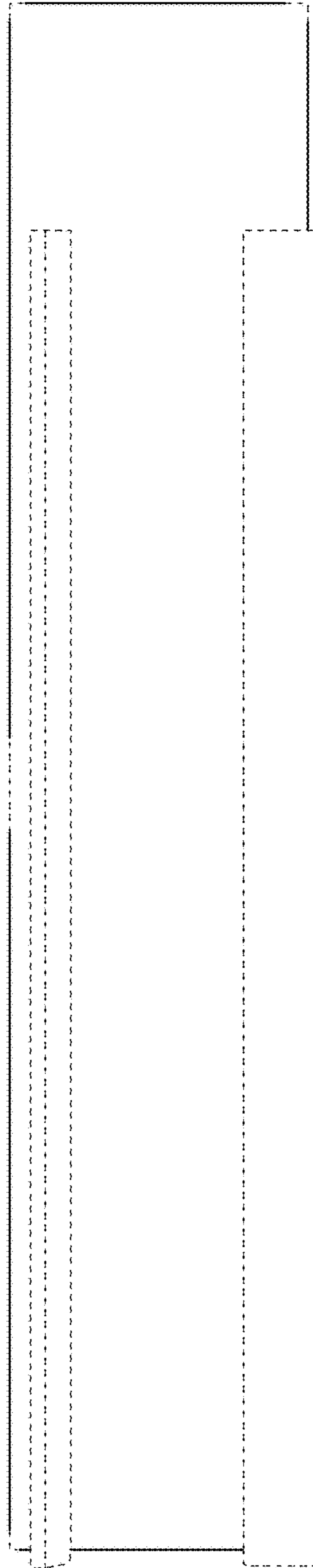


FIG. 4

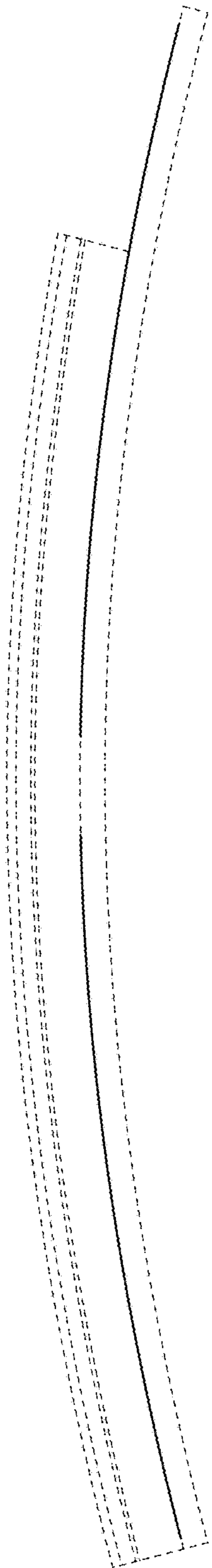


FIG. 5

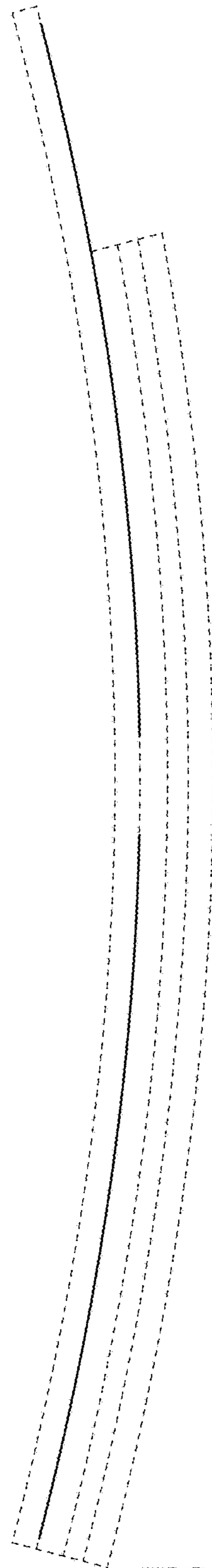


FIG. 6

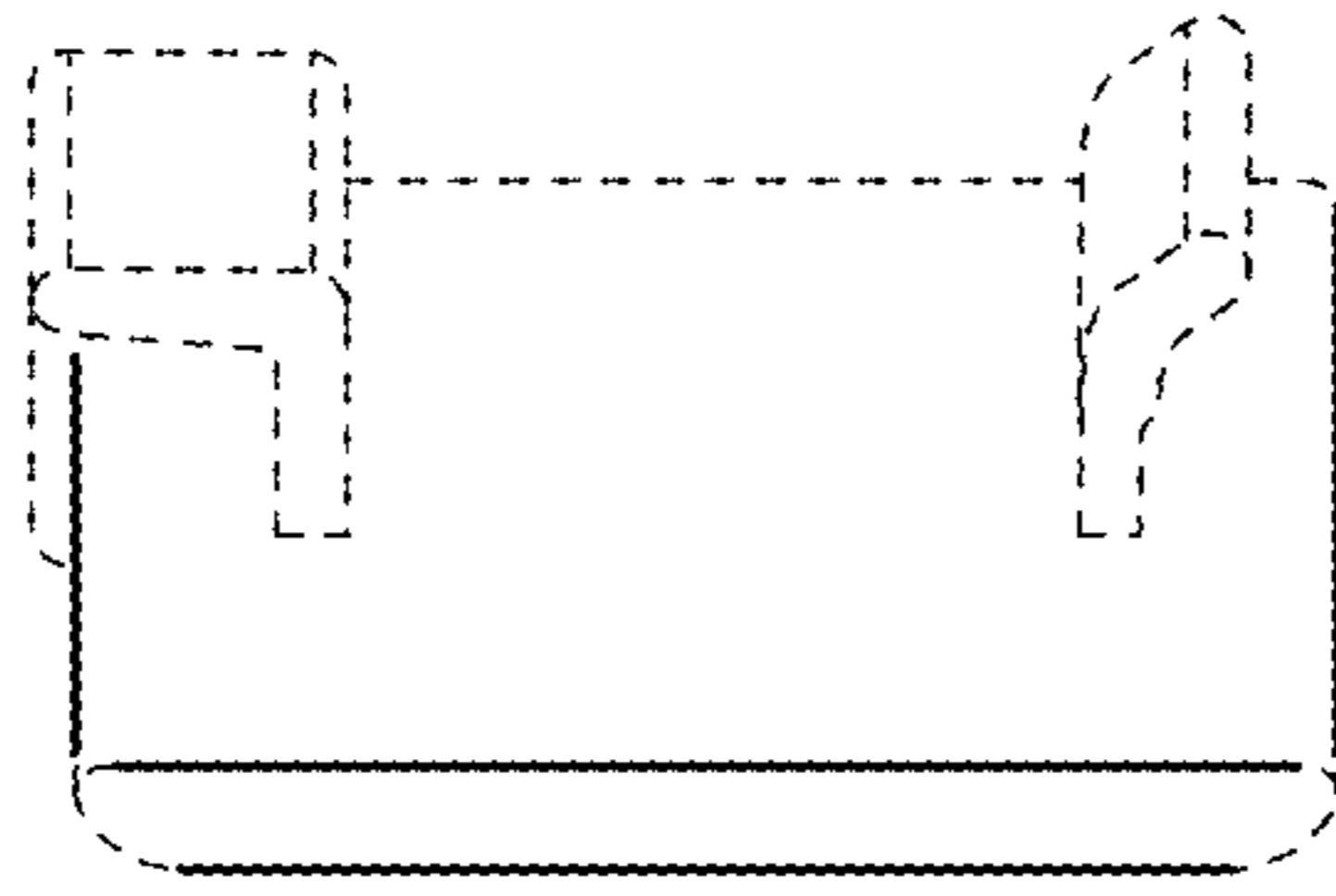


FIG. 7

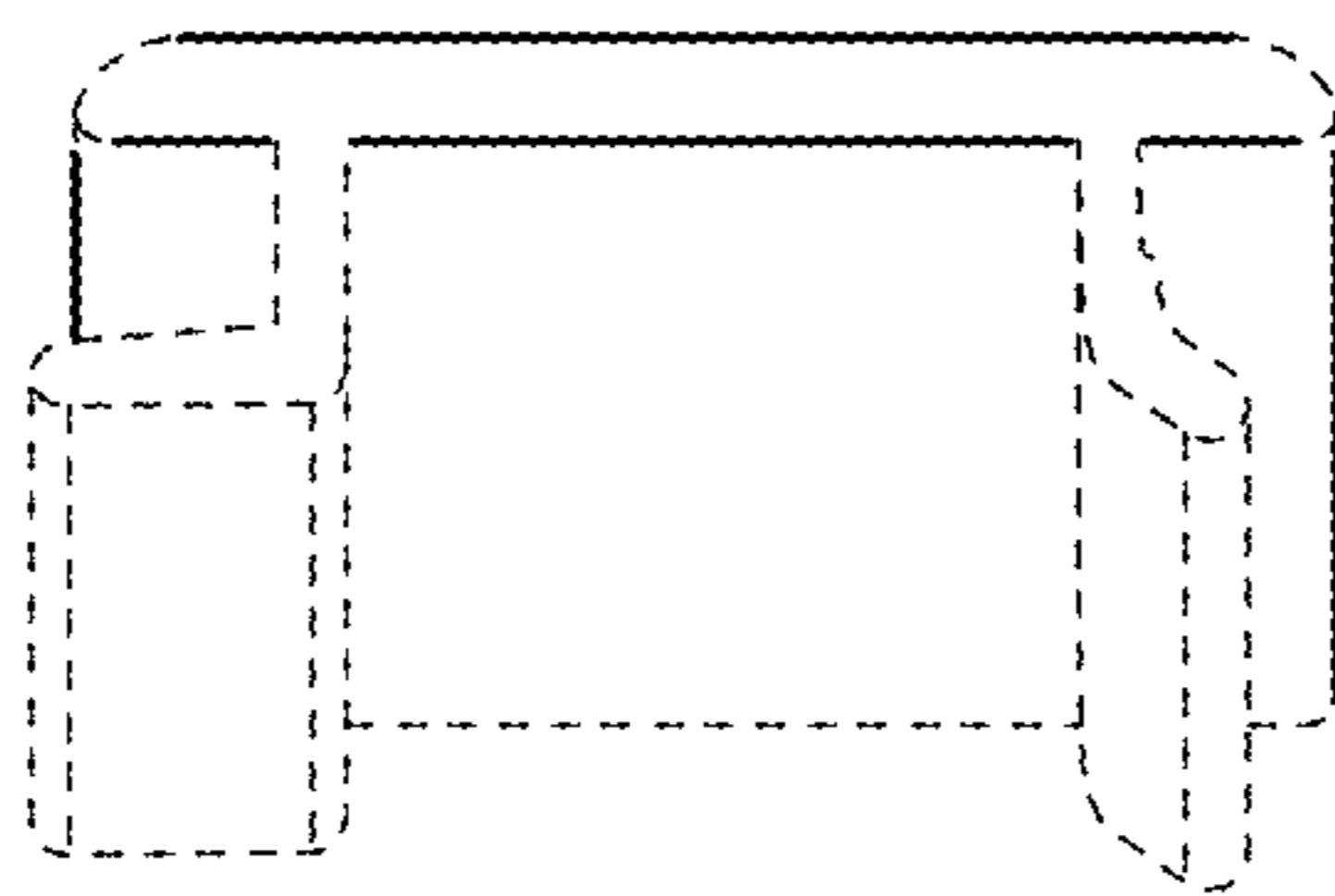
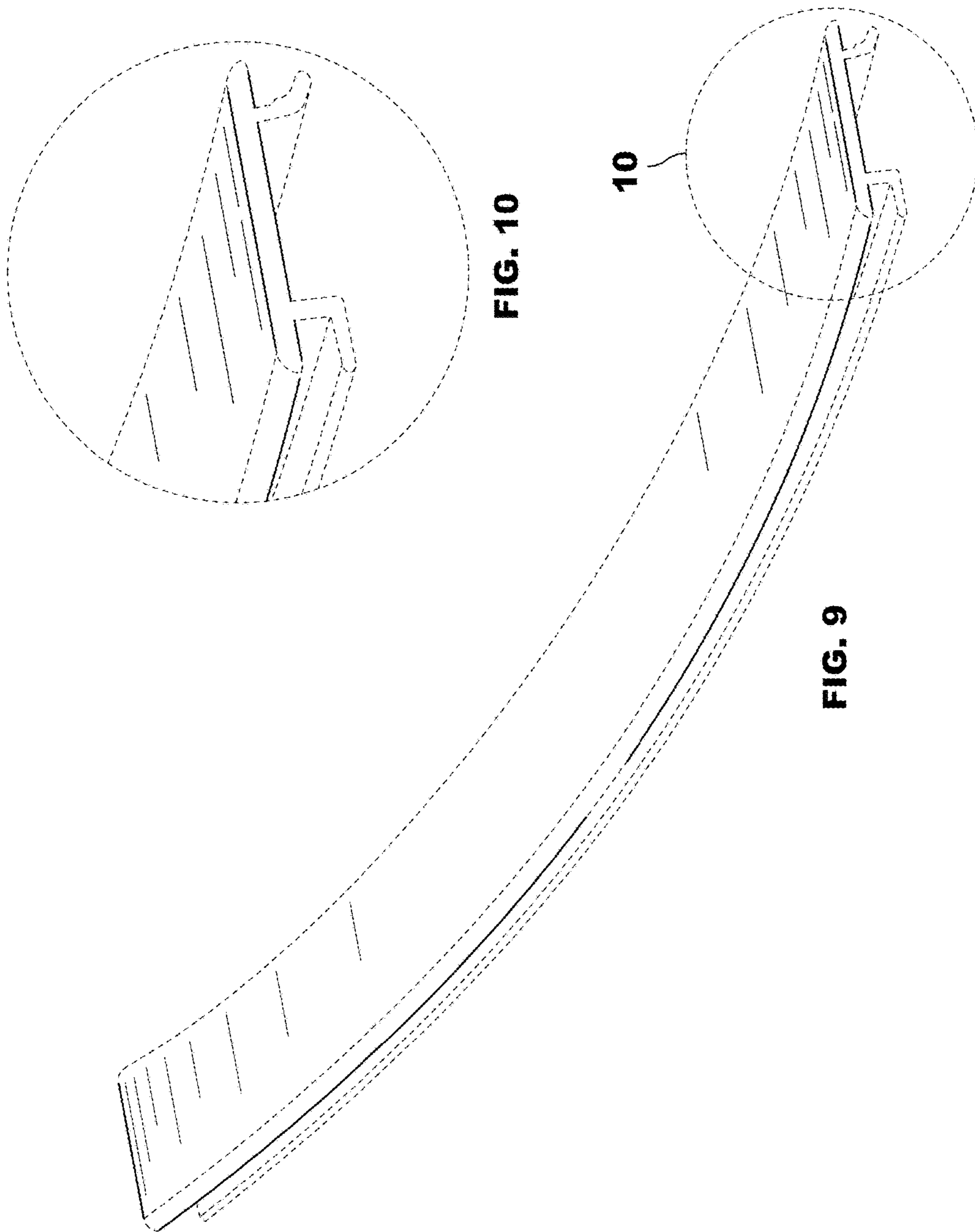
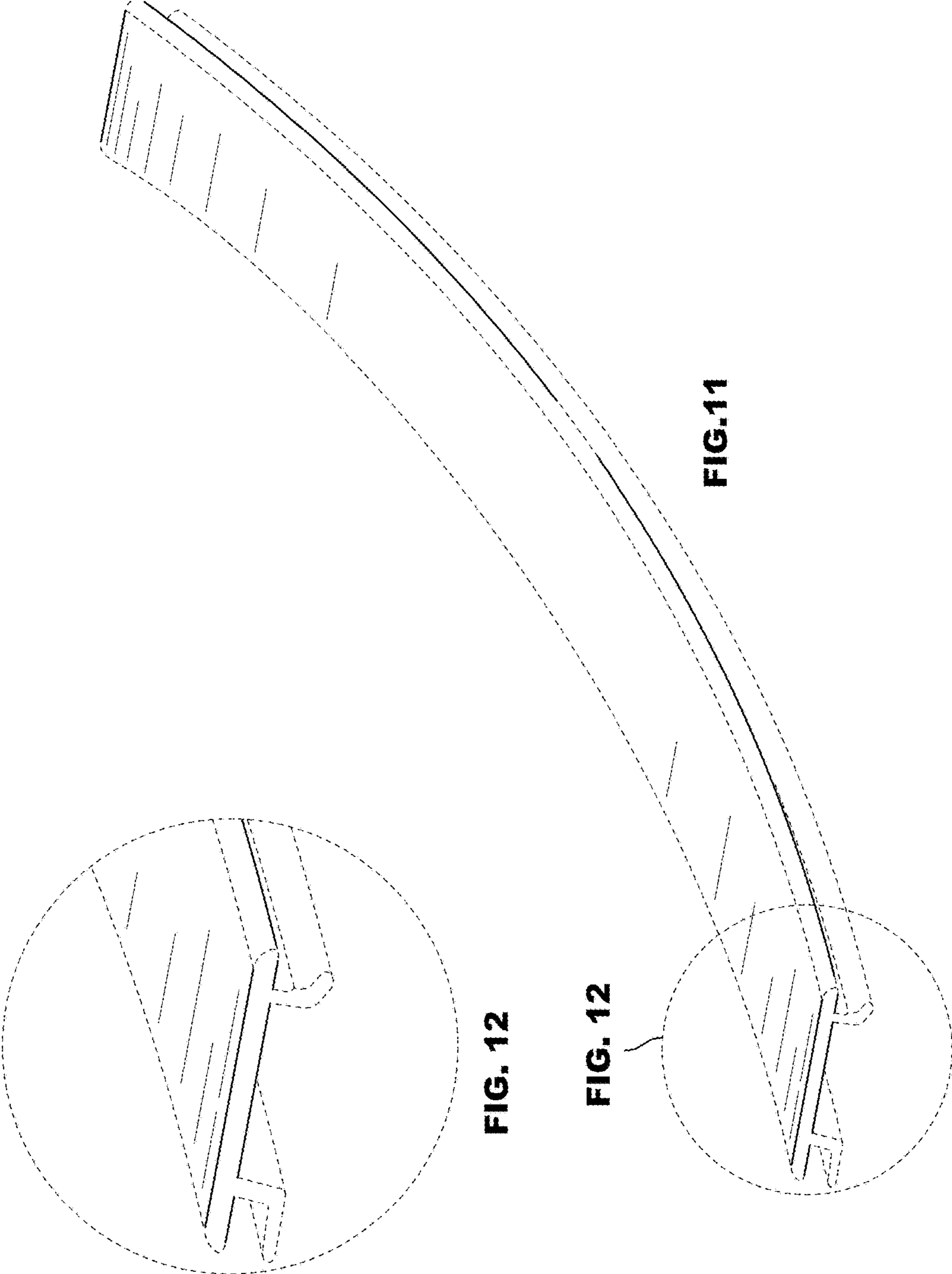
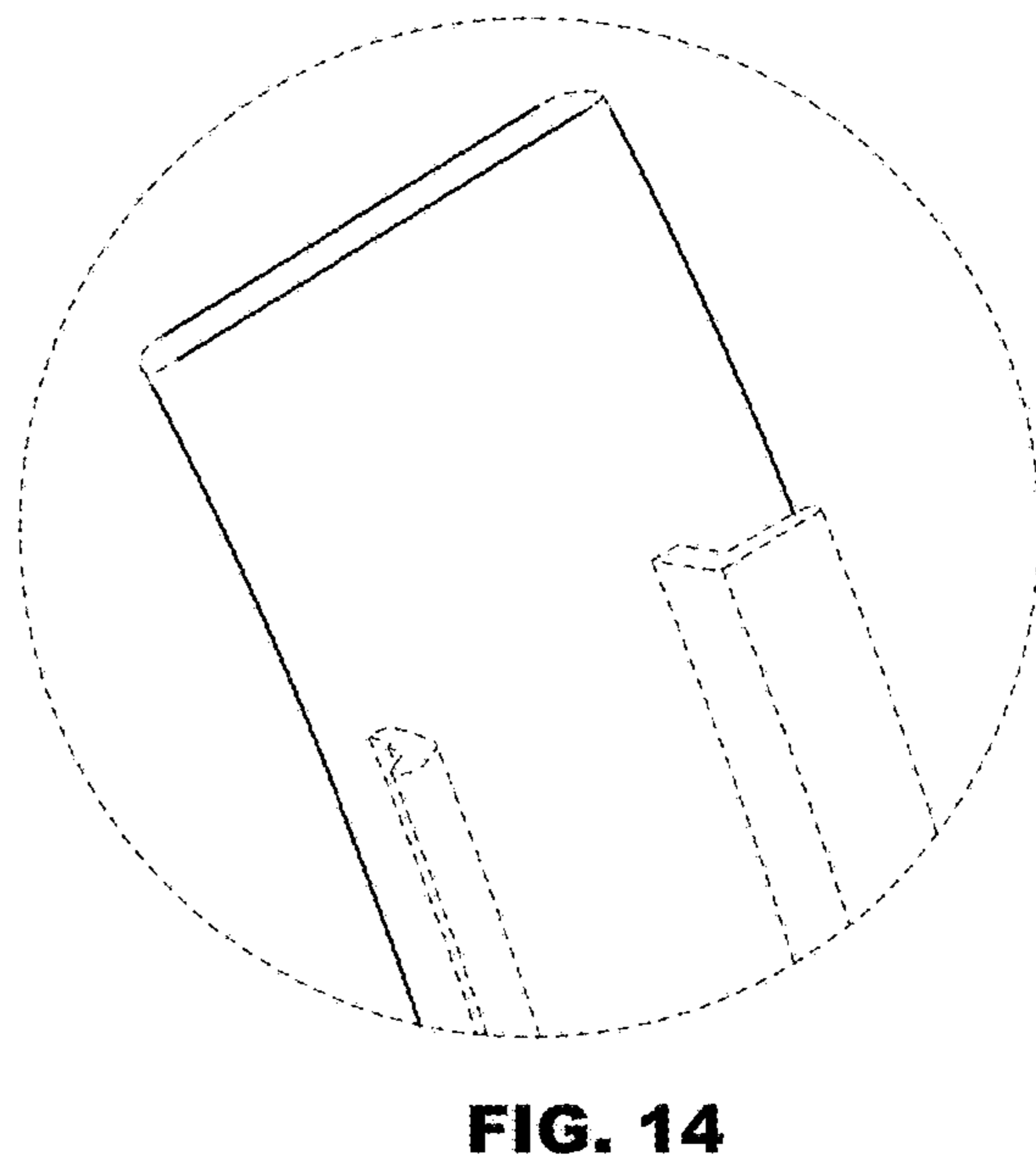
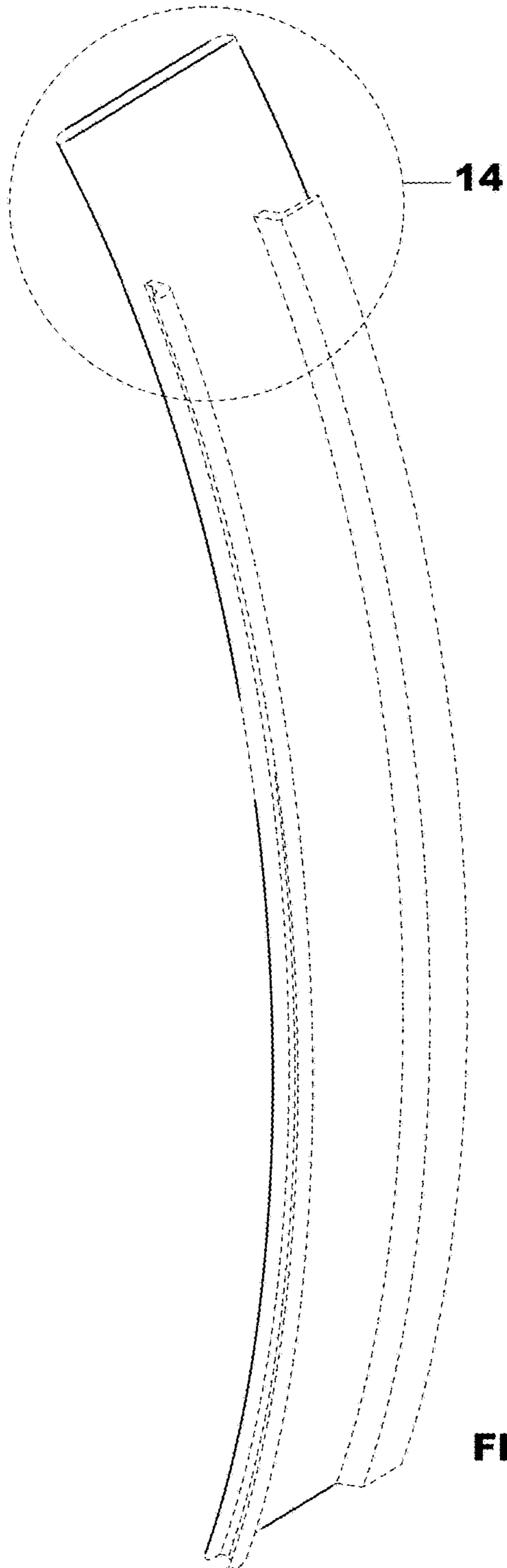


FIG. 8







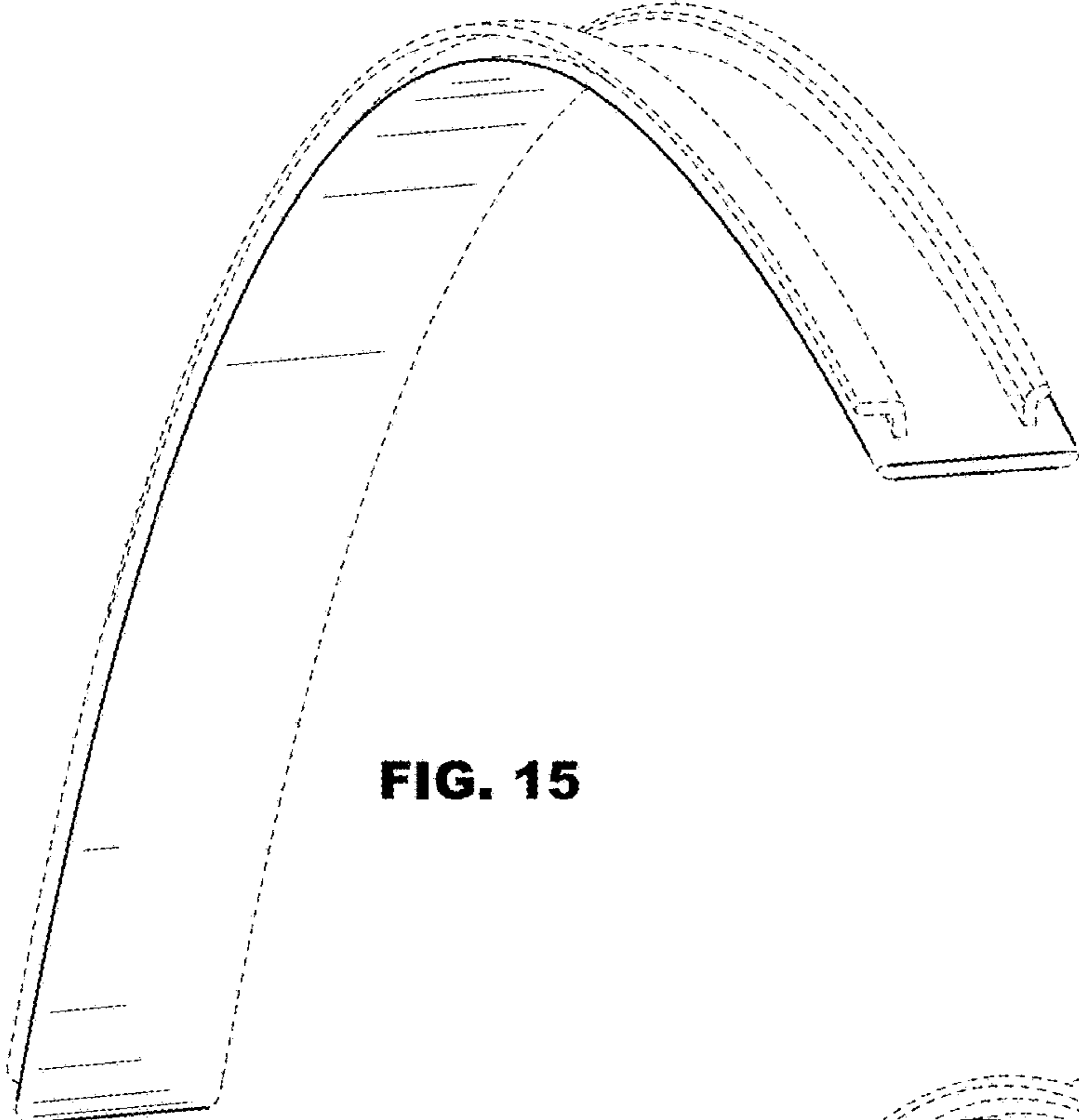


FIG. 15

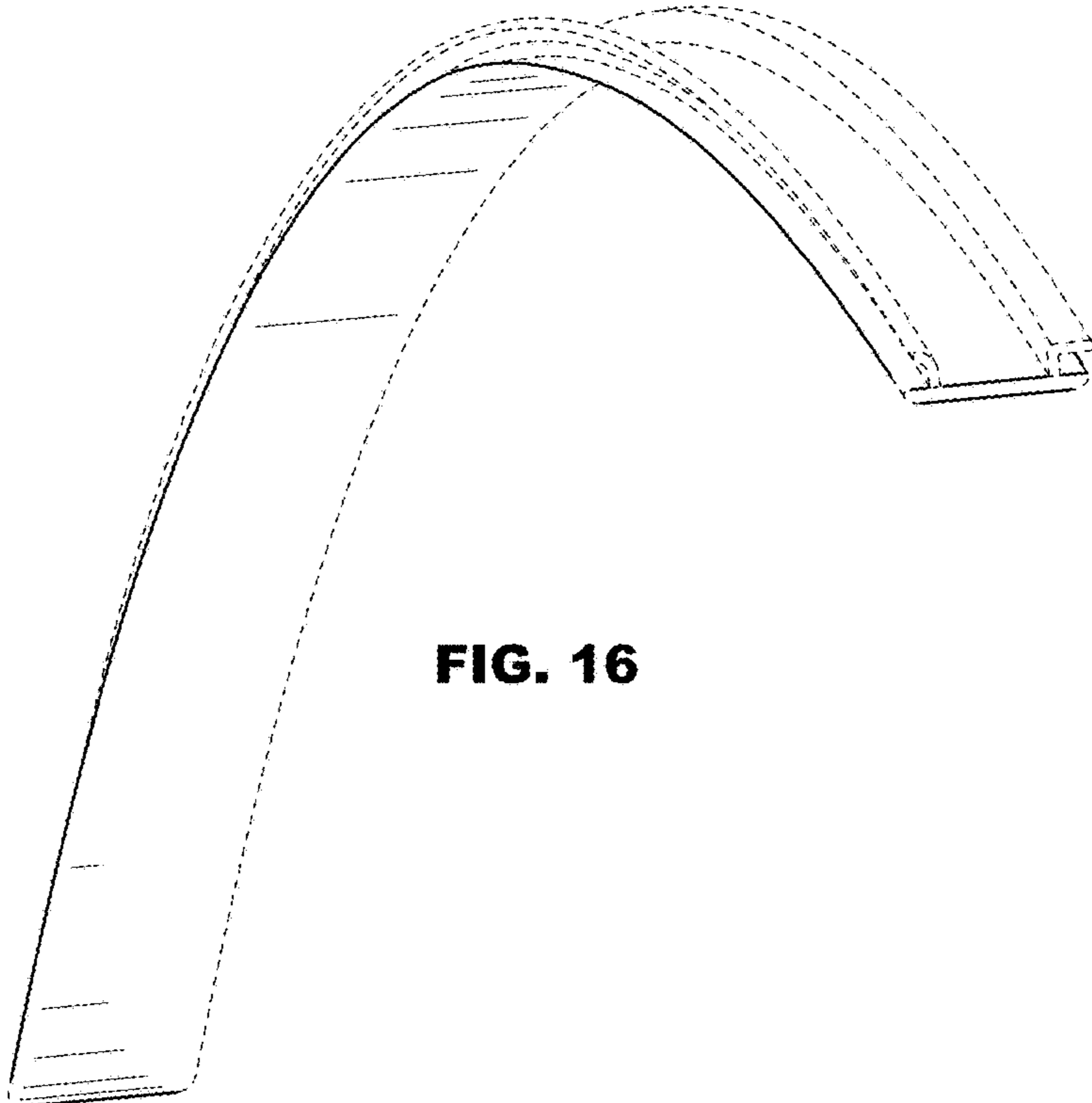


FIG. 16

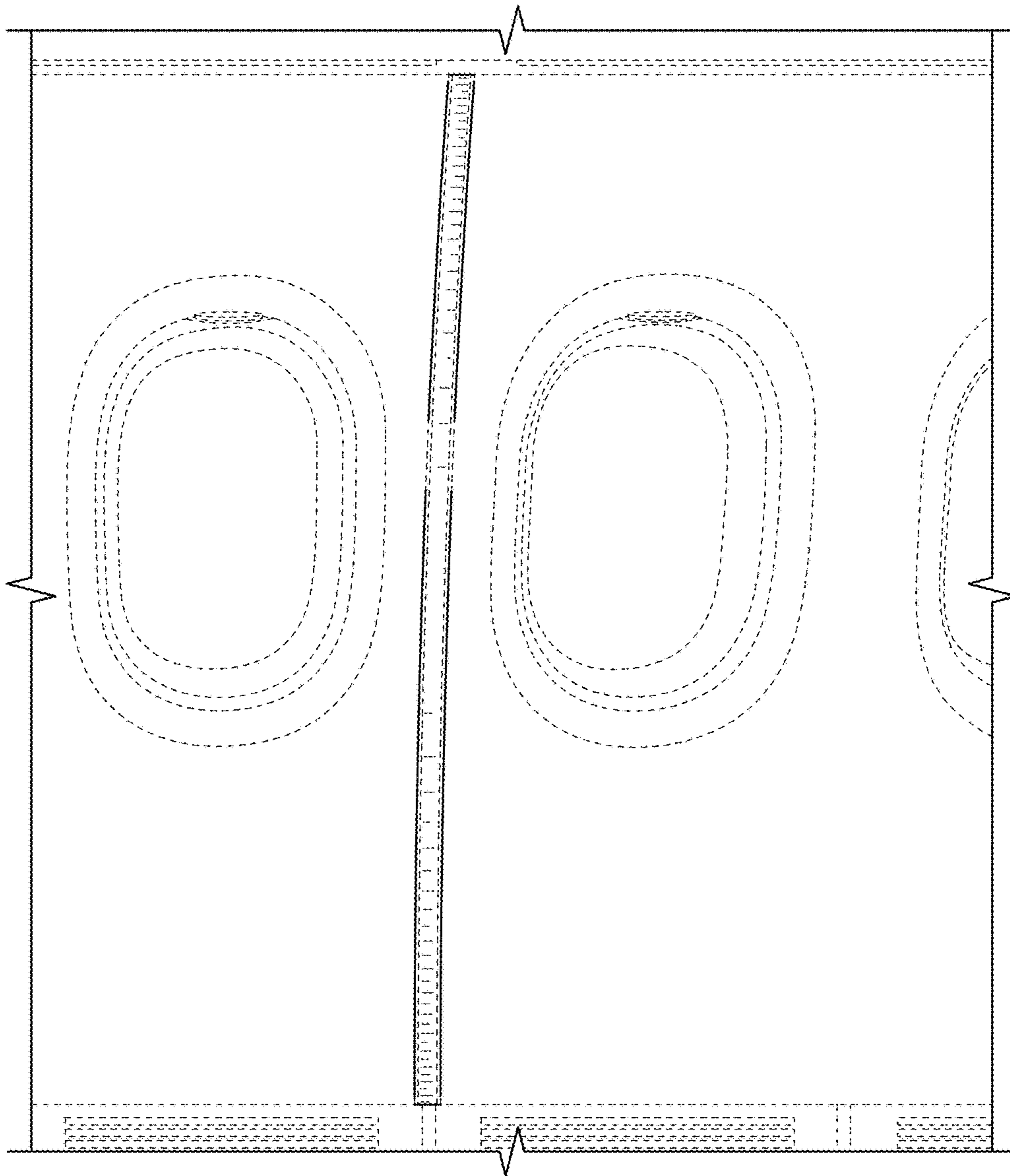


FIG. 17

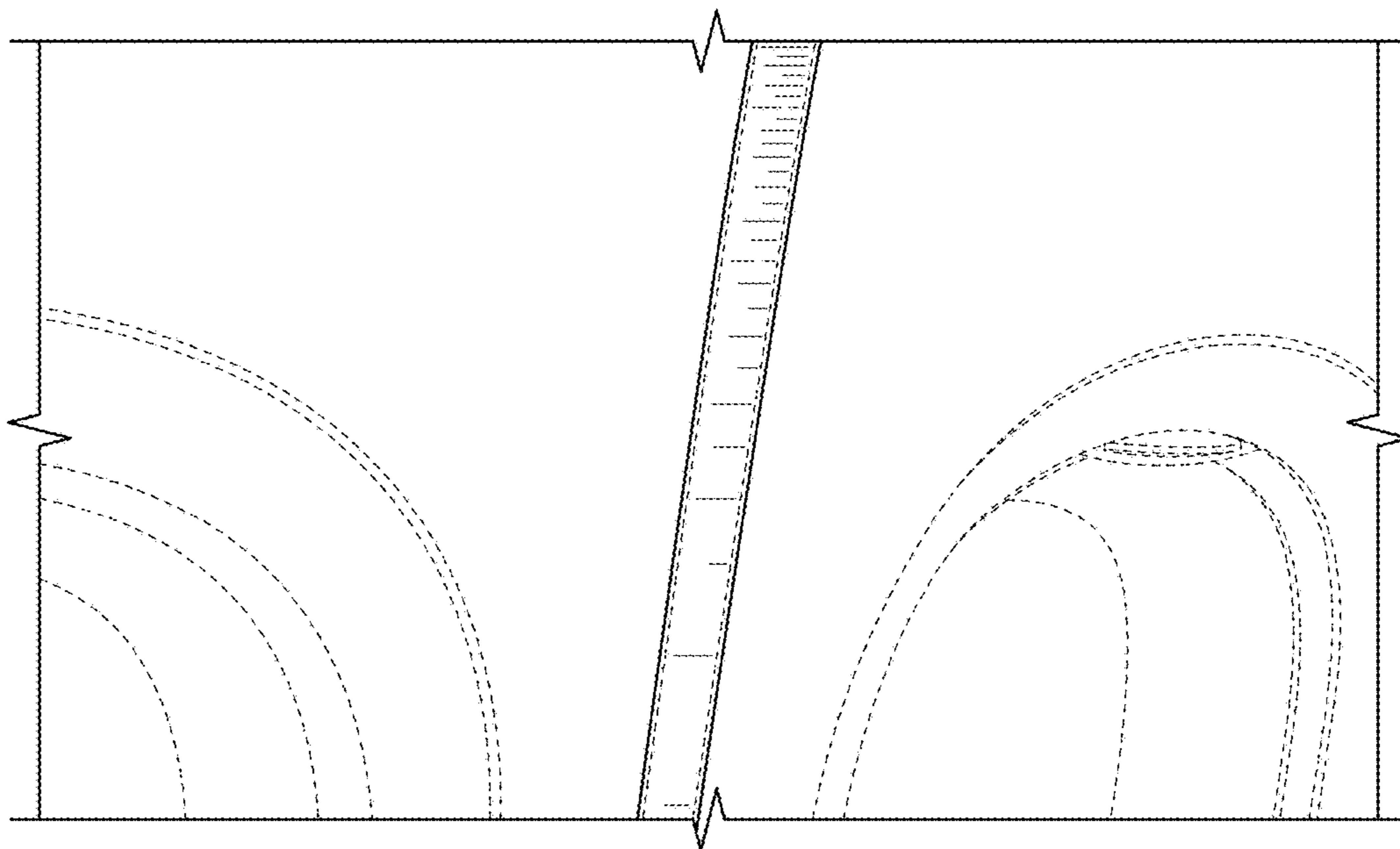


FIG. 18

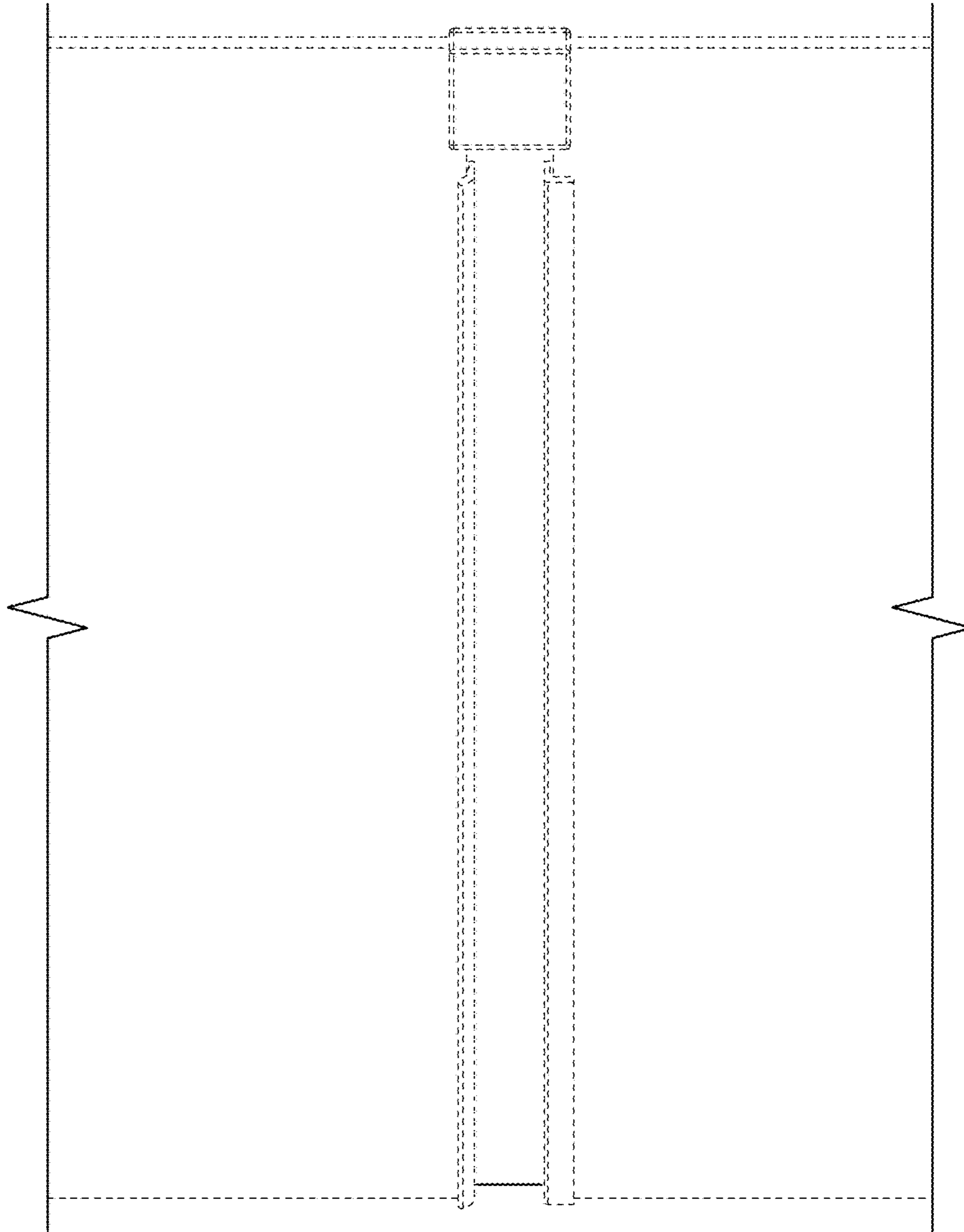


FIG. 19

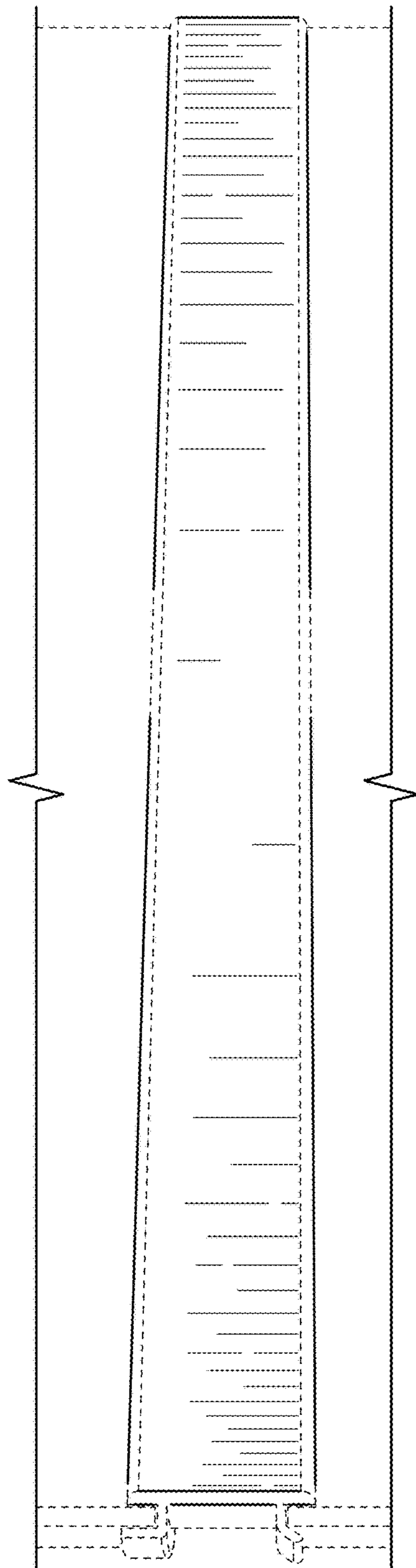


FIG. 20

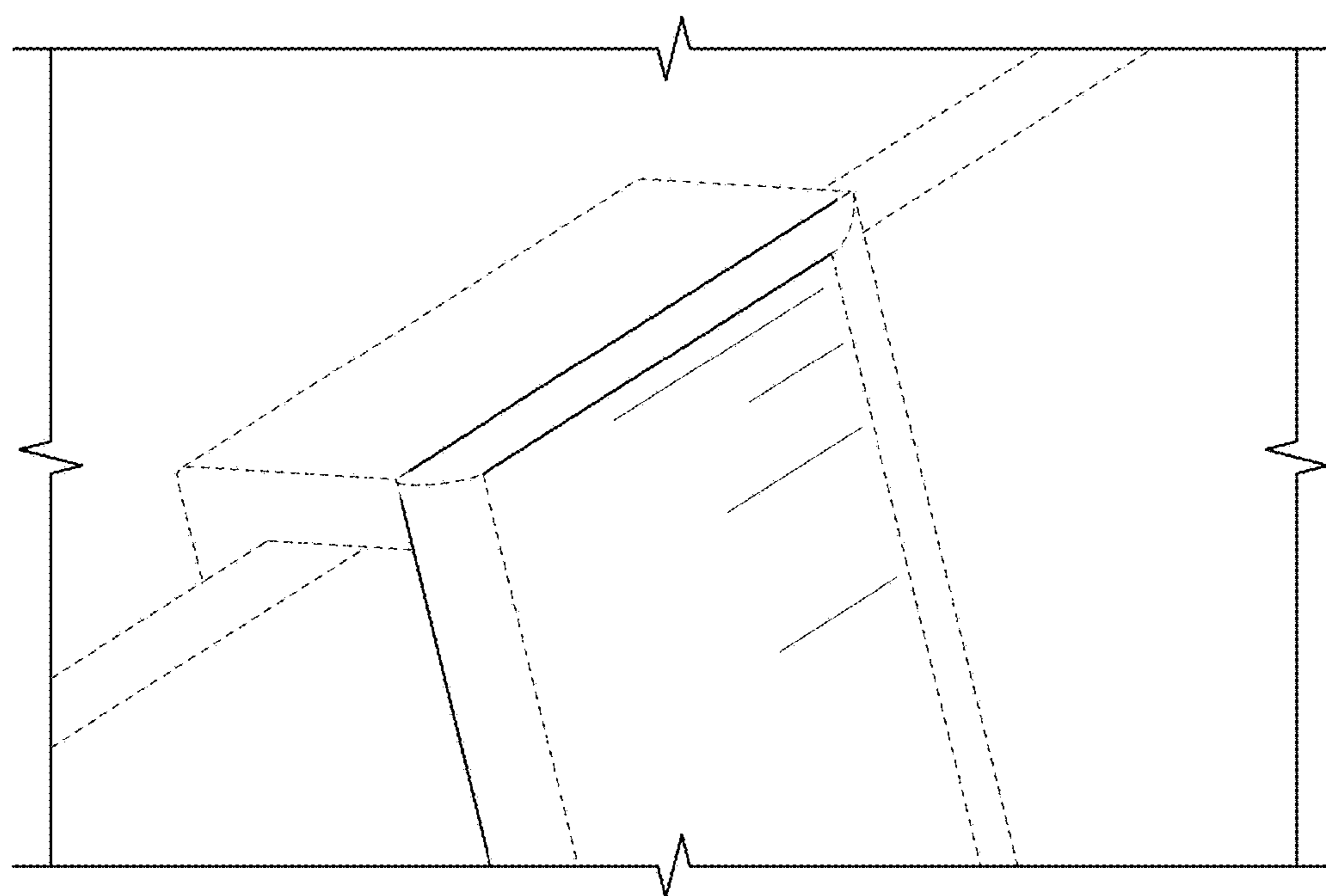


FIG. 21