



US00D855523S

(12) **United States Design Patent** (10) **Patent No.:** **US D855,523 S**  
**Perkins** (45) **Date of Patent:** **\*\* \*Aug. 6, 2019**

- (54) **VEHICLE SIDE MIRROR**
- (71) Applicant: **GM GLOBAL TECHNOLOGY OPERATIONS LLC**, Detroit, MI (US)
- (72) Inventor: **Jeffrey W. Perkins**, Rochester, MI (US)
- (73) Assignee: **GM GLOBAL TECHNOLOGY OPERATIONS LLC**, Detroit, MI (US)
- (\*) Notice: This patent is subject to a terminal disclaimer.
- (\*\*) Term: **15 Years**
- (21) Appl. No.: **29/586,650**
- (22) Filed: **Dec. 6, 2016**
- (51) **LOC (12) Cl.** ..... **12-16**
- (52) **U.S. Cl.**  
USPC ..... **D12/187**
- (58) **Field of Classification Search**  
USPC ..... D12/187, 188, 189, 195, 179, 192;  
D6/300, 309  
CPC ..... B60R 1/06; B60R 1/074; B60R 1/076;  
B60R 1/082; B60R 1/081; B60R 1/08;  
B60R 1/078; G02B 7/18; G02B 7/182;  
G02B 5/08  
See application file for complete search history.

(56) **References Cited**  
U.S. PATENT DOCUMENTS

D592,105 S	5/2009	Dean et al.
D597,447 S	8/2009	Folden
D600,595 S	9/2009	Nakamura et al.
D601,925 S	10/2009	O'Donnell
D603,755 S	11/2009	Peters
D604,203 S	11/2009	O'Donnell
D605,082 S	12/2009	Munson
D605,083 S	12/2009	Manoogian, II et al.
D605,977 S	12/2009	Zipfel et al.

D605,978 S	12/2009	Wolff et al.
D608,690 S	1/2010	Folden et al.
D608,691 S	1/2010	Zak, Jr. et al.
D609,608 S	2/2010	Boniface et al.
D611,387 S	3/2010	Thompson et al.
D612,297 S	3/2010	Peters et al.
D613,645 S	4/2010	Song et al.
D615,458 S	5/2010	Thompson et al.
D618,595 S	6/2010	Ware et al.
D623,090 S	9/2010	Cox et al.
D627,262 S	11/2010	Ikeda et al.
D635,488 S	4/2011	Phipps
D644,147 S	8/2011	Suh et al.
D644,567 S	9/2011	Kozub
D657,718 S	4/2012	Zipfel et al.
D659,052 S	5/2012	Ware et al.
D659,053 S	5/2012	Ware et al.
D668,182 S	10/2012	Barba Franco et al.
D668,183 S	10/2012	Smart
D678,820 S	3/2013	Son et al.
D678,821 S	3/2013	Ikeda et al.

(Continued)

Primary Examiner — Susan E Krakower  
Assistant Examiner — Jerry Shiuan-Hua Hsu

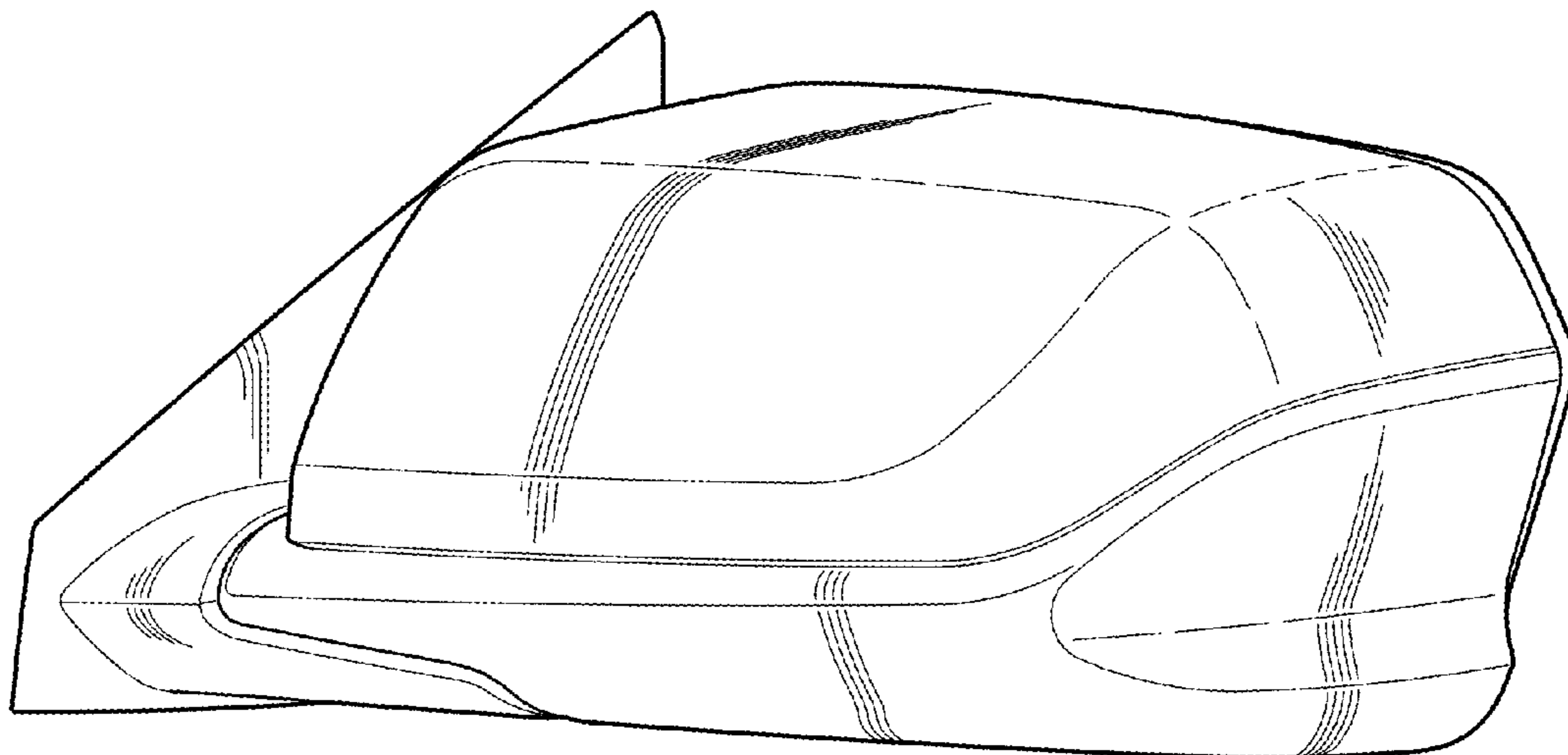
(57) **CLAIM**

The ornamental design for a vehicle side mirror, as shown and described.

**DESCRIPTION**

FIG. 1 is a perspective view of the vehicle side mirror; FIG. 2 is a front view thereof; FIG. 3 is a side view thereof; FIG. 4 is another side view thereof; FIG. 5 is a rear view thereof; FIG. 6 is a top view thereof; and, FIG. 7 is a bottom view thereof. The broken lines shown in the drawings depict portions of the vehicle side mirror that form no part of the claimed design.

**1 Claim, 4 Drawing Sheets**



(56)

**References Cited**

U.S. PATENT DOCUMENTS

D680,909 S	4/2013	Munson et al.	
D680,910 S	4/2013	David	
D684,899 S	6/2013	Baker	
D702,167 S *	4/2014	Hakamata .....	D12/187
D709,416 S *	7/2014	Mays .....	D12/187
D710,776 S *	8/2014	Hall .....	D12/187
D718,197 S *	11/2014	Chen .....	D12/187
D720,669 S *	1/2015	Hammoud .....	D12/187
D724,510 S *	3/2015	McMahan .....	D12/187
D725,014 S *	3/2015	Duff .....	D12/187
D727,230 S *	4/2015	Kao .....	D12/187
D731,379 S *	6/2015	Behmer .....	D12/187
D746,196 S *	12/2015	Di Buduo .....	D12/187
D792,824 S *	7/2017	Bucher .....	D12/187
D802,502 S *	11/2017	McMahan .....	D12/187
D804,378 S *	12/2017	Perkins .....	D12/187
2017/0253184 A1 *	9/2017	Nishimoto .....	B60R 1/06

\* cited by examiner

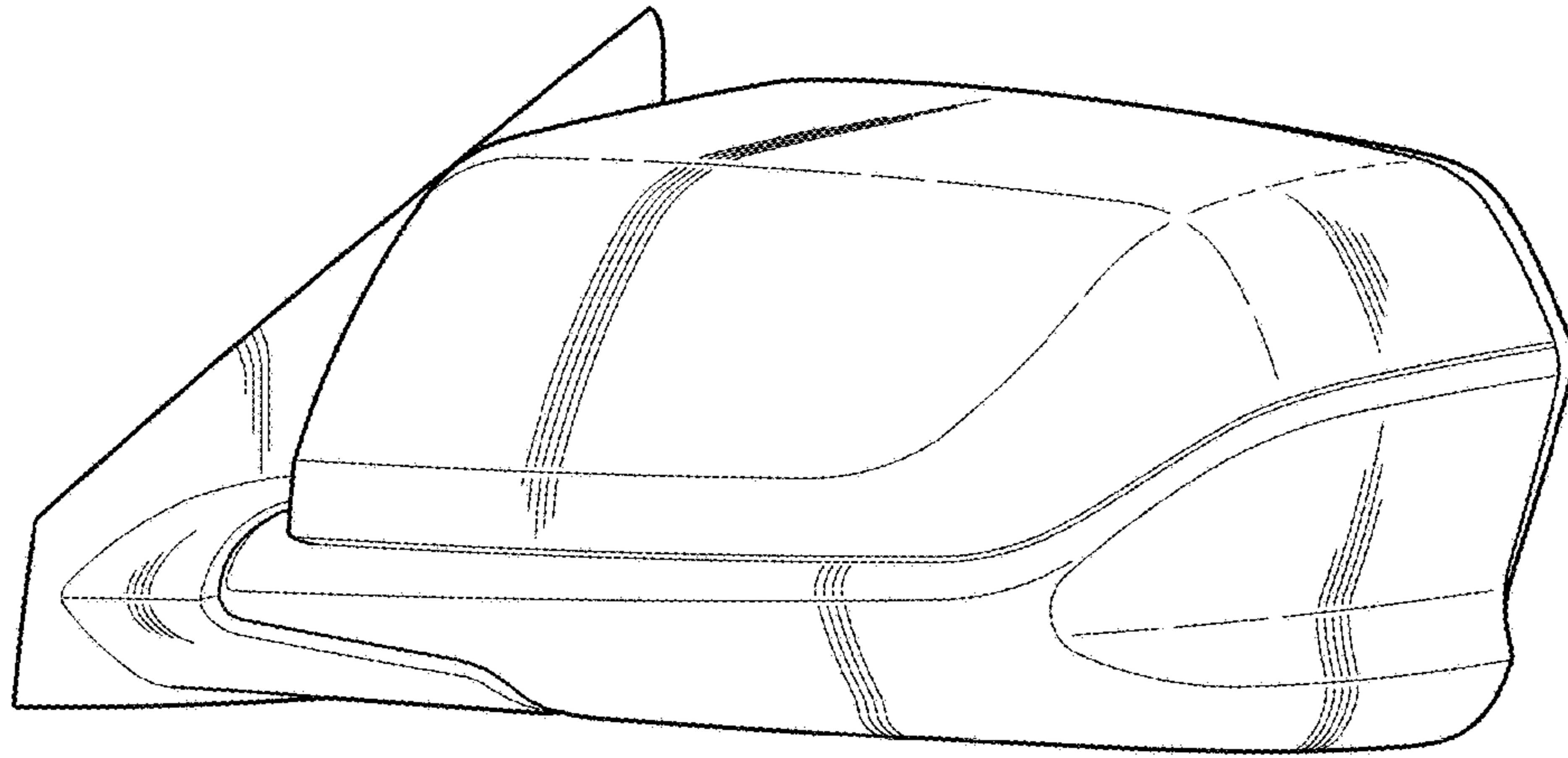


FIG. 1

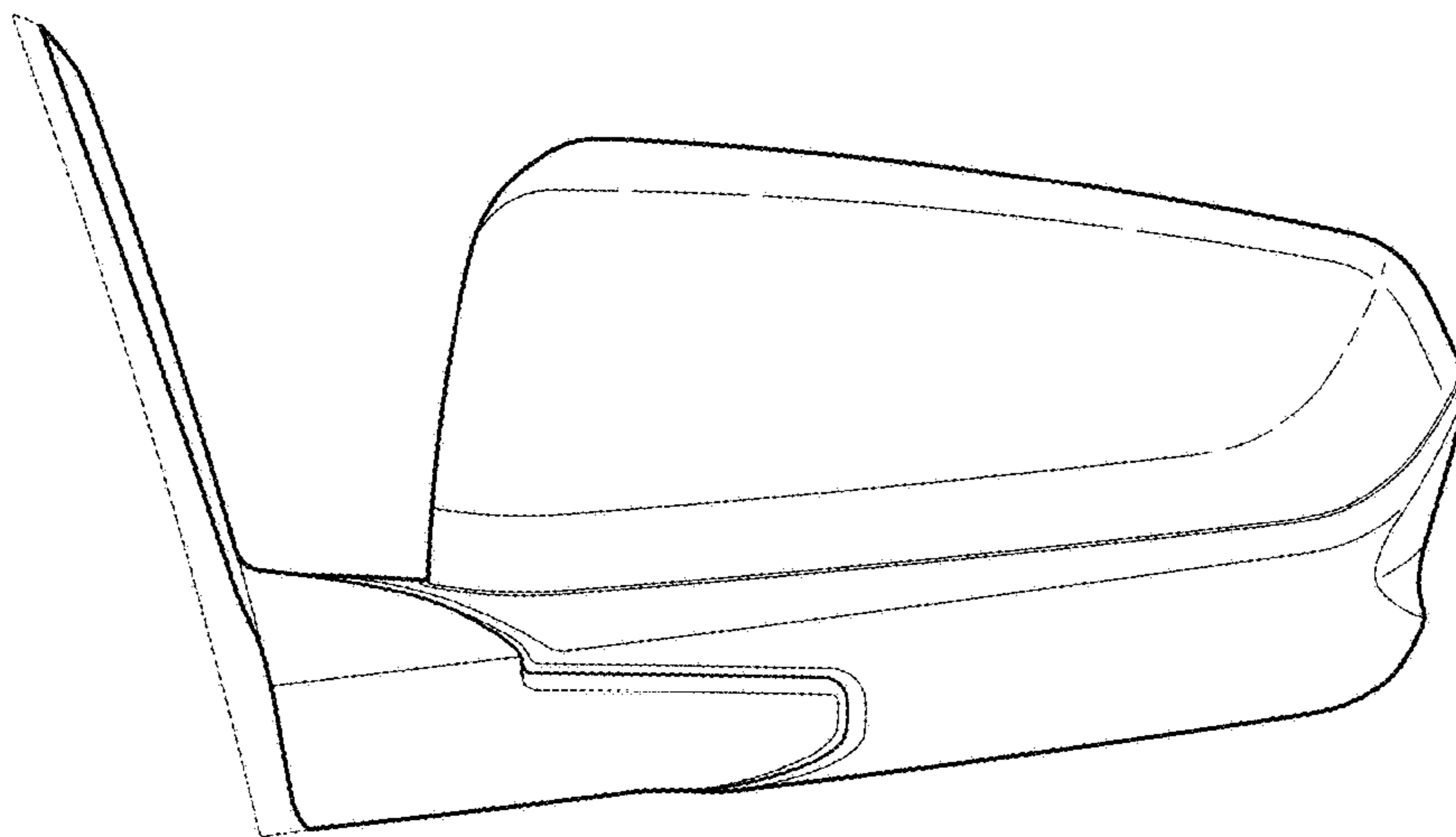


FIG. 2

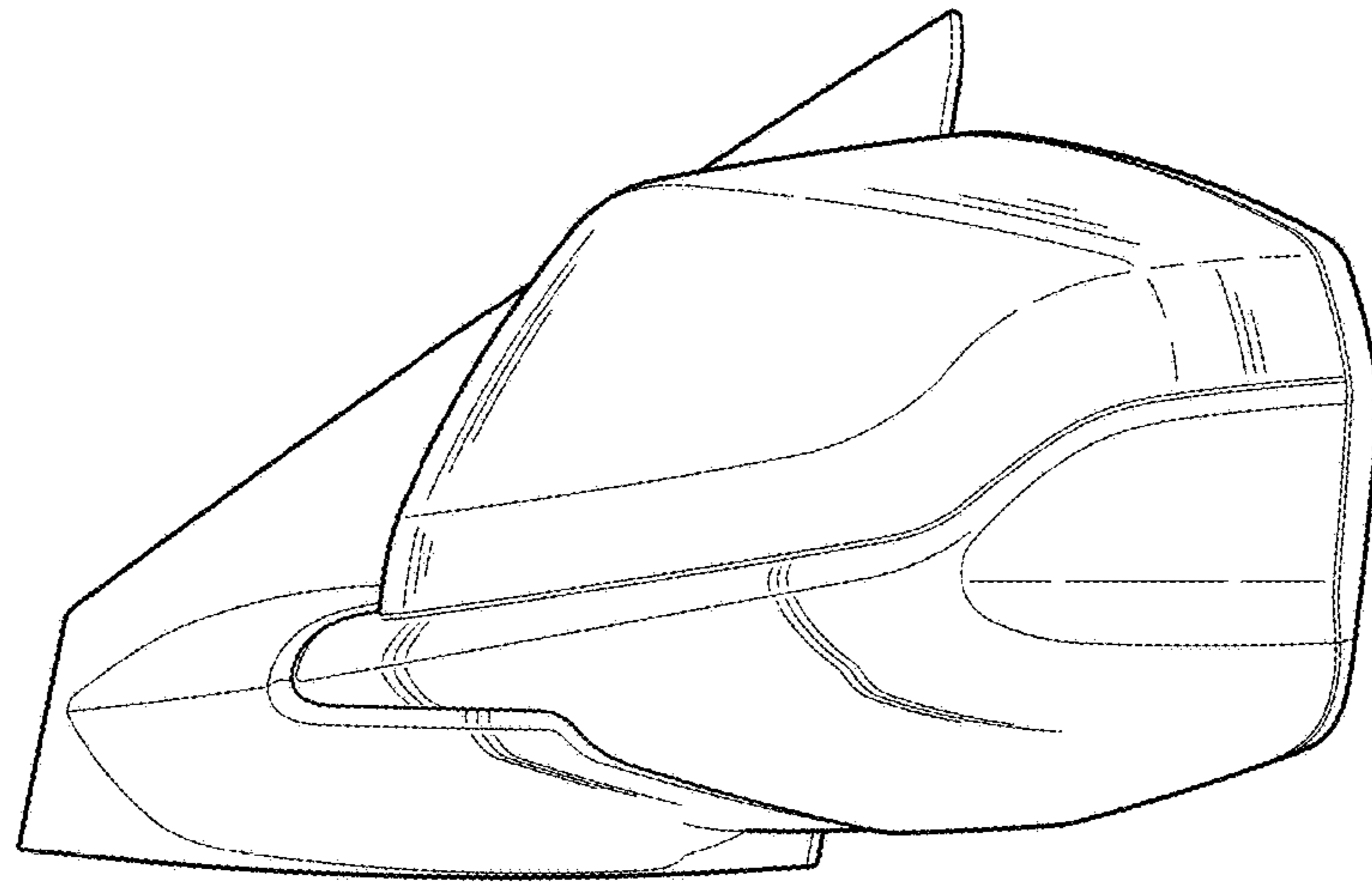


FIG. 3

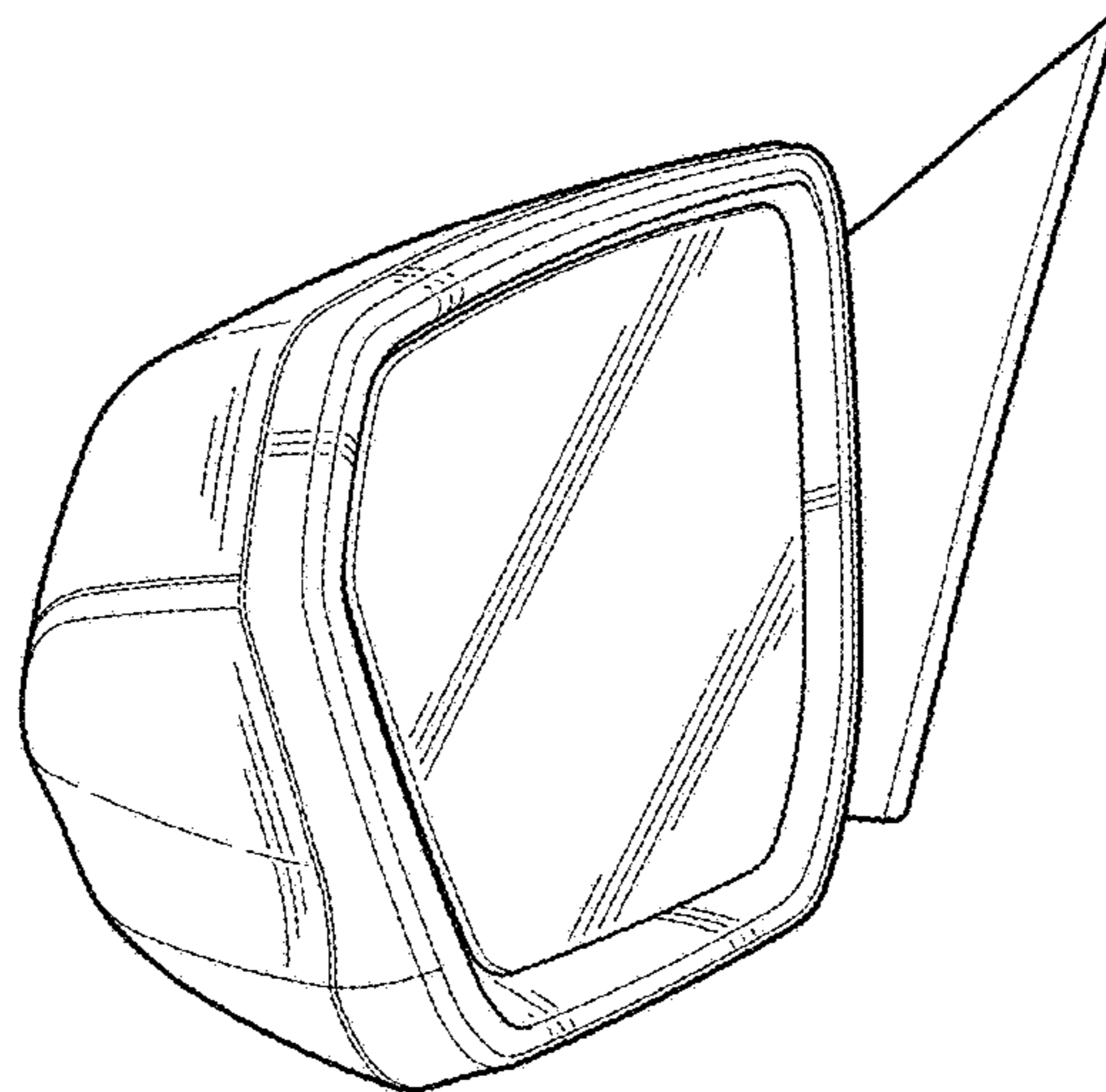


FIG. 4

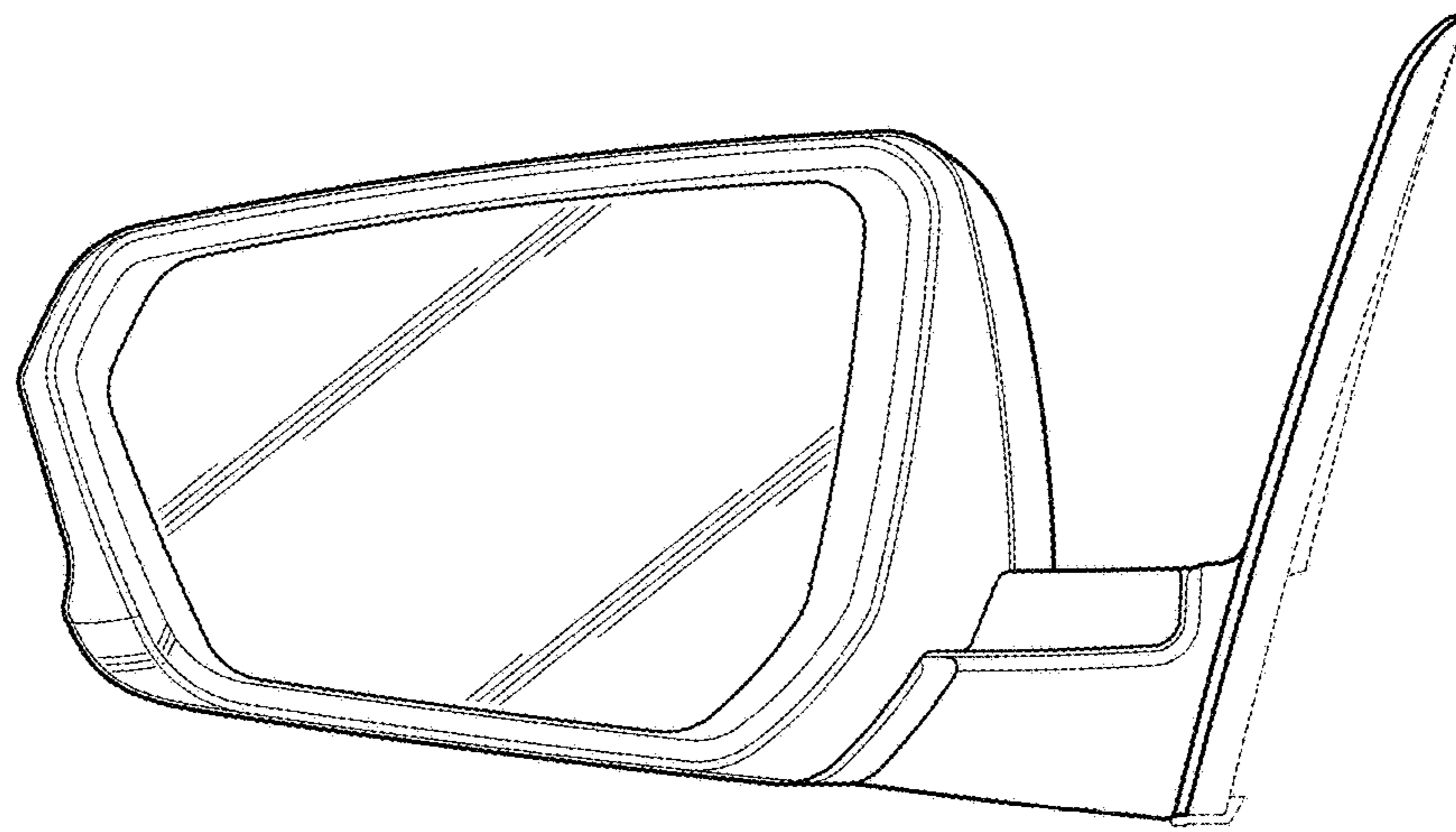


FIG. 5

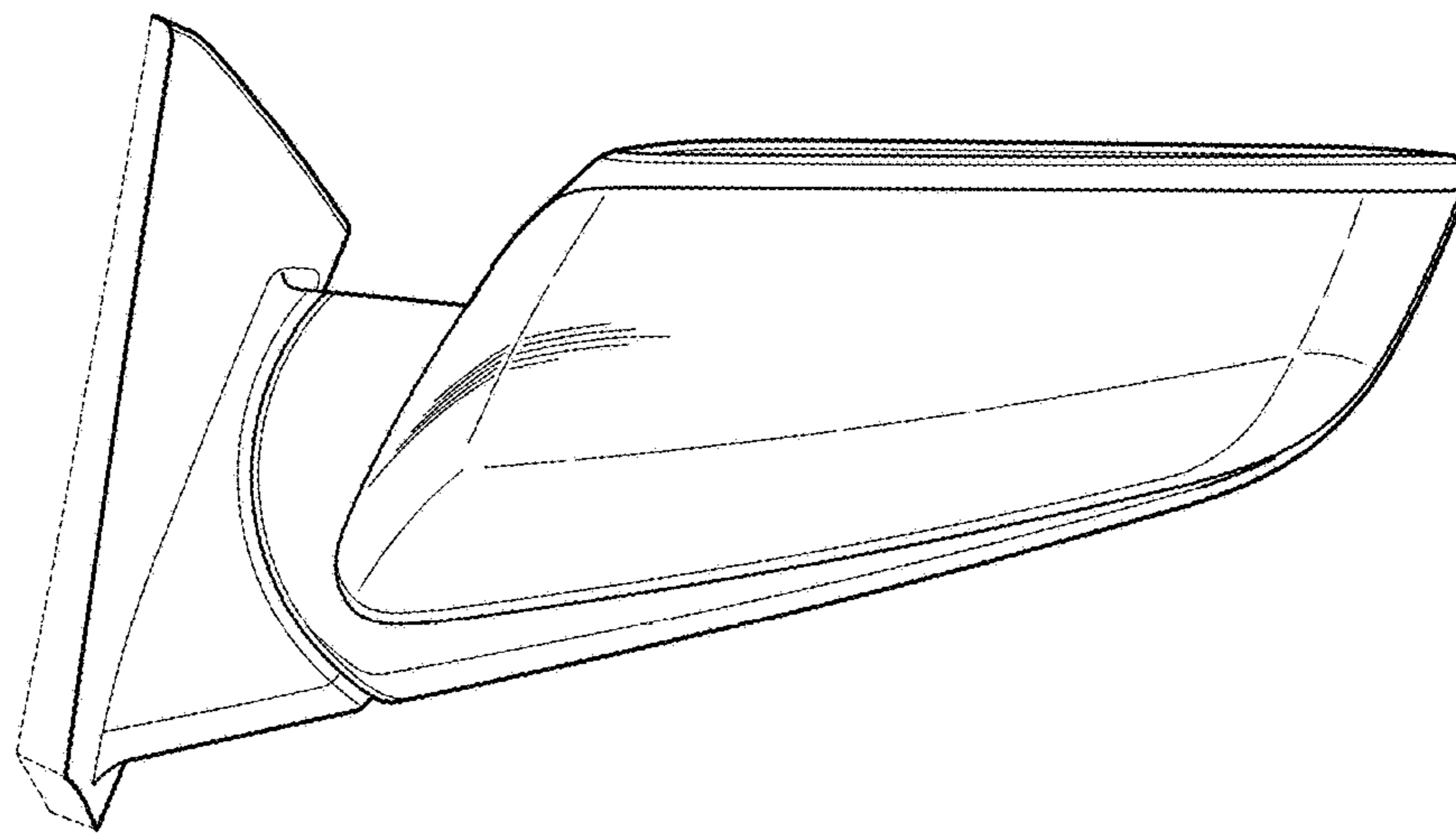


FIG. 6

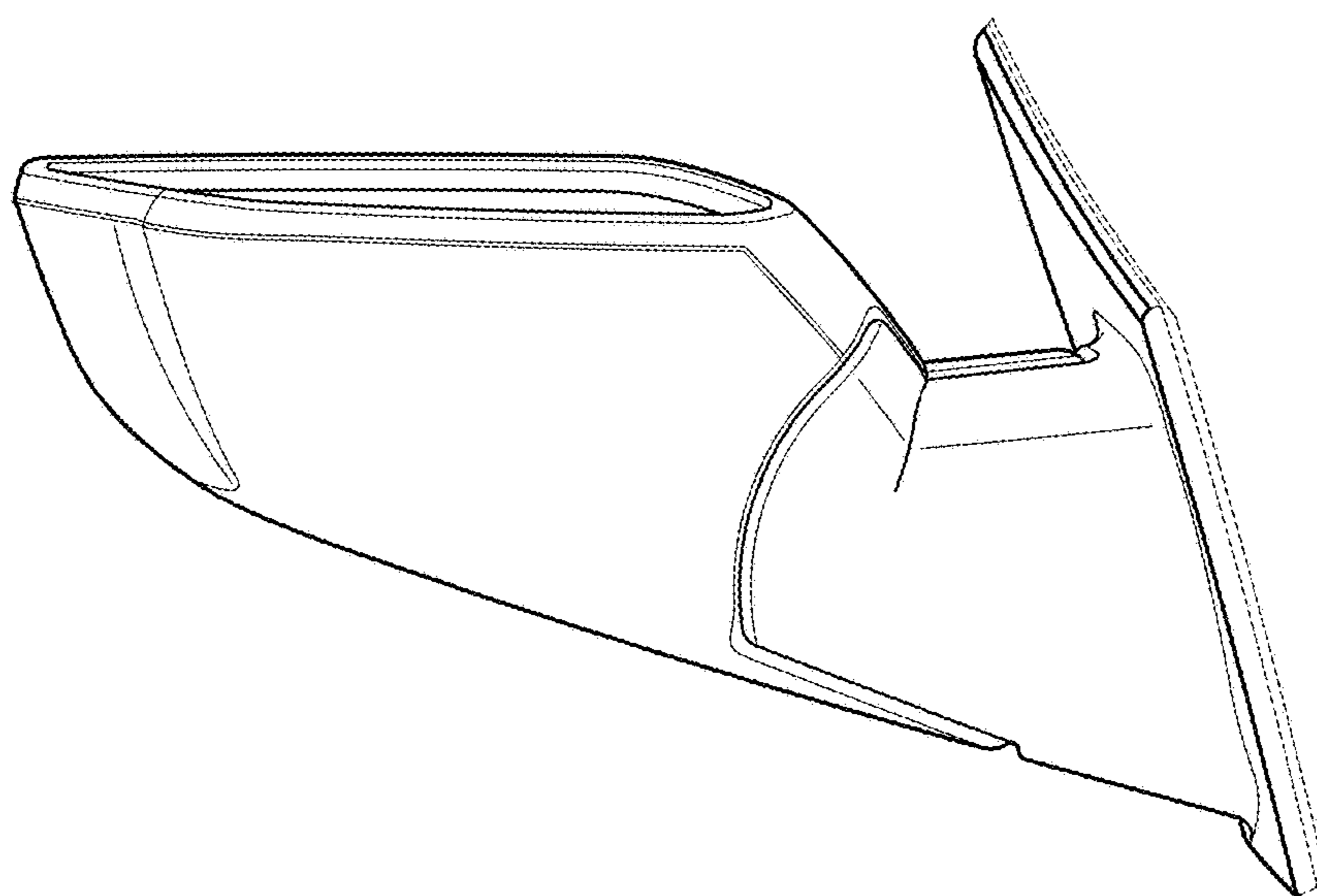


FIG. 7