



US00D855517S

(12) **United States Design Patent**
Hwang

(10) **Patent No.:** **US D855,517 S**

(45) **Date of Patent:** **** Aug. 6, 2019**

(54) **STEERING WHEEL**

(71) Applicant: **HONDA MOTOR CO., LTD.**, Tokyo (JP)

(72) Inventor: **Lawrence Hwang**, Cerritos, CA (US)

(73) Assignee: **HONDA MOTOR CO., LTD.**, Tokyo (JP)

(**) Term: **15 Years**

(21) Appl. No.: **29/633,308**

(22) Filed: **Jan. 12, 2018**

(51) **LOC (12) Cl.** **12-16**

(52) **U.S. Cl.**
USPC **D12/176**

(58) **Field of Classification Search**
USPC D12/175, 176; 74/552, 558, 558.5
CPC B60R 21/203; B60R 21/05; B62D 1/04
See application file for complete search history.

(56) **References Cited**

U.S. PATENT DOCUMENTS

D706,187 S * 6/2014 Tilscher D12/176
D743,858 S * 11/2015 Sugiura D12/176

D787,390 S * 5/2017 Kanda D12/176
D789,261 S * 6/2017 Goedecke D12/176
D797,020 S * 9/2017 Kazita D12/176
D797,021 S * 9/2017 Chergosky D12/176
D801,894 S * 11/2017 Kasano D12/176
D830,254 S * 10/2018 Owaku D12/176

* cited by examiner

Primary Examiner — Melody N Brown

(74) *Attorney, Agent, or Firm* — Arent Fox LLP

(57) **CLAIM**

The ornamental design for a steering wheel, as shown and described.

DESCRIPTION

FIG. 1 is a top, front and left side perspective view of a steering wheel showing my new design;
FIG. 2 is a top, front and left side perspective view thereof;
FIG. 3 is a top, rear and left side perspective view thereof;
FIG. 4 is a top, rear and right side perspective view thereof;
FIG. 5 is a front perspective view thereof;
FIG. 6 is a rear perspective view thereof;
FIG. 7 is a left side perspective view thereof;
FIG. 8 is a right side perspective view thereof;
FIG. 9 is a top plan view thereof; and,
FIG. 10 is a bottom plan view thereof.

1 Claim, 10 Drawing Sheets

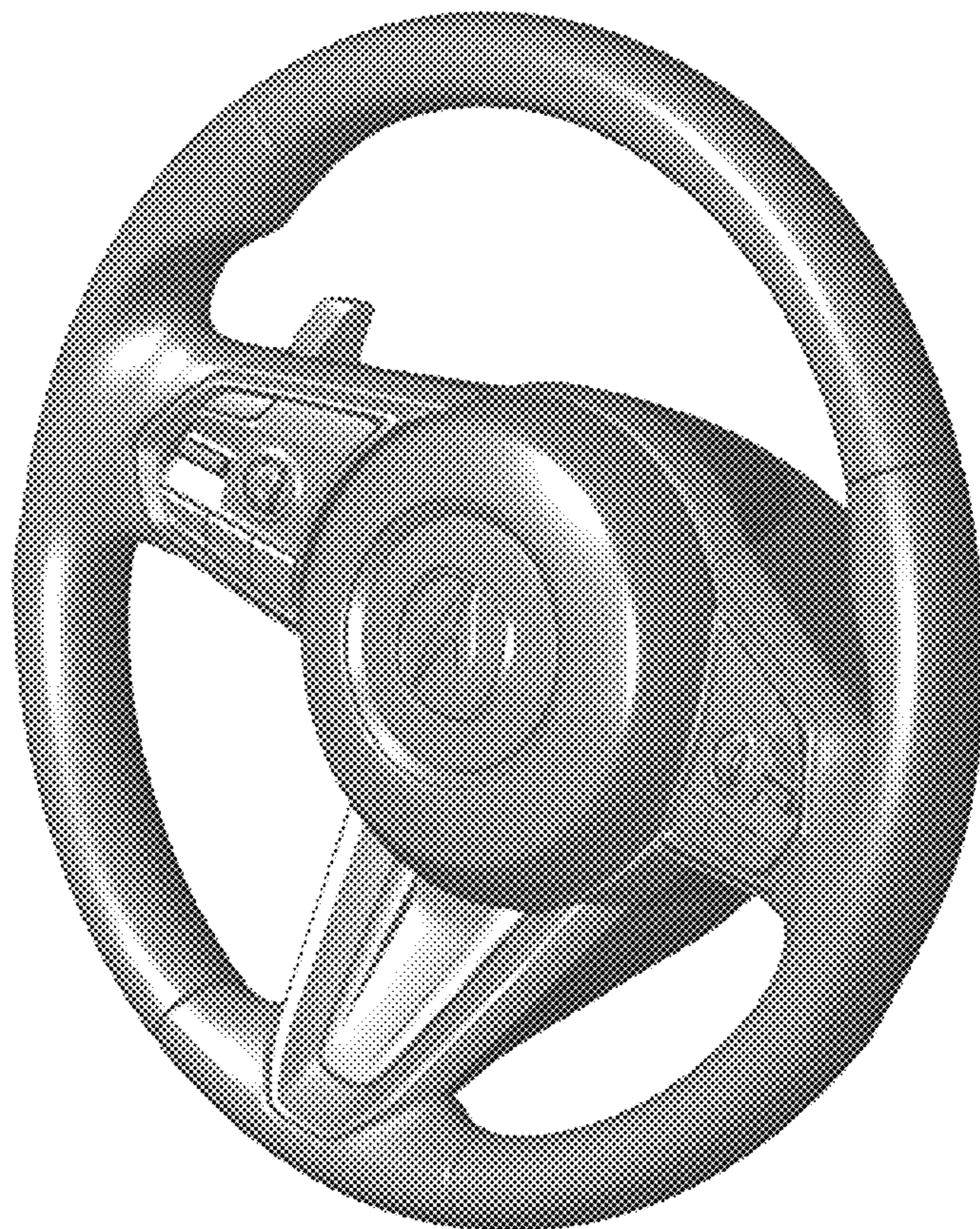




FIG. 1



FIG. 2



FIG. 3



FIG. 4



FIG. 5



FIG. 6

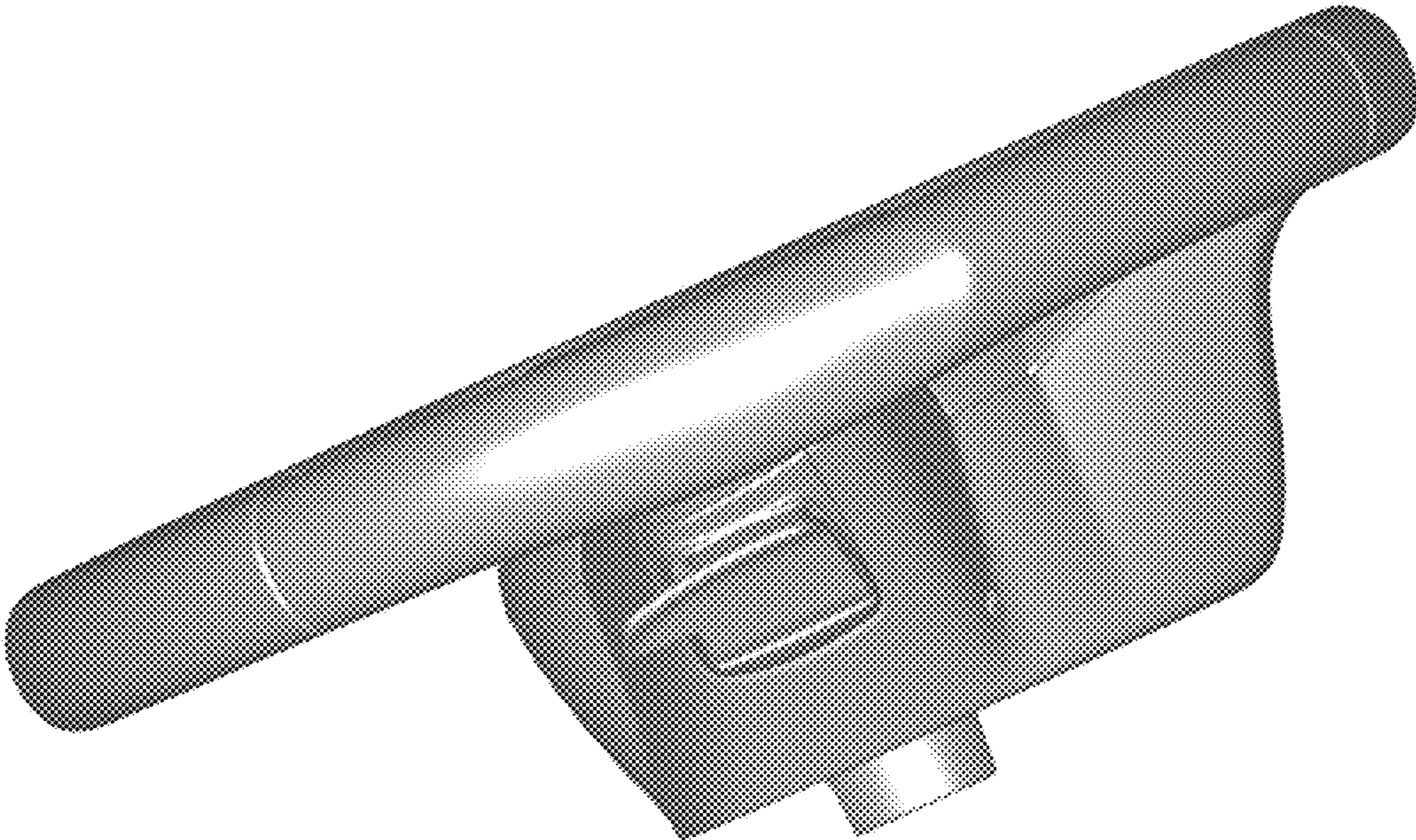


FIG. 7

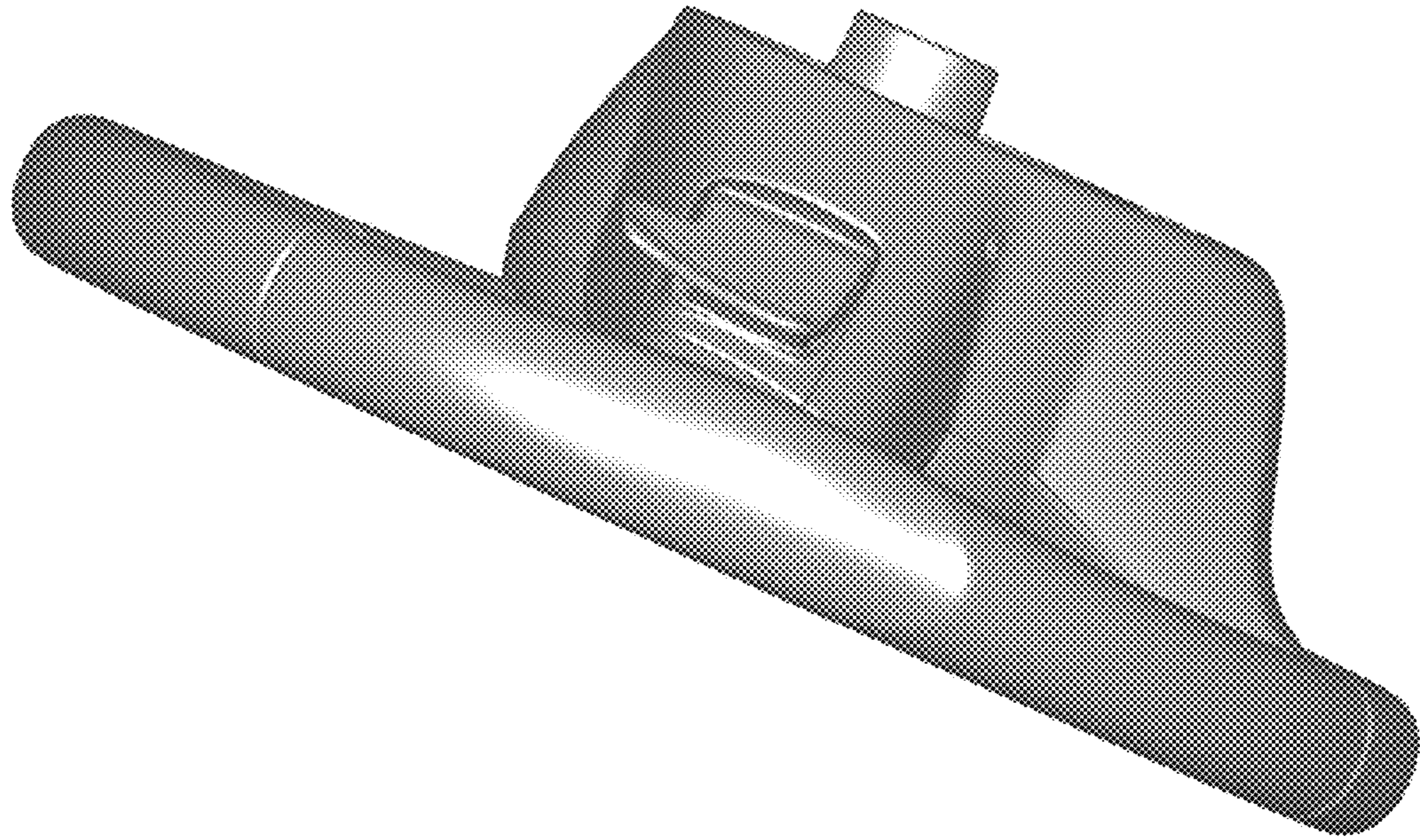


FIG. 8

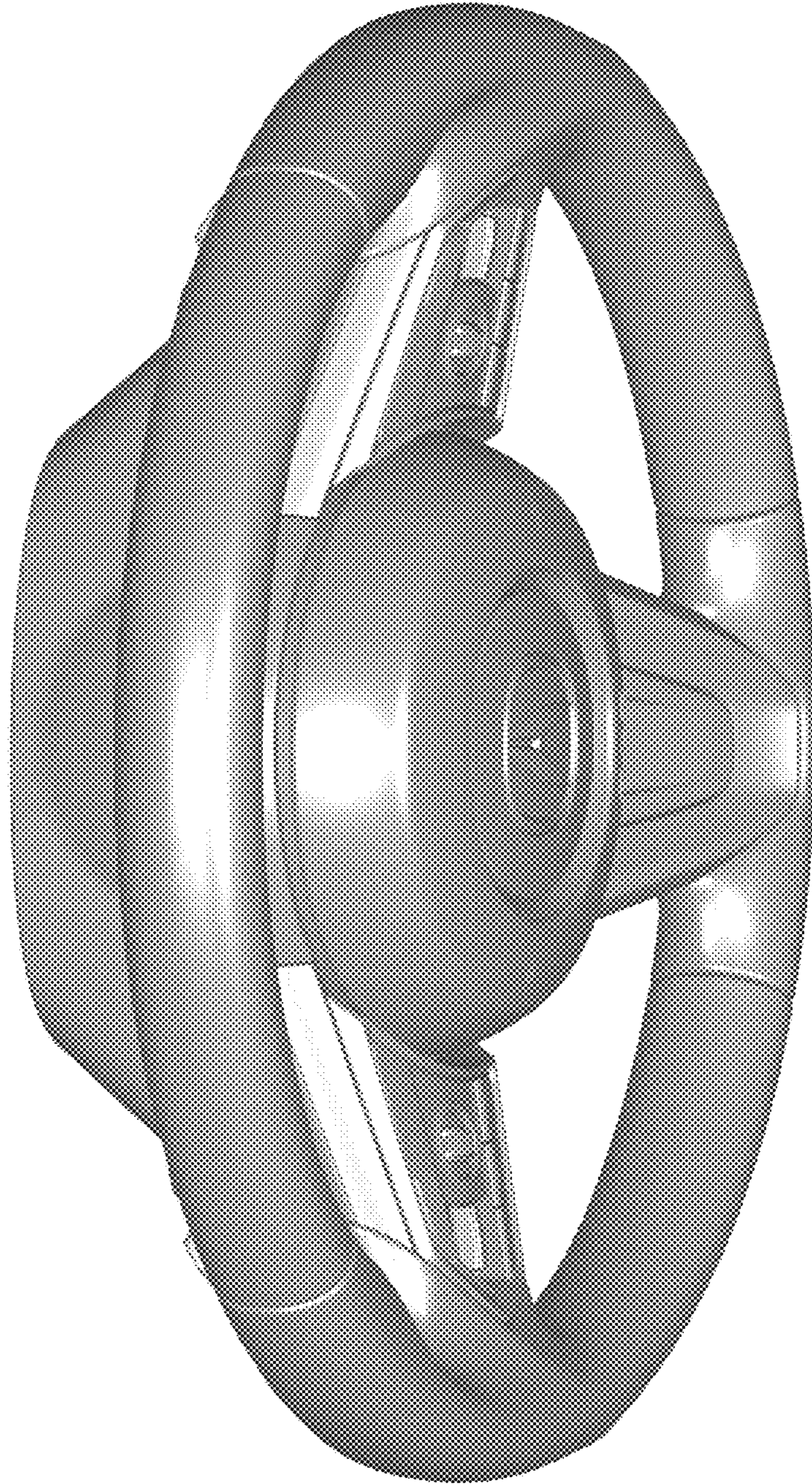


FIG. 9

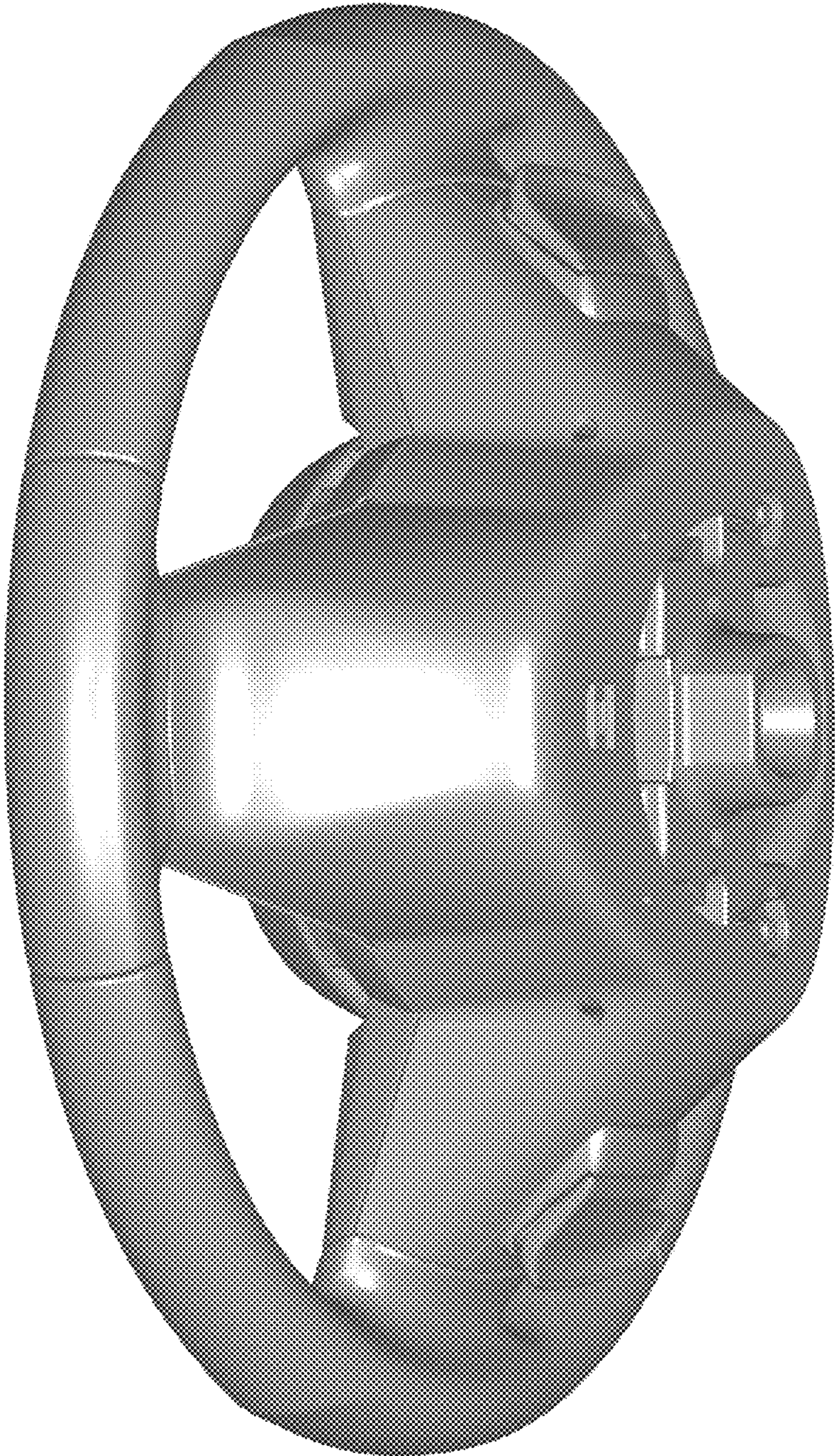


FIG. 10