



US00D855510S

(12) **United States Design Patent** (10) **Patent No.:** **US D855,510 S**
Nissl (45) **Date of Patent:** **** Aug. 6, 2019**

(54) **FRONT BUMPER FOR A VEHICLE**
(71) Applicant: **Bayerische Motoren Werke Aktiengesellschaft, Munich (DE)**
(72) Inventor: **Florian Dieter Nissl, Haimhausen (DE)**
(73) Assignee: **Bayerische Motoren Werke Aktiengesellschaft, Munich (DE)**

D803,112 S * 11/2017 Tomita D12/169
D823,746 S * 7/2018 Lim D12/169
D823,747 S * 7/2018 Tsarukyan D12/169
D825,412 S * 8/2018 Luk D12/169
D825,414 S * 8/2018 De Bono D12/169

(**) Term: **15 Years**
(21) Appl. No.: **29/646,407**
(22) Filed: **May 4, 2018**

FOREIGN PATENT DOCUMENTS

WO WO DM/096281 11/2017
WO WO DM/096612 12/2017

(30) **Foreign Application Priority Data**
Nov. 10, 2017 (DE) 40 2017 101 231
(51) **LOC (12) Cl.** **12-16**
(52) **U.S. Cl.**
USPC **D12/169**
(58) **Field of Classification Search**
USPC D12/169, 196, 86, 90-92, 163, 190, 98,
D12/164; 293/102, 113, 115, 117, 120,
293/193.11; 296/180.1, 180.2; 180/68.1,
180/68.6
CPC B60R 19/52; B60K 11/08; B62D 25/08;
B62B 9/16
See application file for complete search history.

* cited by examiner

Primary Examiner — Melody N Brown
(74) *Attorney, Agent, or Firm* — Crowell & Moring LLP

(57) **CLAIM**

The ornamental design for a front bumper for a vehicle, as shown and described.

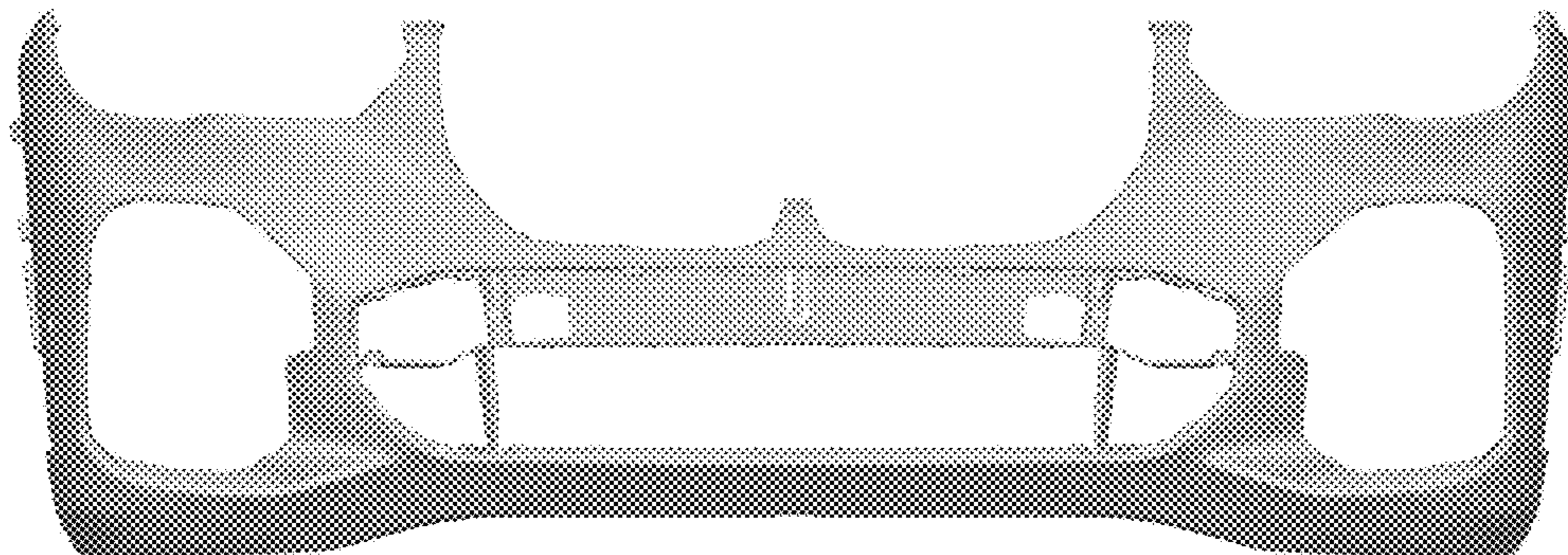
DESCRIPTION

This application contains subject matter related to the following co-pending U.S. design patent applications: Application Ser. No. 29/607,496, filed Jun. 14, 2017 and entitled "Front Bumper for a Vehicle"; Application Ser. No. 29/605,290, filed May 25, 2017 and entitled "Front Bumper for a Vehicle"; Application Ser. No. 29/605,296, filed May 25, 2017 and entitled "Front Bumper for a Vehicle"; and Application Ser. No. 29/646,406, filed herewith and entitled "Front Bumper for a Vehicle".

FIG. 1 is a front view of a front bumper for a vehicle according to the design;
FIG. 2 is a right, front perspective view thereof;
FIG. 3 is a left, bottom perspective view thereof;
FIG. 4 is a right side view thereof;
FIG. 5 is a left side view thereof;
FIG. 6 is a top view thereof;
FIG. 7 is a bottom view thereof; and,
FIG. 8 is a rear view thereof.

(56) **References Cited**
U.S. PATENT DOCUMENTS
D716,199 S * 10/2014 Beermann D12/169
D735,096 S * 7/2015 Nissl D12/169
D748,543 S * 2/2016 Nissl D12/169
D772,122 S * 11/2016 Zurian D12/169
D787,377 S * 5/2017 Al Attar D12/92
D787,990 S * 5/2017 Kozub D12/169
D803,100 S * 11/2017 Forschner D12/92

1 Claim, 8 Drawing Sheets



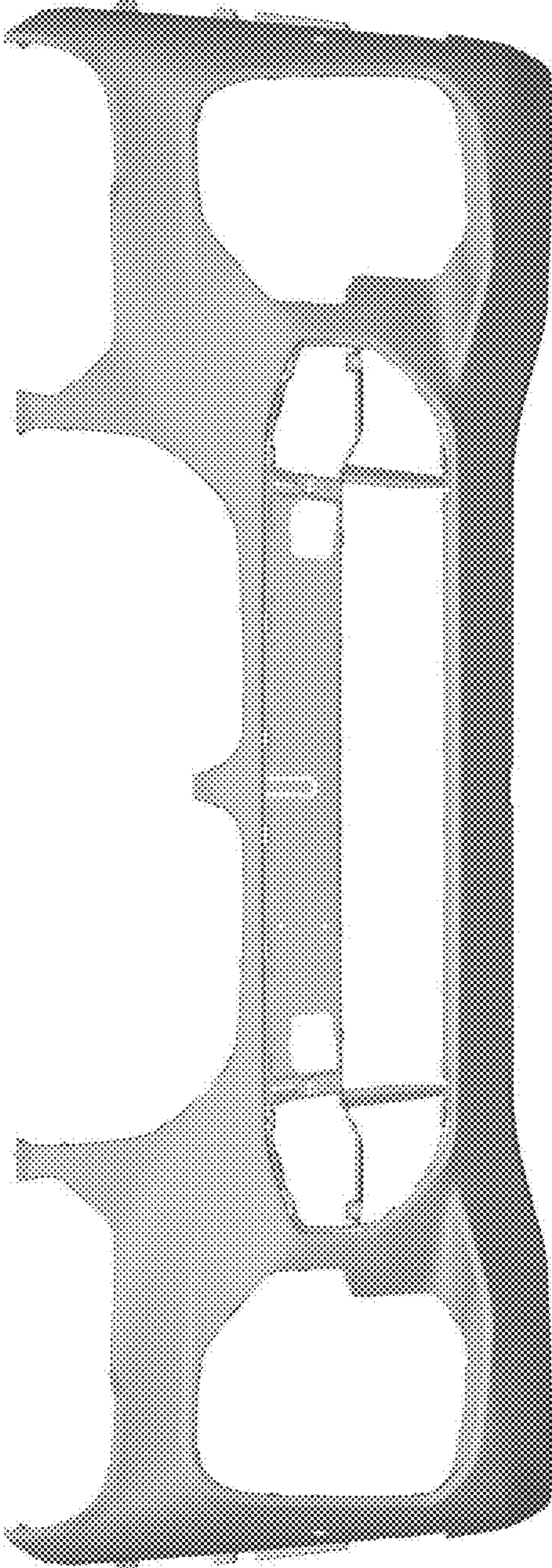


Fig. 1

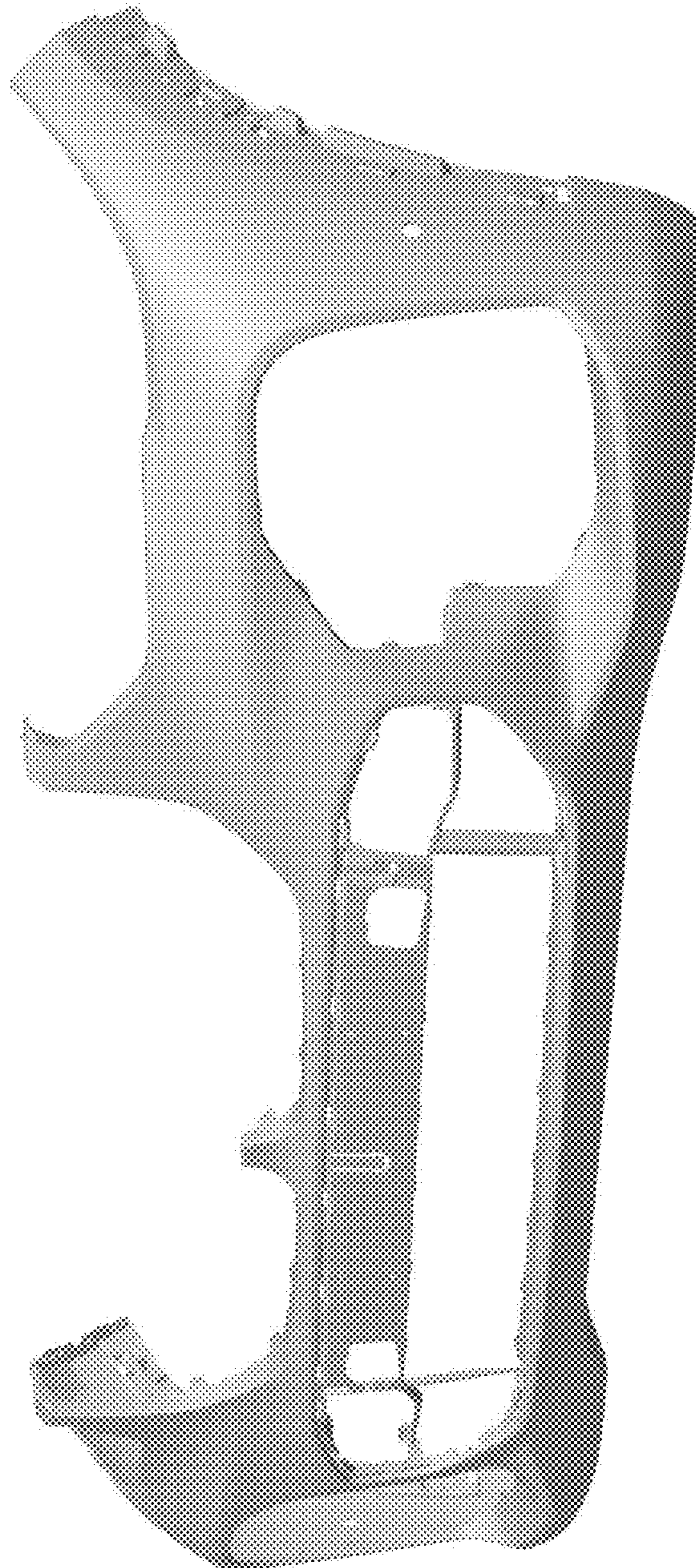


Fig. 2



Fig. 3

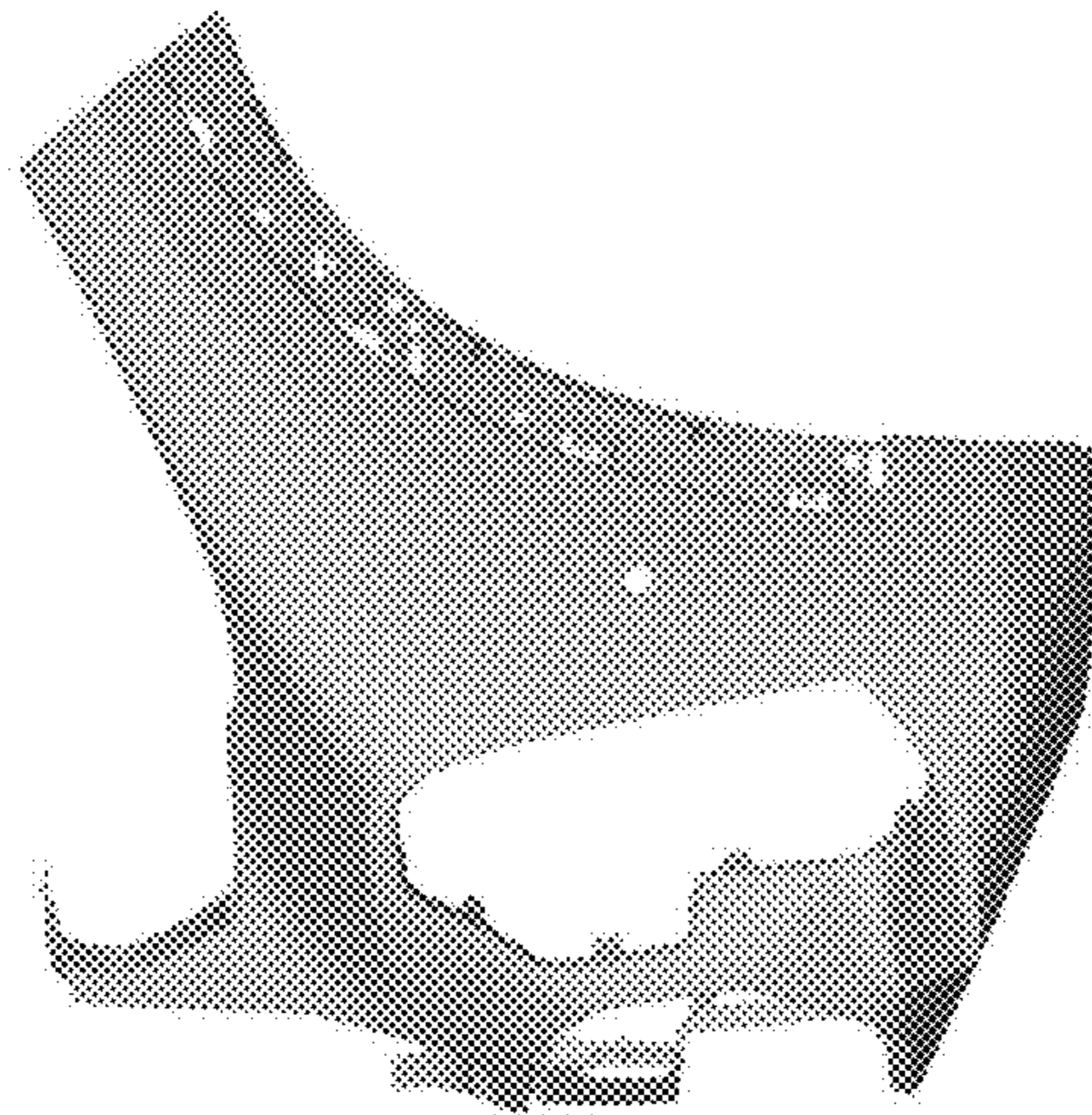


Fig. 4

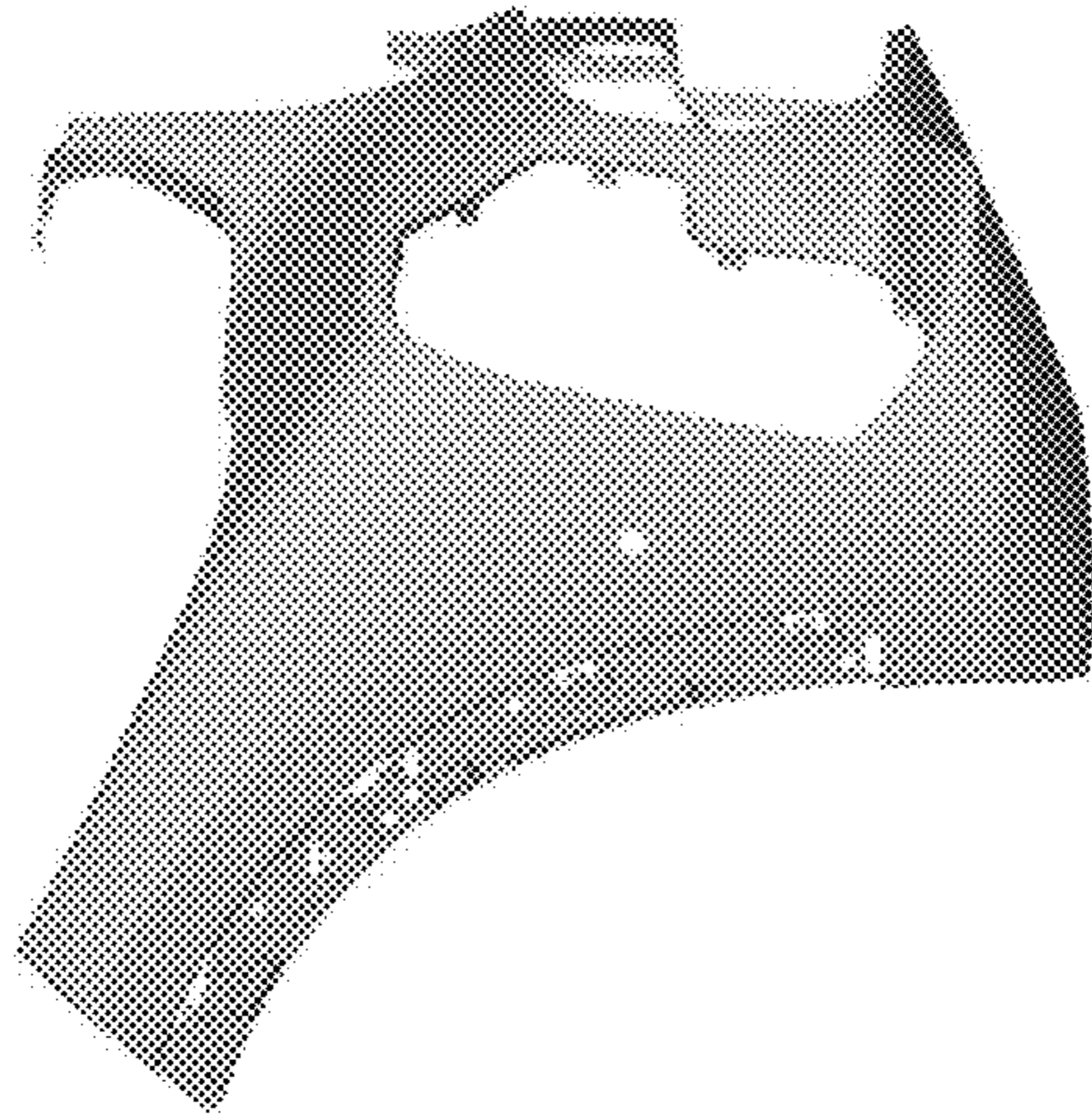


Fig. 5

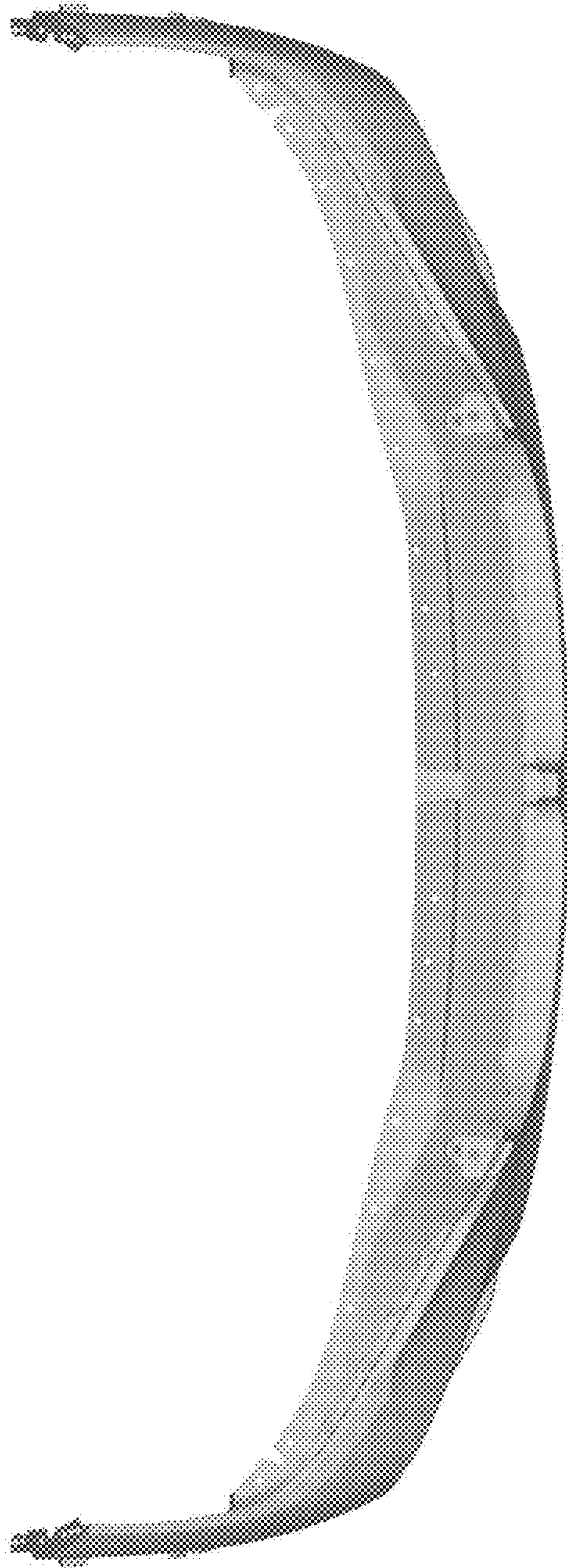


Fig. 6

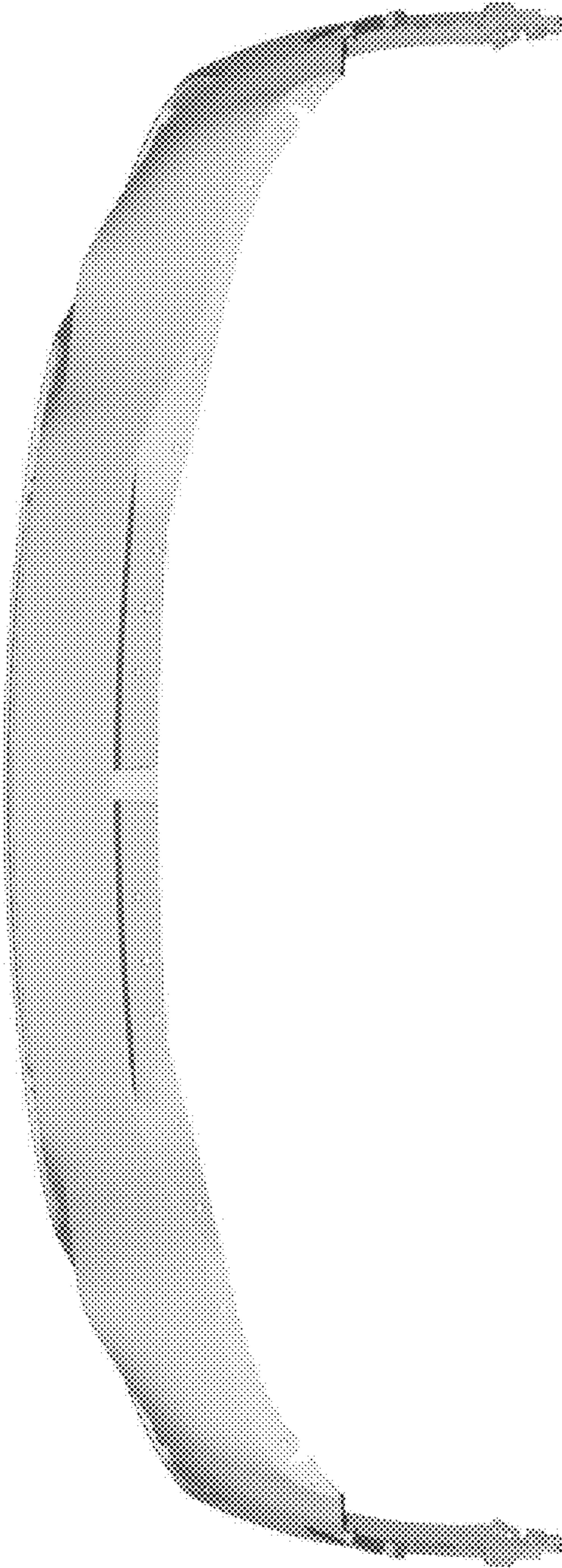


Fig. 7

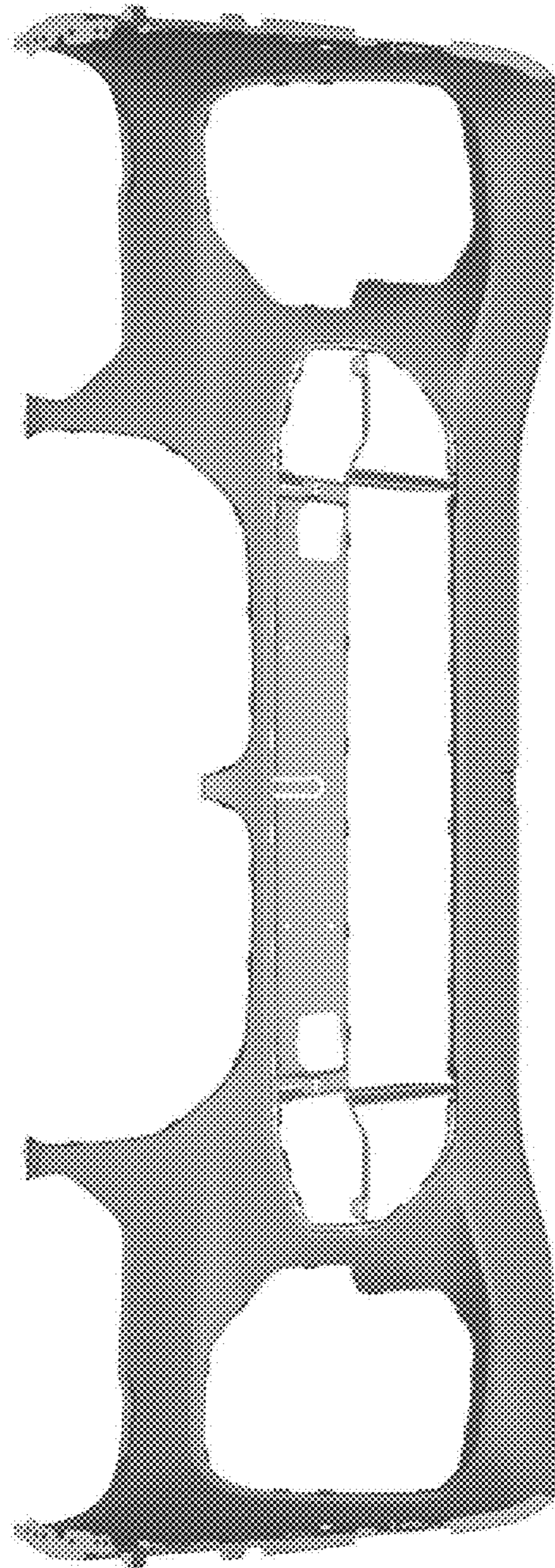


Fig. 8