



US00D855506S

(12) **United States Design Patent** (10) **Patent No.:** **US D855,506 S**
Smock (45) **Date of Patent:** **** Aug. 6, 2019**

- (54) **FRONT BUMPER**
- (71) Applicant: **HONDA MOTOR CO., LTD.**,
Minato-ku, Tokyo (JP)
- (72) Inventor: **Randall Smock**, Redondo Beach, CA
(US)
- (73) Assignee: **HONDA MOTOR CO., LTD.**, Tokyo
(JP)
- (**) Term: **15 Years**
- (21) Appl. No.: **29/633,312**
- (22) Filed: **Jan. 12, 2018**
- (51) **LOC (12) Cl.** **12-16**
- (52) **U.S. Cl.**
USPC **D12/169**
- (58) **Field of Classification Search**
USPC D12/169, 216, 90-92, 86, 171, 196, 163,
D12/190; 293/193.11; 296/180.1, 180.2;
180/68.1, 68.6
CPC B62D 25/08; B62B 9/16; B60K 11/08;
B60R 19/52; B60R 19/02; B60R 19/04
See application file for complete search history.

- D807,227 S * 1/2018 Chen D12/91
- D823,165 S * 7/2018 Chung D12/91
- D825,411 S * 8/2018 Gueler D12/169
- D837,109 S * 1/2019 Kozub D12/169
- D840,296 S * 2/2019 Buckingham D12/169

* cited by examiner

Primary Examiner — Melody N Brown

(74) *Attorney, Agent, or Firm* — Arent Fox LLP

(57) **CLAIM**

The ornamental design for a front bumper, as shown and described.

DESCRIPTION

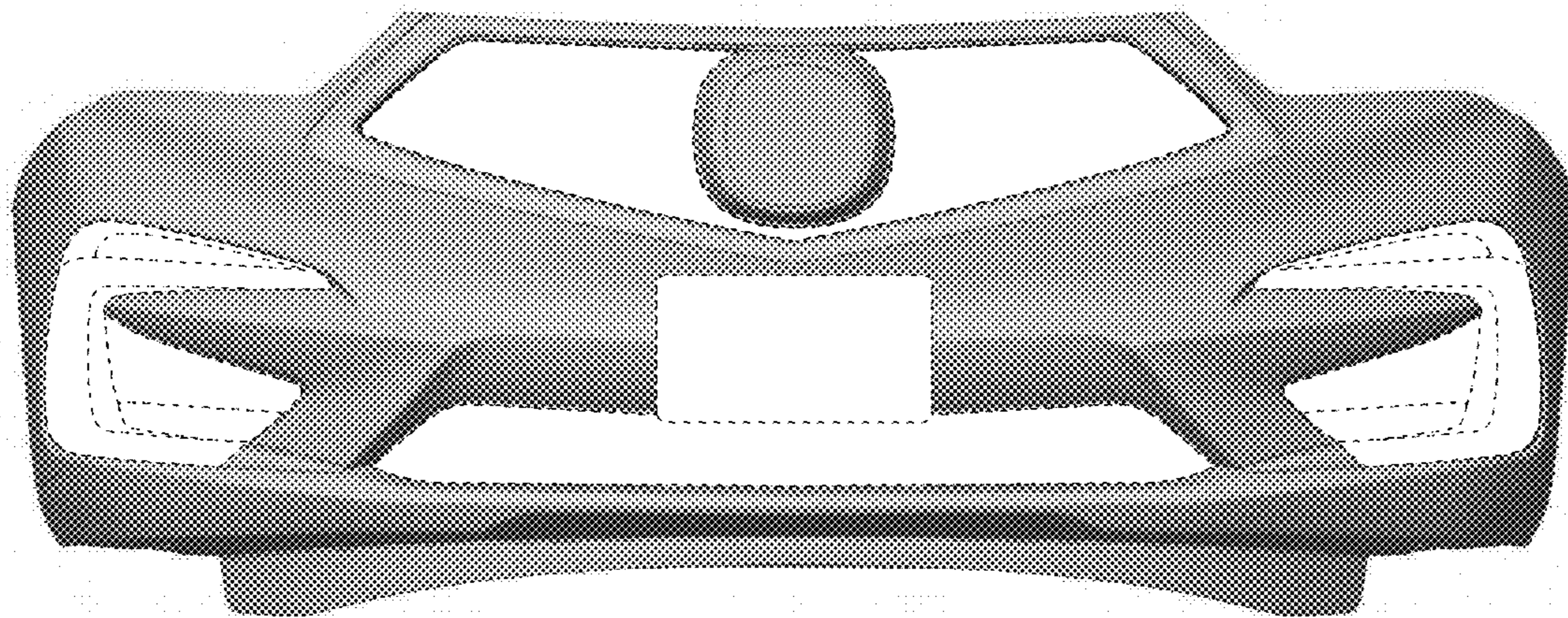
FIG. 1 is a top, front and right side perspective view of a front bumper showing my new design;
 FIG. 2 is a top, front and left side perspective view thereof;
 FIG. 3 is a top, rear and left side perspective view thereof;
 FIG. 4 is a top, rear and right side perspective view thereof.
 FIG. 5 is a front elevational view thereof;
 FIG. 6 is a rear elevational view thereof;
 FIG. 7 is a left side elevational view thereof;
 FIG. 8 is a right side elevational view thereof;
 FIG. 9 is a bottom plan view thereof; and,
 FIG. 10 is a top plan view thereof.
 The broken lines shown in the figures are included for the purpose of illustrating portions of the front bumper and form no part of the claimed design.

1 Claim, 10 Drawing Sheets

(56) **References Cited**

U.S. PATENT DOCUMENTS

- D790,405 S * 6/2017 Christensen D12/92
- D804,996 S * 12/2017 Sahara D12/91



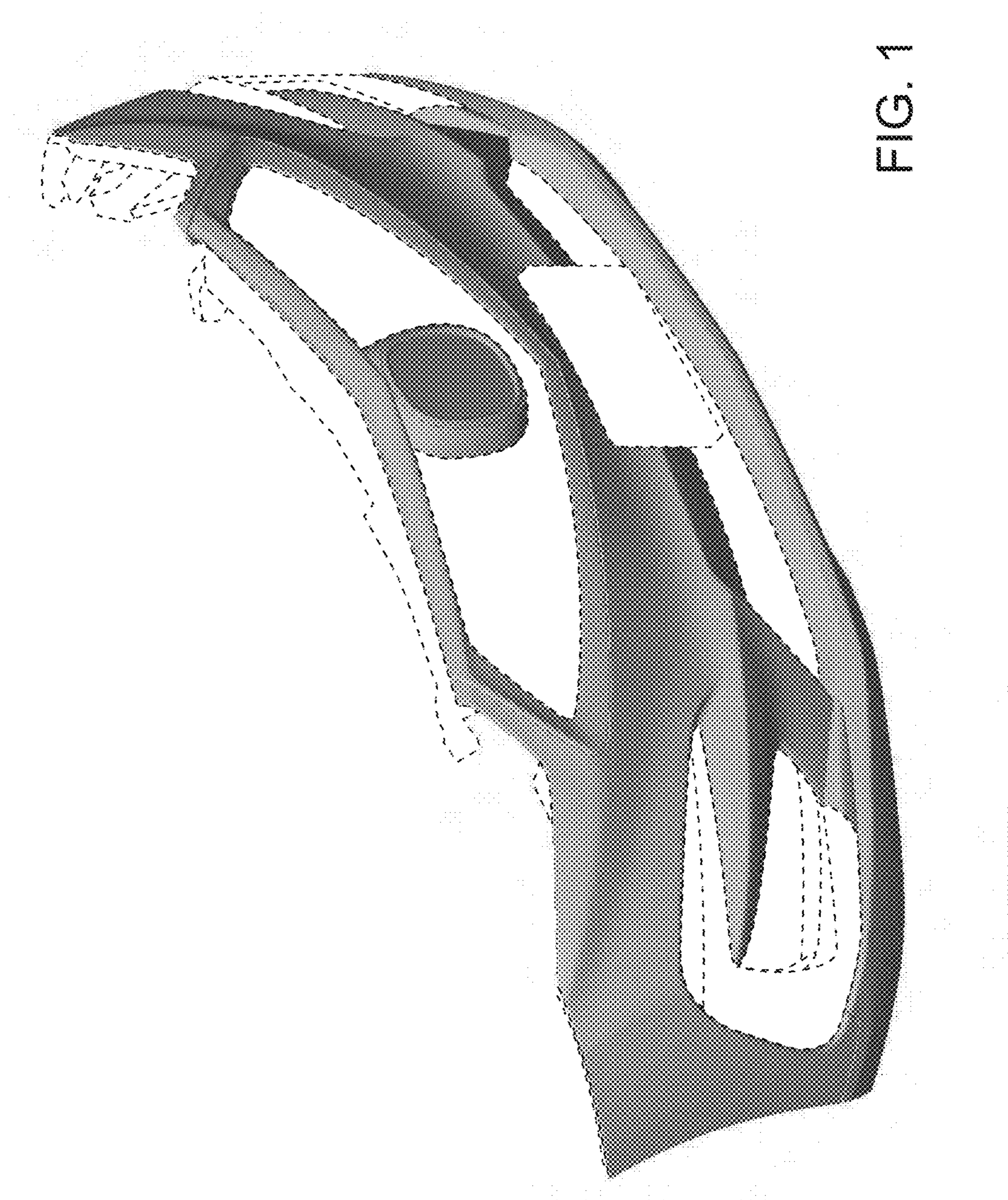


FIG. 1

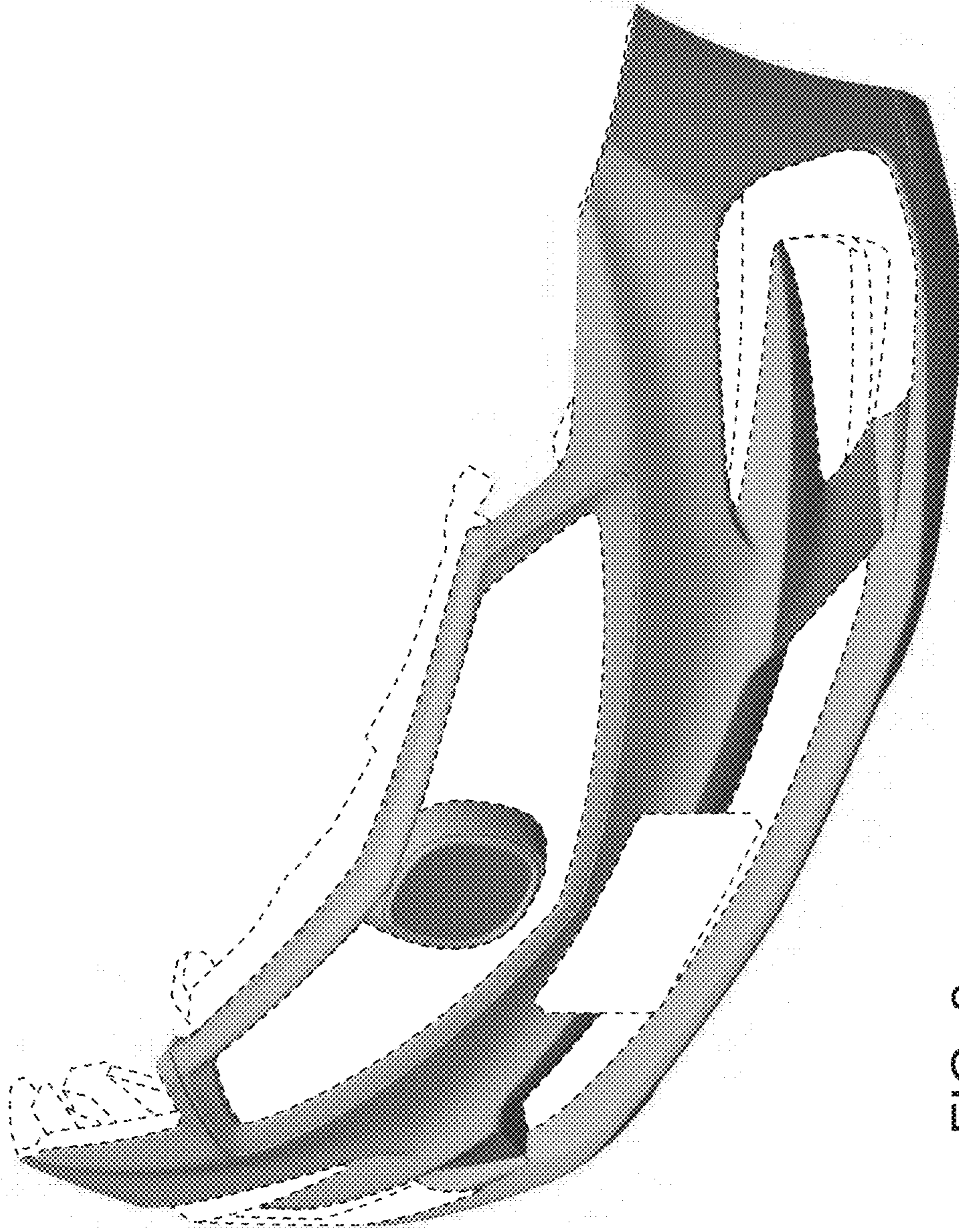


FIG. 2

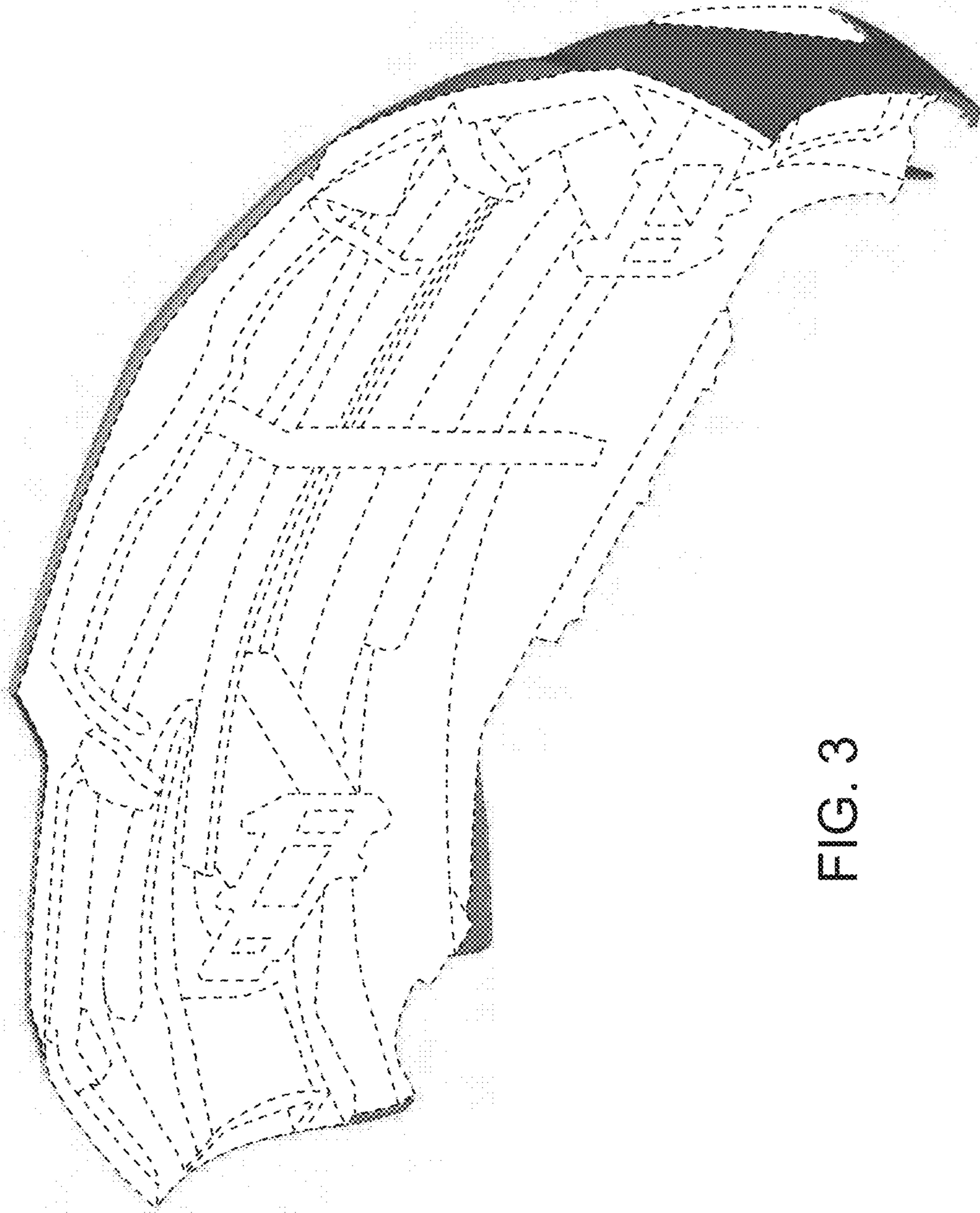


FIG. 3

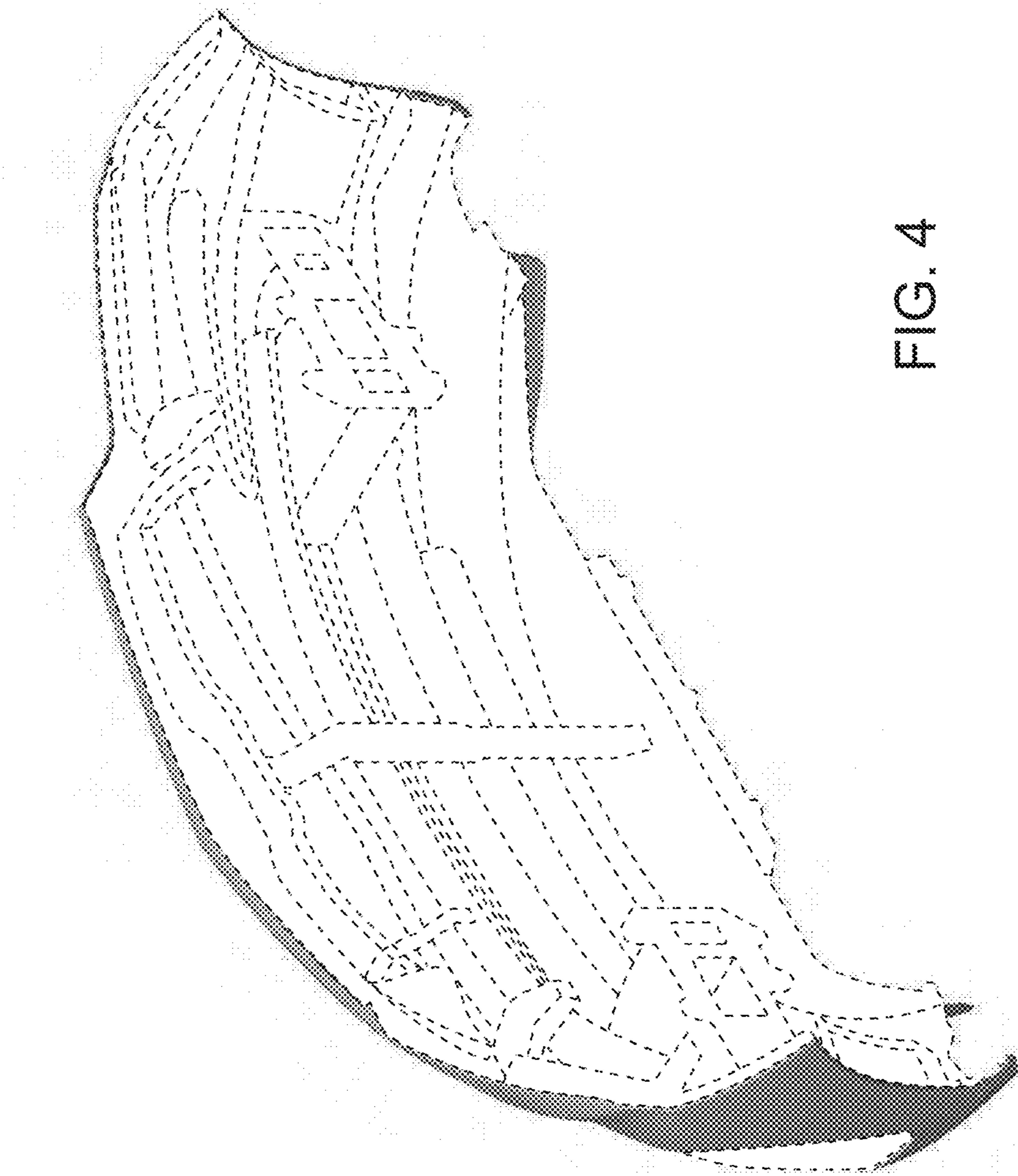


FIG. 4

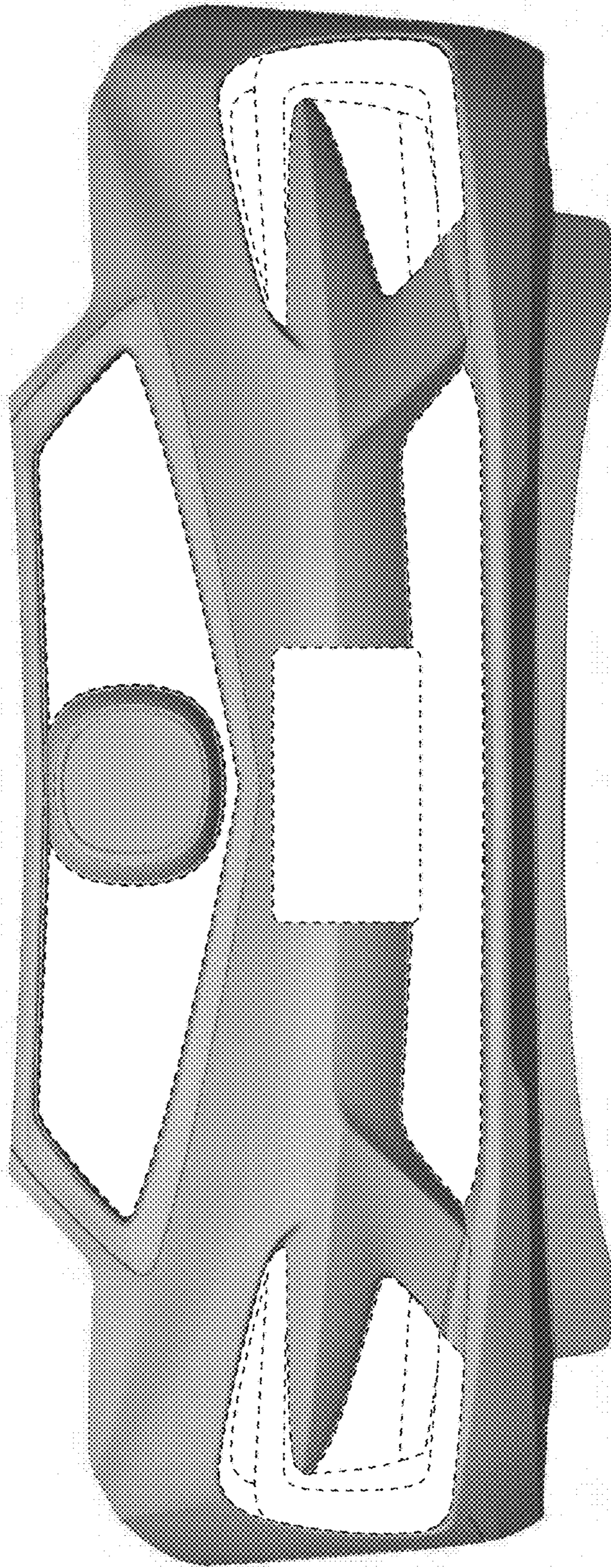


FIG. 5

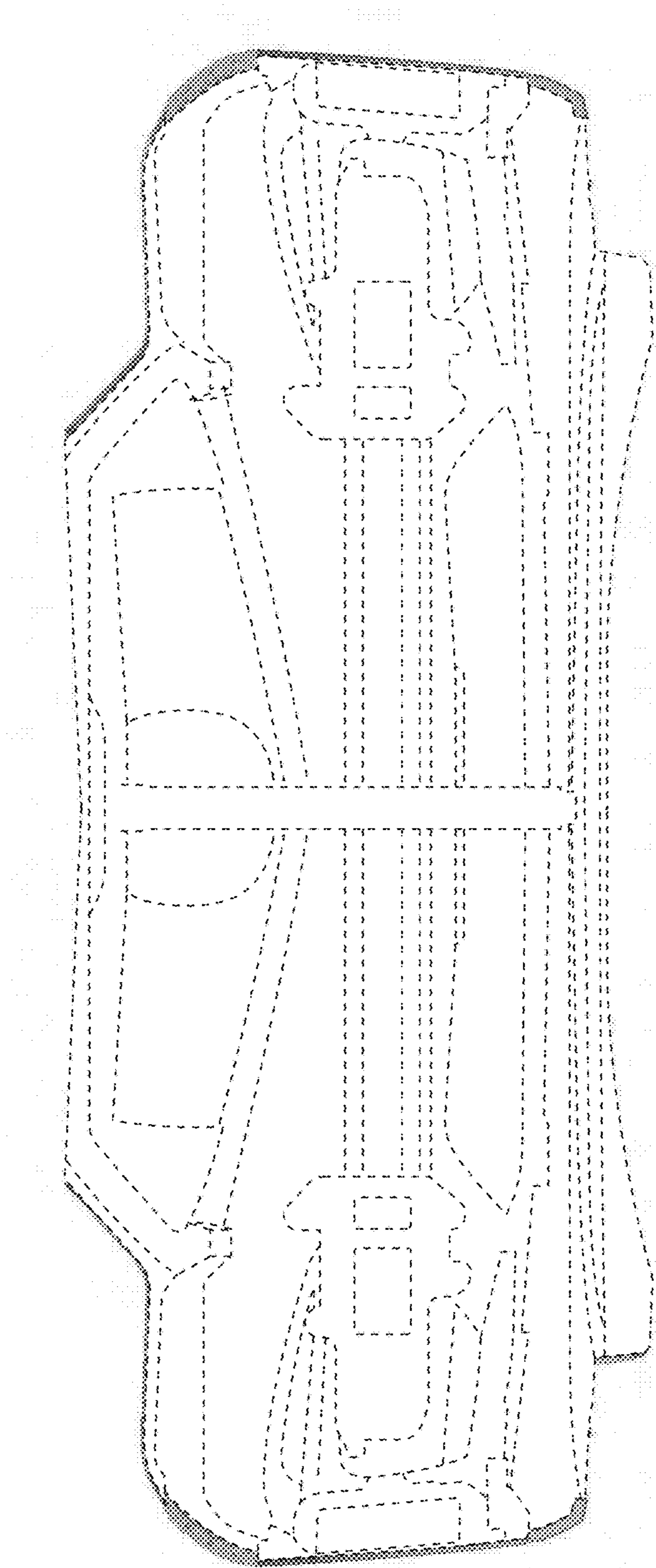


FIG. 6

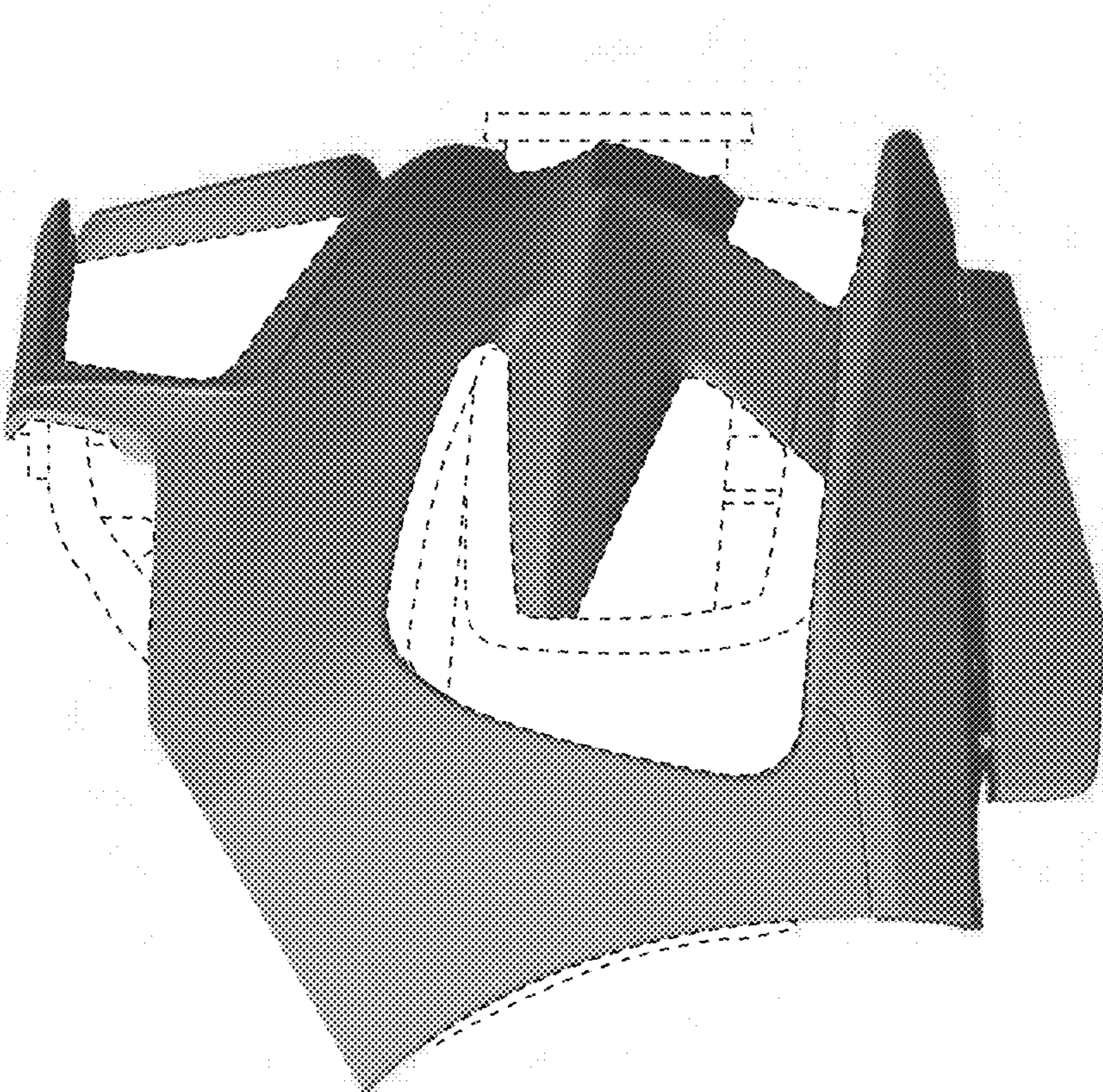


FIG. 7

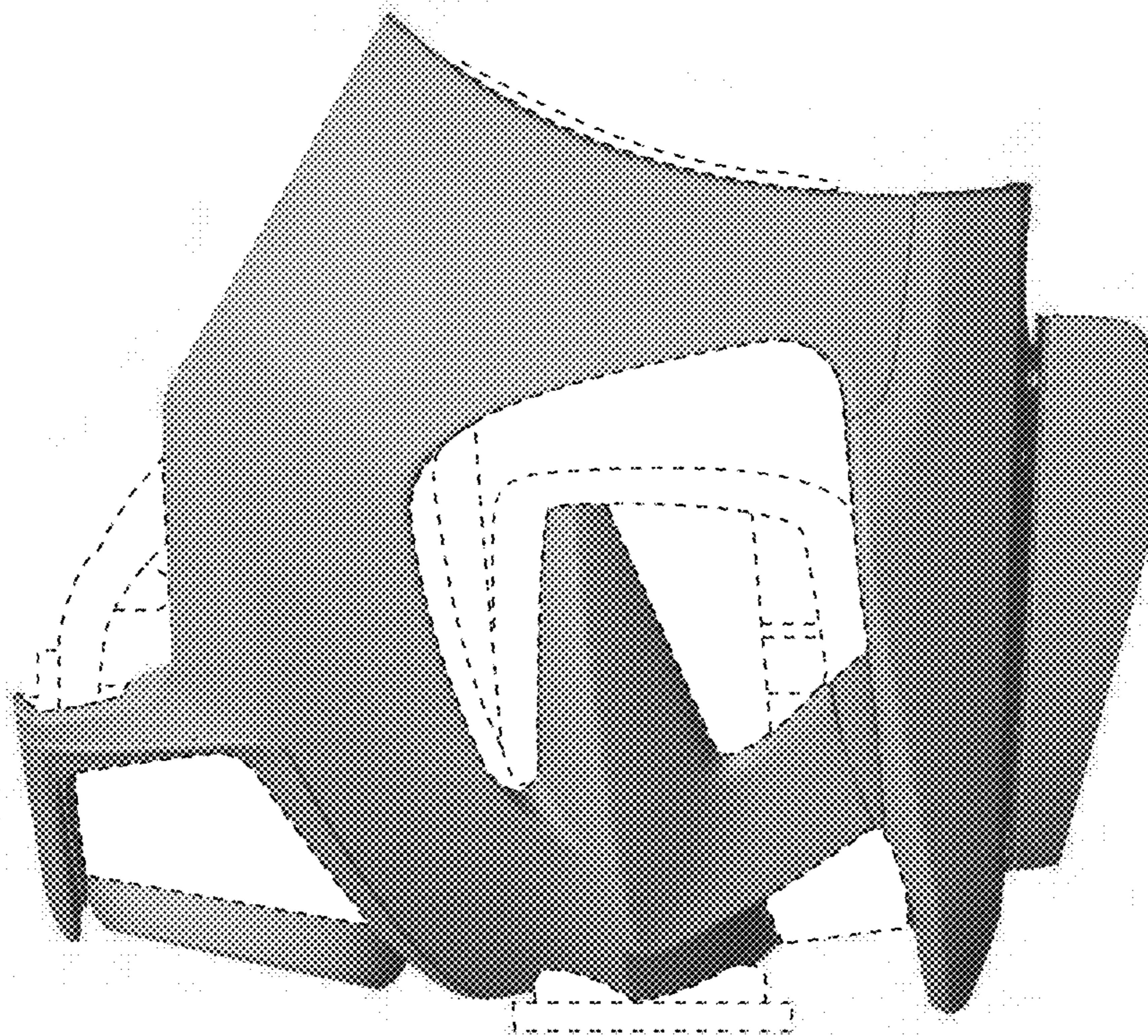


FIG. 8

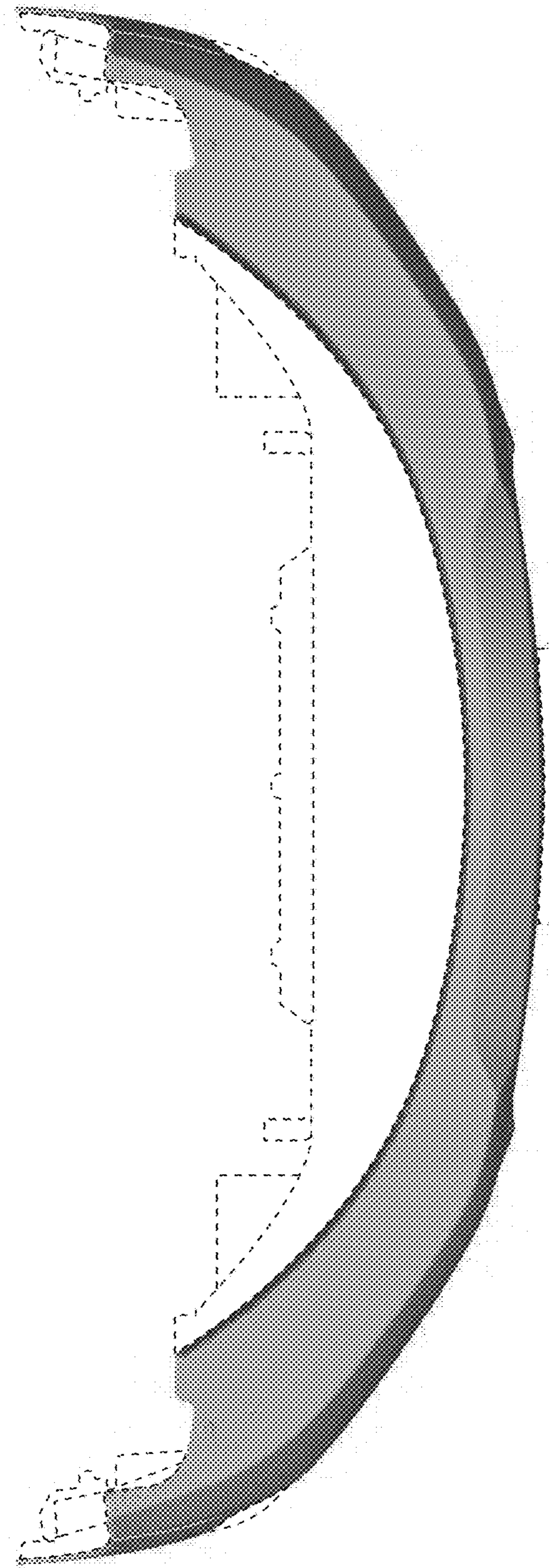


FIG. 9

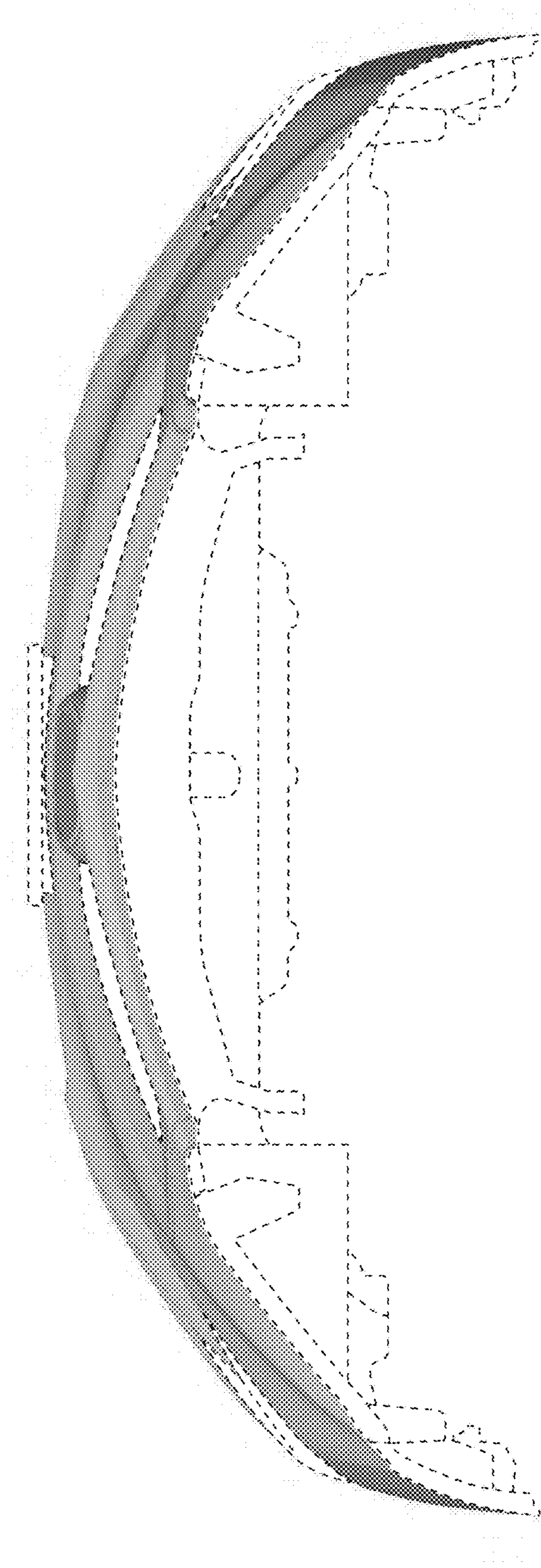


FIG. 10