



US00D855500S

(12) **United States Design Patent**  
**Metternich**

(10) **Patent No.:** **US D855,500 S**

(45) **Date of Patent:** **\*\* Aug. 6, 2019**

- (54) **KINGPIN COVER**
- (71) Applicant: **HAMBURGER PATENT  
SCHMIEDE GMBH, Buchholz (DE)**
- (72) Inventor: **Heinz-Ruediger Metternich,  
Eversen-Heide (DE)**
- (73) Assignee: **HAMBURGER PATENT  
SCHMIEDE GMBH, Buchholz (DE)**

D795,756 S *	8/2017	McCuskey	.....	B60D 1/06 D12/162
D797,008 S *	9/2017	Borkholder	.....	B66C 1/34 D12/162
D832,156 S *	10/2018	Johns	.....	D12/162
D832,749 S *	11/2018	McCuskey	.....	B60D 1/06 D12/162
D834,464 S *	11/2018	Cincunegui	.....	D12/162
D841,526 S *	2/2019	Siegel	.....	D12/162
2002/0190497 A1	12/2002	Metternich		

(\*\*) Term: **15 Years**

(21) Appl. No.: **29/622,839**

(22) Filed: **Oct. 20, 2017**

(51) **LOC (12) Cl.** ..... **12-16**

(52) **U.S. Cl.**  
USPC ..... **D12/162**

(58) **Field of Classification Search**  
CPC . B60D 1/60; B60D 1/065; B60D 1/00; B60D  
1/06

See application file for complete search history.

**FOREIGN PATENT DOCUMENTS**

DE	601 02 393 T2	2/2005
DE	20 2016 102 707 U1	7/2016
DE	20 2017 101 339 U1	5/2017
EM	003790435-0005	9/2017
EP	1 240 067 B1	9/2002

\* cited by examiner

*Primary Examiner* — Katrina A Betton

(74) *Attorney, Agent, or Firm* — Norman B. Thot

(57) **CLAIM**

The ornamental design for a kingpin cover, as shown and described.

(56) **References Cited**

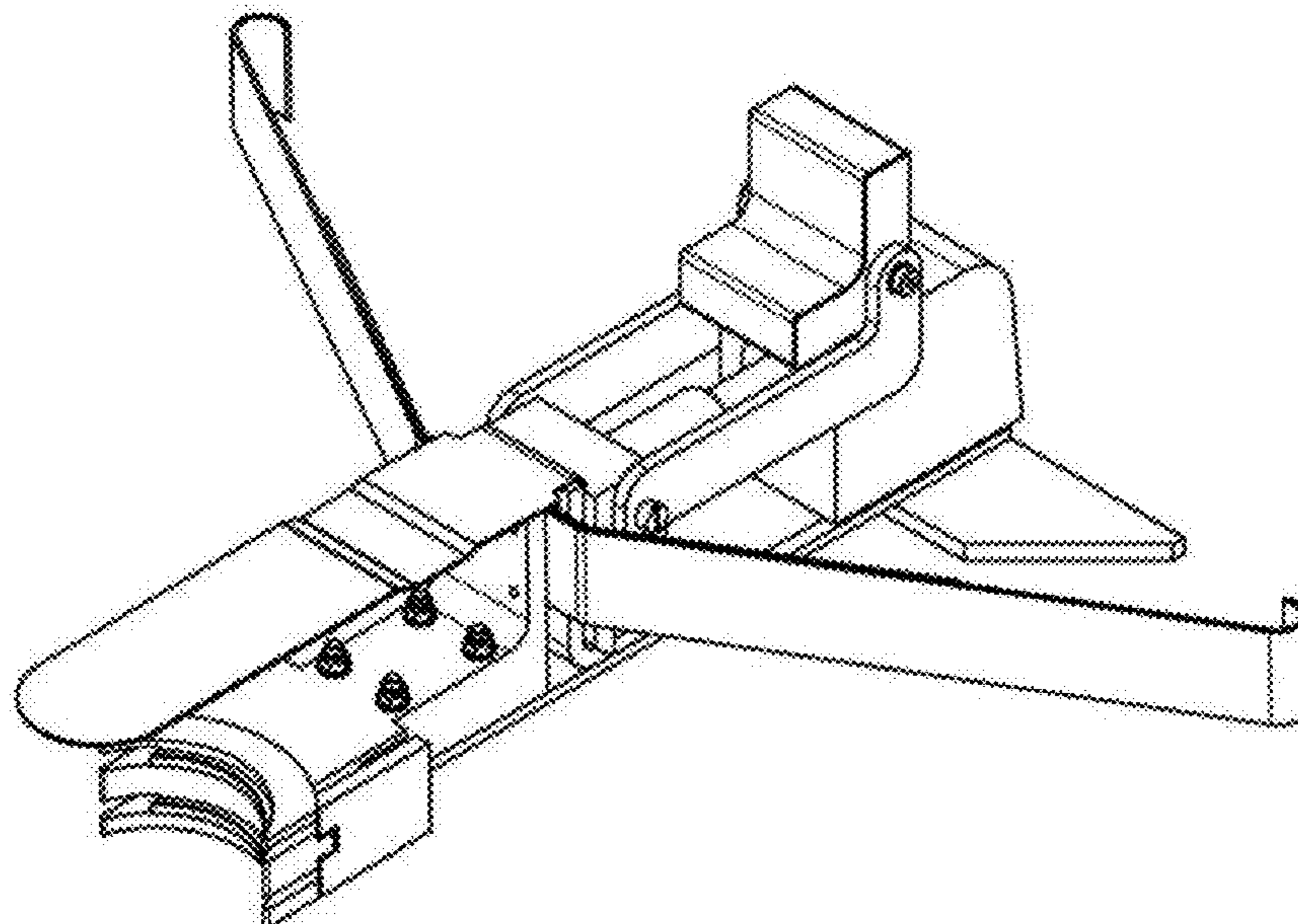
**U.S. PATENT DOCUMENTS**

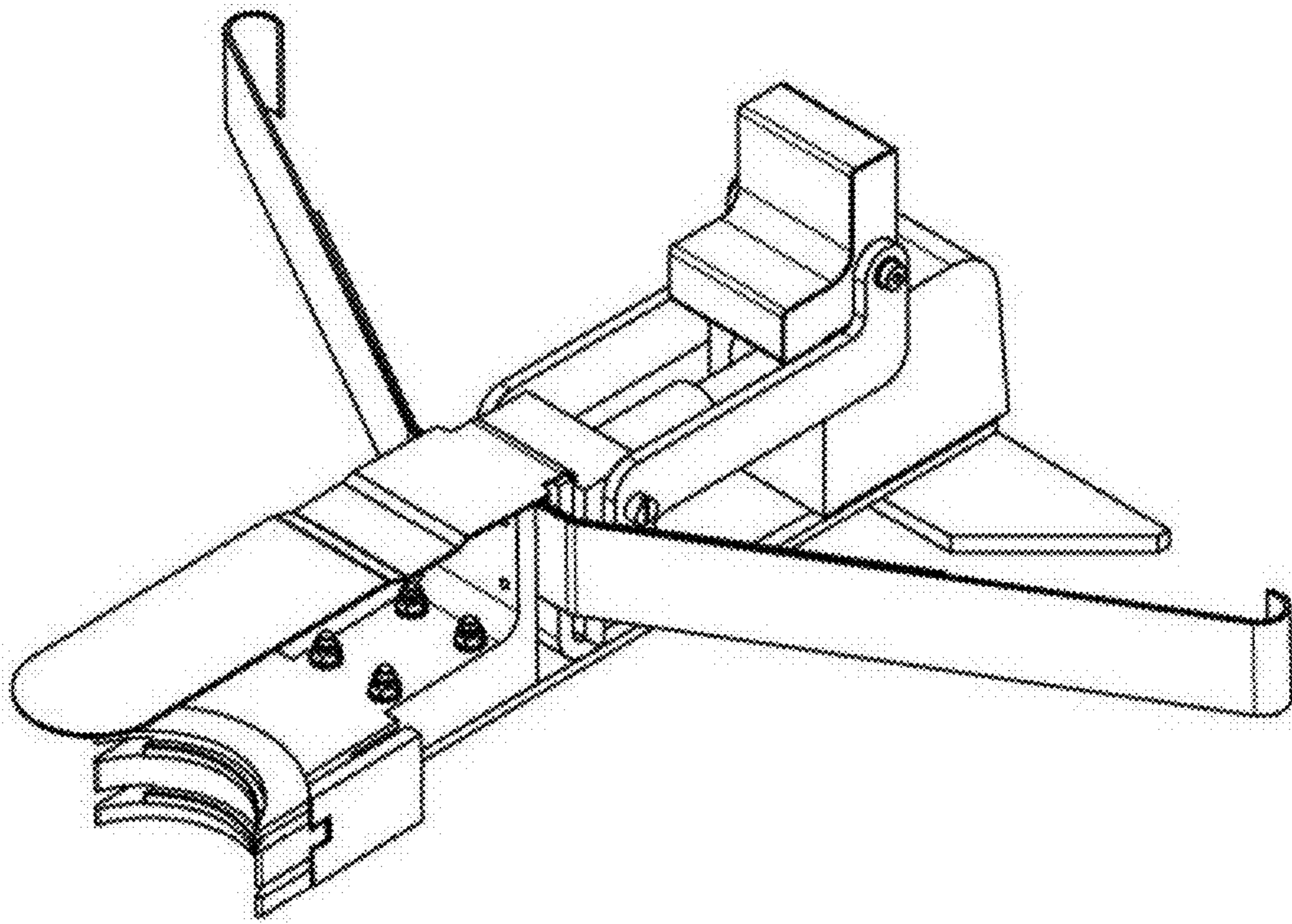
6,709,001 B1	3/2004	Morgan et al.	
D697,838 S *	1/2014	Borkholder	..... B60R 9/06 D12/162
D699,098 S *	2/2014	Fretz	..... D8/367
D727,803 S *	4/2015	Borkholder	..... F16B 45/02 D12/162
D729,703 S *	5/2015	Song	..... D12/162
D790,408 S *	6/2017	Wymore	..... D12/162
D794,515 S *	8/2017	McCuskey	..... D12/162
D794,516 S *	8/2017	Siegel	..... D12/162

**DESCRIPTION**

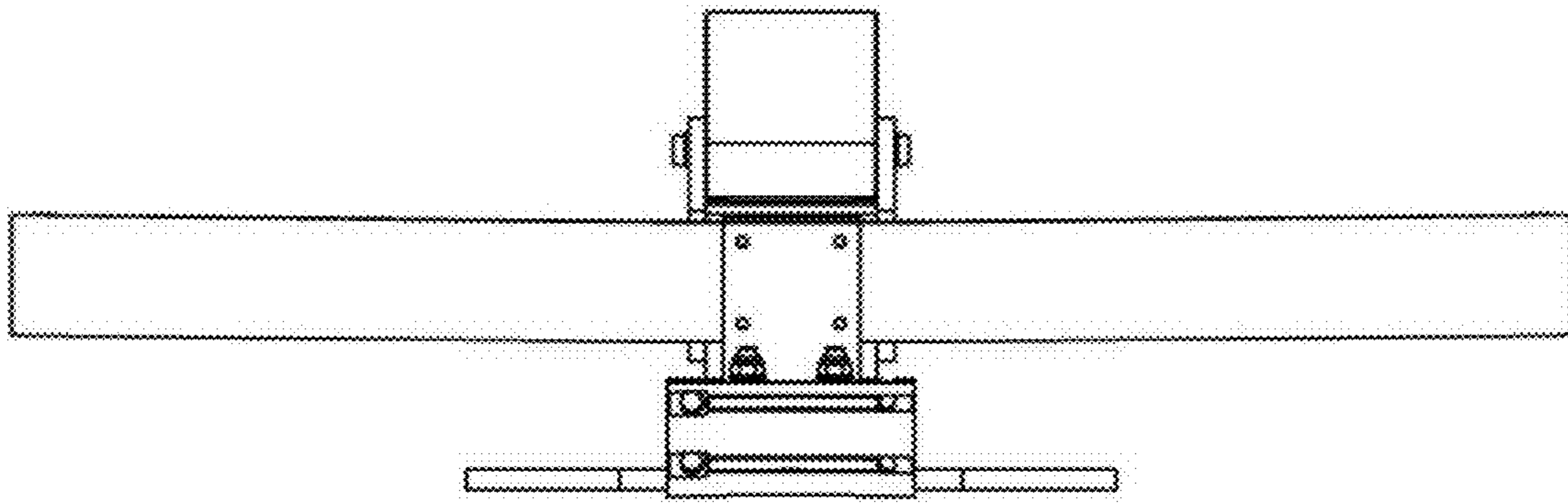
FIG. 1 is a front, right, top-side perspective view of the kingpin cover showing my new design;  
FIG. 2 is a front view thereof;  
FIG. 3 is a rear view thereof,  
FIG. 4 is a top view thereof;  
FIG. 5 is a bottom view thereof;  
FIG. 6 is a right-side view thereof; and,  
FIG. 7 is a left-side view thereof.

**1 Claim, 7 Drawing Sheets**

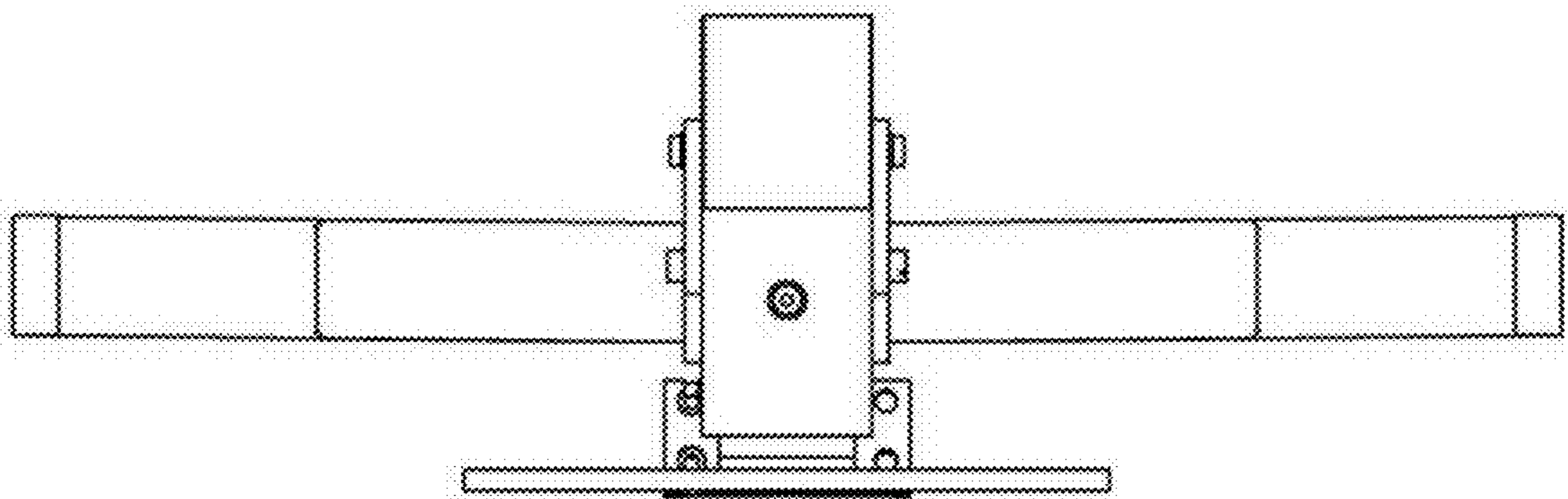




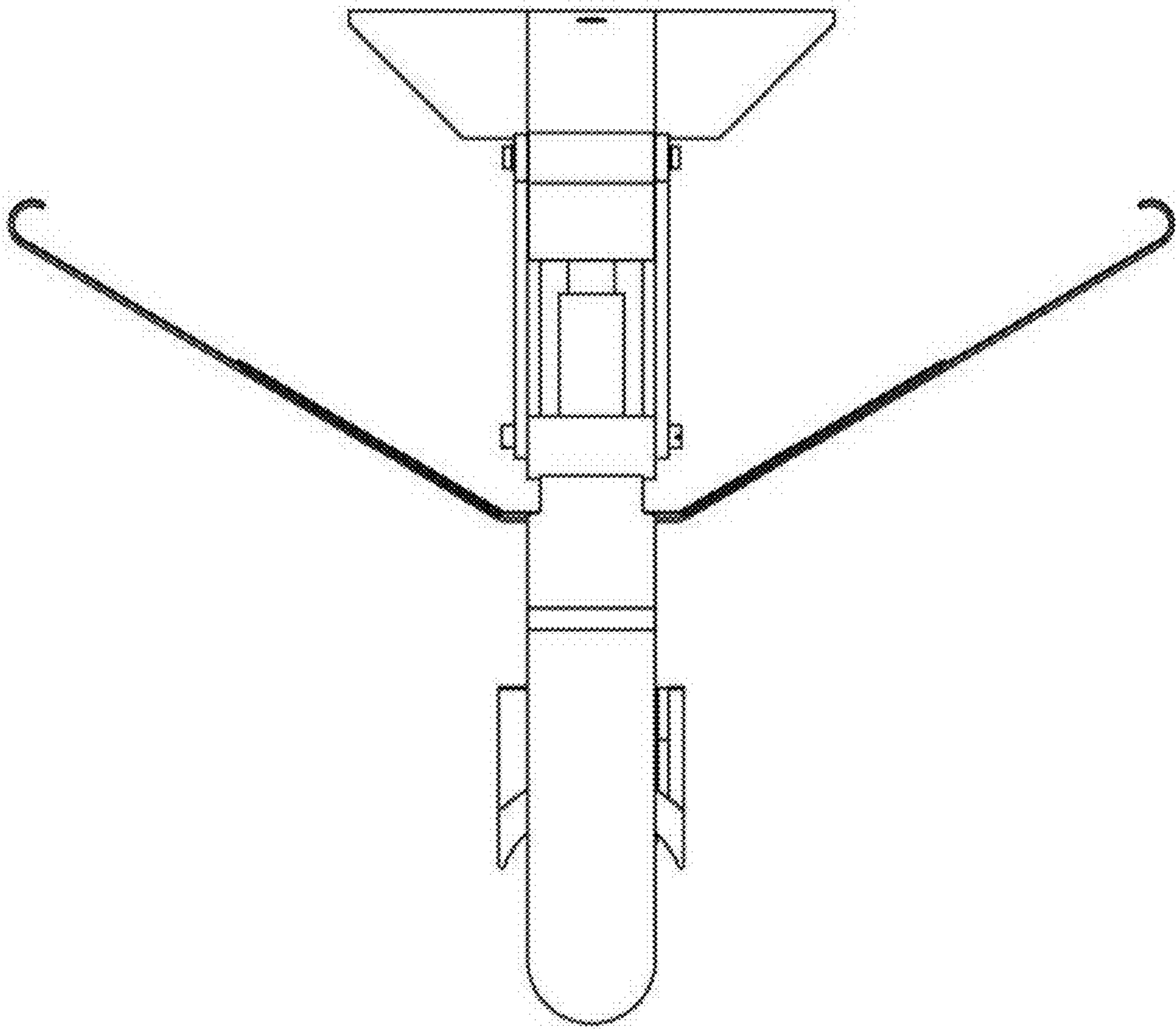
**Fig. 1**



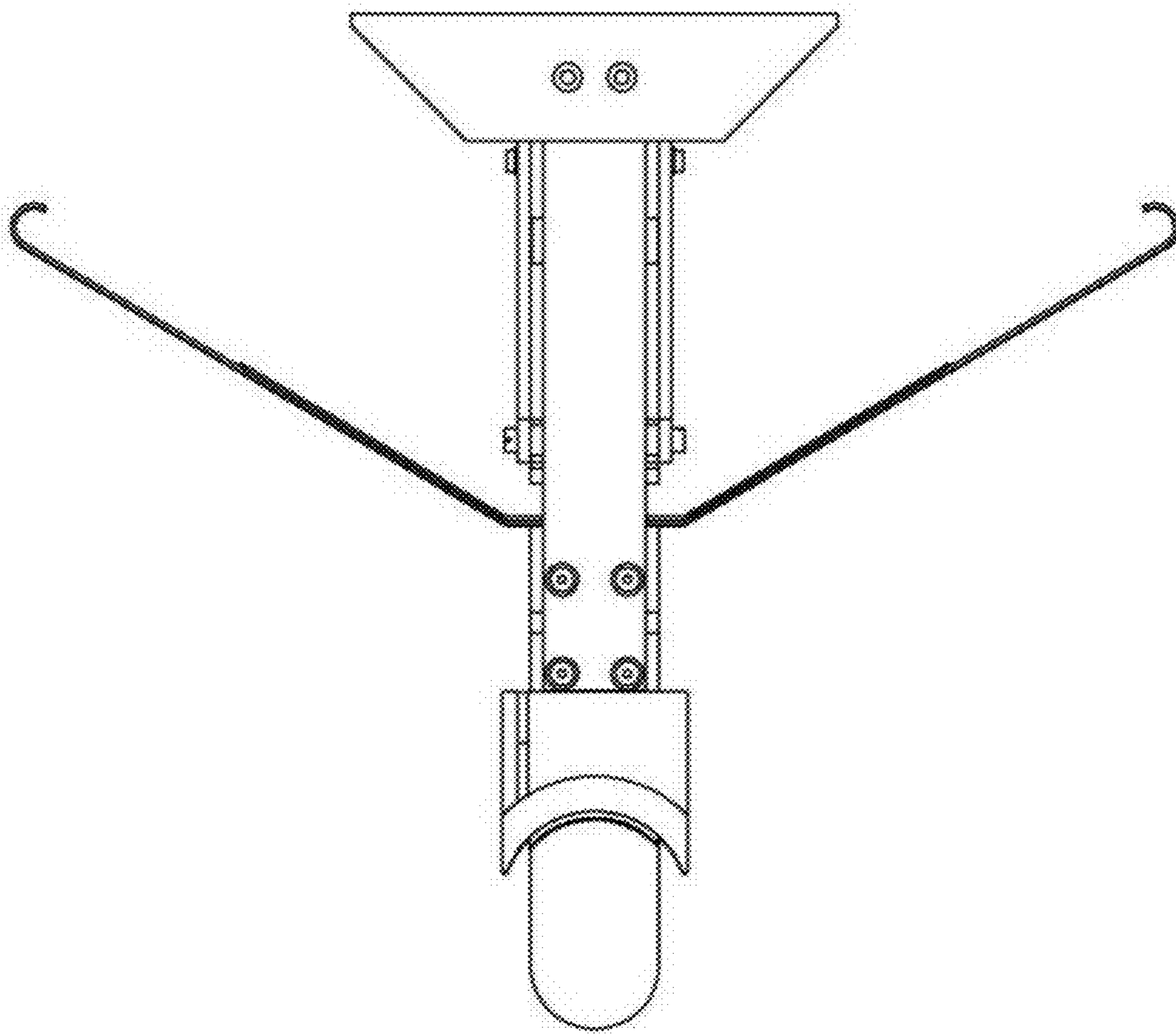
**Fig. 2**



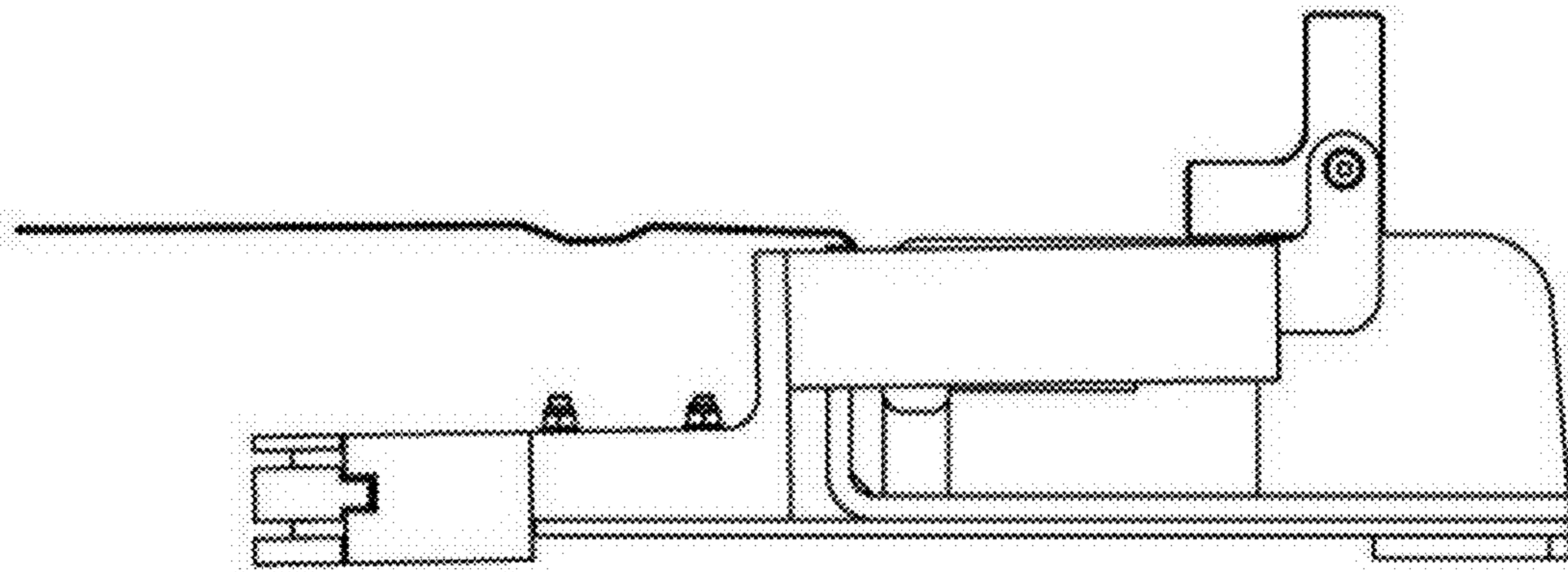
**Fig. 3**



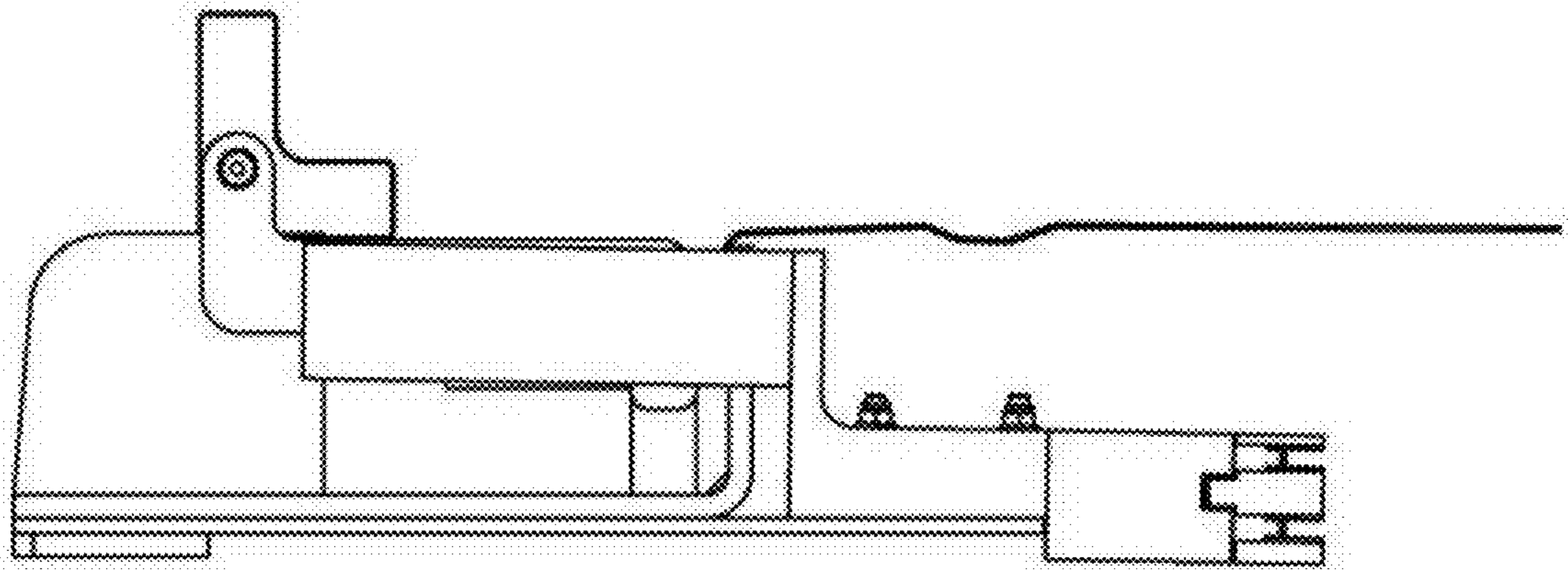
**Fig. 4**



**Fig. 5**



**Fig. 6**



**Fig. 7**