



US00D855495S

(12) **United States Design Patent** (10) **Patent No.:** **US D855,495 S**
Glickenhaas (45) **Date of Patent:** **** Aug. 6, 2019**

- (54) **VEHICLE**
- (71) Applicant: **Scuderia Cameron Glickenhaas LLC**,
Sleepy Hollow, NY (US)
- (72) Inventor: **James Glickenhaas**, Sleepy Hollow,
NY (US)
- (73) Assignee: **Scuderia Cameron Glickenhaas LLC**,
Sleepy Hollow, NY (US)

D732,431 S *	6/2015	Loeb	D12/91
D741,752 S *	10/2015	Messale	D12/91
D754,563 S *	4/2016	Behmer	D12/91
D755,674 S *	5/2016	Perini	D12/88
D756,847 S *	5/2016	Nicoghosian	D12/88
D766,776 S *	9/2016	Rezvani	D12/88
D767,446 S *	9/2016	Stephenson	D12/88
D768,035 S *	10/2016	Goto	D12/88
D790,399 S *	6/2017	Perini	D12/88
D801,227 S *	10/2017	Stephenson	D12/88
D817,814 S *	5/2018	Nurnberger	D12/88
D827,494 S *	9/2018	Manzoni	D12/88

(**) Term: **15 Years**

* cited by examiner

(21) Appl. No.: **29/625,771**

Primary Examiner — Melody N Brown

(22) Filed: **Nov. 13, 2017**

(74) *Attorney, Agent, or Firm* — Carter, DeLuca & Farrell
LLP

(51) **LOC (12) Cl.** **12-08**

(57) **CLAIM**

(52) **U.S. Cl.**
USPC **D12/91**

The ornamental design for a vehicle, as shown and
described.

(58) **Field of Classification Search**
USPC D12/86, 90–92, 88; D21/424, 433, 434;
296/181.1–181.5, 183.1
CPC B62D 25/00; B62D 25/06; B62D 33/00;
B62D 35/00
See application file for complete search history.

DESCRIPTION

(56) **References Cited**

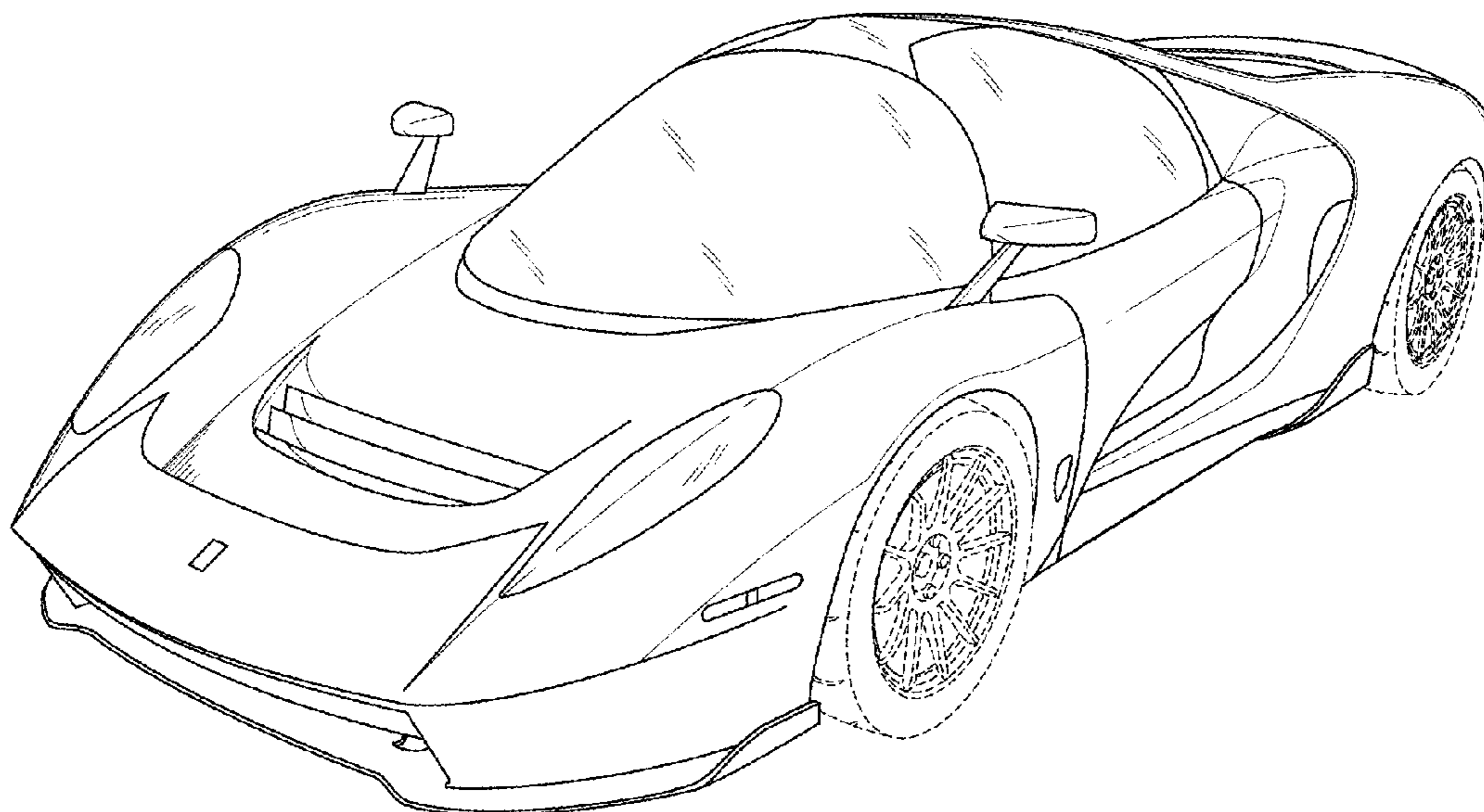
U.S. PATENT DOCUMENTS

D147,039 S	7/1947	Frazier
D707,590 S	6/2014	Bowlby
D714,188 S	9/2014	Bowlby
D729,696 S	5/2015	Bowlby
D732,426 S	6/2015	Bowlby

FIG. 1 is a front perspective view of a vehicle in accordance
with the present design;
FIG. 2 is a front view thereof;
FIG. 3 is a rear view thereof;
FIG. 4 is a left side view thereof;
FIG. 5 is a right side view thereof;
FIG. 6 is a bottom view thereof; and,
FIG. 7 is a top view thereof.

The broken lines shown in the drawings form no part of the
claimed design.

1 Claim, 4 Drawing Sheets



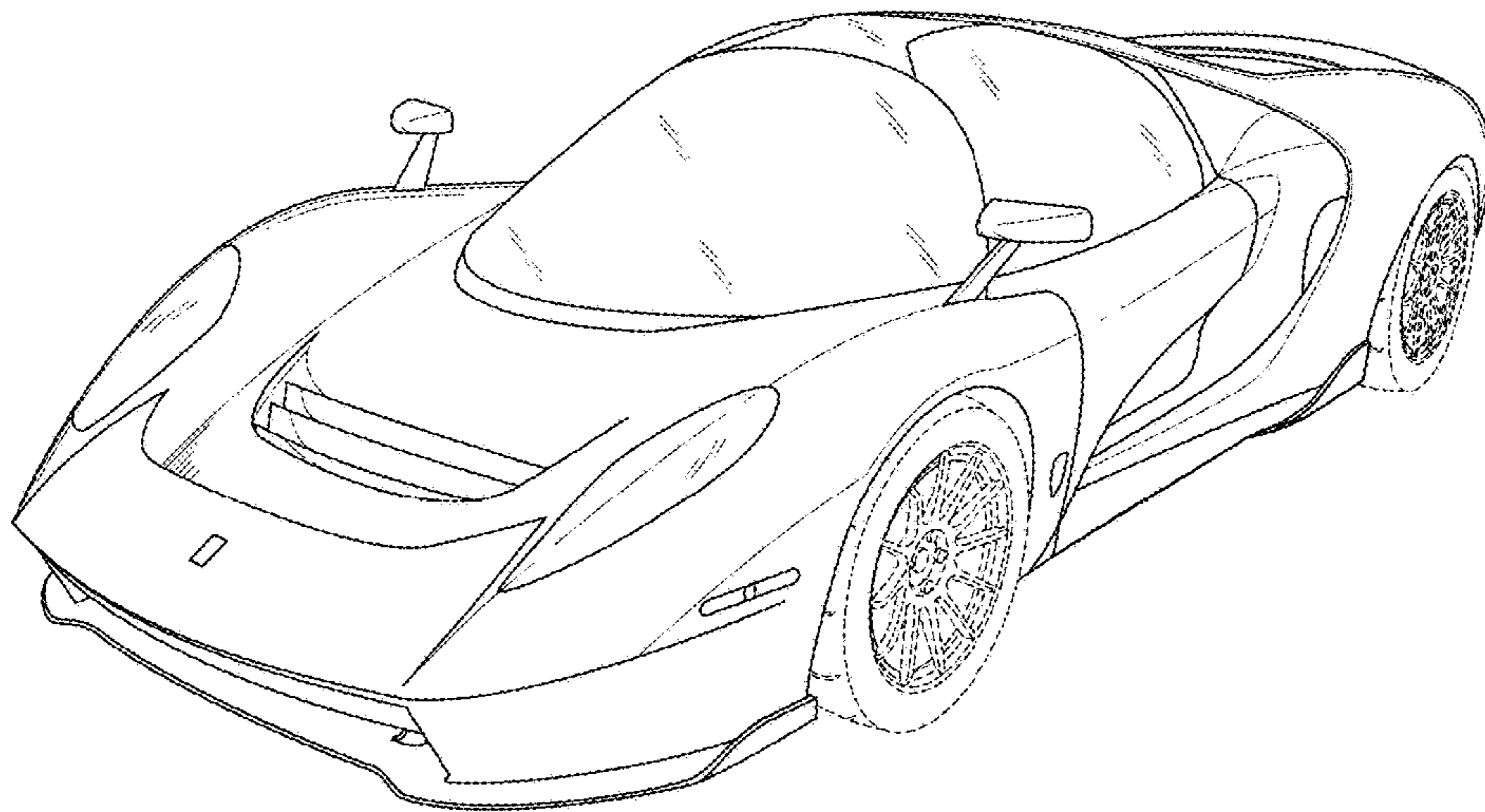


FIG. 1

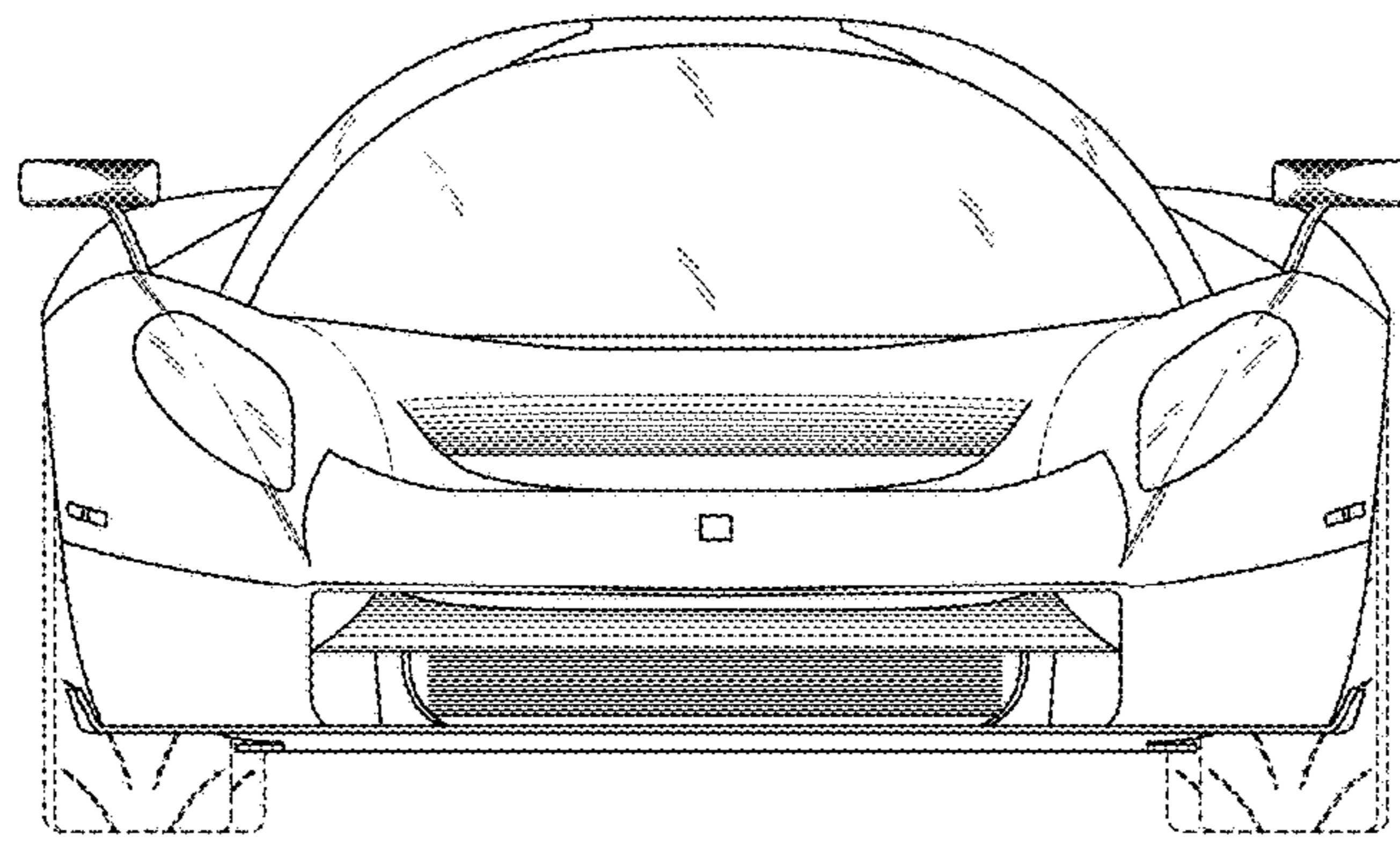


FIG. 2

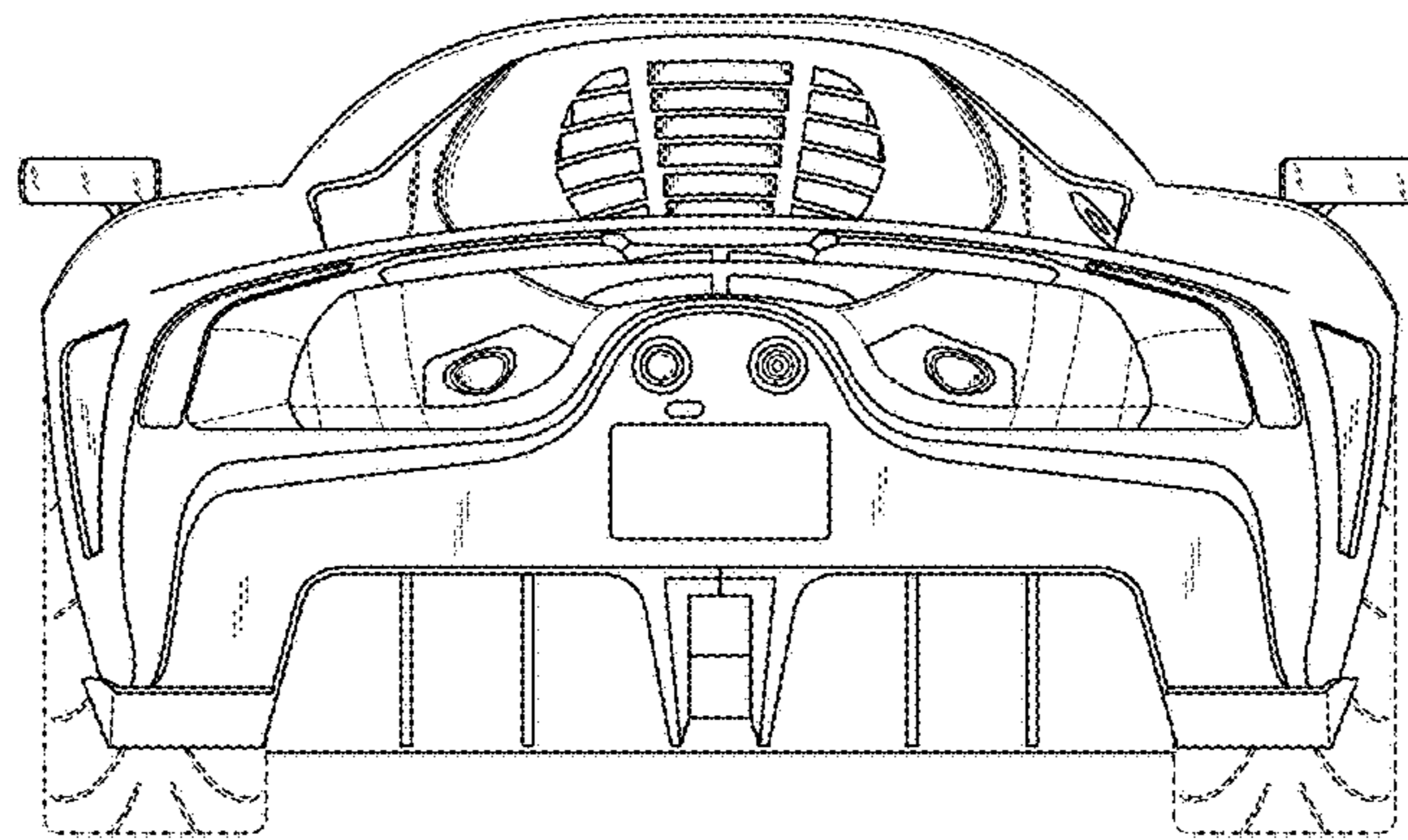


FIG. 3

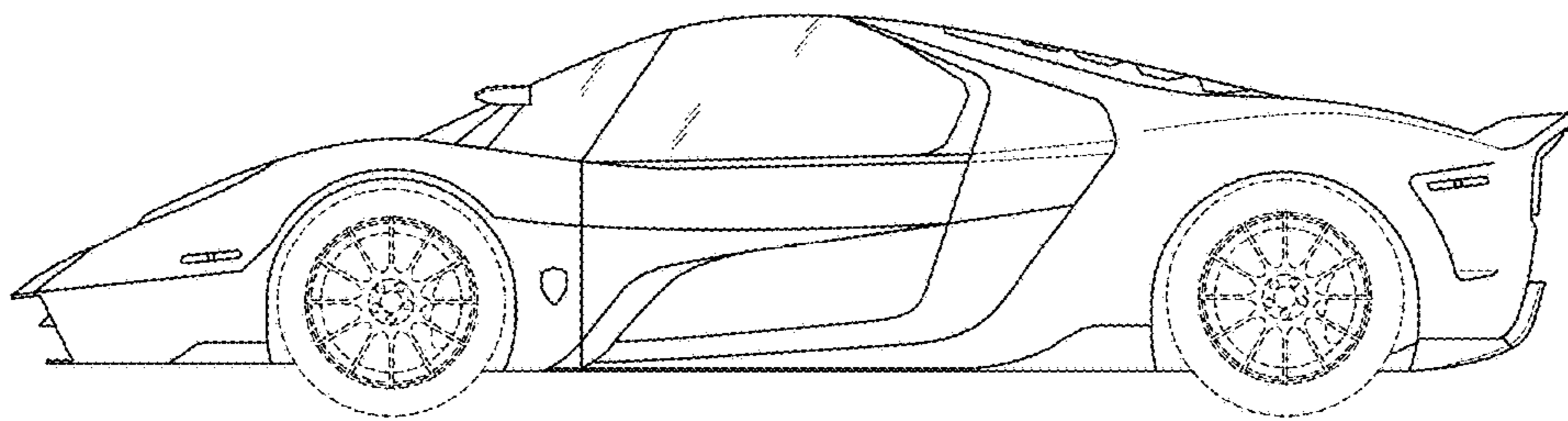


FIG. 4

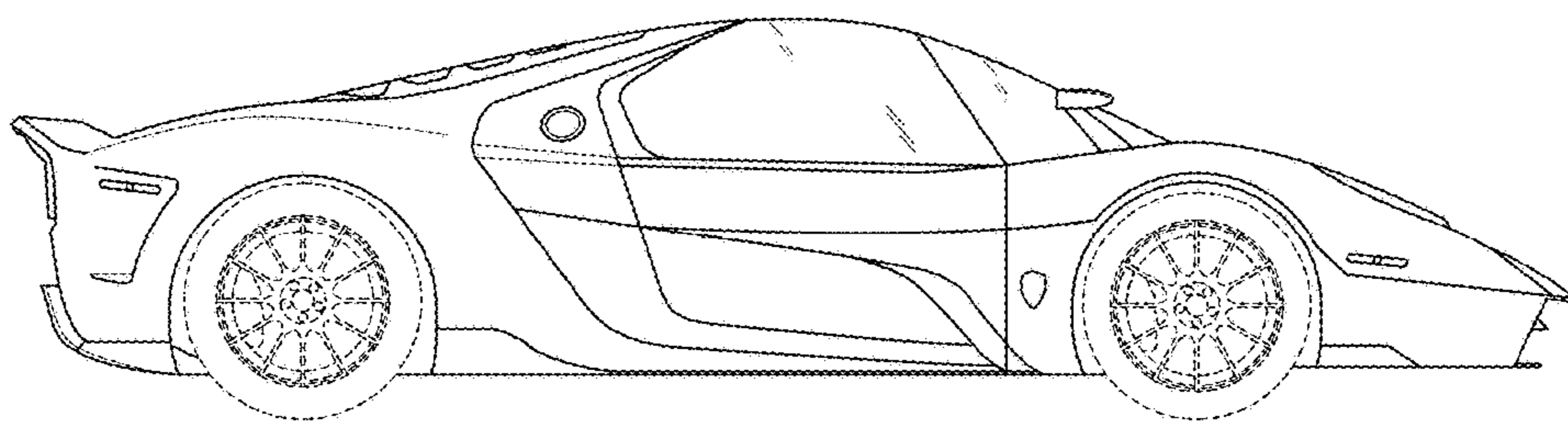


FIG. 5

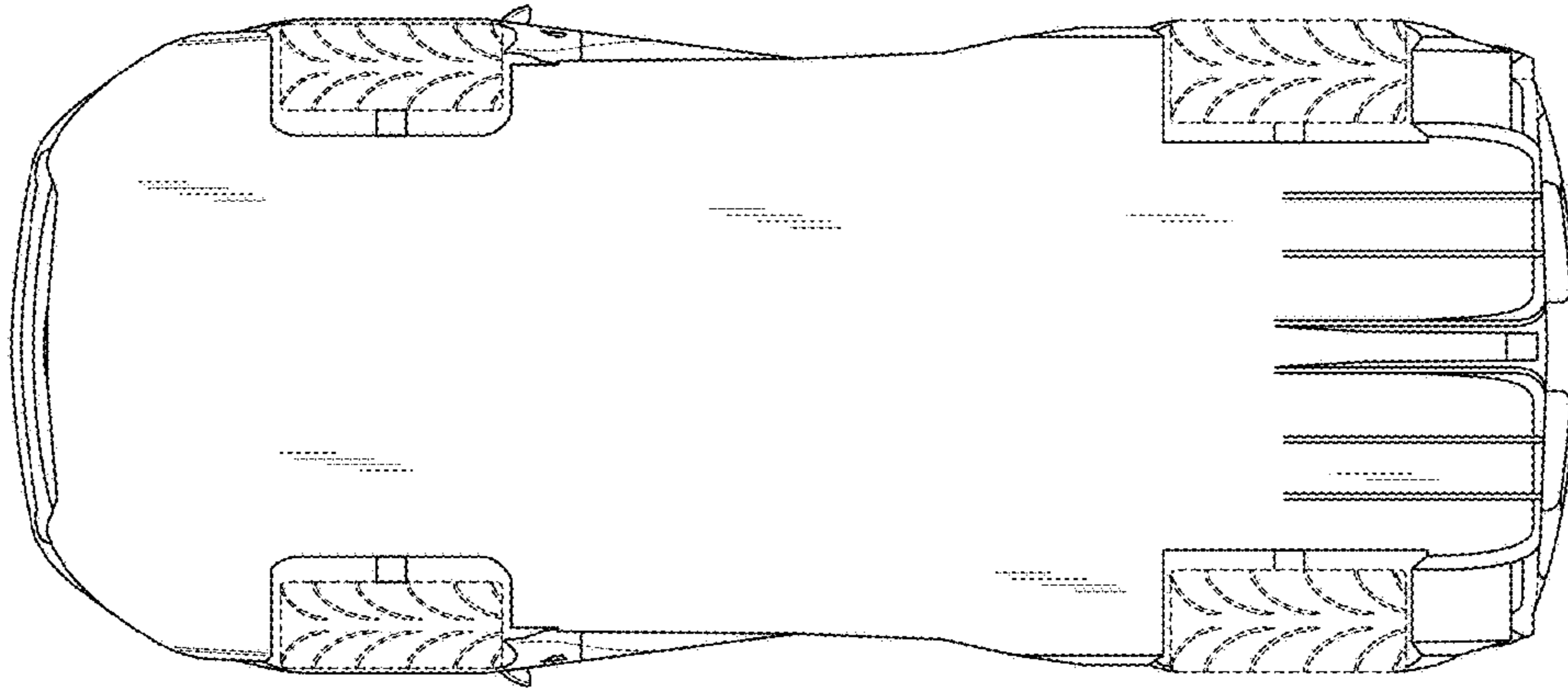


FIG. 6

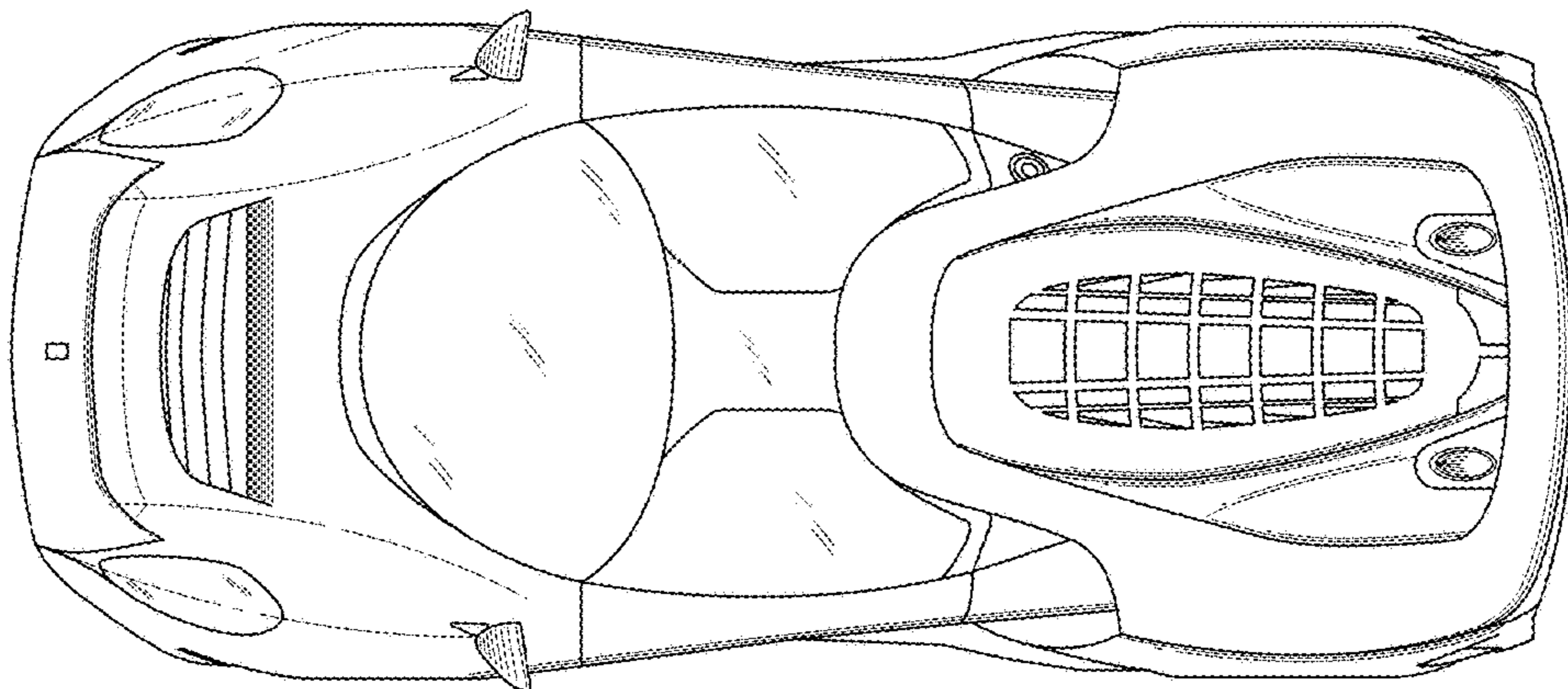


FIG. 7