



US00D855493S

(12) **United States Design Patent**  
**Van Rooijen**

(10) **Patent No.:** **US D855,493 S**

(45) **Date of Patent:** **\*\* Aug. 6, 2019**

(54) **PLANT CONTAINER**

(71) Applicant: **Goldfields Collections Pty Ltd,**  
Clayton South (AU)

(72) Inventor: **Nicolaas Van Rooijen,** Clayton South  
(AU)

(73) Assignee: **GOLDFIELDS COLLECTIONS PTY LTD,** Clayton South (AU)

(\*\*) Term: **15 Years**

(21) Appl. No.: **29/591,708**

(22) Filed: **Jan. 23, 2017**

(51) **LOC (12) Cl.** ..... **11-02**

(52) **U.S. Cl.**  
USPC ..... **D11/156**

(58) **Field of Classification Search**  
USPC ..... D11/151, 154, 156, 152, 157, 143, 148,  
D11/425; D6/403, 405, 513, 556, 572,  
D6/565, 573, 675.1, 680.1; D21/338;  
D23/267; D25/164; D34/7; D3/276,  
D3/292, 308, 313, 315; D7/359, 550.1,  
D7/554.3, 600; D8/381; D99/5; D9/425  
CPC ..... A47G 7/044; A01G 31/02  
See application file for complete search history.

(56) **References Cited**

**U.S. PATENT DOCUMENTS**

D174,300 S \* 3/1955 Waterman ..... 206/816  
D234,530 S \* 3/1975 Waltzman ..... D11/155

D261,902 S \* 11/1981 Oakley ..... D19/22  
D273,667 S \* 5/1984 Vuarnesson ..... D11/143  
D352,516 S \* 11/1994 Newman ..... D24/218  
D492,079 S \* 6/2004 Feltman ..... D99/5  
7,437,846 B2 \* 10/2008 Franco ..... A47G 1/065  
206/449  
D605,974 S \* 12/2009 Williams ..... D11/157  
D651,121 S \* 12/2011 Grimme ..... D11/143  
D748,363 S \* 1/2016 Hackett ..... D99/5  
D785,897 S \* 5/2017 Florek ..... D99/5

\* cited by examiner

*Primary Examiner* — Karen S Acker

*Assistant Examiner* — Steven B Reinholdt, Jr.

(74) *Attorney, Agent, or Firm* — Seed IP Law Group LLP

(57) **CLAIM**

The ornamental design for a plant container, as shown and described.

**DESCRIPTION**

FIG. 1 is a perspective view of a plant container showing my new design.

FIG. 2 is a rear perspective view thereof.

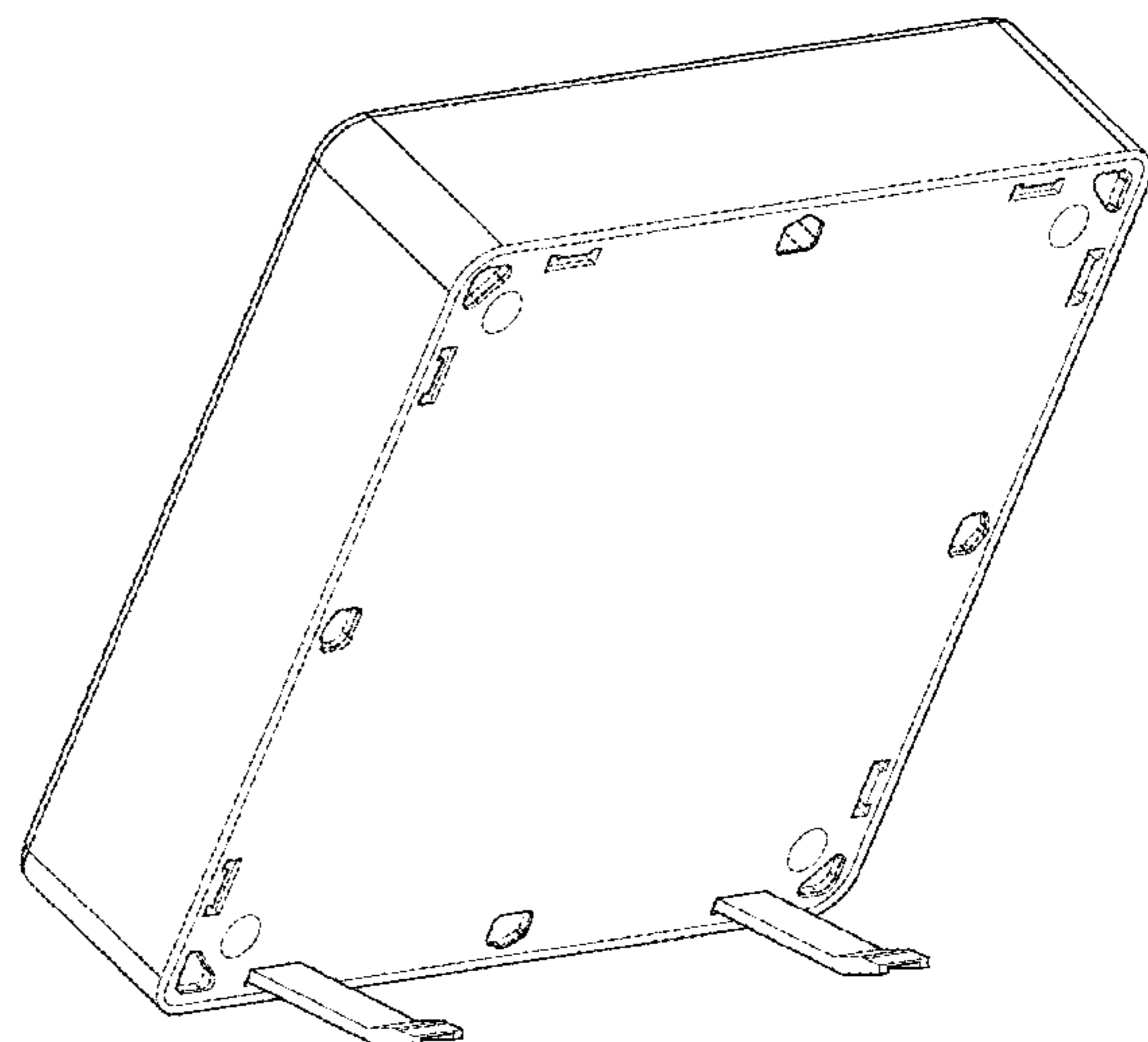
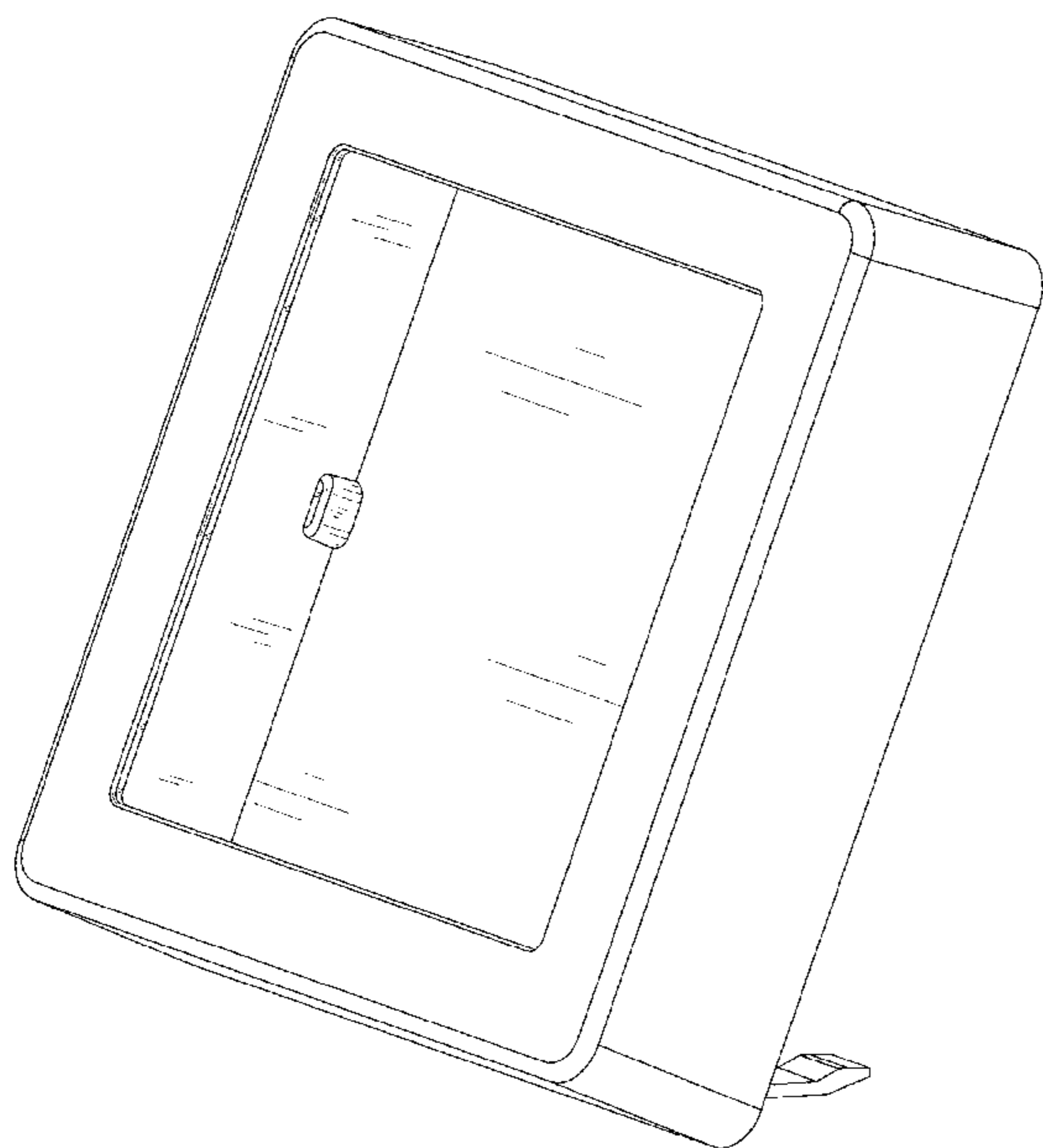
FIG. 3 is a side view thereof.

FIG. 4 is a front prospective view thereof; and,

FIG. 5 is a cross-sectional view thereof taken along line 5-5 in FIG. 4.

The broken lines in the figures depict portions of the plant container that form no part of the claimed design.

**1 Claim, 5 Drawing Sheets**



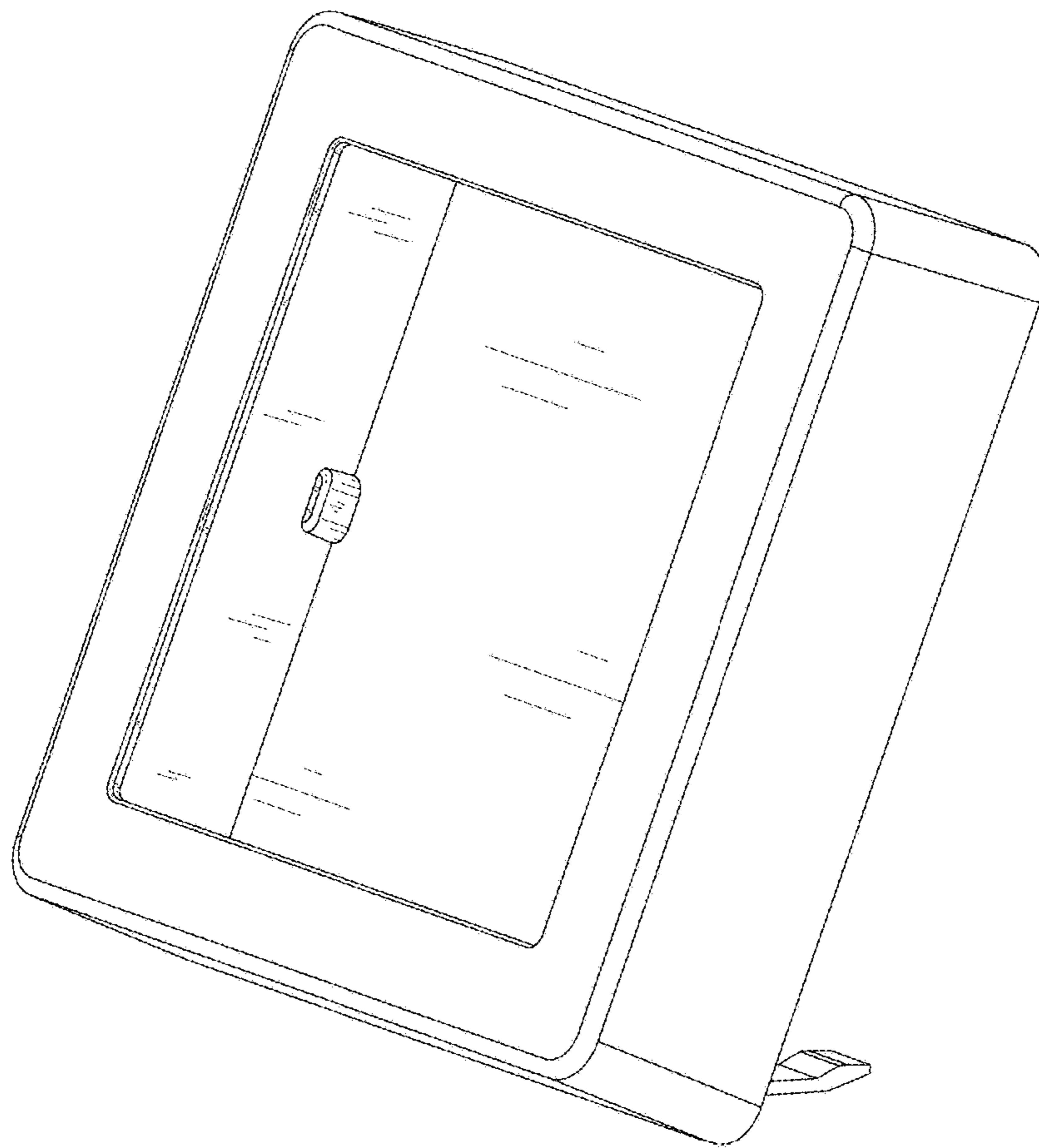


FIG. 1

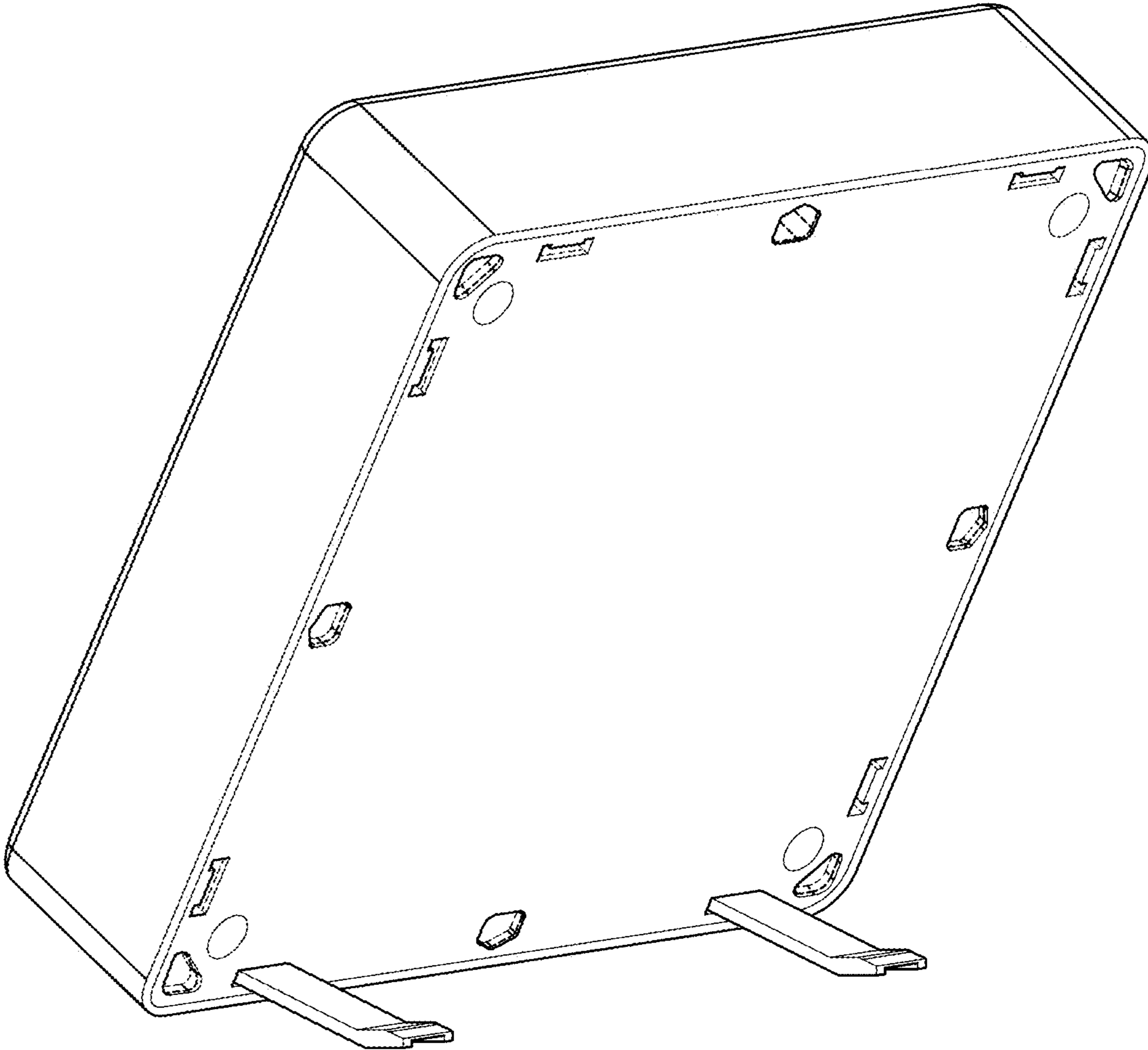
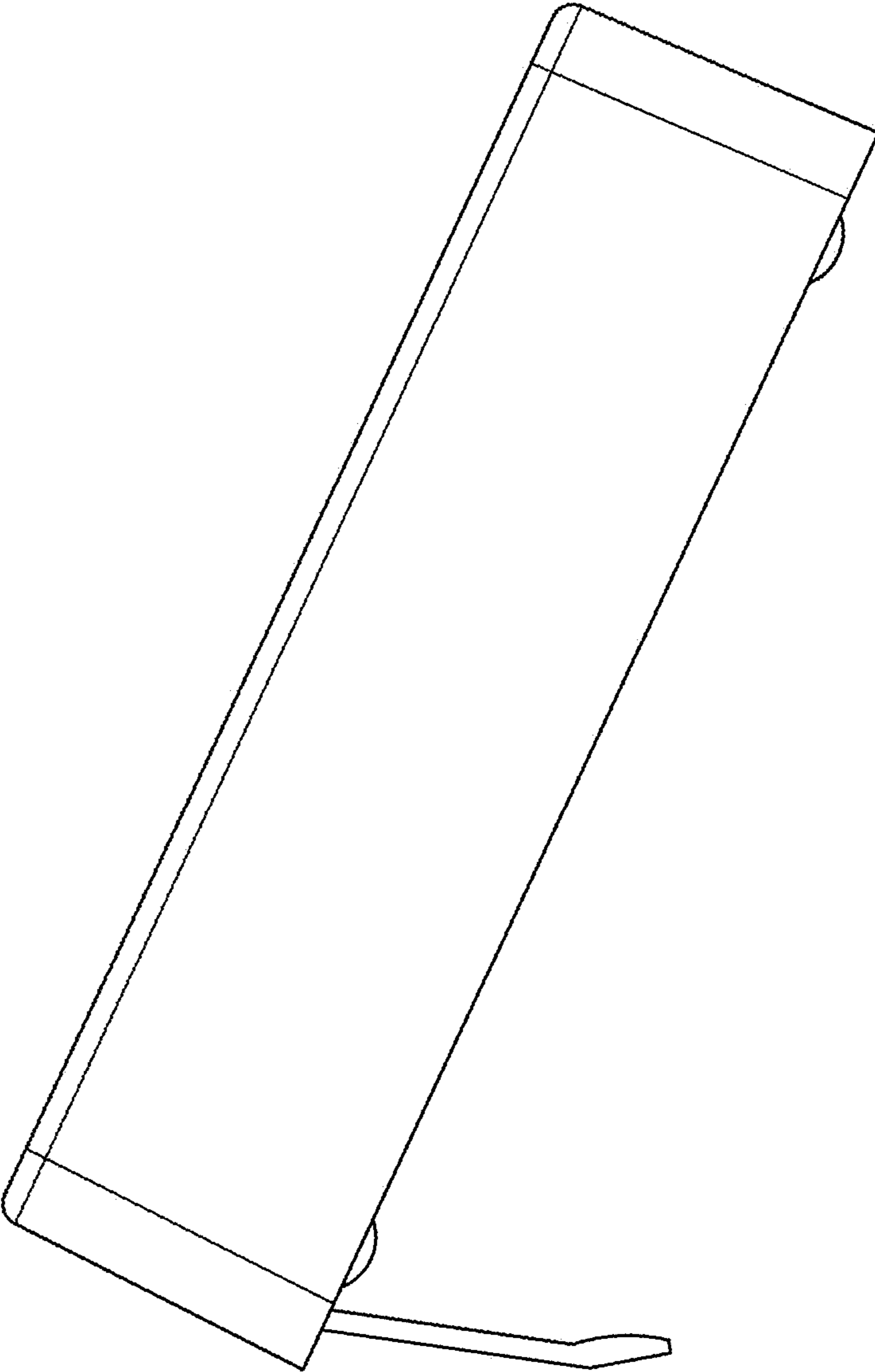


FIG. 2



*FIG. 3*

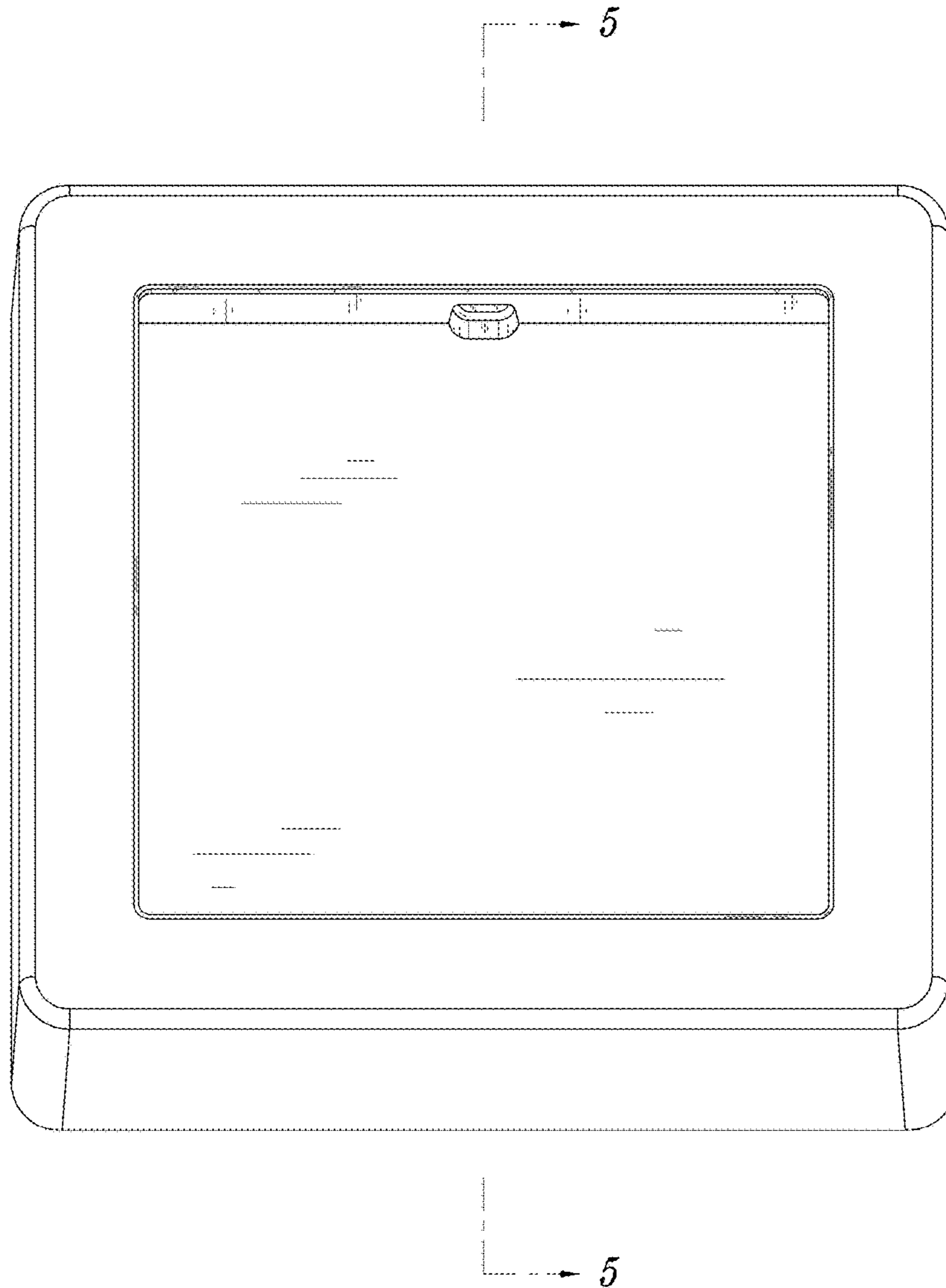


FIG. 4

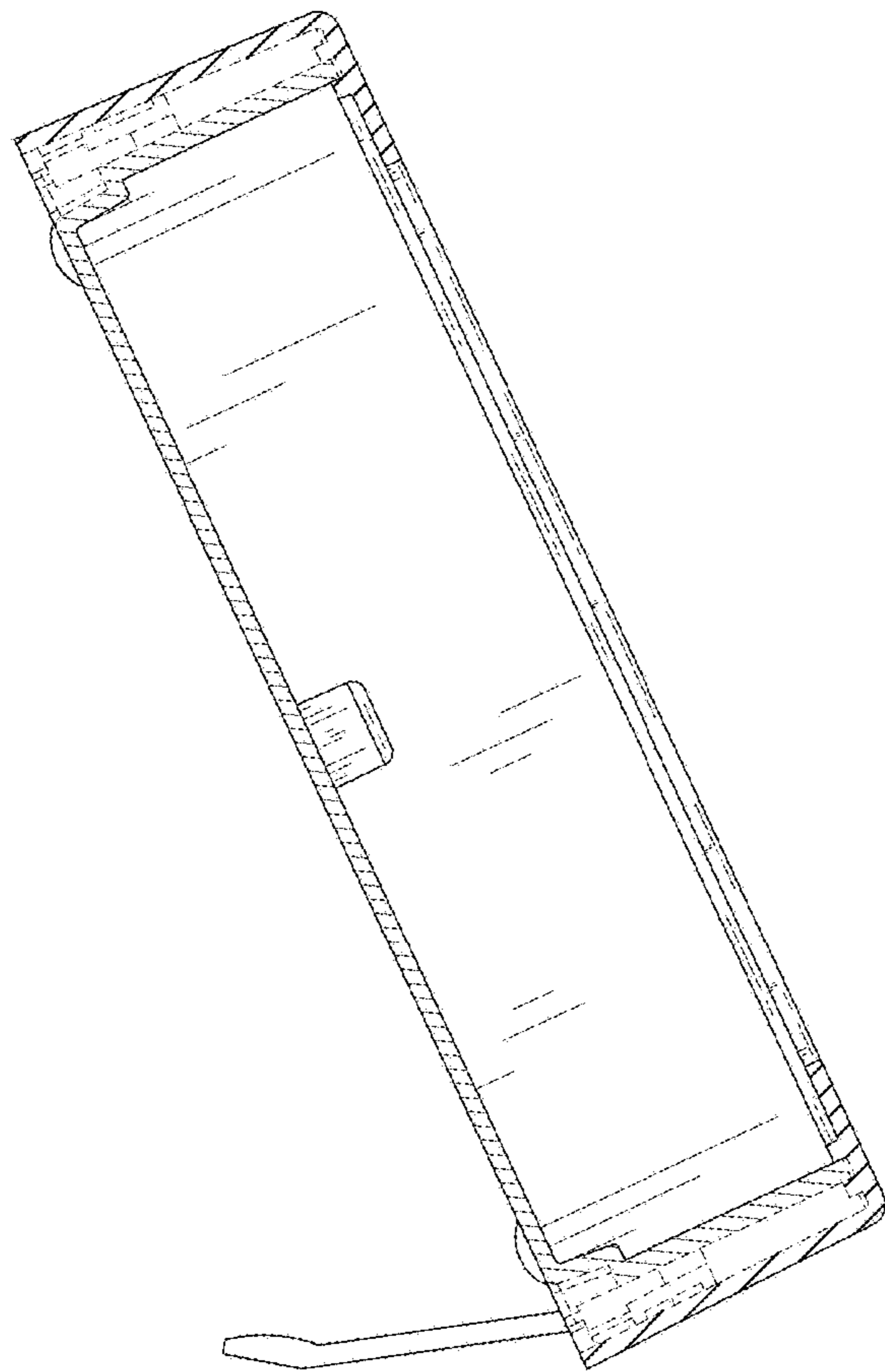


FIG. 5