



US00D855492S

(12) **United States Design Patent**
Jones

(10) **Patent No.:** **US D855,492 S**
(45) **Date of Patent:** **** Aug. 6, 2019**

- (54) **SOLAR-POWERED ROTATING ORNAMENTAL DEVICE**
- (71) Applicant: **Timothy Ray Jones**, Jackson, MI (US)
- (72) Inventor: **Timothy Ray Jones**, Jackson, MI (US)
- (**) Term: **15 Years**
- (21) Appl. No.: **29/562,006**
- (22) Filed: **Apr. 21, 2016**

Related U.S. Application Data

- (63) Continuation-in-part of application No. 14/176,614, filed on Feb. 10, 2014, now abandoned.
- (60) Provisional application No. 61/850,160, filed on Feb. 11, 2013.
- (51) **LOC (12) Cl.** **11-02**
- (52) **U.S. Cl.**
USPC **D11/131**; D11/157; D13/102
- (58) **Field of Classification Search**
USPC D11/157, 139; D8/1; D13/102, 101, D13/199; D26/67, 68; 446/236; 136/206, 243-246, 251; 320/101; 126/569, 608, 707; 362/183, 266
CPC F21V 21/0824; F21V 15/013; F21V 23/0442; F21V 17/164; F21V 21/116; F21V 23/0464; F21Y 2111/00; F21L 4/08; A63H 33/22; F21S 9/035; F21S 9/037; F21S 9/032; F21W 2131/10; F21W 2131/109; F24S 25/10; F24S 2025/6003; F24S 25/617; H02S 20/00; H02S 20/10; A41G 1/002
See application file for complete search history.

(56) **References Cited**

U.S. PATENT DOCUMENTS

- D277,511 S * 2/1985 Patel D26/63
- D309,786 S * 8/1990 Chien D26/67

- 4,970,810 A * 11/1990 Liou G09F 19/08 40/411
- 4,999,060 A * 3/1991 Szekely F21S 8/081 136/251
- 5,367,442 A * 11/1994 Frost F21S 8/081 136/291
- D378,435 S * 3/1997 Trombley D26/110
- D517,981 S * 3/2006 Daly D13/102
- D552,285 S * 10/2007 Richmond D26/68
- D556,933 S * 12/2007 Sanoner D26/68
- D570,769 S * 6/2008 Holin D13/102
- D618,166 S * 6/2010 Sanoner D13/102
- 7,861,445 B2 * 1/2011 Sui A41G 1/002 40/411
- D638,571 S * 5/2011 Chilton D26/93
- D639,988 S * 6/2011 Chen D26/67
- D641,655 S * 7/2011 Hawkinson D11/144
- D642,722 S * 8/2011 Oberpriller D26/67
- D652,787 S * 1/2012 Yang D13/102

(Continued)

FOREIGN PATENT DOCUMENTS

- CN 302571137 * 9/2013
- CN 302571139 * 9/2013

Primary Examiner — Cathron C Brooks

Assistant Examiner — W. A. Teddy Falloway

(74) *Attorney, Agent, or Firm* — Vincent Re PLLC

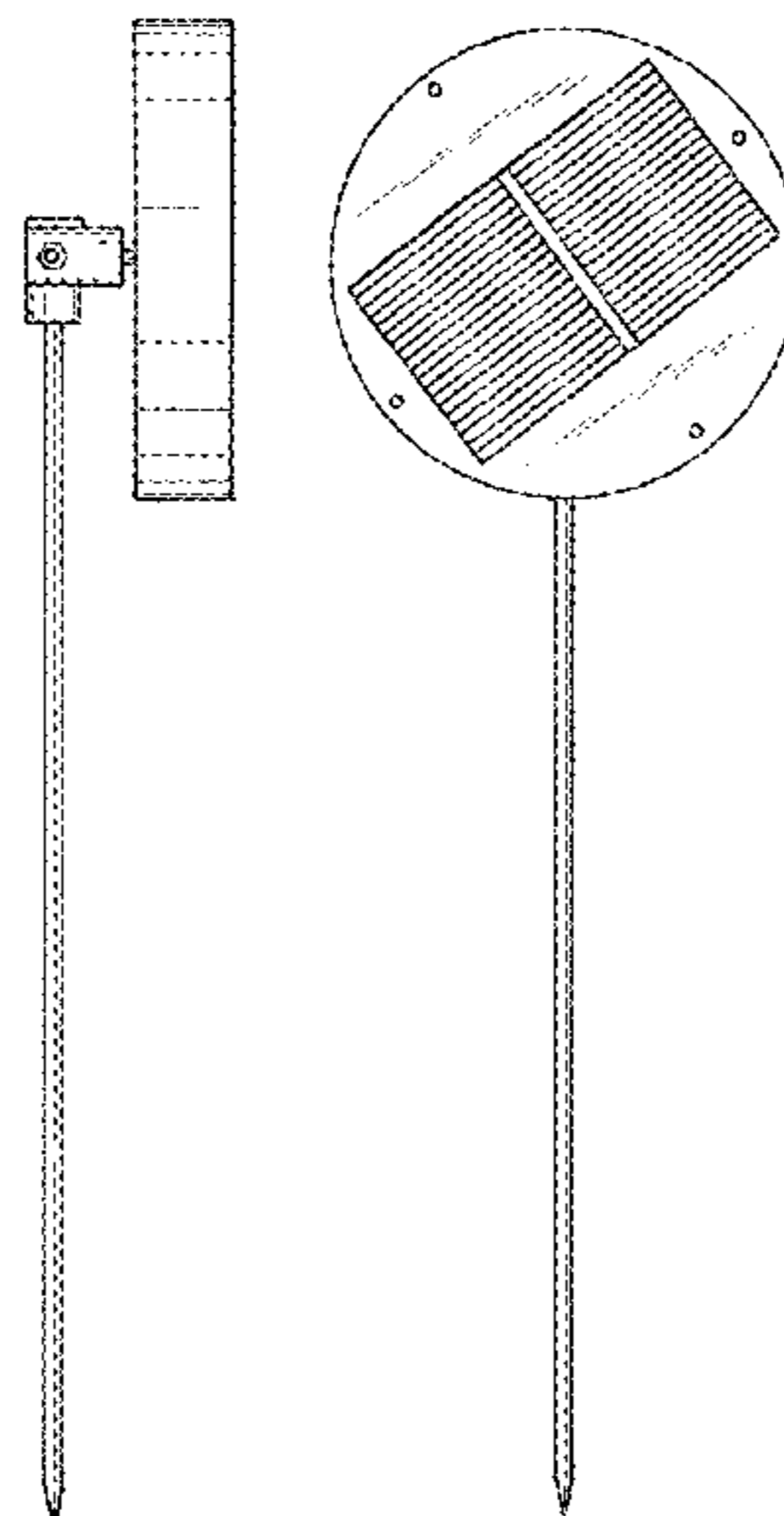
(57) **CLAIM**

The ornamental design for a solar-powered rotating ornamental device, as shown and described.

DESCRIPTION

- FIG. 1 is a side view of a solar-powered rotating ornamental device;
- FIG. 2 is a front view thereof;
- FIG. 3 is a partial side view thereof, shown in an alternative configuration;
- FIG. 4 is another partial side view thereof, shown in an alternate configuration; and,
- FIG. 5 is a partial perspective view thereof, shown in an alternate configuration.

1 Claim, 4 Drawing Sheets



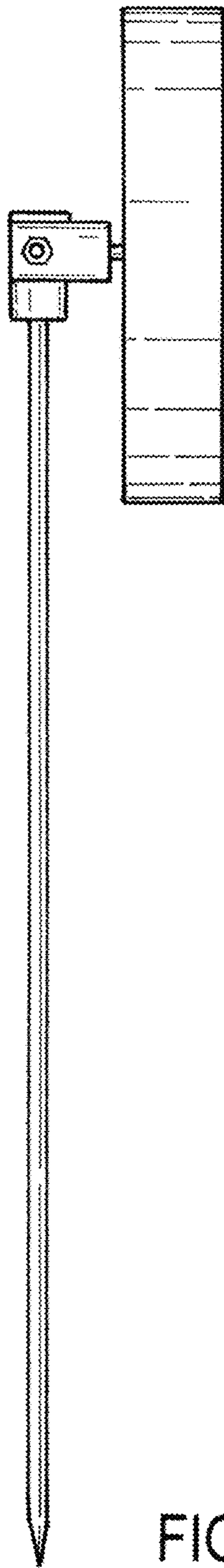


FIG.1

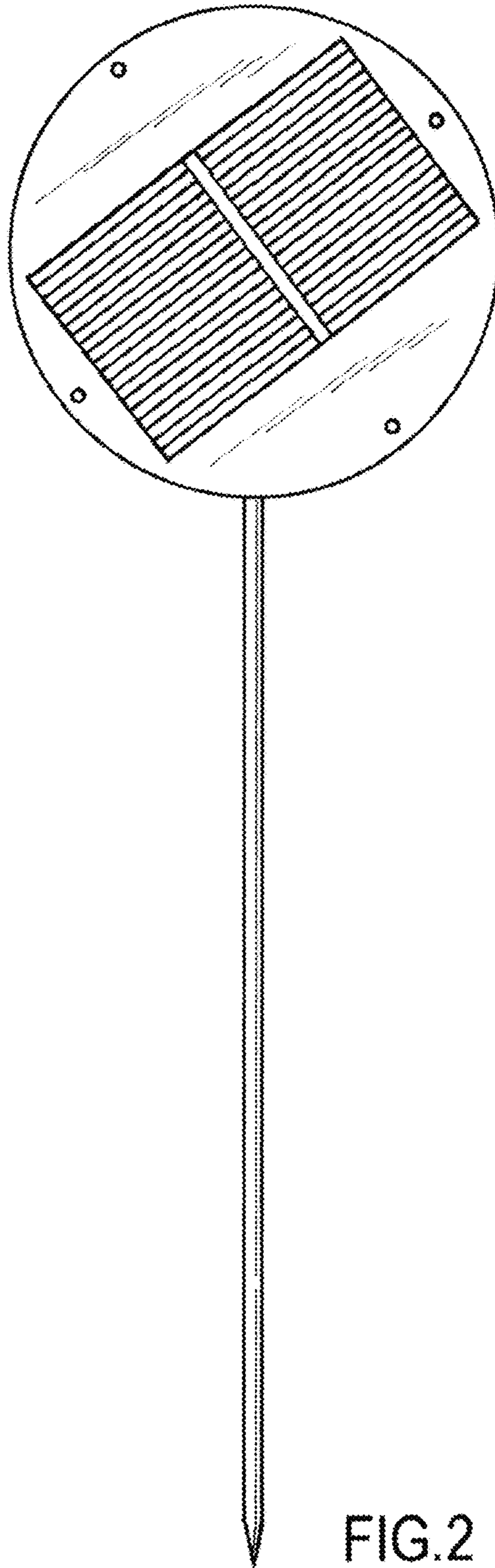


FIG.2

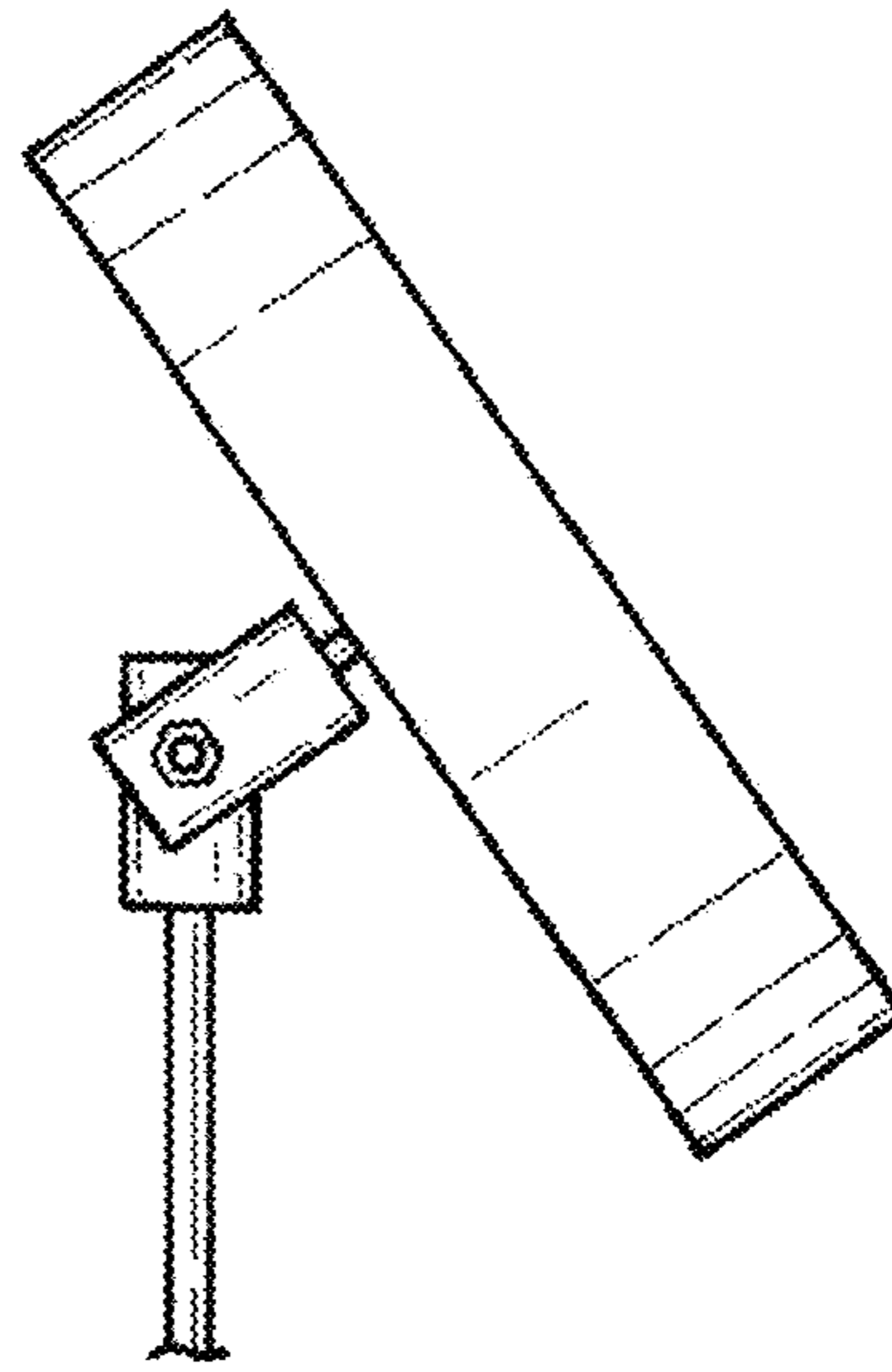


FIG.3

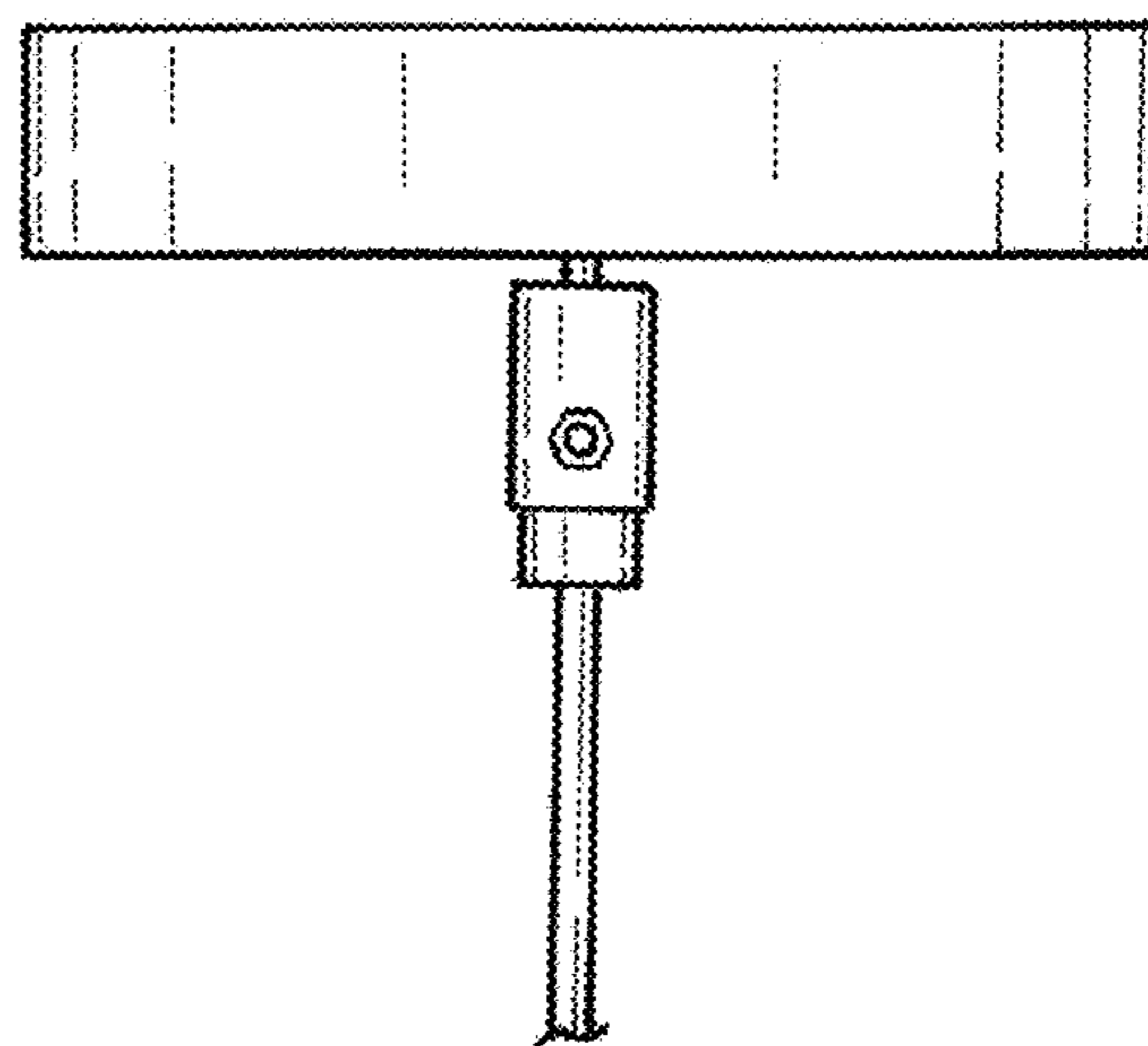


FIG.4

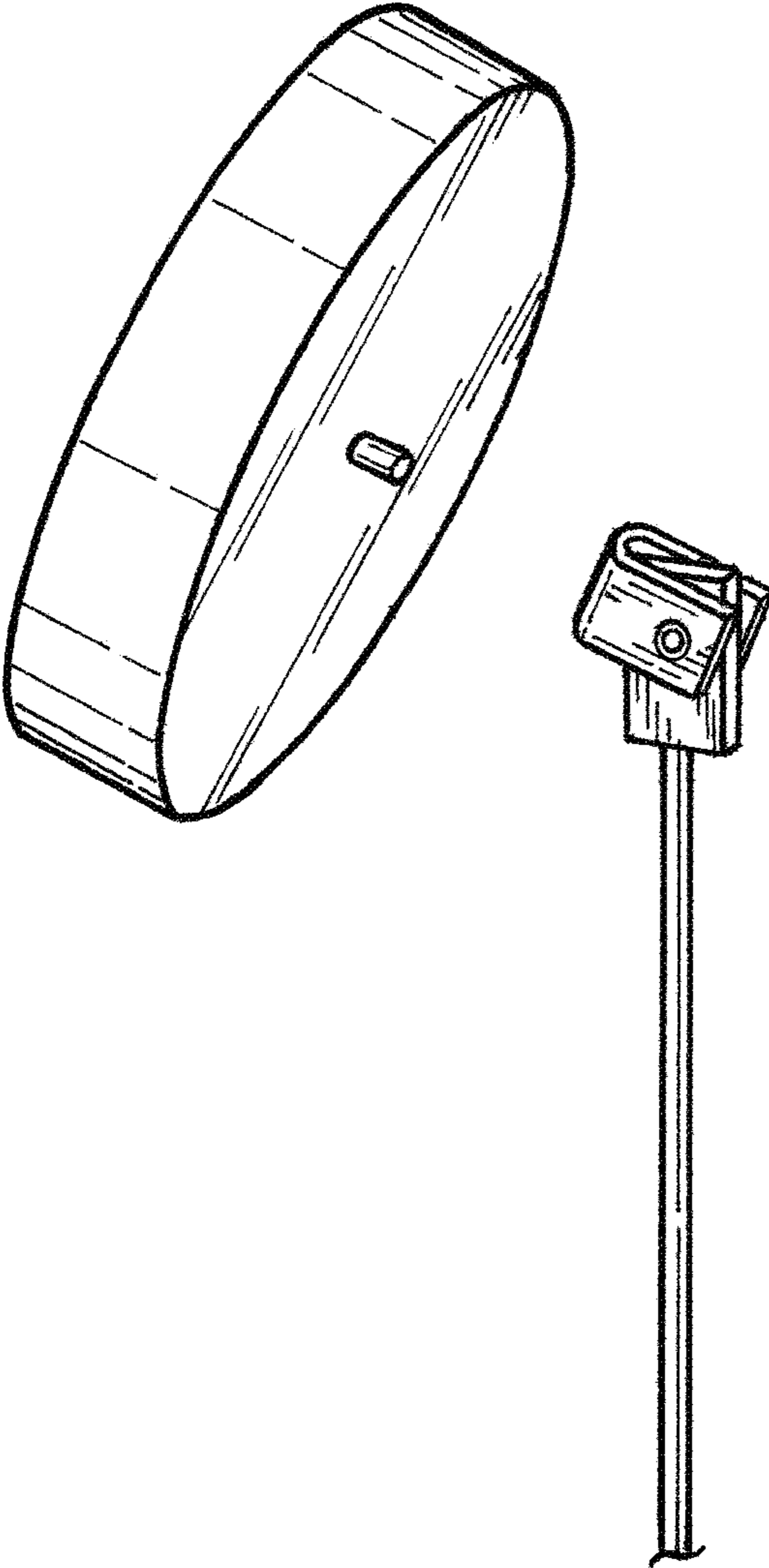


FIG.5