



US00D855488S

(12) **United States Design Patent** (10) **Patent No.:** **US D855,488 S**  
**Jablonski et al.** (45) **Date of Patent:** **\*\* Aug. 6, 2019**

- (54) **BRACELET**
- (71) Applicants: **Rafal Jablonski**, Warsaw (PL);  
**Slawomir Lapinski**, Elmhurst, IL (US)
- (72) Inventors: **Rafal Jablonski**, Warsaw (PL);  
**Slawomir Lapinski**, Elmhurst, IL (US)
- (73) Assignee: **Rafal Jablonski**, Warsaw (PL)
- (\*\*) Term: **15 Years**
- (21) Appl. No.: **29/632,179**
- (22) Filed: **Jan. 5, 2018**
- (51) **LOC (12) Cl.** ..... **11-01**
- (52) **U.S. Cl.**  
USPC ..... **D11/3**
- (58) **Field of Classification Search**  
USPC ..... D11/1-29, 34, 36-43, 76-79, 86;  
D14/344; D26/39; D28/41  
CPC ..... A44C 5/00; A44C 5/0007; A44C 5/0023;  
A44C 5/003; A44C 5/0038; A44C  
5/0046; A44C 5/0053; A44C 5/0061;  
A44C 5/0069; A44C 5/0076; A44C  
5/0084; A44C 5/0092; A44C 5/02; A44C  
5/022; A44C 5/025; A44C 5/027; A44C  
5/04; A44C 5/08; A44C 5/12; A44C 1/00;  
A44C 15/001; A44C 15/003; A44C  
15/0035; A44C 15/0045; A44C 15/005;  
A44C 15/0055; A44C 15/006; A44C  
9/00; A44C 9/0038; A44C 9/0046; A44C  
9/0053; A44C 9/0061; A44C 9/0069;  
A44C 9/02  
See application file for complete search history.

(56) **References Cited**

**U.S. PATENT DOCUMENTS**

- D87,206 S \* 6/1932 Demay ..... D11/25
- D164,343 S \* 8/1951 Wishengrad ..... D11/12

- D254,198 S \* 2/1980 Hardy ..... D11/20
- 5,097,680 A \* 3/1992 Lin ..... A44C 5/00  
63/15.7
- D331,724 S \* 12/1992 Klein ..... D11/26
- 5,251,189 A \* 10/1993 Thorp ..... A44C 5/0007  
224/164
- D392,585 S \* 3/1998 Kohl ..... D11/26
- 6,032,485 A \* 3/2000 Steinberg ..... A44C 9/00  
63/15
- D435,475 S \* 12/2000 Canty ..... D11/26
- 6,615,491 B1 \* 9/2003 Kaizuka ..... A44C 5/0023  
29/896.4
- 6,779,331 B1 \* 8/2004 Weinberg ..... A44C 11/00  
D11/13
- D524,185 S \* 7/2006 Arlanda ..... D11/38
- D533,802 S \* 12/2006 Thompson ..... D11/27
- D645,775 S \* 9/2011 Adkins ..... D11/3
- D661,613 S \* 6/2012 Demeglio ..... D11/3
- D672,678 S \* 12/2012 Nadeau ..... D11/11
- D688,583 S \* 8/2013 Bhang ..... D11/3

(Continued)

*Primary Examiner* — Cynthia Ramirez

*Assistant Examiner* — L. Martinez

(74) *Attorney, Agent, or Firm* — Ralph E. Jocke; Walker & Jocke

(57) **CLAIM**

The ornamental design for a bracelet, as shown and described.

**DESCRIPTION**

FIG. 1 is a front, top and right perspective view of a bracelet, showing our new design.

FIG. 2 is a front view thereof.

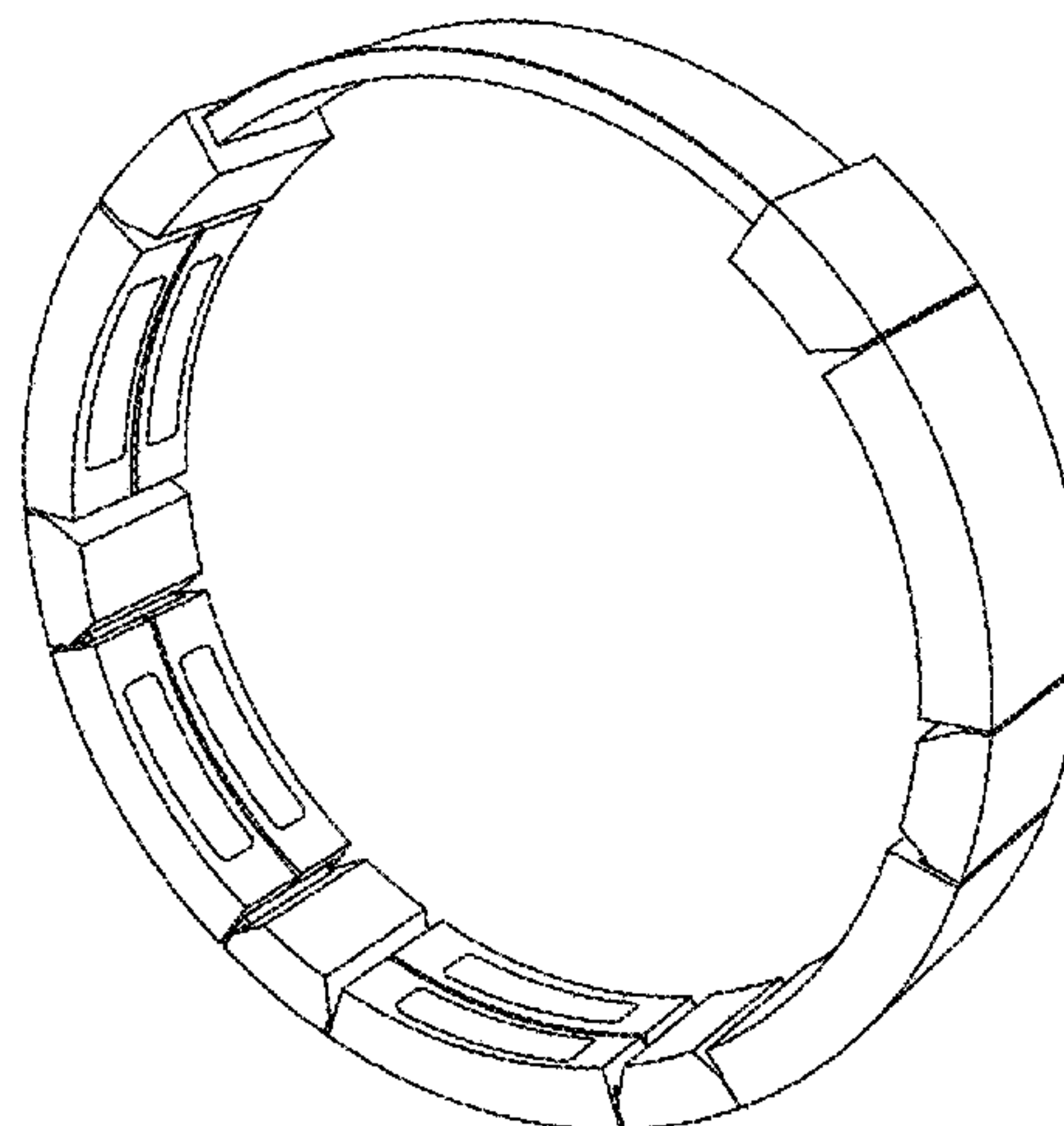
FIG. 3 is a side view thereof.

FIG. 4 is a front top right exploded perspective view thereof.

FIG. 5 is an enlarged top plan view of an attachment piece of the bracelet in FIG. 1, shown alone for convenience of illustration; and,

FIG. 6 is an enlarged view of a portion of the bracelet, taken from the marked area in FIG. 4.

**1 Claim, 6 Drawing Sheets**



(56)

**References Cited**

## U.S. PATENT DOCUMENTS

D756,359 S \* 5/2016 Bailey ..... D11/19  
D779,997 S \* 2/2017 King ..... D11/4  
D787,511 S \* 5/2017 Lee ..... D14/344  
D788,626 S \* 6/2017 Song ..... D11/4  
D791,765 S \* 7/2017 von Badinski ..... D14/344  
D794,492 S \* 8/2017 Arrow ..... D11/3  
D803,086 S \* 11/2017 Gahunia ..... D11/3  
D820,140 S \* 6/2018 Register ..... D11/3  
2003/0159463 A1 \* 8/2003 Rosenberg ..... A44C 5/105  
63/15.7  
2004/0103688 A1 \* 6/2004 Flaviano ..... A44C 9/02  
63/15.65  
2006/0075781 A1 \* 4/2006 Kretchmer ..... A44C 5/0092  
63/5.1  
2009/0168612 A1 \* 7/2009 Robin ..... A44C 5/0053  
368/282  
2015/0052943 A1 \* 2/2015 Inglis ..... A44C 17/0208  
63/5.1  
2015/0124567 A1 \* 5/2015 Liao ..... A44C 5/0015  
368/10  
2016/0345690 A1 \* 12/2016 Scandolaro ..... A44C 5/0069  
2017/0303646 A1 \* 10/2017 Bricken ..... A44C 5/0015  
2018/0000205 A1 \* 1/2018 Chinowsky ..... A44C 5/0015

\* cited by examiner

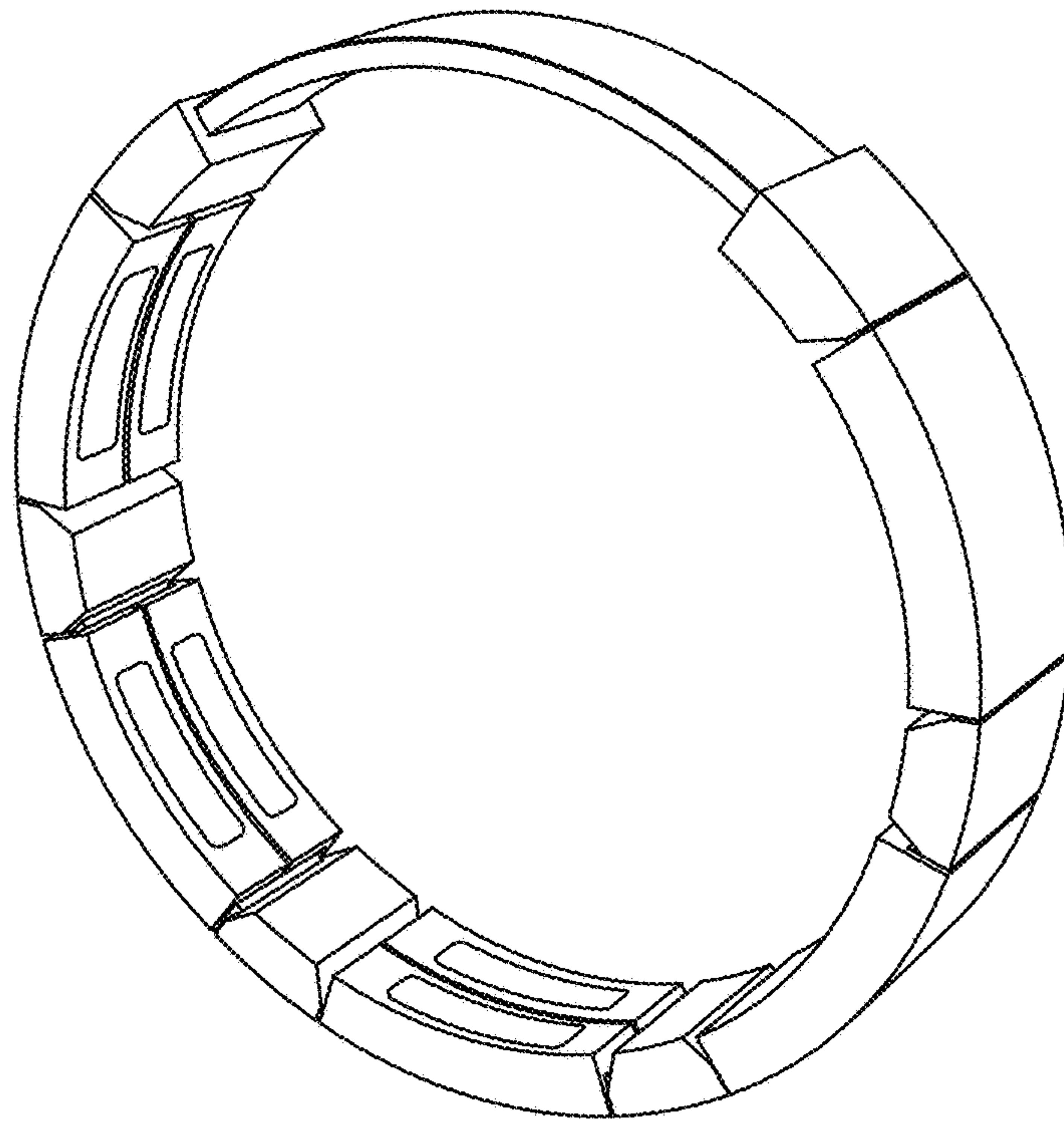


FIG. 1

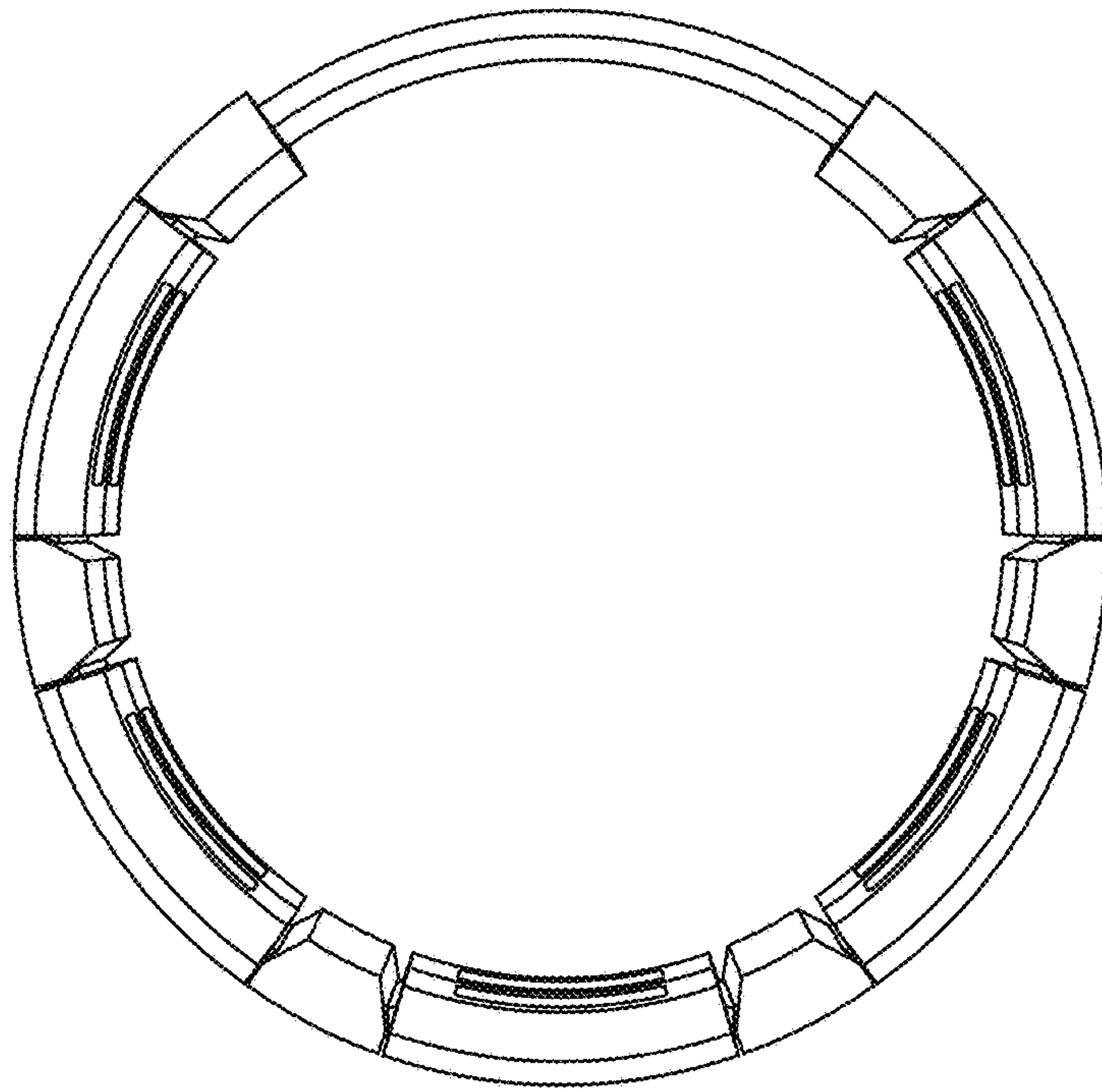


FIG. 2

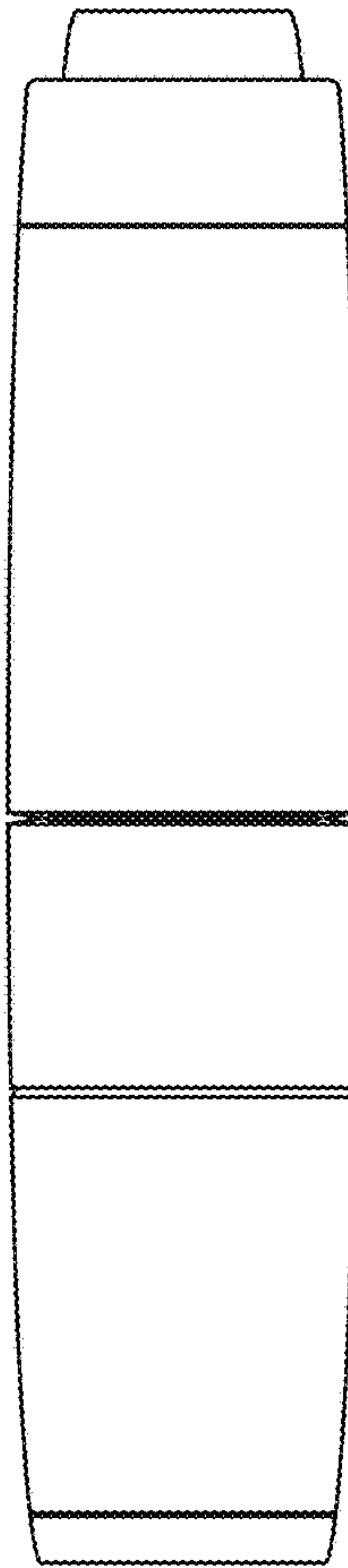


FIG. 3



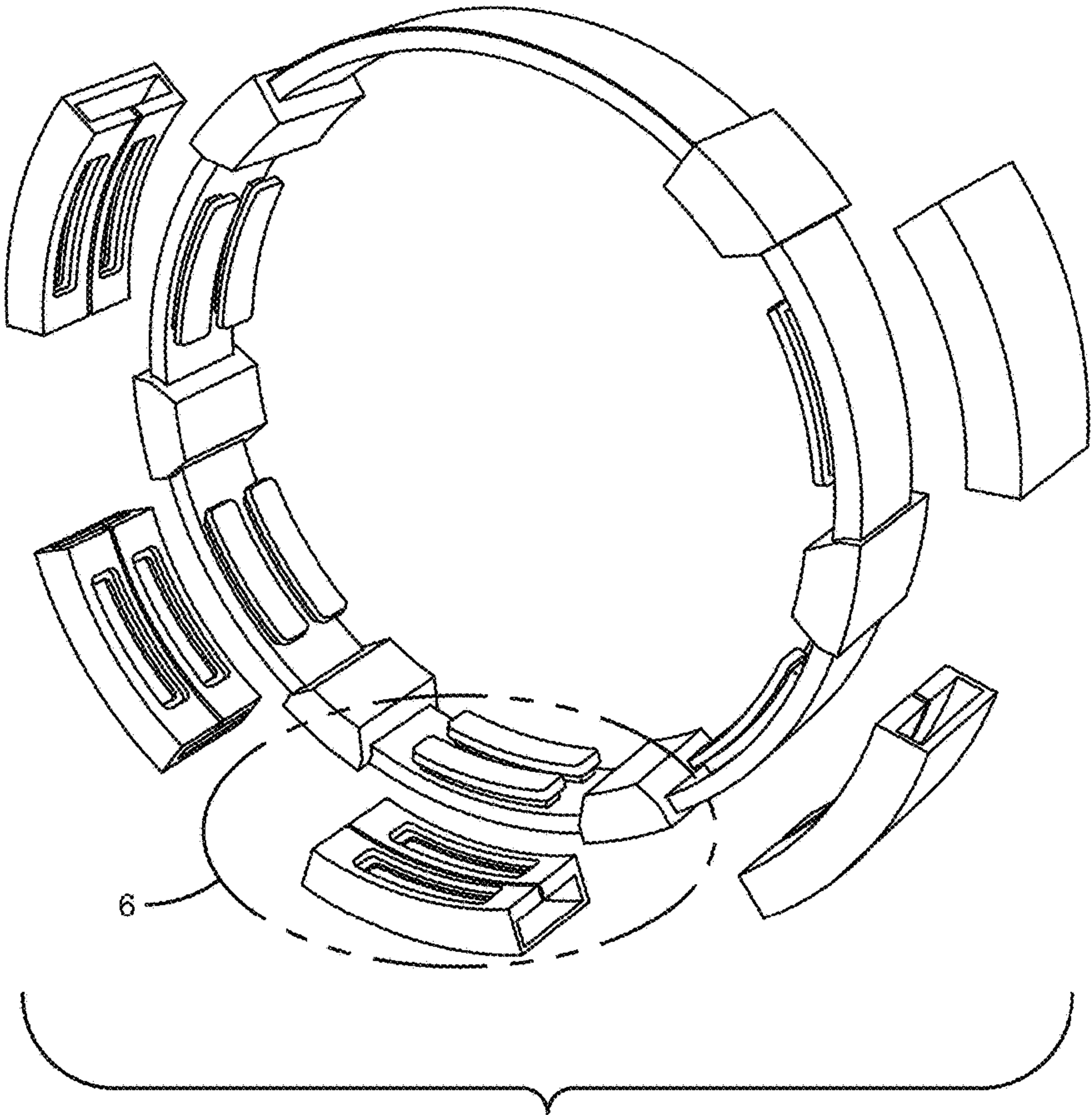


FIG. 4

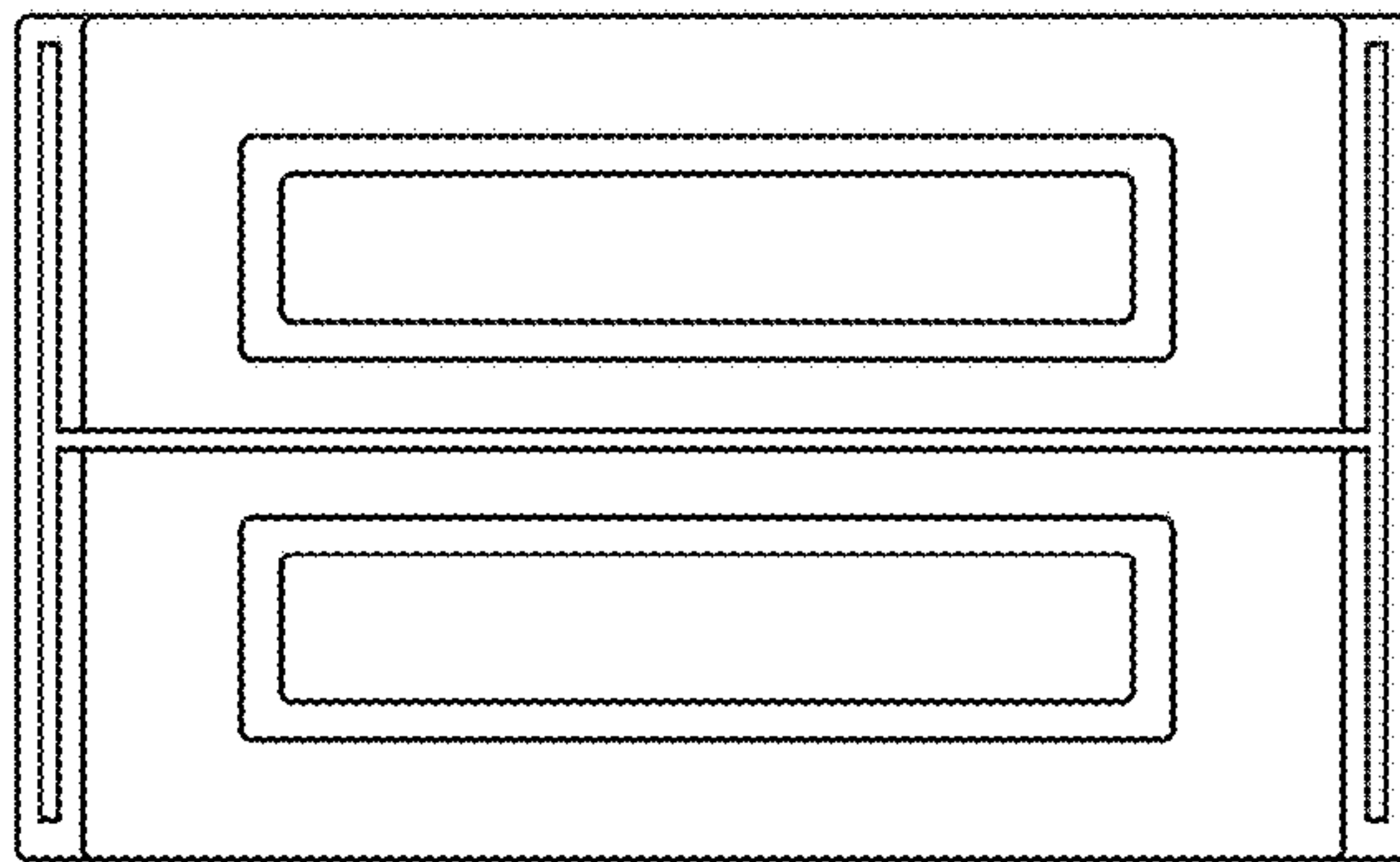


FIG. 5

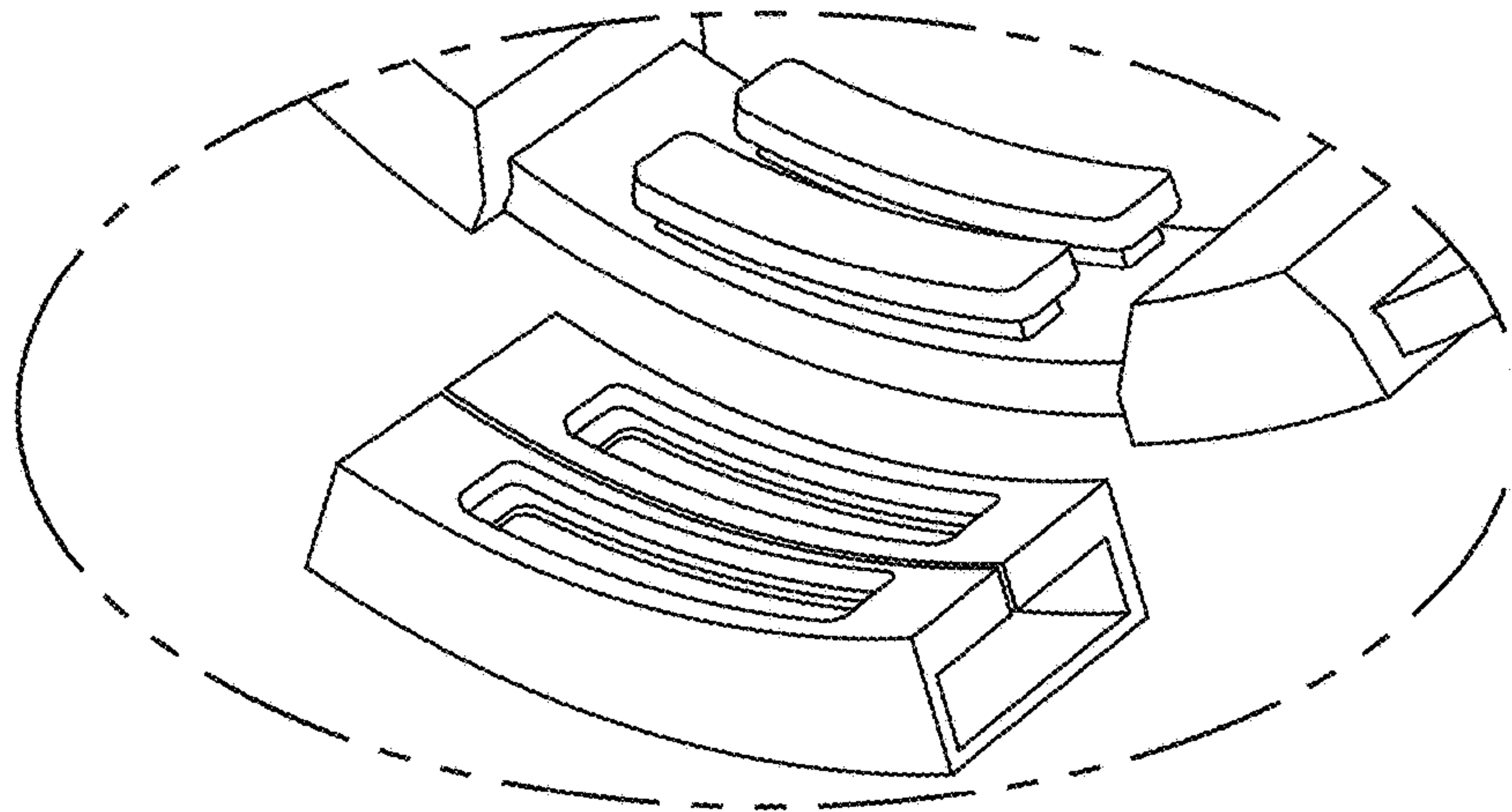


FIG. 6