



US00D855487S

(12) **United States Design Patent** (10) **Patent No.:** **US D855,487 S**
Schaad (45) **Date of Patent:** **** Aug. 6, 2019**

(54) **WATCHCASE HOLDER**

(71) Applicant: **SWATCH LTD**, Biel/Bienne (CH)

(72) Inventor: **Thomas Schaad**, Stockholm (SE)

(73) Assignee: **Swatch Ltd**, Biel/Bienne (CH)

(**) Term: **15 Years**

(21) Appl. No.: **29/605,753**

(22) Filed: **May 30, 2017**

Related U.S. Application Data

(62) Division of application No. 29/560,152, filed on Apr. 4, 2016, now Pat. No. Des. 792,244.

Foreign Application Priority Data

Oct. 2, 2015 (WO) DM/088 036

(51) **LOC (12) Cl.** **10-07**

(52) **U.S. Cl.**
USPC **D10/128**

(58) **Field of Classification Search**

USPC D10/122, 30, 38, 126, 125, 32, 31, 123, D10/128, 129, 132; D14/440, 250, 217, D14/447, 344, 439, 432, 300, 138 R; D11/86, 87, 1-25, 184, 93, 94, 32
CPC A44C 5/00; A44C 5/0084; A44C 5/102; A44C 5/105; A44C 5/107; A44C 5/185; A44C 5/209; A44C 5/2057; A44C 5/2066; A44C 5/2047; A44C 5/12; A44C 5/14; G04B 3/08; G04B 37/04

See application file for complete search history.

(56) **References Cited**

U.S. PATENT DOCUMENTS

402,032 A * 4/1889 Pickert G04B 17/222 368/171
4,742,503 A * 5/1988 Braun G04B 37/1486 368/282
5,392,261 A * 2/1995 Hsu G04B 37/1413 368/281
D650,301 S * 12/2011 Greubel D10/128
D717,683 S * 11/2014 Grinberg D10/132
D718,167 S * 11/2014 Yliluoma D10/128

OTHER PUBLICATIONS

Nivrel, Functionality of the Nivrel 5 minute Repeater, posted Nov. 30, 2012, [online], [visited Feb. 21, 2019]. Internet, <URL: https://www.nivrel.com/en/news-blog/news/2012/functionality-of-the-nivrel-5-minute-repeater.html> (Year: 2012).*

(Continued)

Primary Examiner — Sheryl Lane

Assistant Examiner — Samantha N Wood

(74) *Attorney, Agent, or Firm* — Abelman, Frayne & Schwab

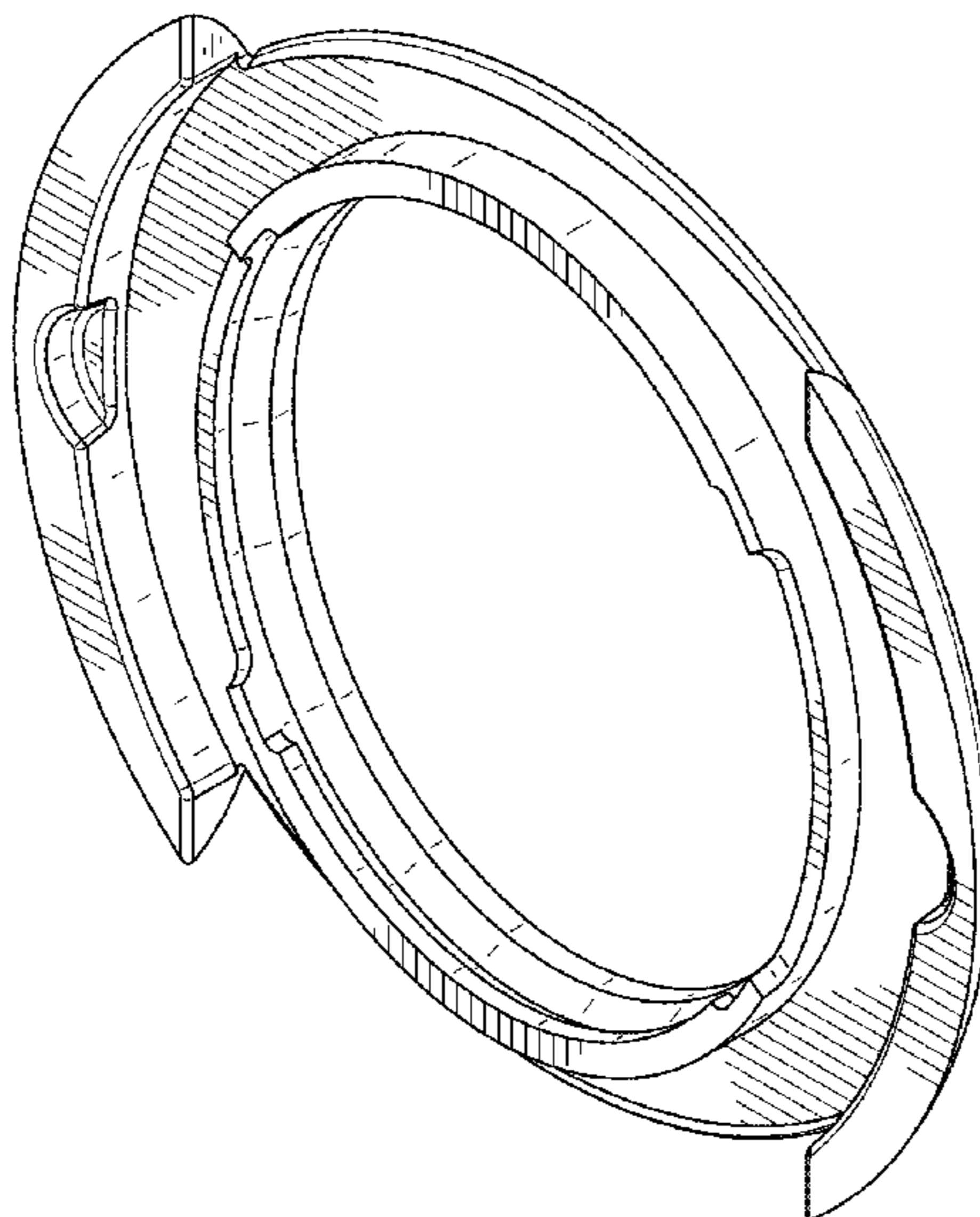
(57) **CLAIM**

The ornamental design for a watchcase holder, as shown.

DESCRIPTION

FIG. 1 is a front right perspective view of a watchcase holder showing my new design;
FIG. 2 is a rear left perspective view thereof;
FIG. 3 is a front view thereof;
FIG. 4 is a rear view thereof;
FIG. 5 is a left side view thereof;
FIG. 6 is a right side view thereof;
FIG. 7 is a top view thereof; and,
FIG. 8 is a bottom view thereof.

1 Claim, 6 Drawing Sheets



(56)

References Cited

OTHER PUBLICATIONS

Rapper, Swatch SISTEM51, posted Oct. 6, 2014, [online], [visited Feb. 21, 2019]. Internet, <URL: <https://www.rappler.com/brandrap/stories/71221-swatch-sistem51-party-function>> (Year: 2014).*

Watchalyzer, Swatch Sign in the Sky SVGK403 Watch, posted Oct. 19, 2011, [online], [visited Feb. 21, 2019]. Internet, <URL: <http://www.watchalyzer.com/swatch-watches/irony/swatch-sign-sky-svgk403-watch/>> (Year: 2011).*

* cited by examiner

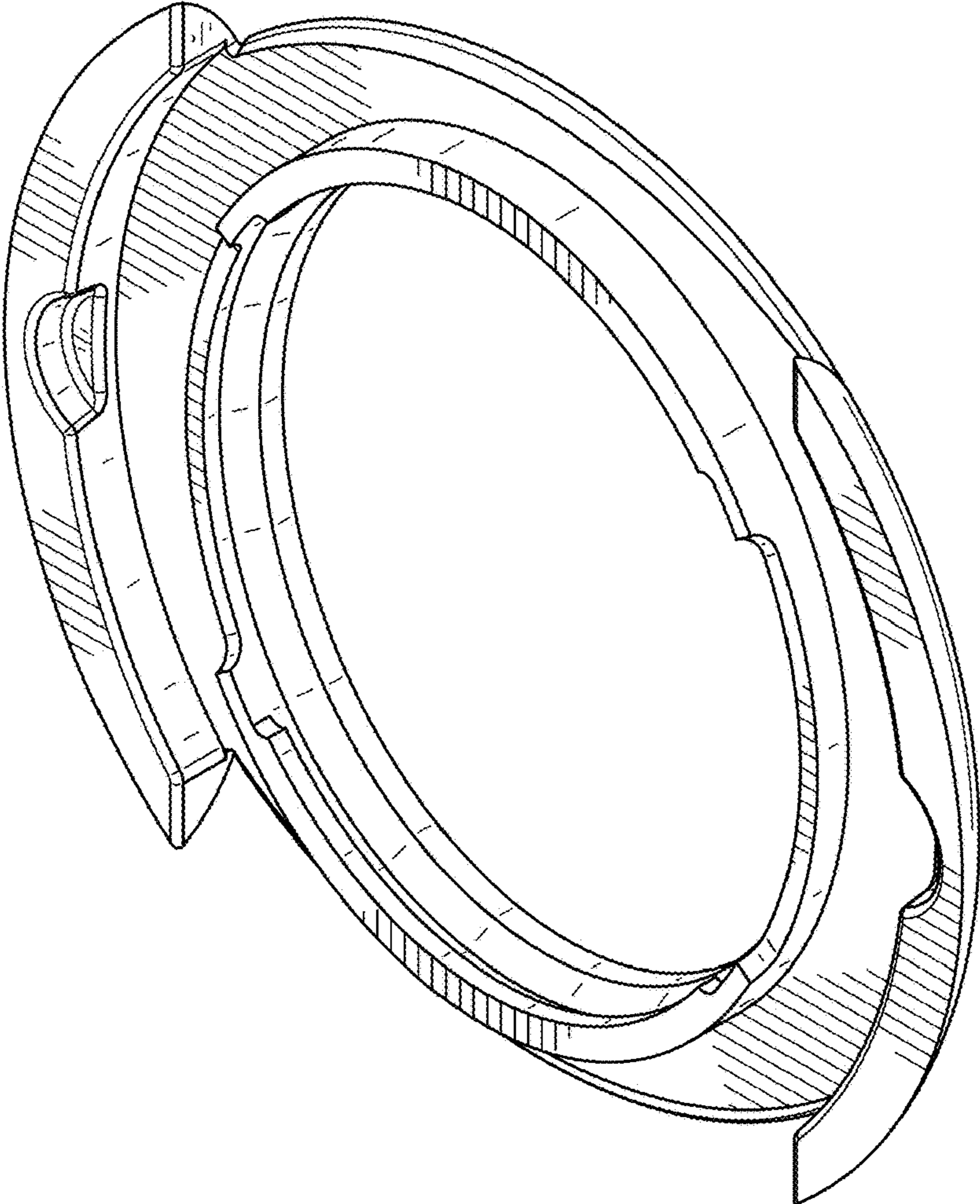


FIG. 1

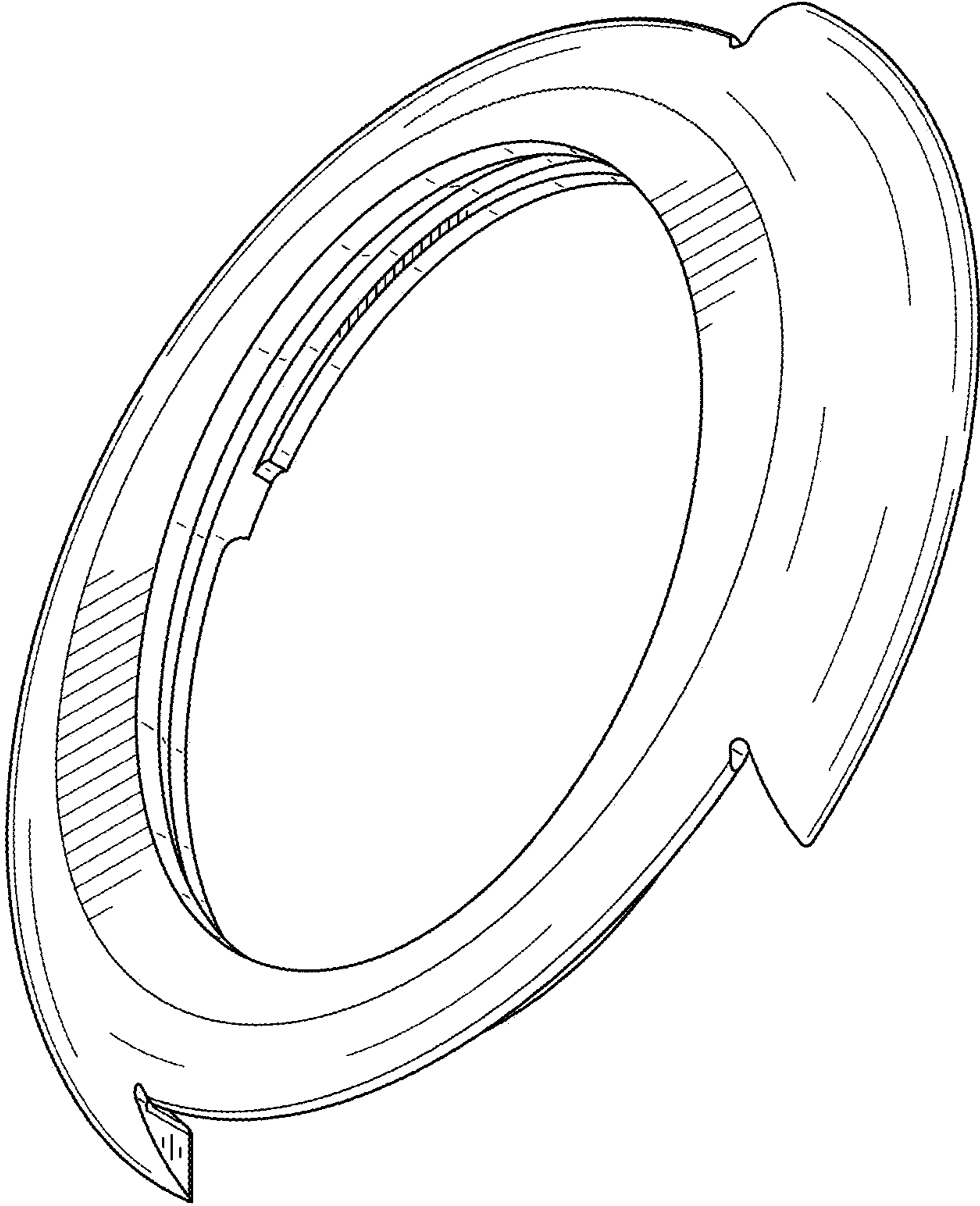


FIG. 2

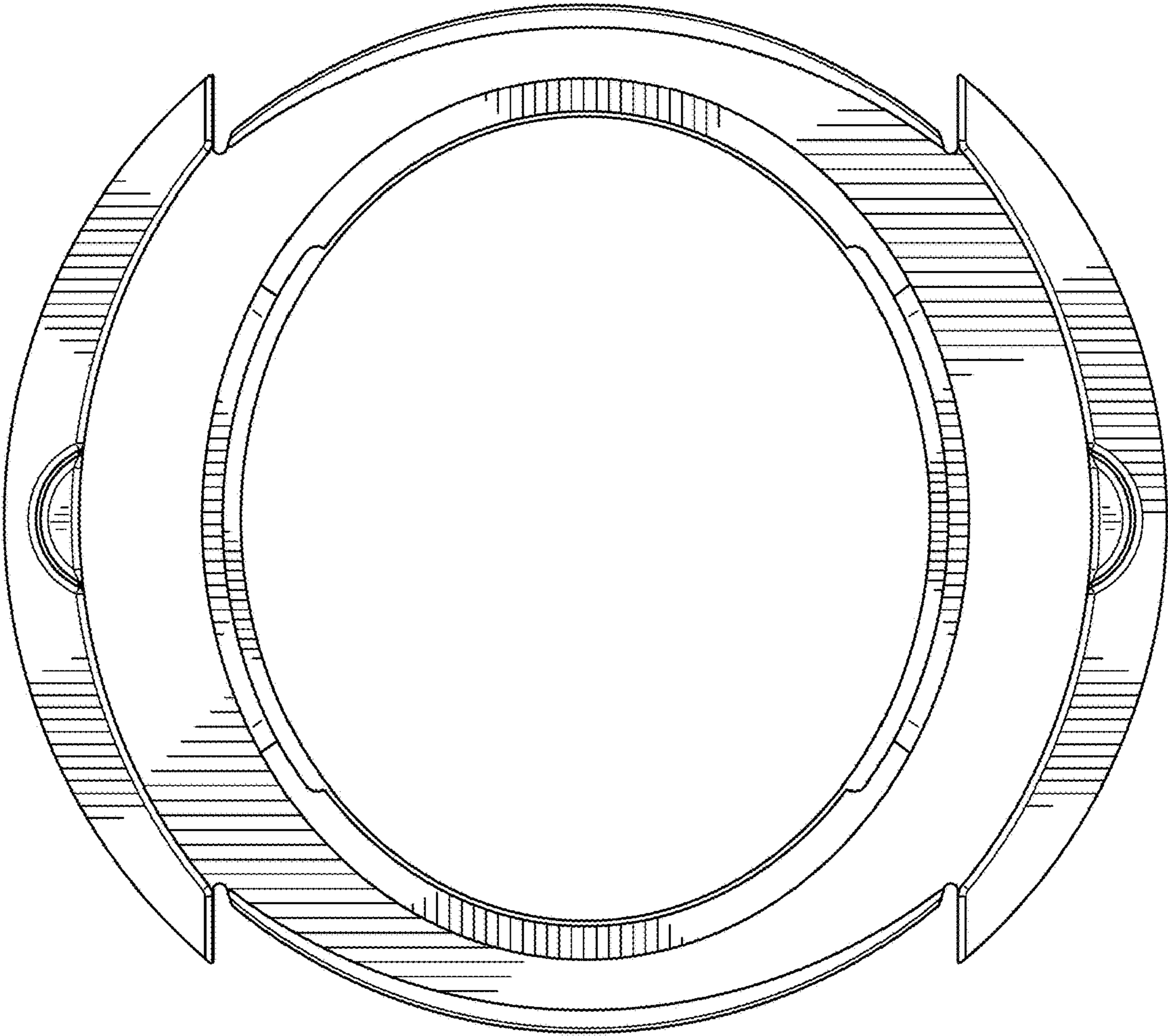


FIG. 3

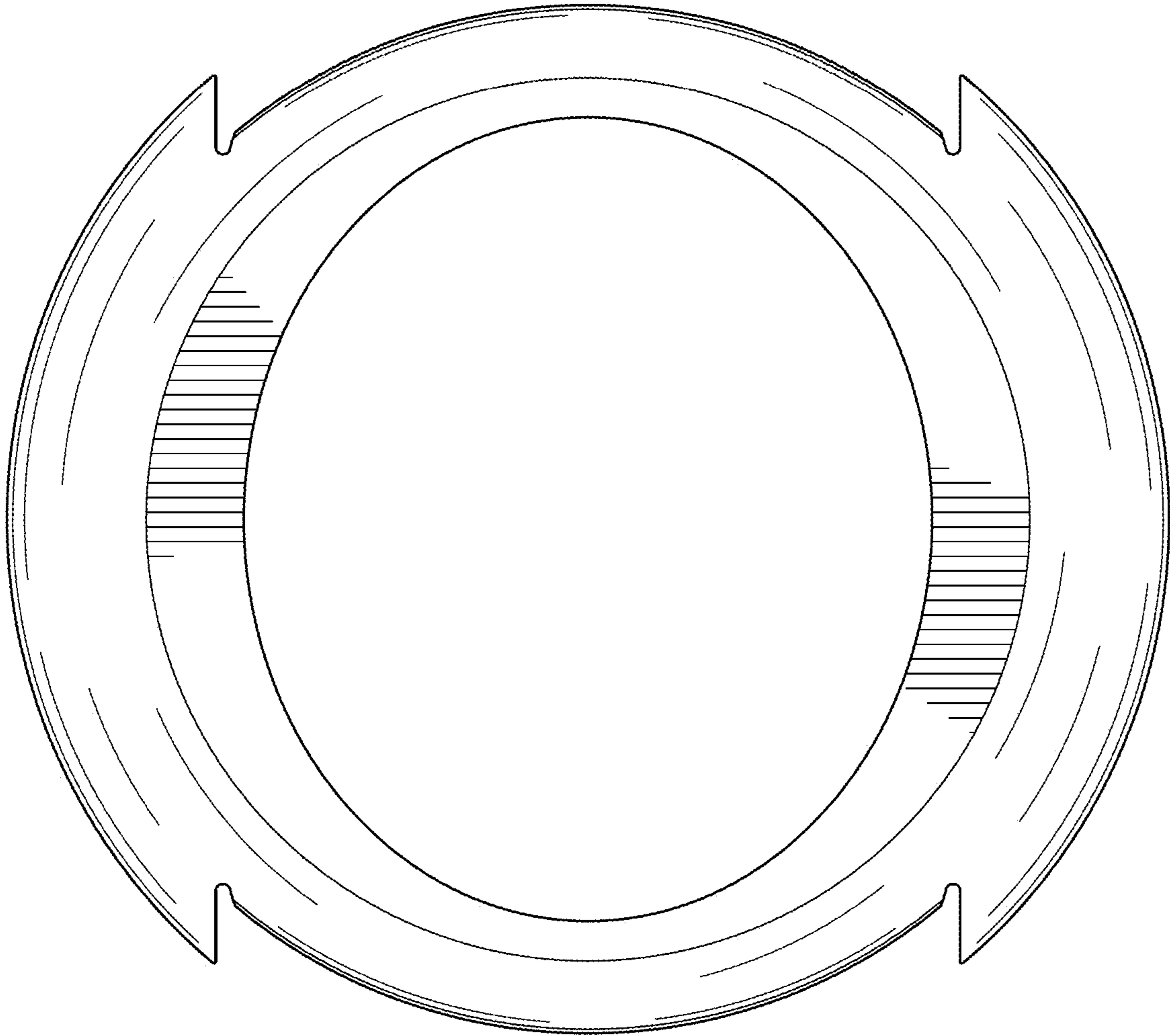


FIG. 4

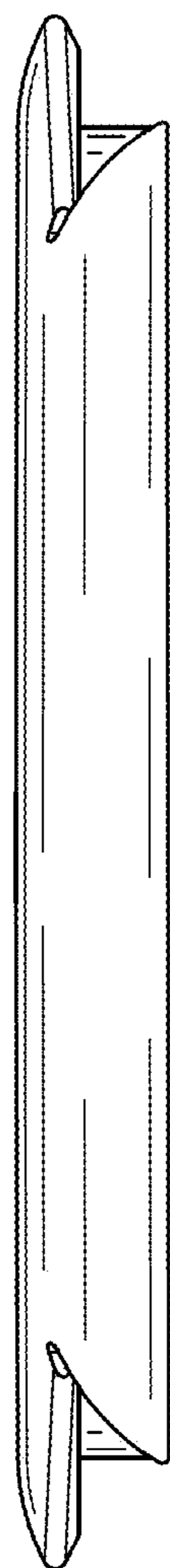


FIG. 5

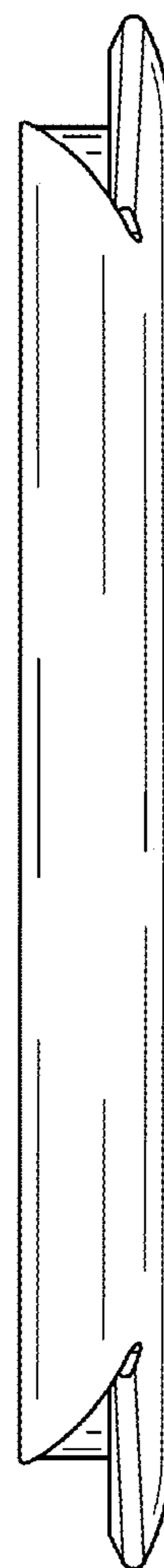


FIG. 6

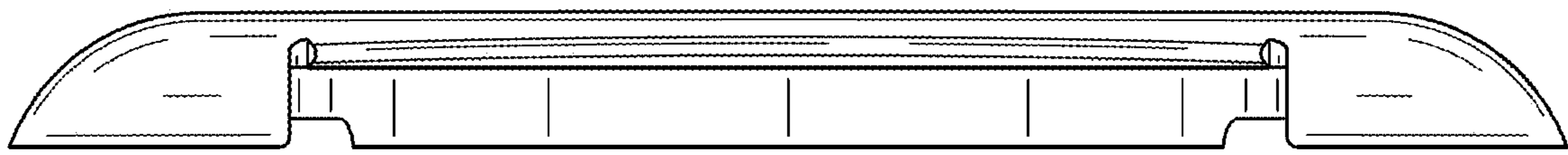


FIG. 7

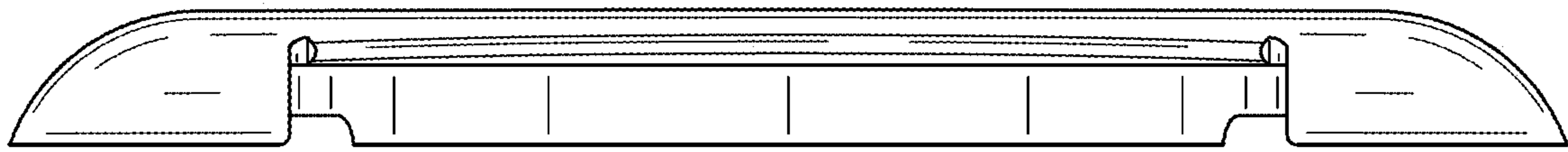


FIG. 8