



US00D855484S

(12) **United States Design Patent**  
**Plested et al.**

(10) **Patent No.:** **US D855,484 S**

(45) **Date of Patent:** **\*\* Aug. 6, 2019**

(54) **SENSOR**

(71) Applicant: **Centrica Connected Home Limited,**  
Windsor (GB)

(72) Inventors: **Matthew Plested,** Surrey (GB); **Philip Shade,** Surrey (GB); **Tom Guy,** Windsor (GB); **Jessica Kyte,** Windsor (GB); **Elvin Nagamootoo,** Windsor (GB); **Chris Beanland,** Windsor (GB); **Andreu Tobella,** Windsor (GB); **Prajay Parmar,** Surrey (GB)

(73) Assignee: **Centrica Connected Home Limited,**  
Windsor (GB)

(\*\*) Term: **15 Years**

(21) Appl. No.: **29/596,608**

(22) Filed: **Mar. 9, 2017**

(30) **Foreign Application Priority Data**

Sep. 9, 2016 (EM) ..... 003373315

(51) **LOC (12) Cl.** ..... **10-05**

(52) **U.S. Cl.**  
USPC ..... **D10/104.1**

(58) **Field of Classification Search**  
USPC ..... D10/46, 47, 49, 50, 57, 61, 70, 71,  
D10/82-87, 90, 97, 100-102, 104.1,  
D10/106.2, 106.6, 106.8, 106.9, 106.95,  
D10/116.1, 118.2, 121, 122, 125, 126;  
D16/237-239, 248; D21/398, 405;  
D24/107, 232; D99/99

See application file for complete search history.

(56) **References Cited**

**U.S. PATENT DOCUMENTS**

D417,165 S \* 11/1999 Takeda ..... D10/106.6  
D496,653 S \* 9/2004 Townsend ..... D14/240

D575,647 S \* 8/2008 Lobermeier ..... D10/102  
D584,974 S \* 1/2009 Fukuda ..... D10/70  
D604,723 S \* 11/2009 Bodley ..... D14/225  
D630,113 S \* 1/2011 Orr ..... D10/81  
D667,382 S \* 9/2012 Cosentino ..... D13/168  
D669,589 S \* 10/2012 Delaey ..... D24/169  
D705,751 S \* 5/2014 Wenger ..... D14/206  
D707,144 S \* 6/2014 Jacobs ..... D10/106.6  
D708,971 S \* 7/2014 Jacobs ..... D10/106.6

(Continued)

*Primary Examiner* — Garth Rademaker

*Assistant Examiner* — Fritzgerald L Butac

(74) *Attorney, Agent, or Firm* — Brinks Gilson & Lione;  
John C. Freeman

(57) **CLAIM**

The ornamental design for a sensor, as shown and described.

**DESCRIPTION**

FIG. 1 is a perspective view of a first embodiment of a sensor showing the new design.

FIG. 2 is a front view of the sensor of FIG. 1;

FIG. 3 is a rear view of the sensor of FIG. 1;

FIG. 4 is first side view of the sensor of FIG. 1;

FIG. 5 is a second side view of the sensor of FIG. 1;

FIG. 6 is a top view of the sensor of FIG. 1;

FIG. 7 is a bottom view of the sensor of FIG. 1;

FIG. 8 is a perspective view of a second embodiment thereof;

FIG. 9 is a front view of the sensor of FIG. 8;

FIG. 10 is a rear view of the sensor of FIG. 8;

FIG. 11 is first side view of the sensor of FIG. 8;

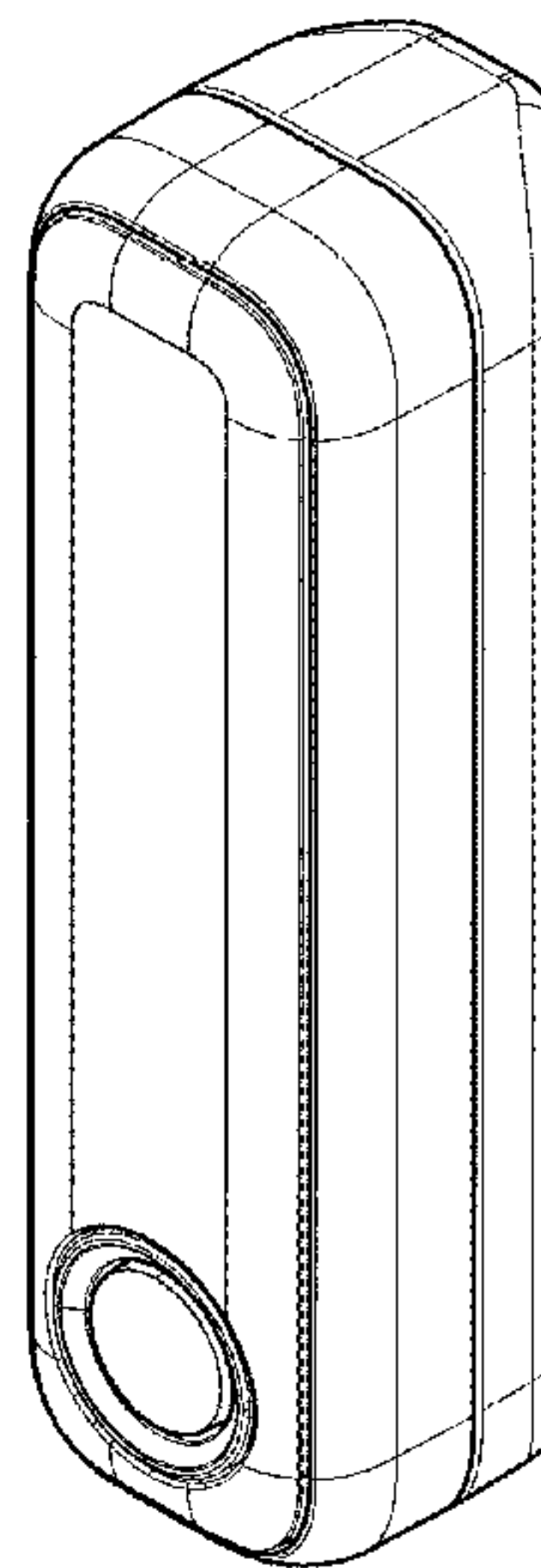
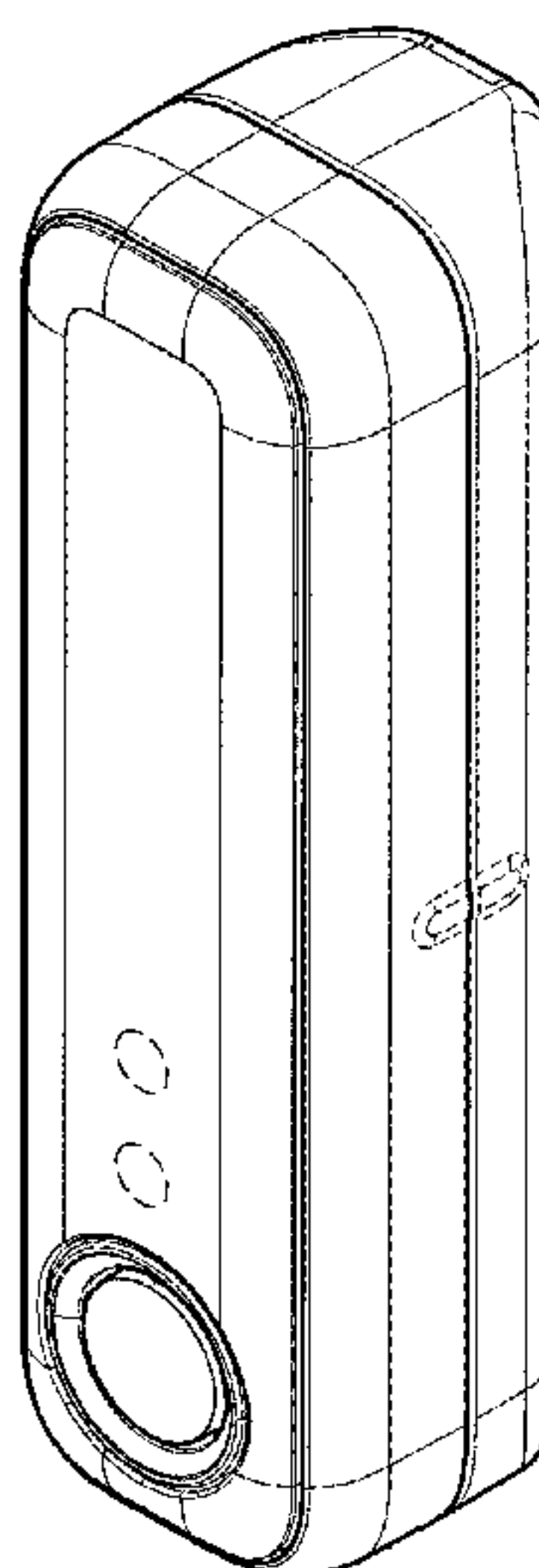
FIG. 12 is a second side view of the sensor of FIG. 8;

FIG. 13 is a top view of the sensor of FIG. 8; and,

FIG. 14 is a bottom view of the sensor of FIG. 8.

The broken lines show portions of a sensor that form no part of the claimed design.

**1 Claim, 12 Drawing Sheets**



(56)

**References Cited**

U.S. PATENT DOCUMENTS

D717,955	S	*	11/2014	Bishay	.....	D24/167
D723,952	S	*	3/2015	Gross	.....	D10/57
D724,970	S		3/2015	Hasegawa		
D738,757	S	*	9/2015	Gross	.....	D10/57
D755,974	S	*	5/2016	Chen	.....	D24/165
D764,957	S	*	8/2016	Bhattacharya	.....	D10/104.1
D764,958	S	*	8/2016	Scalisi	.....	D10/118.2
D767,568	S	*	9/2016	McWilliam	.....	D14/358
D771,568	S	*	11/2016	Romandy	.....	D13/133
D777,105	S	*	1/2017	Romandy	.....	D13/133
D787,359	S	*	5/2017	Scalisi	.....	D10/118.2
D789,363	S	*	6/2017	Jentz	.....	D14/218
D789,364	S	*	6/2017	Jentz	.....	D14/218
D789,365	S	*	6/2017	Jentz	.....	D14/218
D789,367	S	*	6/2017	Jentz	.....	D14/218
D789,819	S	*	6/2017	Chen	.....	D10/106.6
D790,546	S	*	6/2017	Zhou	.....	D14/426
D791,221	S	*	7/2017	Slaton	.....	G10G 7/02 D17/20

\* cited by examiner

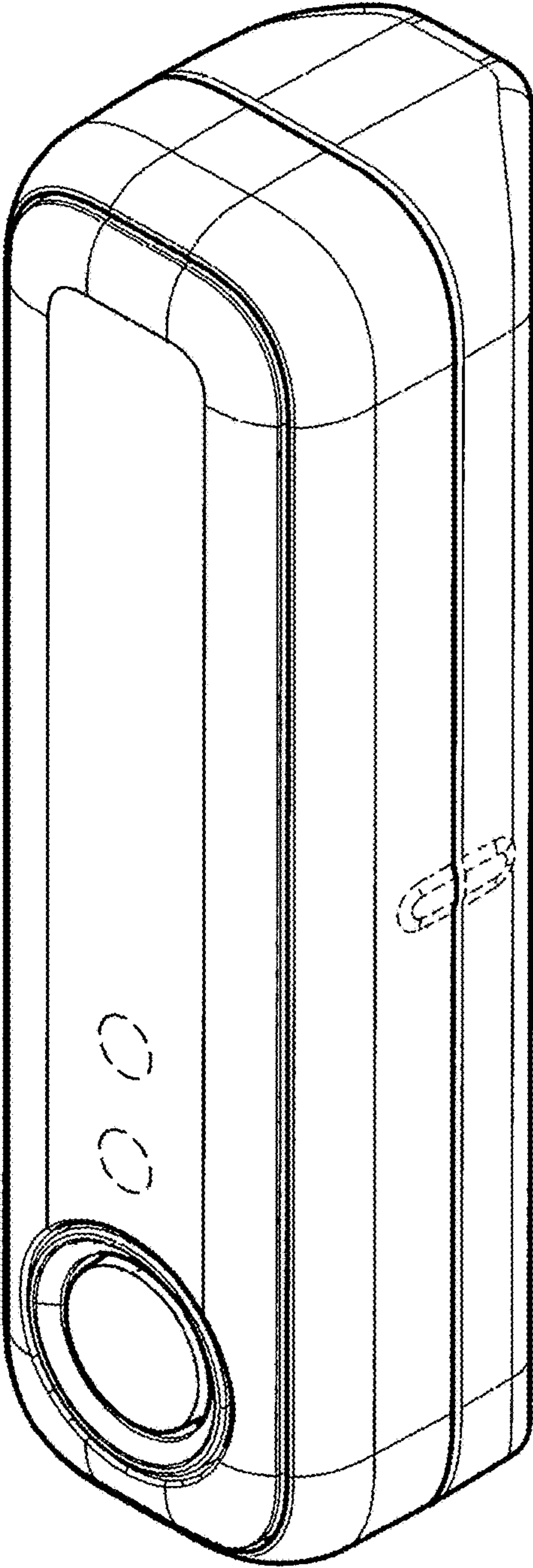


FIG. 1

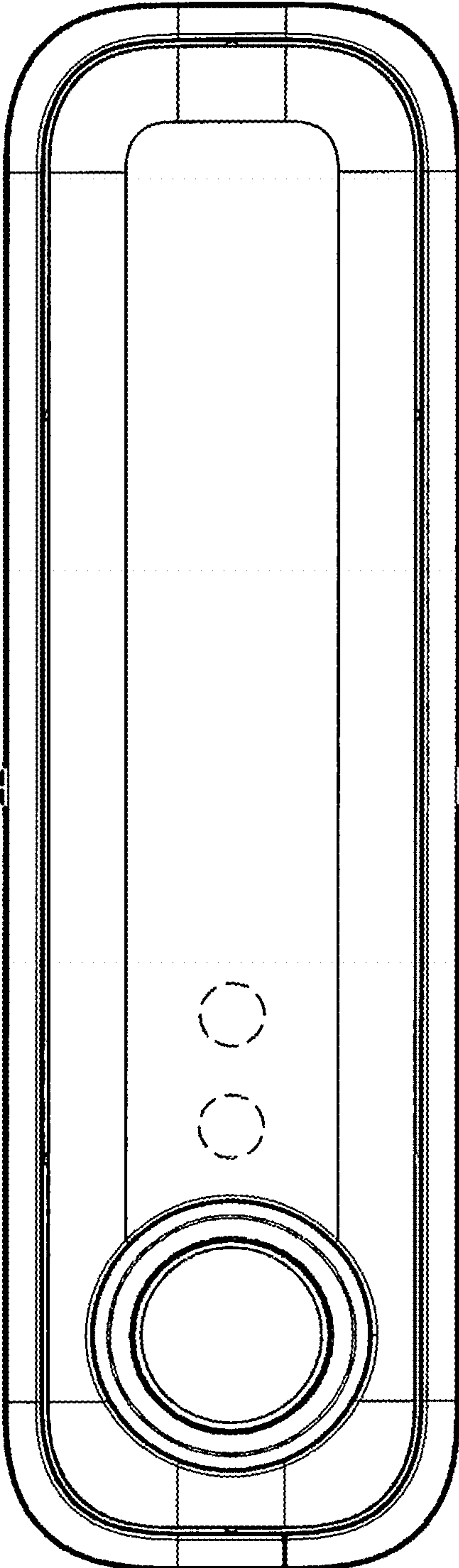


FIG. 2

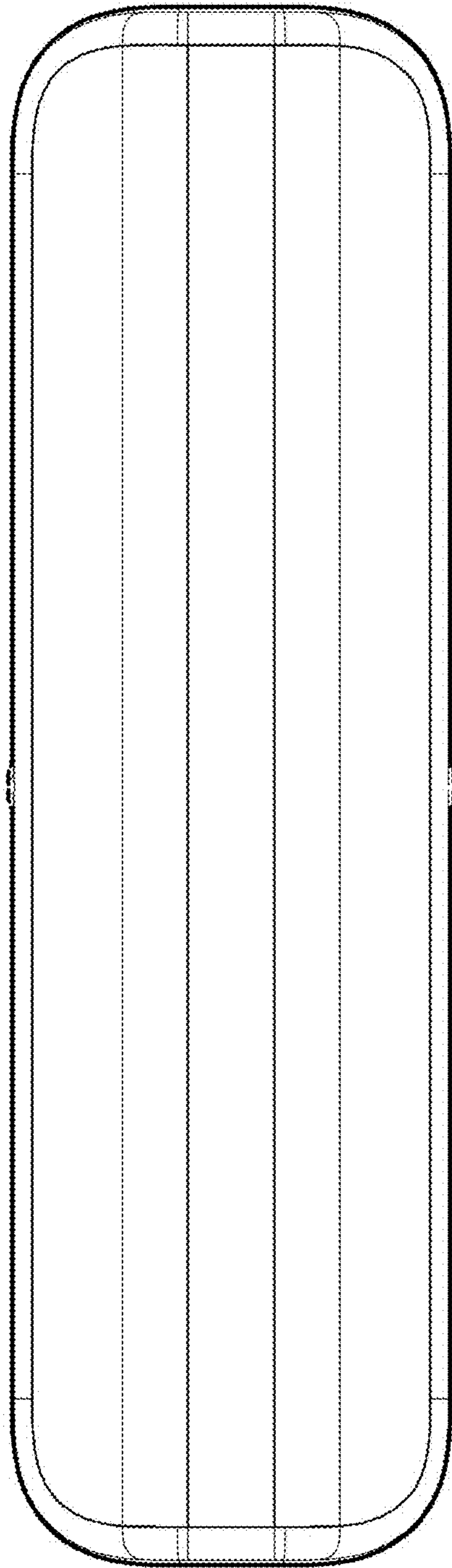


FIG. 3



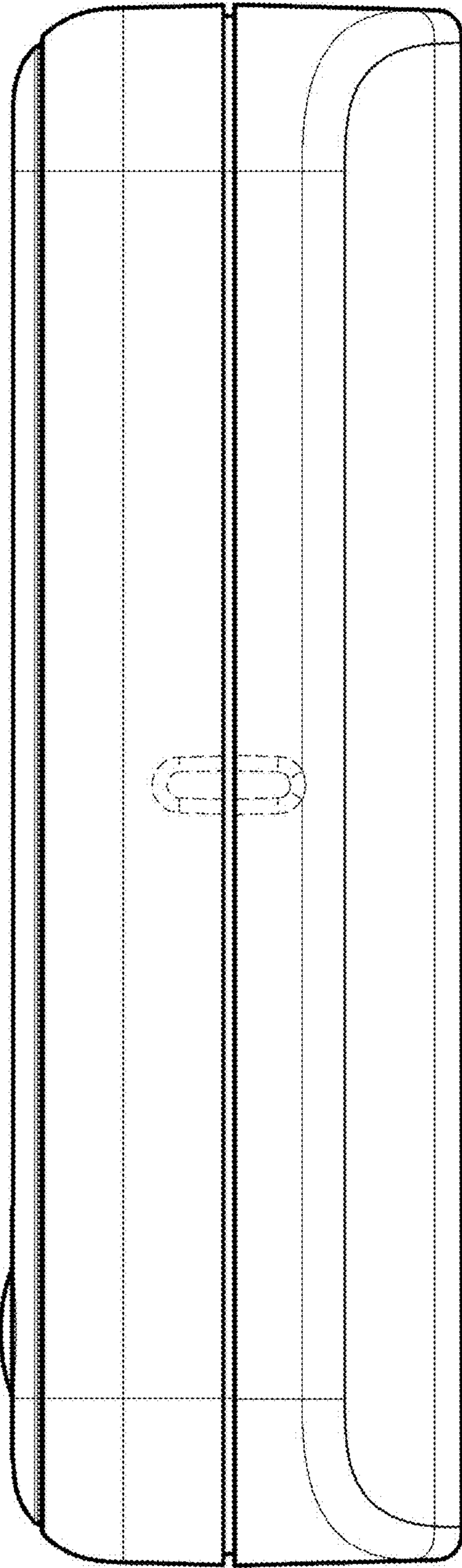


FIG. 4

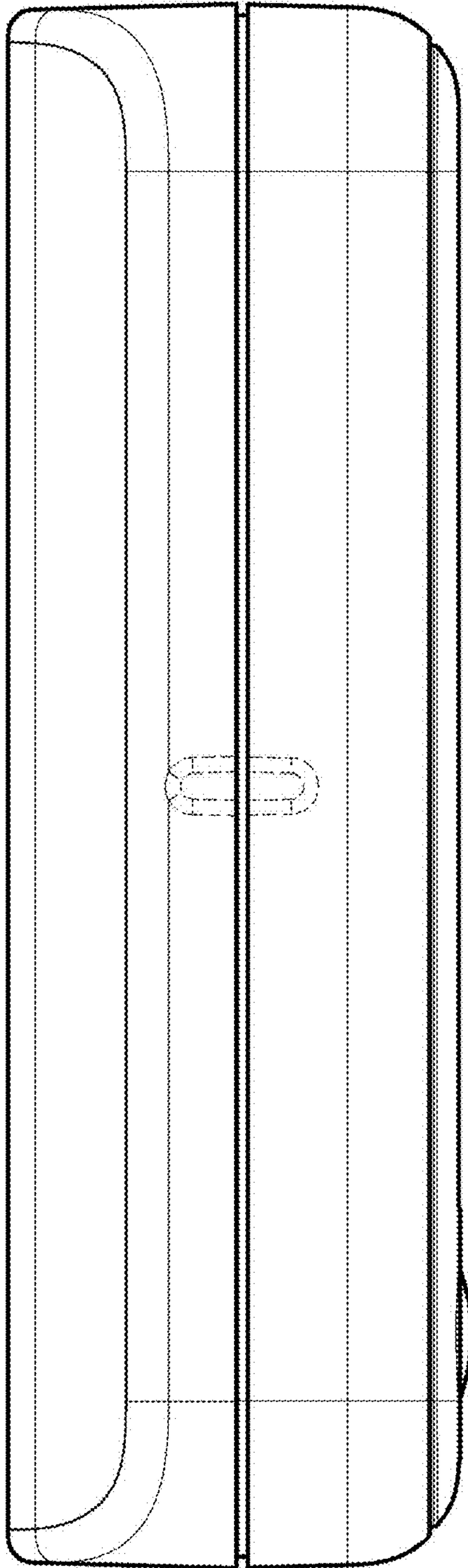


FIG. 5

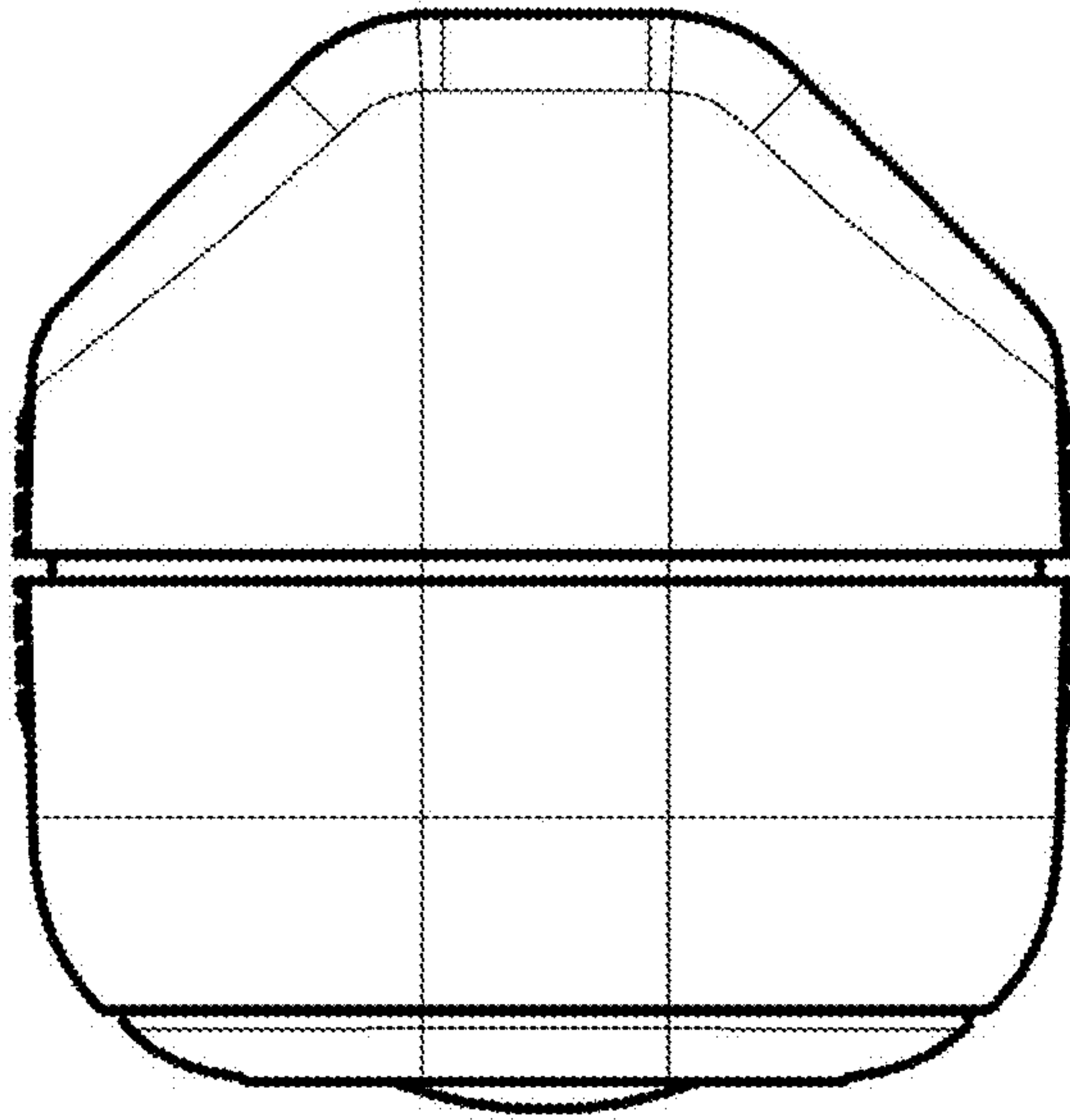


FIG. 6

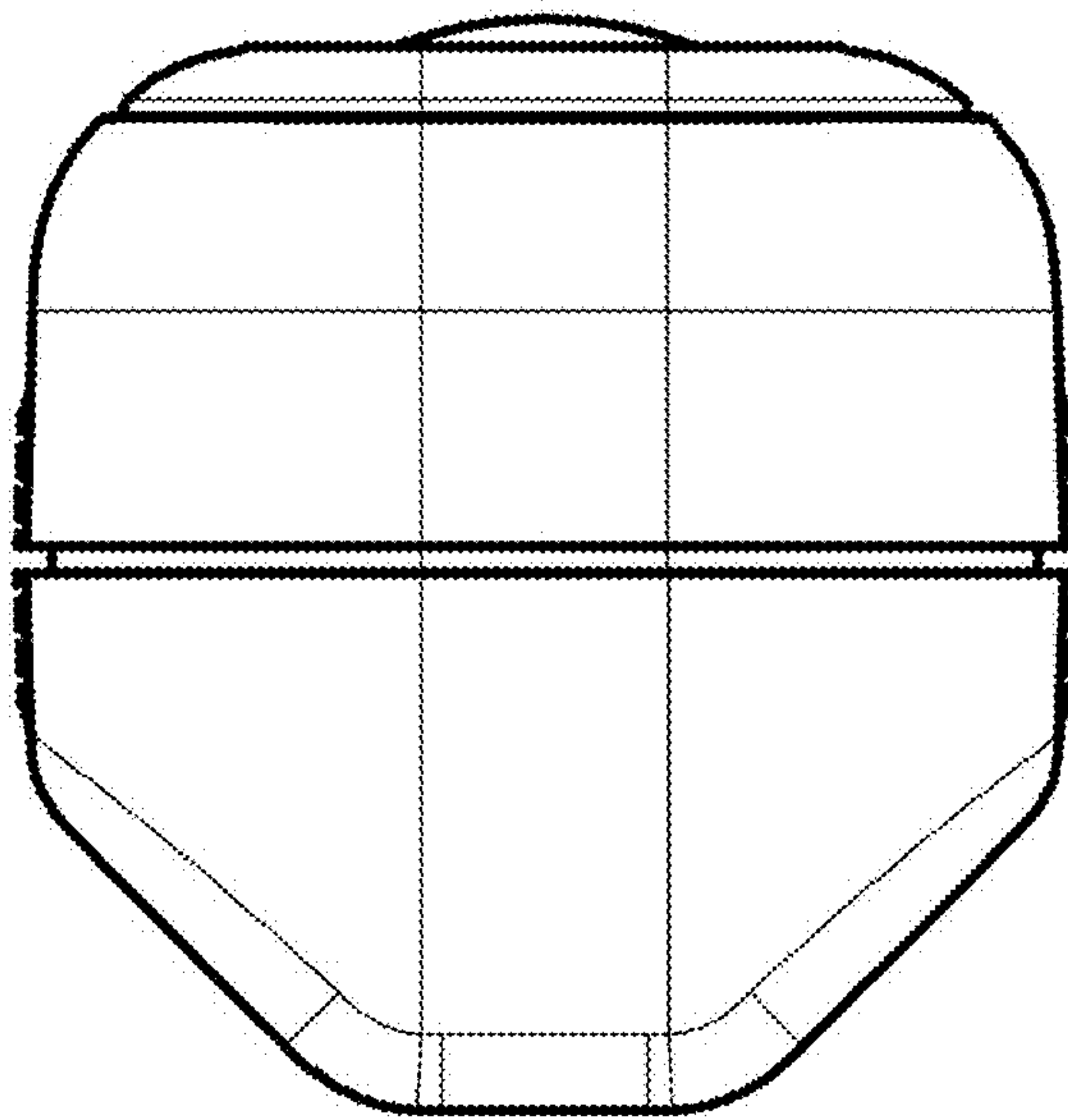


FIG. 7



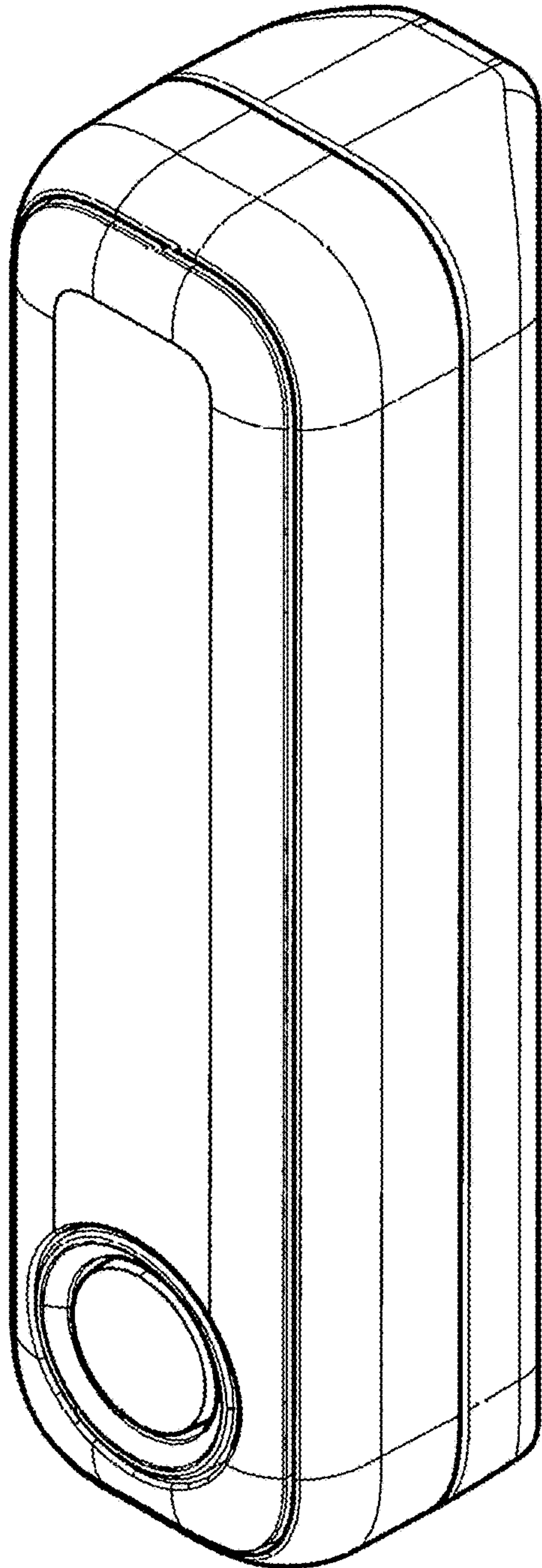


FIG. 8

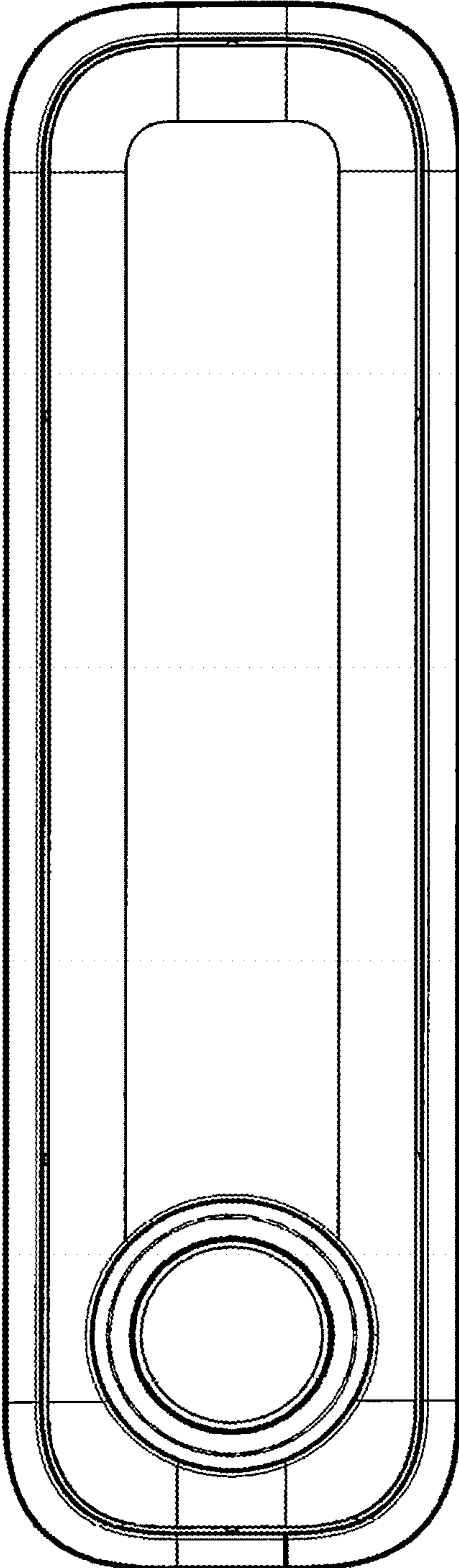


FIG. 9

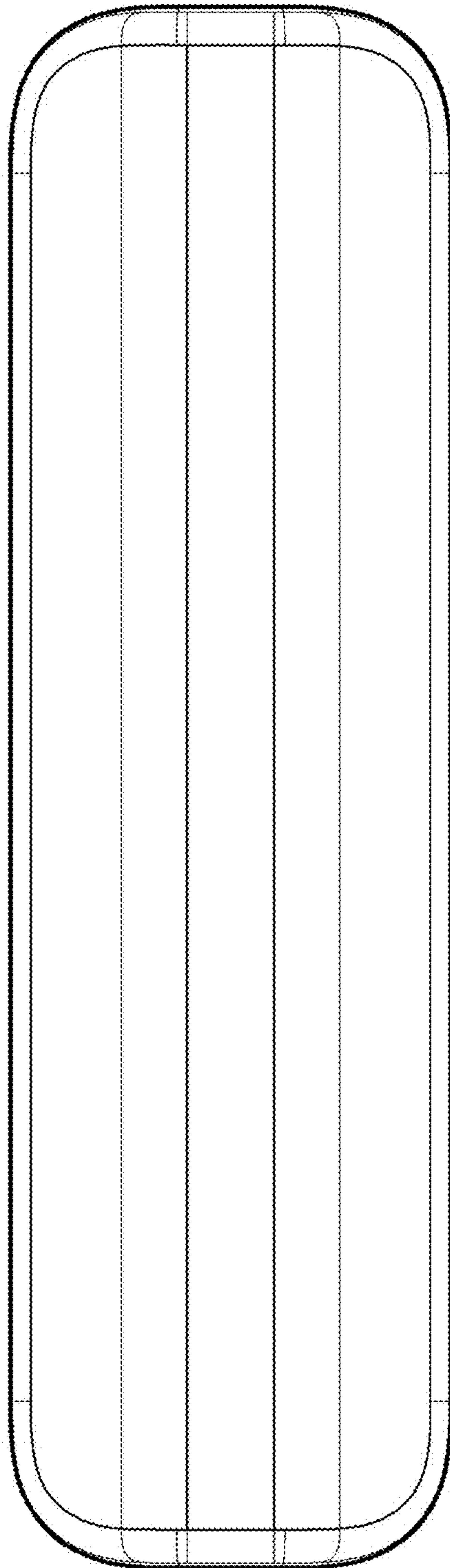


FIG. 10

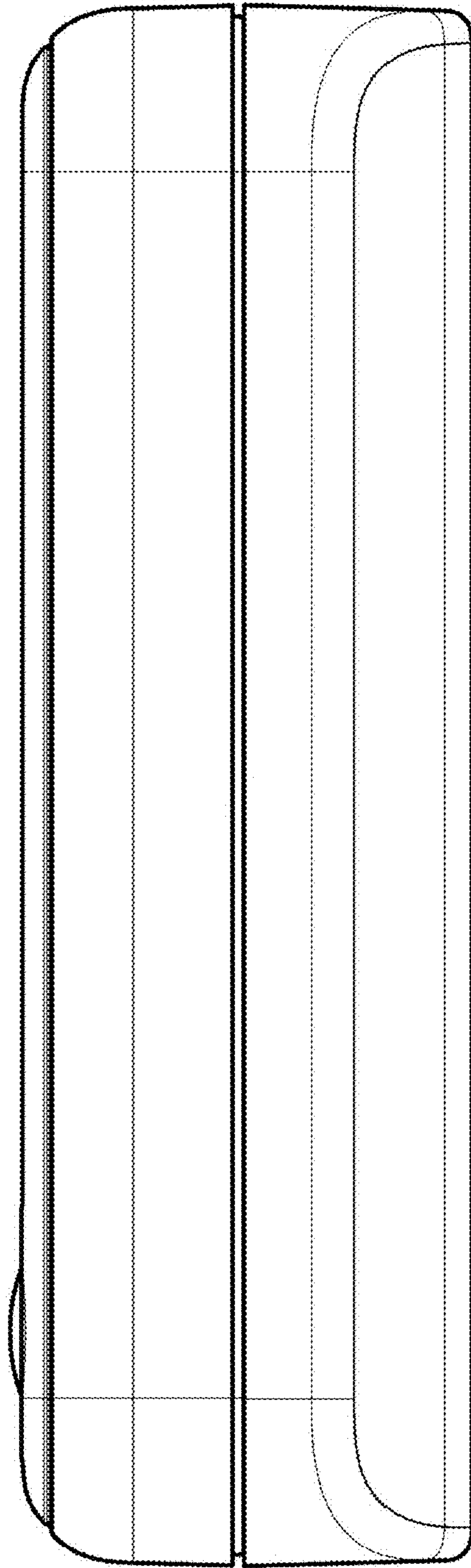


FIG. 11

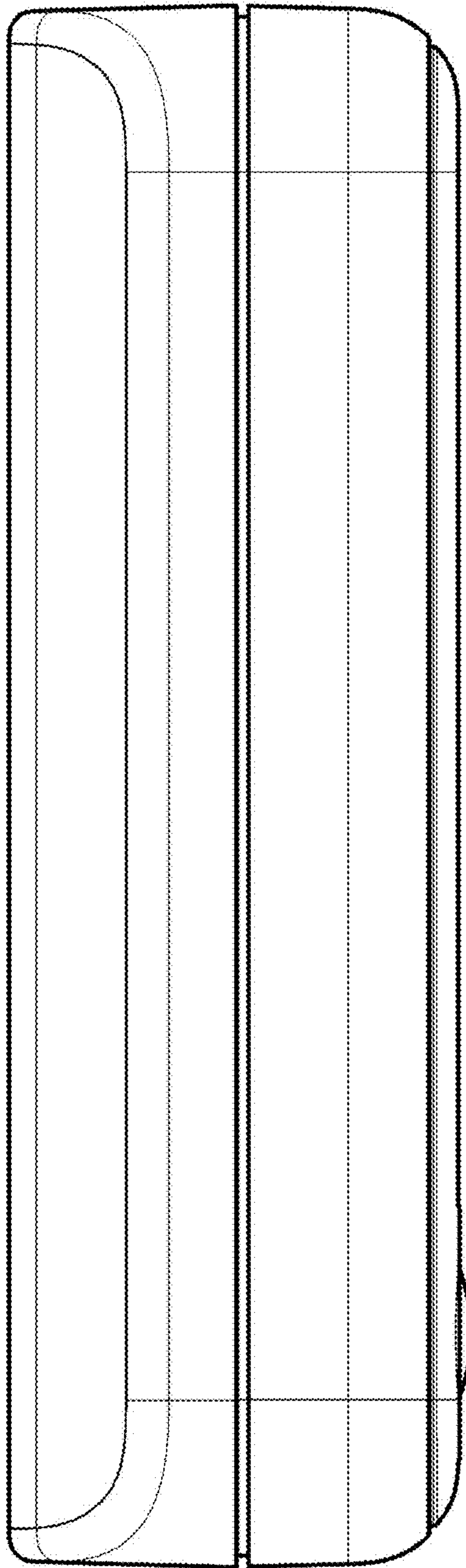


FIG. 12



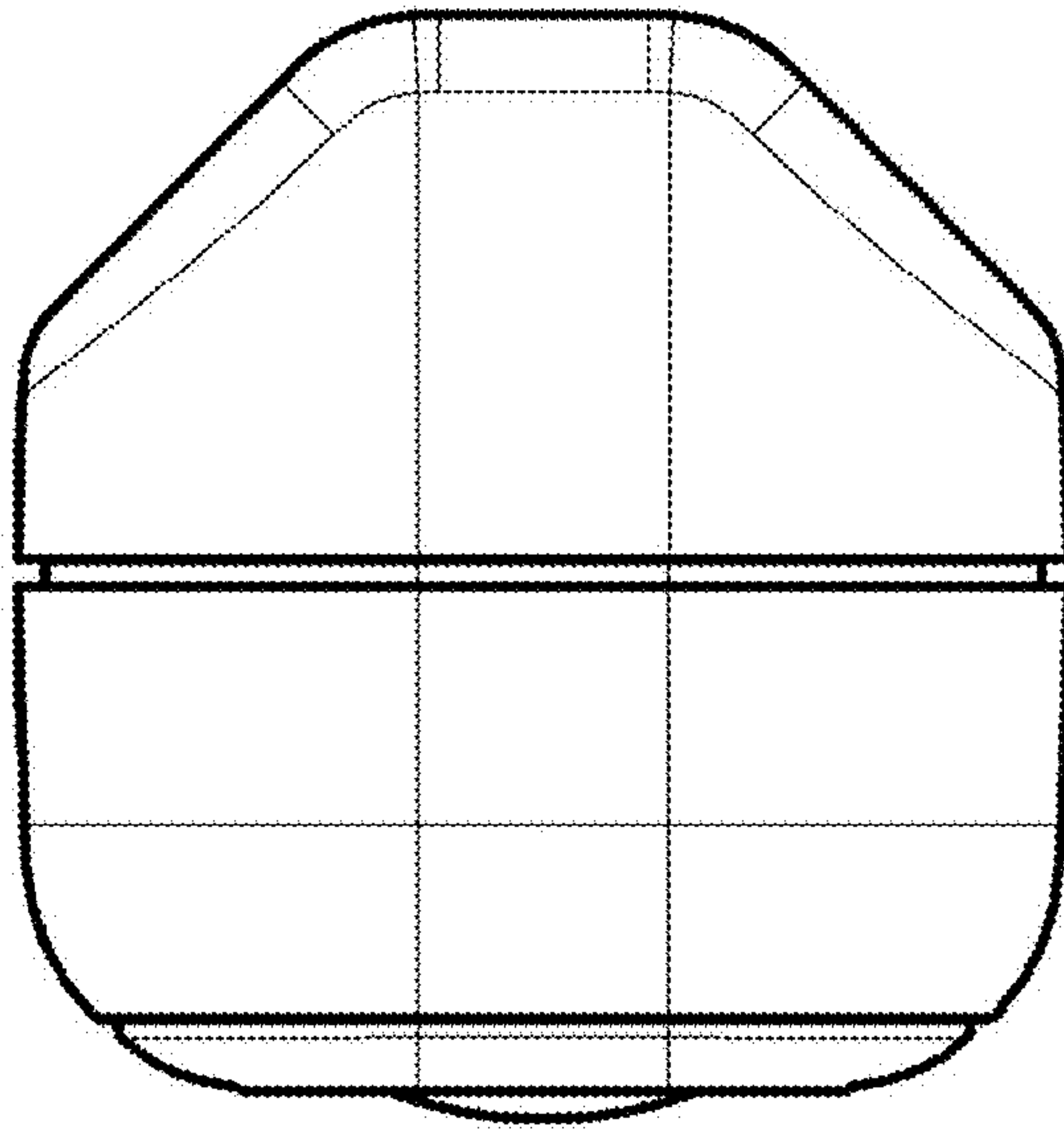


FIG. 13

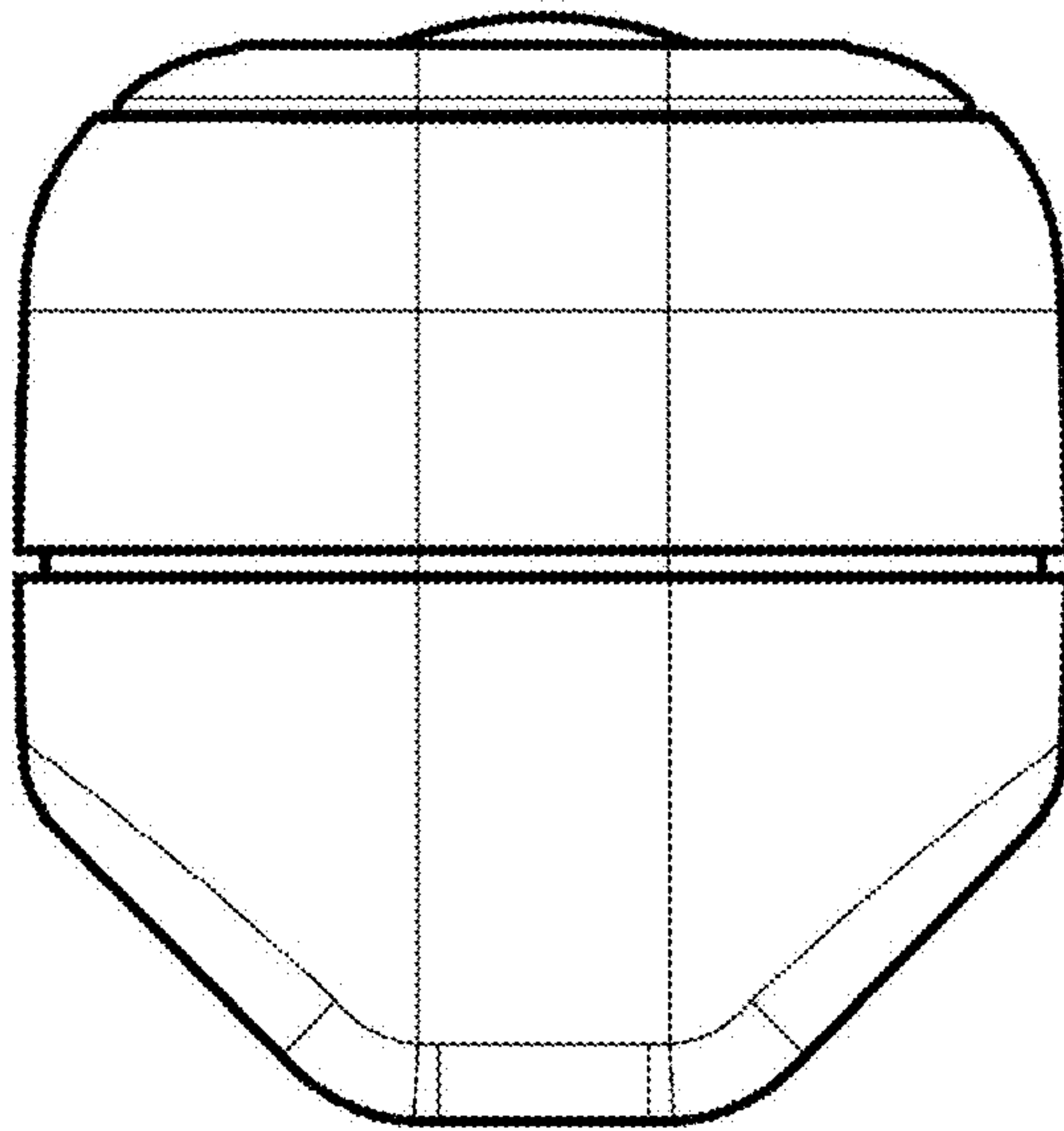


FIG. 14