



US00D855482S

(12) **United States Design Patent** (10) **Patent No.:** **US D855,482 S**
Yu (45) **Date of Patent:** **** *Aug. 6, 2019**

(54) **FOOD TEMPERATURE PROBE**

(71) Applicant: **Fuzhou Yishang Youpin Electronic Co. Ltd.**, Jianxin, Changshan, Fuzhou, Fujian (CN)

(72) Inventor: **Guo Yu**, Fuzhou (CN)

(73) Assignee: **Fuzhou Yishang Youpin Electronic Co. Ltd.**, Fuzhou (CN)

(*) Notice: This patent is subject to a terminal disclaimer.

(**) Term: **15 Years**

(21) Appl. No.: **29/591,645**

(22) Filed: **Jan. 23, 2017**

(30) **Foreign Application Priority Data**

Aug. 24, 2016 (CN) 2016 3 0419796

(51) **LOC (12) Cl.** **10-04**

(52) **U.S. Cl.**
USPC **D10/57**

(58) **Field of Classification Search**
USPC D10/57
CPC G01K 2207/02; G01K 2207/04; G01K 2207/06; G01K 2207/08

See application file for complete search history.

(56) **References Cited**

U.S. PATENT DOCUMENTS

D723,949 S * 3/2015 Cao D10/57

* cited by examiner

Primary Examiner — Antoine Duval Davis

(74) *Attorney, Agent, or Firm* — JCIPRNET

(57) **CLAIM**

The ornamental design for a food temperature probe, as shown and described.

DESCRIPTION

FIG. 1 is a top view of an embodiment of a food temperature probe;

FIG. 2 is a bottom view of the food temperature probe shown in FIG. 1;

FIG. 3 is a front view of the food temperature probe shown in FIG. 1;

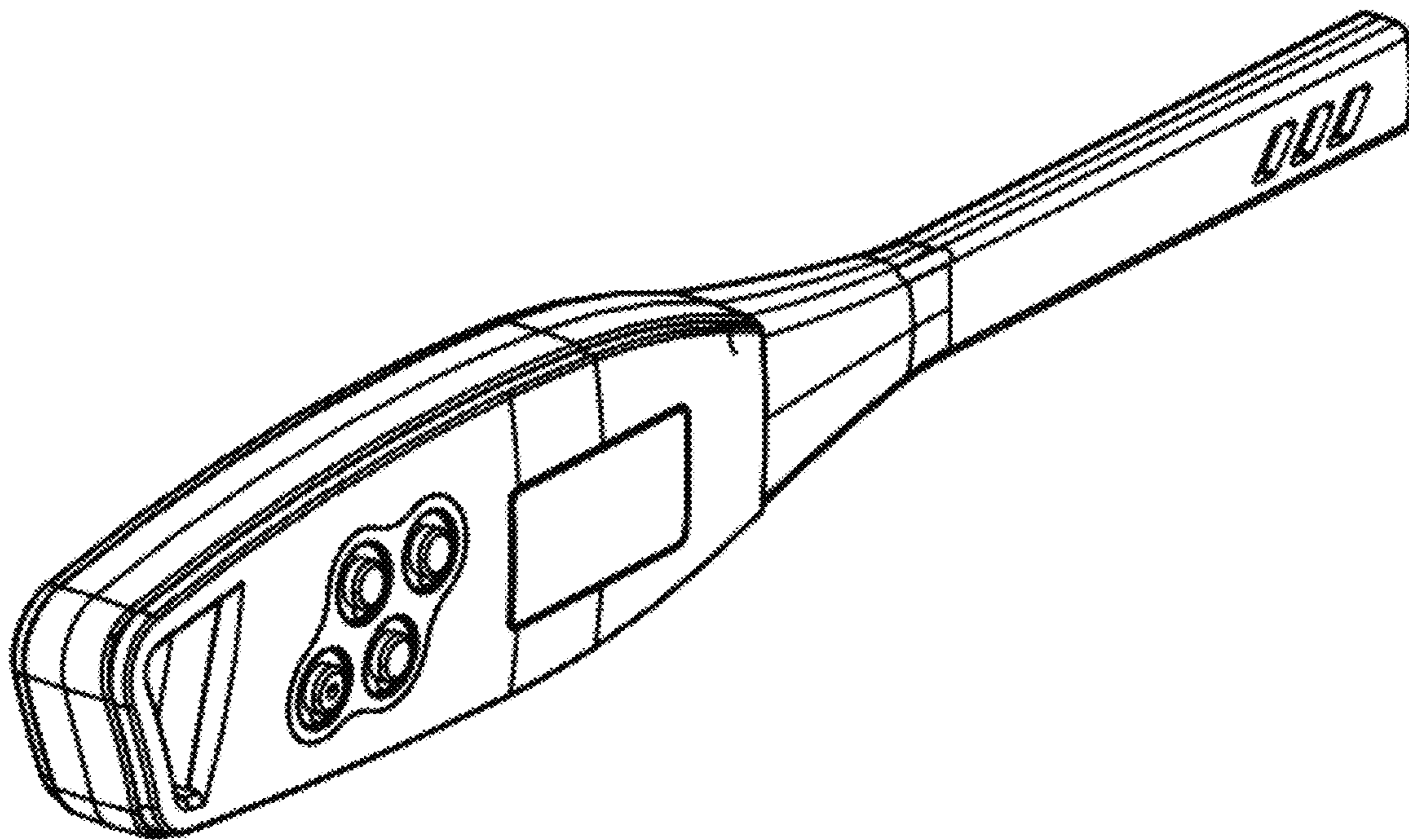
FIG. 4 is a rear view of the food temperature probe shown in FIG. 1;

FIG. 5 is a left side view of the food temperature probe shown in FIG. 1;

FIG. 6 is a right side view of the food temperature probe shown in FIG. 1; and,

FIG. 7 is a perspective view of the food temperature probe shown in FIG. 1; all arranged in accordance to one embodiment of the present disclosure.

1 Claim, 2 Drawing Sheets



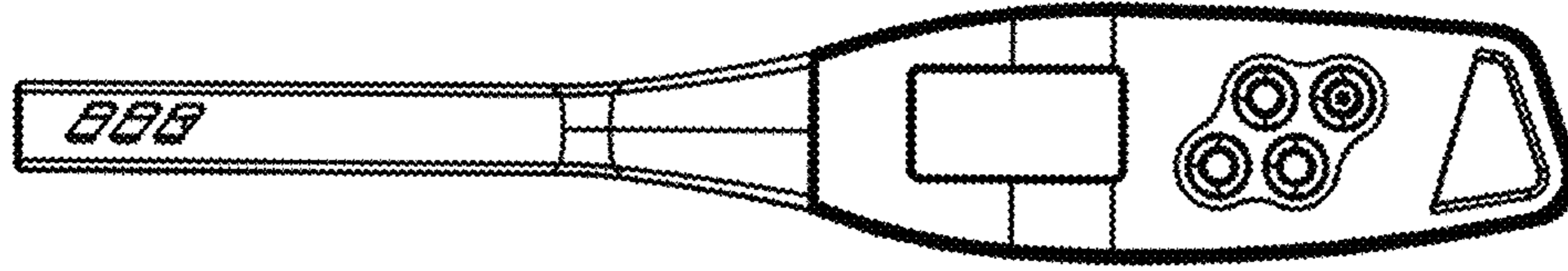


Figure 1

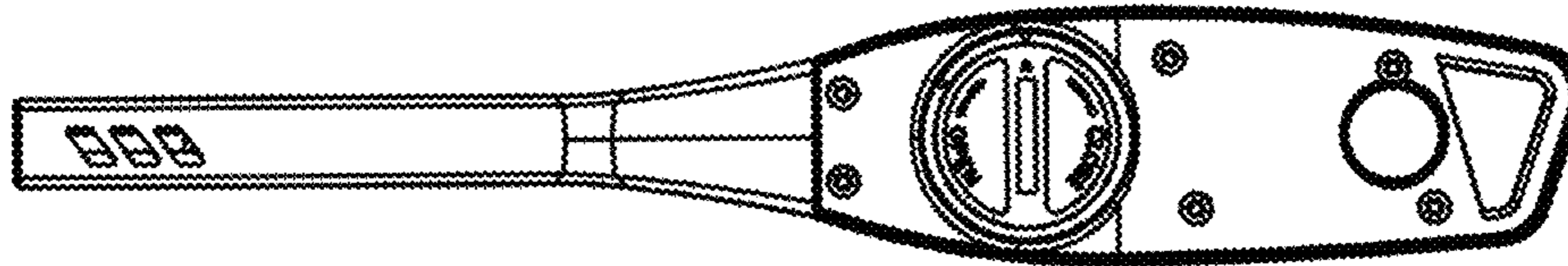


Figure 2

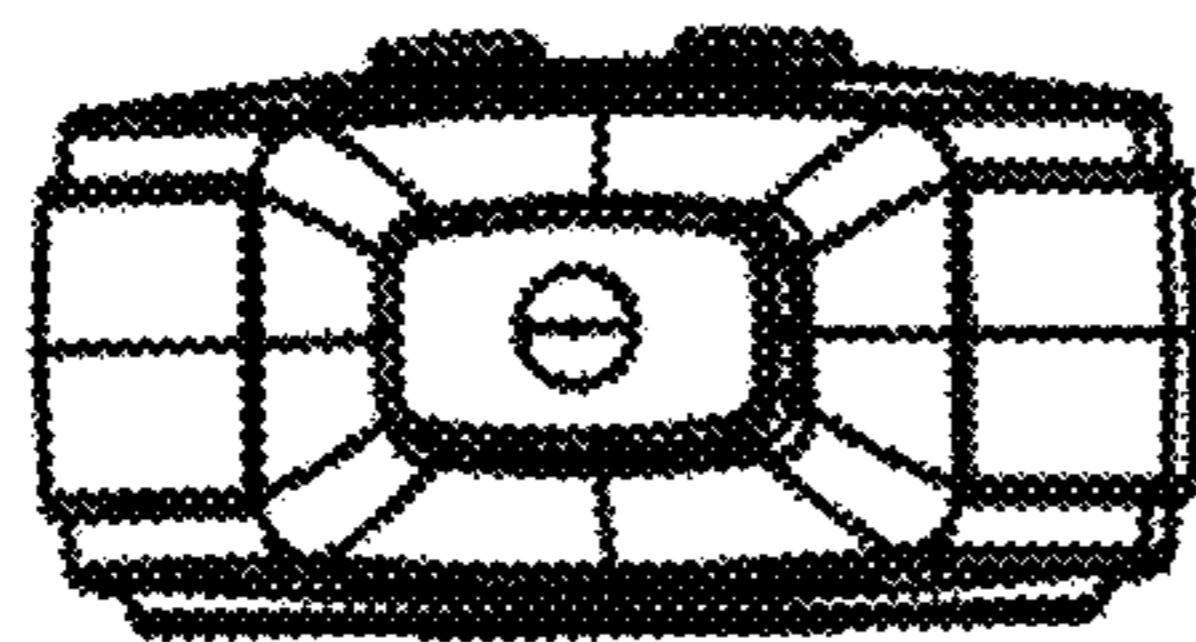


Figure 3

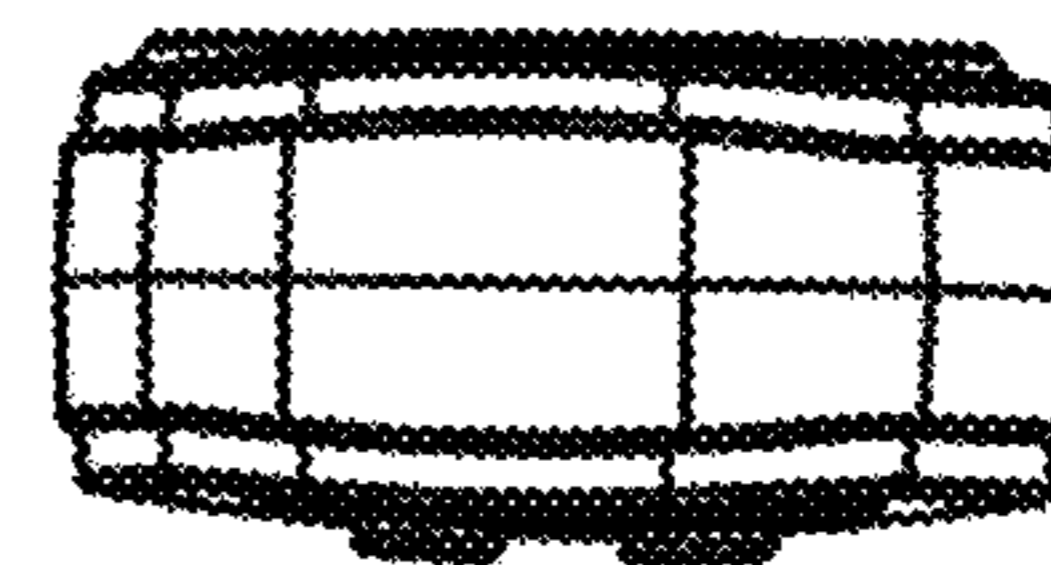


Figure 4

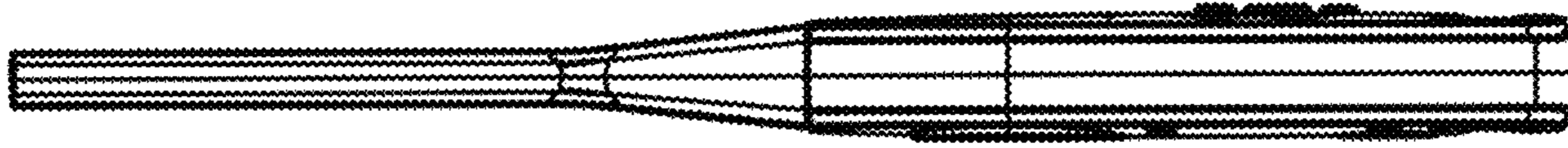


Figure 5

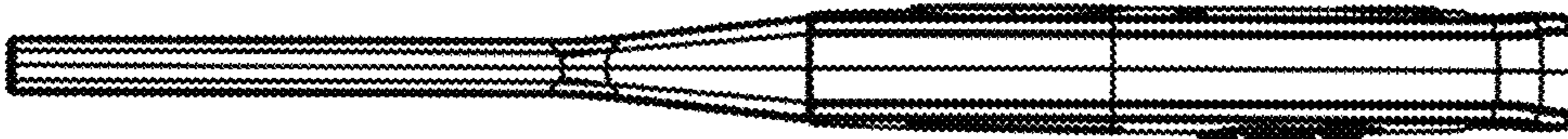


Figure 6

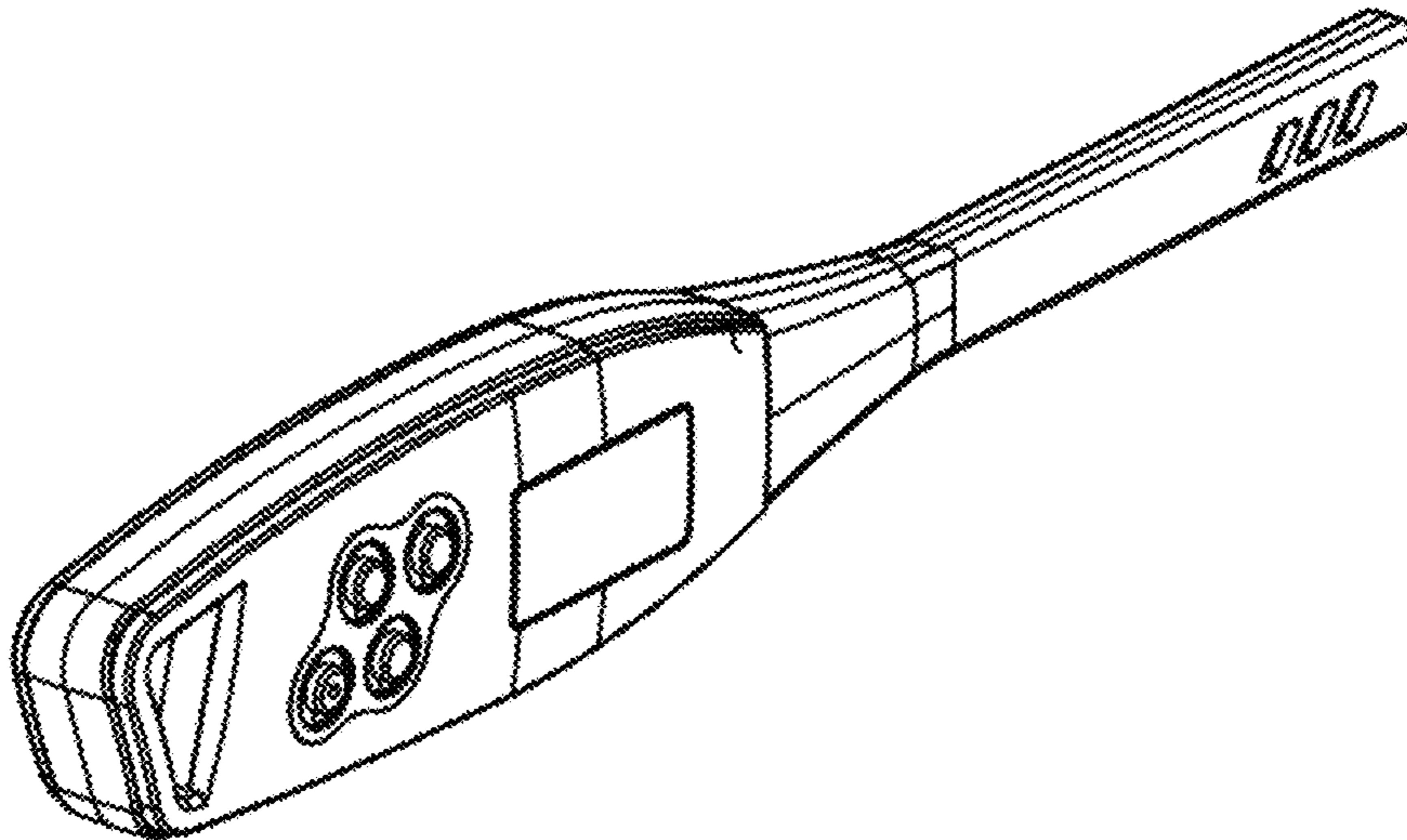


Figure 7