



US00D855481S

(12) **United States Design Patent**
Hasegawa et al.

(10) **Patent No.:** **US D855,481 S**

(45) **Date of Patent:** **** Aug. 6, 2019**

(54) **PYRANOMETER**

(71) Applicant: **EKO INSTRUMENTS CO., LTD.**,
Shibuya-ku, Tokyo (JP)

(72) Inventors: **Toshikazu Hasegawa**, Tokyo (JP);
Naoto Shimada, Tokyo (JP)

(73) Assignee: **Eko Instruments Co., Ltd.** (JP)

(**) Term: **15 Years**

(21) Appl. No.: **29/644,530**

(22) Filed: **May 3, 2018**

Related U.S. Application Data

(62) Division of application No. 35/501,624, filed on Mar. 25, 2016 (U.S. filing date under 35 U.S.C. 384), and having an international filing date of Mar. 25, 2016, now abandoned.

(51) **LOC (12) Cl.** **10-04**

(52) **U.S. Cl.**
USPC **D10/47**

(58) **Field of Classification Search**
USPC D10/106.5, 47, 46, 52, 103
CPC ... G01J 1/04; G01J 1/02; G01J 1/0271; G01S
3/7861

See application file for complete search history.

(56) **References Cited**

U.S. PATENT DOCUMENTS

4,491,727 A 1/1985 Appelbaum et al.
D377,321 S 1/1997 Tomizawa

D412,456 S 8/1999 Uehara
D519,860 S 5/2006 Bugbee
D526,220 S 8/2006 Wildey et al.
D597,863 S 8/2009 Kataoka et al.
8,294,101 B2 * 10/2012 Dolce G01J 1/0271
250/338.1
8,481,905 B2 7/2013 Dolce
8,481,943 B2 7/2013 Dolce
9,329,256 B2 5/2016 Dolce
D795,092 S 8/2017 Trishaun
D816,518 S * 5/2018 Brown E06B 9/24
D10/46
10,209,132 B2 * 2/2019 Tatsiankou G01N 21/31

* cited by examiner

Primary Examiner — George D. Kirschbaum
(74) *Attorney, Agent, or Firm* — Saidman DesignLaw
Group, LLC

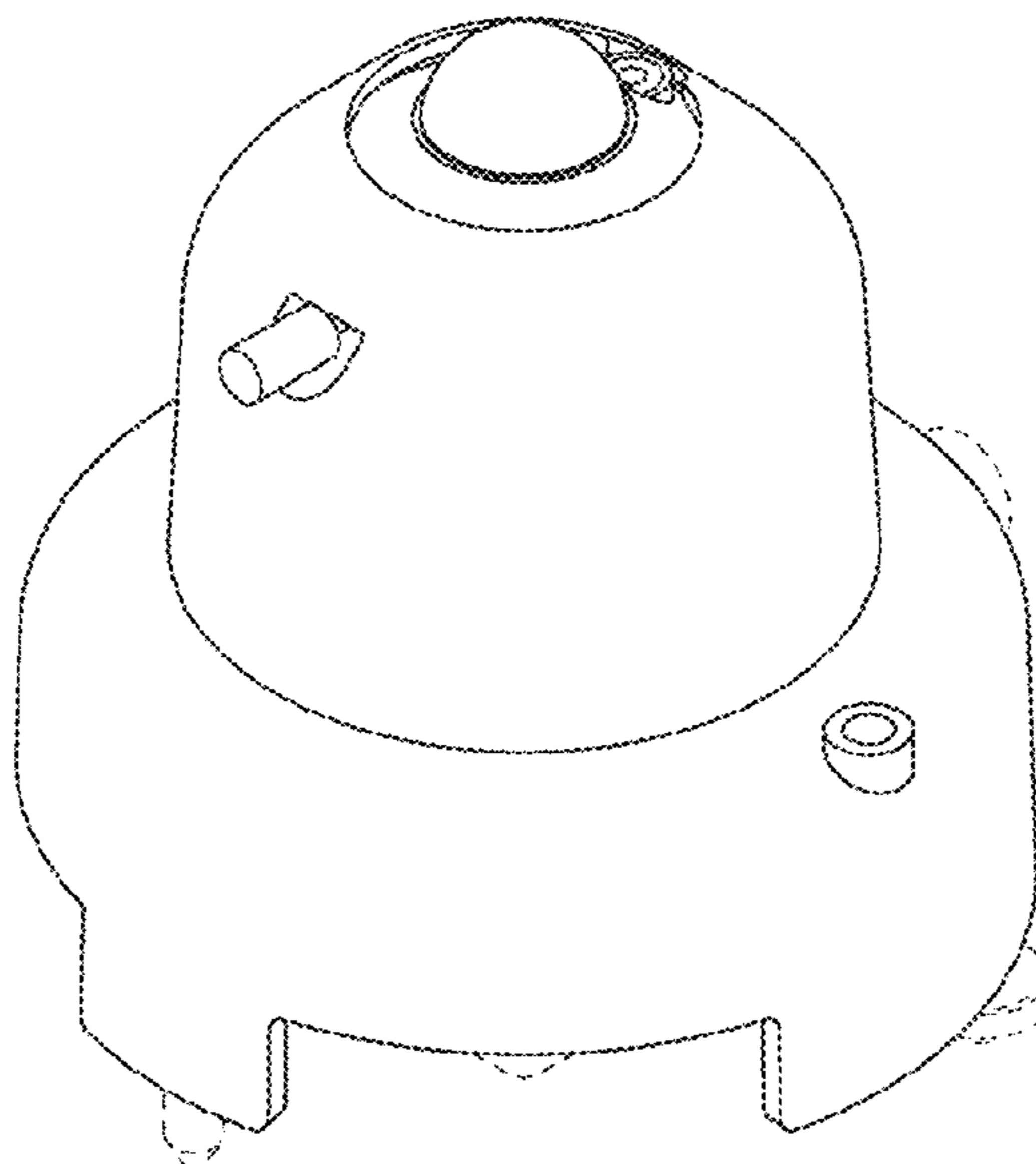
(57) **CLAIM**

The ornamental design for a pyranometer, as shown and described.

DESCRIPTION

FIG. 1 is a perspective view of a pyranometer showing our new design;
FIG. 2 is a front view thereof;
FIG. 3 is a rear view thereof;
FIG. 4 is a top view thereof;
FIG. 5 is a bottom thereof;
FIG. 6 is a right side view thereof; and,
FIG. 7 is a left side view thereof.
The broken line disclosure does not form part of the claimed design.

1 Claim, 7 Drawing Sheets



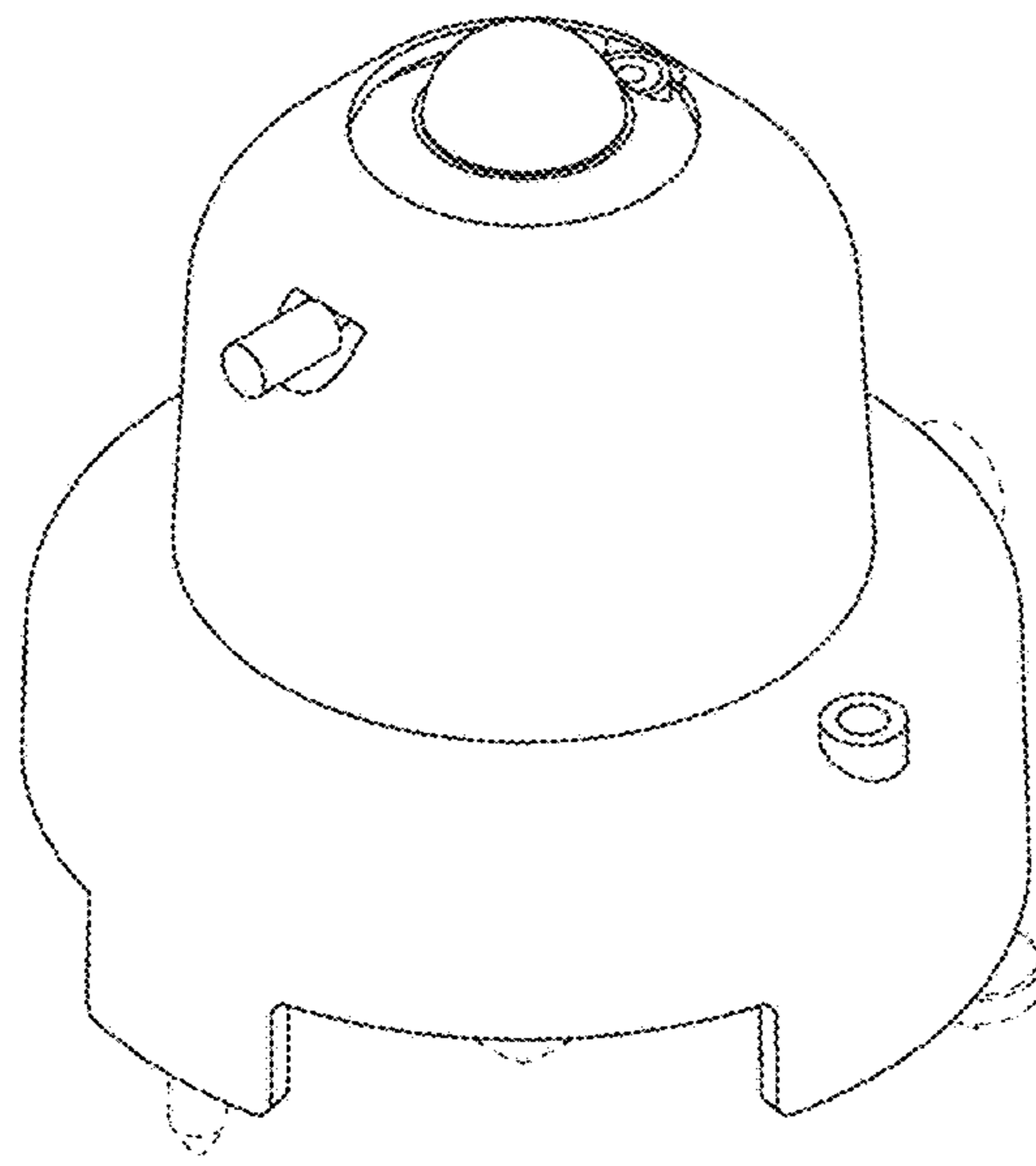


FIG. 1

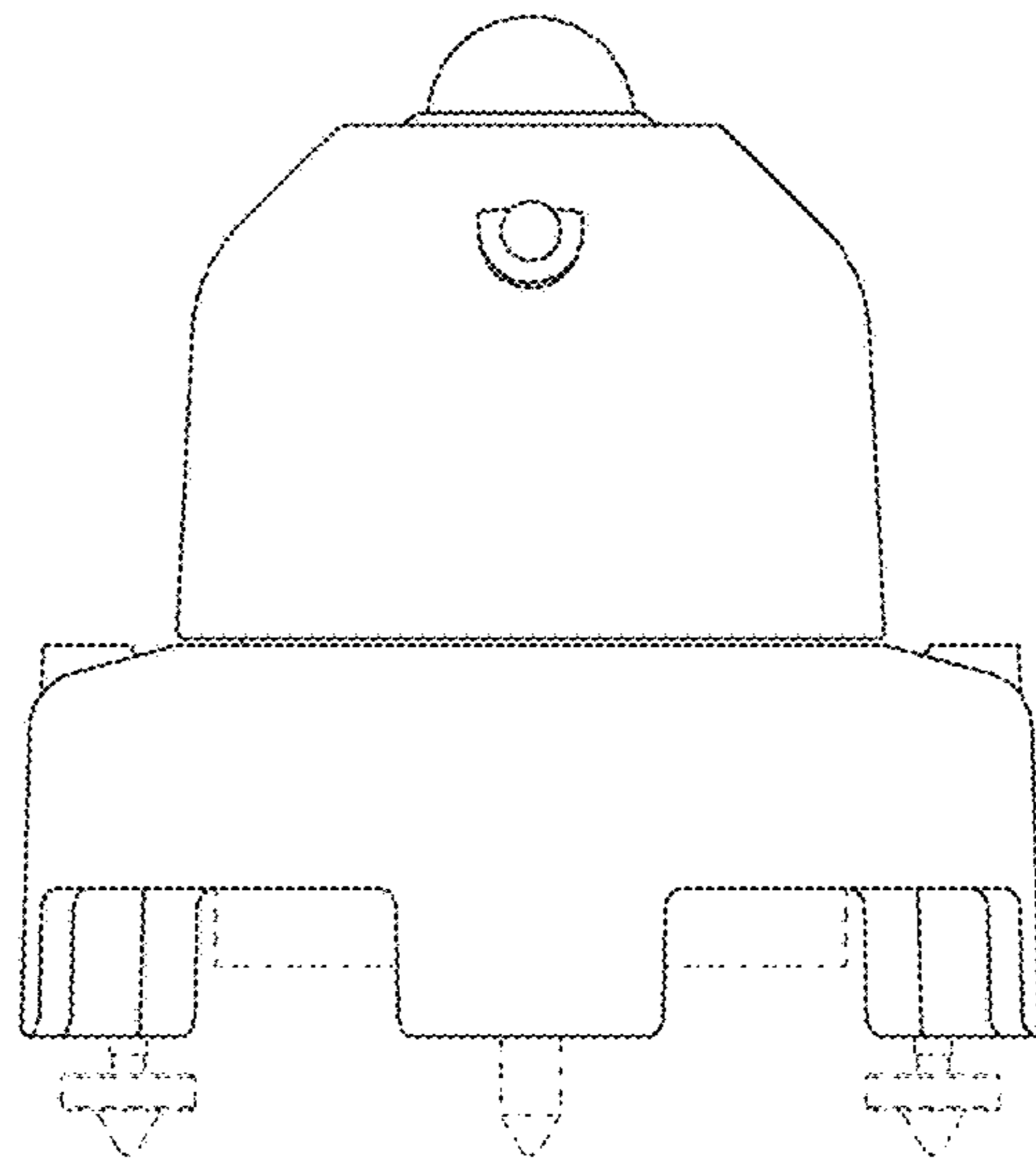


FIG. 2

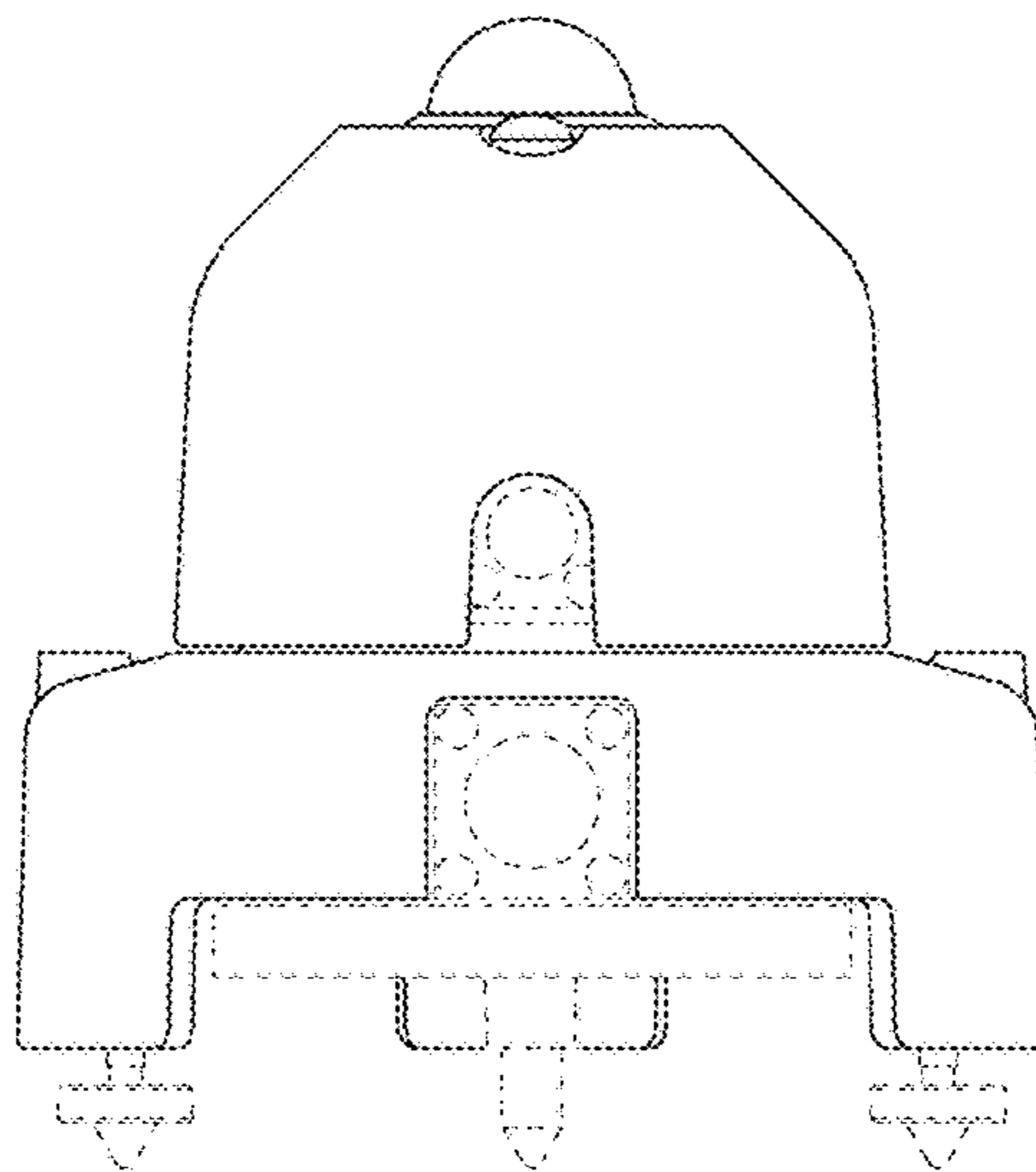


FIG. 3

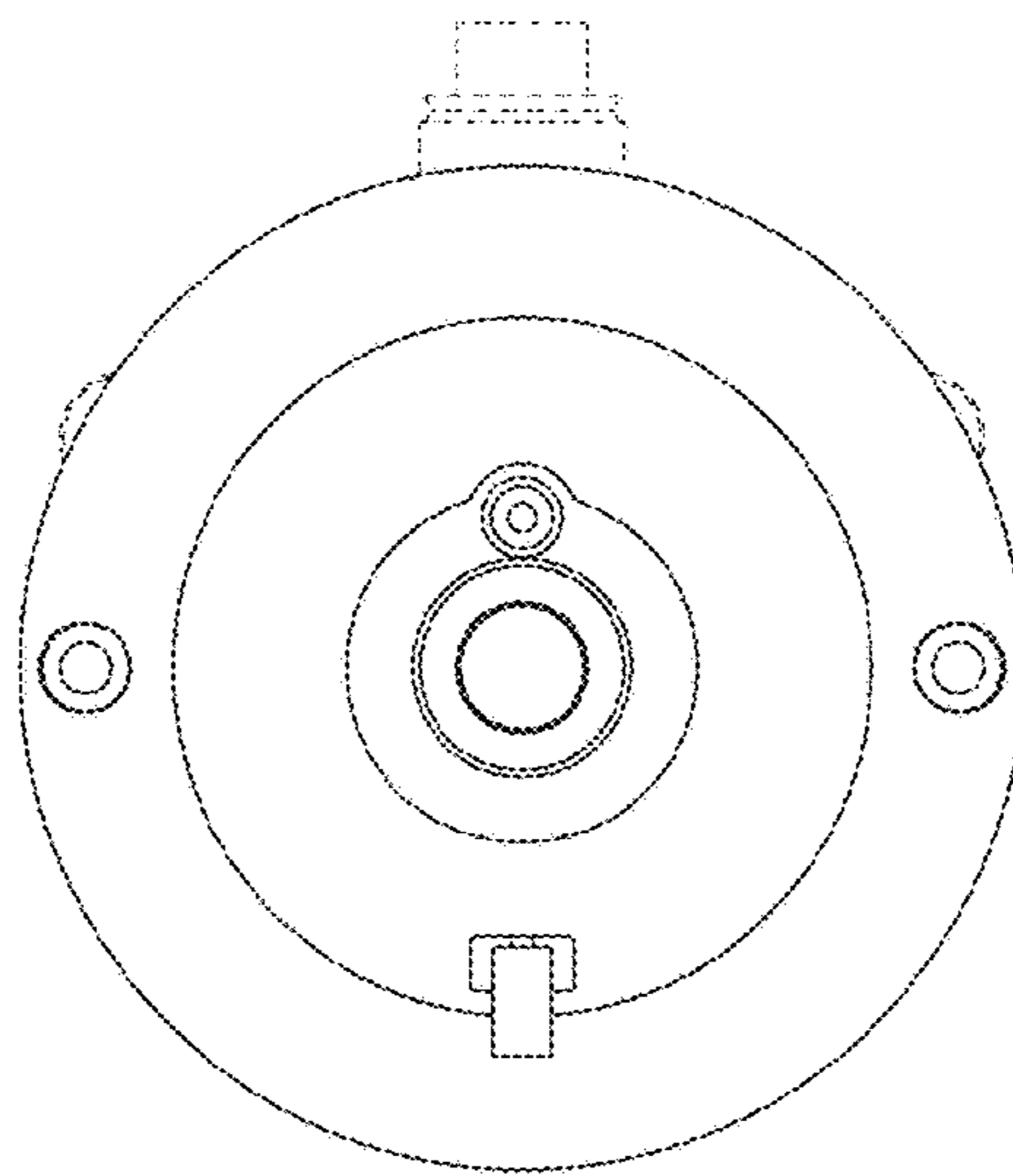


FIG. 4

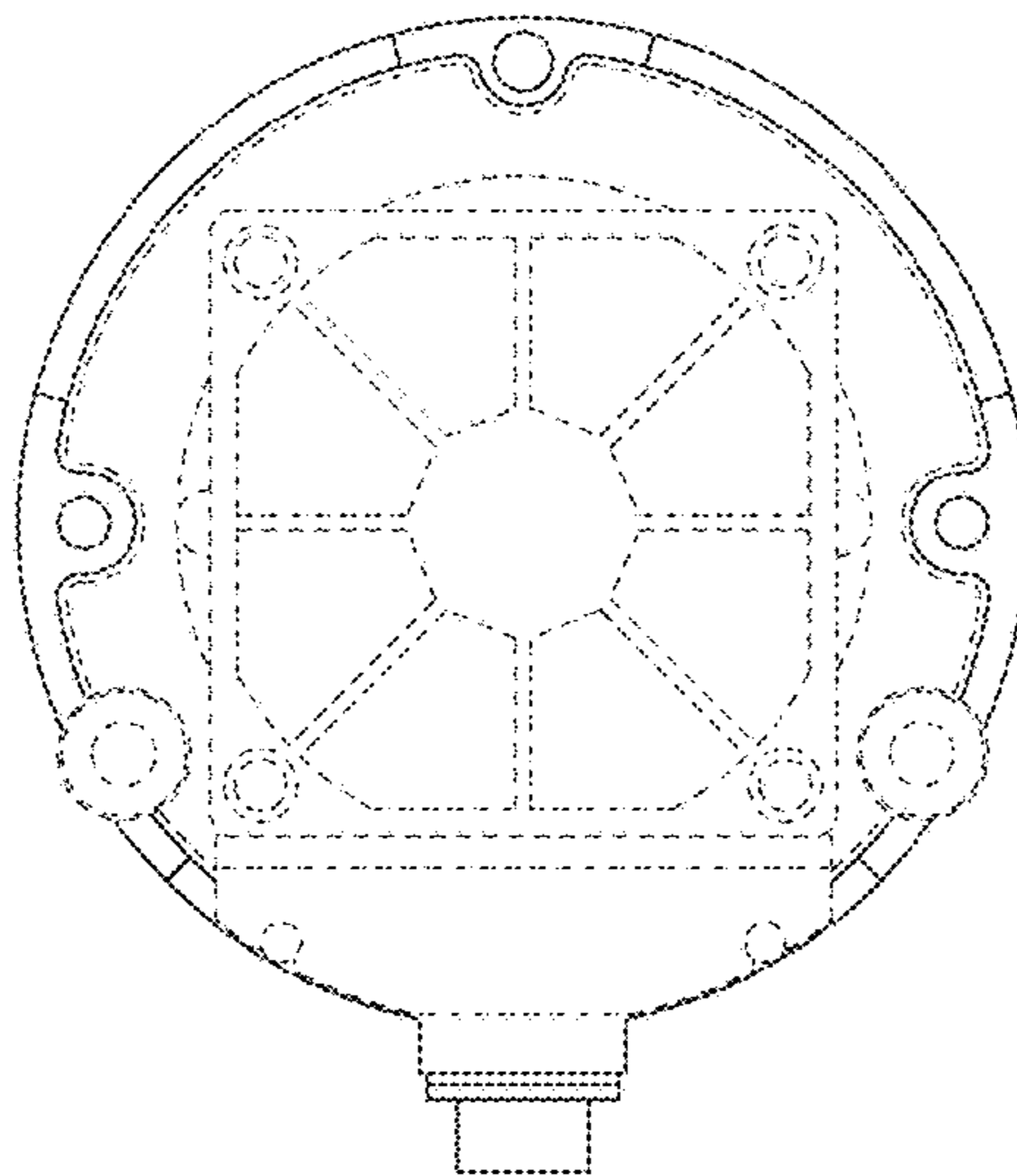


FIG. 5

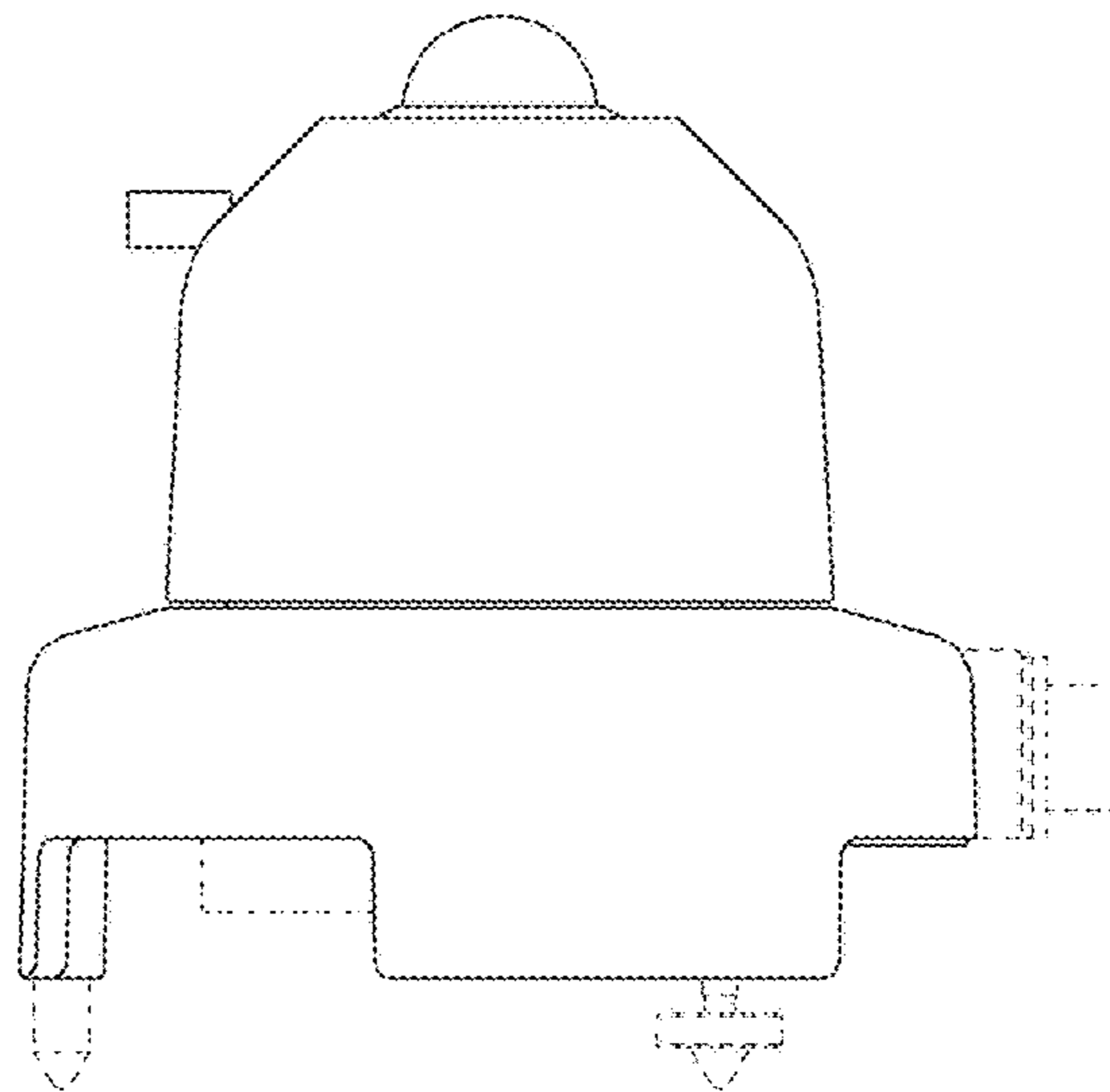


FIG. 6

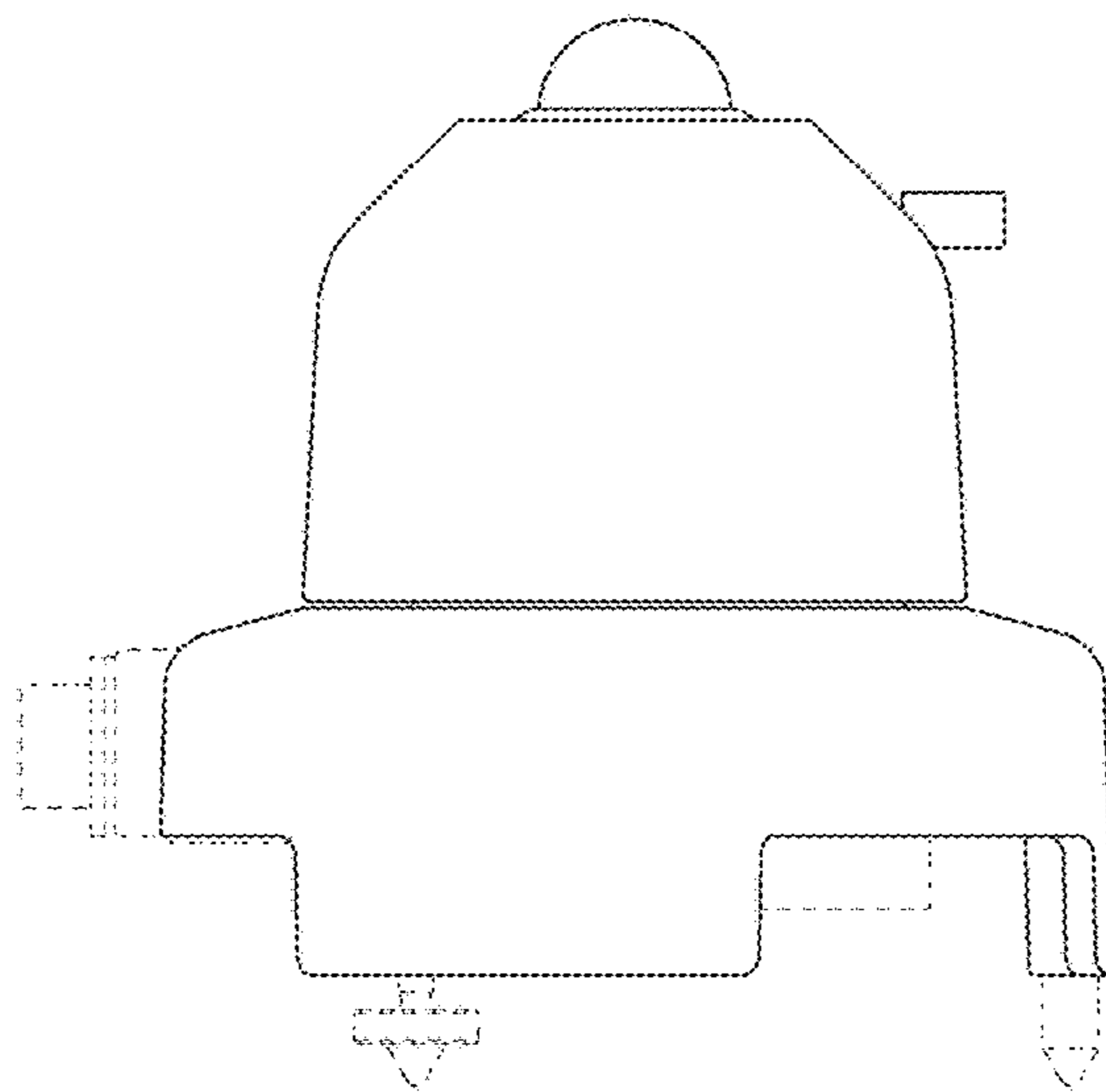


FIG. 7