



US00D855478S

(12) **United States Design Patent** (10) **Patent No.:** **US D855,478 S**
Vorobej (45) **Date of Patent:** **** Aug. 6, 2019**

(54) **PACKAGE**

(71) Applicant: **XPO Logistics Supply Chain**, High Point, NC (US)

(72) Inventor: **Anndrea Vorobej**, Greensboro, NC (US)

(73) Assignee: **XPO Logistics Supply Chain**, High Point, NC (US)

(**) Term: **15 Years**

(21) Appl. No.: **29/658,268**

(22) Filed: **Jul. 30, 2018**

Related U.S. Application Data

(62) Division of application No. 29/623,636, filed on Oct. 26, 2017, now Pat. No. Des. 824,269, which is a (Continued)

(51) **LOC (12) Cl.** **09-03**

(52) **U.S. Cl.**
USPC **D9/756; D9/426**

(58) **Field of Classification Search**
USPC D9/341, 347, 414-432, 440, 444, 447, D9/449, 450-454, 503, 504, 737, 759, (Continued)

(56) **References Cited**

U.S. PATENT DOCUMENTS

D204,505 S * 4/1966 Bostrom D9/757
3,342,397 A * 9/1967 Duitsman B65D 1/36
206/515

(Continued)

Primary Examiner — Cathron C Brooks

Assistant Examiner — W. A. Teddy Falloway

(74) *Attorney, Agent, or Firm* — Kilpatrick Townsend & Stockton LLP

(57) **CLAIM**

I claim the ornamental design for a package, as shown and described.

DESCRIPTION

FIG. 1 is a perspective view of a package comprising the present invention.

FIG. 2 is a front elevational view of the package shown in FIG. 1.

FIG. 3 is a rear elevational view of the package shown in FIGS. 1 and 2.

FIG. 4 is a right elevational view of the package shown in FIGS. 1, 2, and 3.

FIG. 5 is a left elevational view of the package shown in FIGS. 1, 2, 3, and 4.

FIG. 6 is a top plan view of the package shown in FIGS. 1, 2, 3, 4, and 5.

FIG. 7 is a bottom plan view of the package shown in FIGS. 1, 2, 3, 4, 5, and 6.

FIG. 8 is a perspective view of another embodiment of a package comprising the present invention.

FIG. 9 is a front elevational view of the package shown in FIG. 8.

FIG. 10 is a rear elevational view of the package shown in FIGS. 8 and 9.

FIG. 11 is a right elevational view of the package shown in FIGS. 8, 9, and 10.

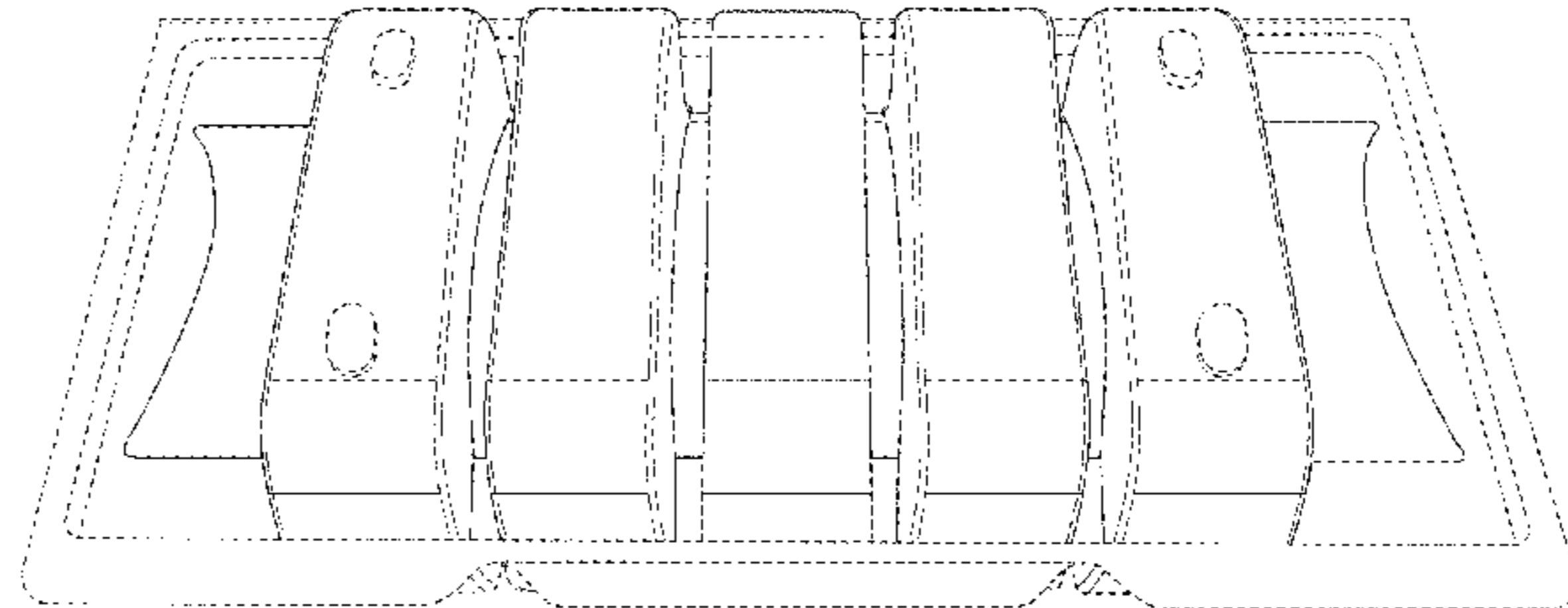
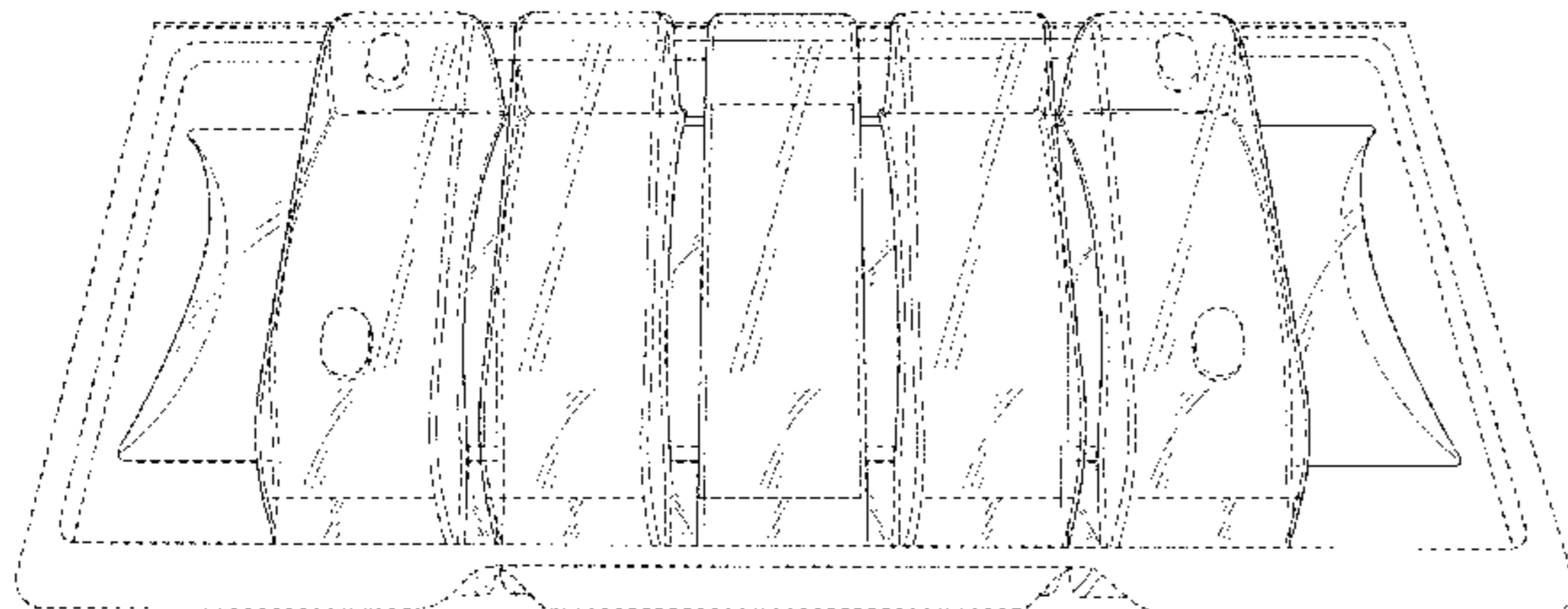
FIG. 12 is a left elevational view of the package shown in FIGS. 8, 9, 10, and 11.

FIG. 13 is a top plan view of the package shown in FIGS. 8, 9, 10, 11, and 12; and,

FIG. 14 is a bottom plan view of the package shown in FIGS. 8, 9, 10, 11, 12, and 13.

The broken lines shown illustrate portions of the package that form no part of the claimed design.

1 Claim, 10 Drawing Sheets



Related U.S. Application Data

division of application No. 29/525,736, filed on May 1, 2015, now Pat. No. Des. 801,193.

(58) **Field of Classification Search**

USPC D9/761; D7/672, 601, 550.1, 551.1, D7/551.2, 551.3, 552.1, 552.2, 553.1, D7/553.2, 553.3, 553.4, 553.5, 553.7, D7/553.8, 554.1, 554.3, 555, 557, 602, D7/629, 630, 538-542, 612-615, 584, D7/586, 587, 392.1, 709, 502, 608, 622, D7/701, 703, 543-549, 317-319, 391, D7/392, 396.2, 510, 511; D3/273, D3/201-206, 276, 283, 284, 295, 274, D3/302; 249/126, 134; 206/216, 217, 206/541-550, 518, 557, 558, 561, 564, 206/223, 467; 220/669-673, 675, 220/574-575, 573.1, 4.21, 660, 326, 236, 220/780-806, 4.24, 288, 260, 266, 306, 220/352, 356, 523, 23.8, 23.2, 23.83, 220/23.4, 662, 700, 701, 703, 711, 220/713-715, 719; 426/106; 229/107, 229/406, 120, 125.17; 215/211, 200, 224, 215/243

CPC A47G 19/065; A47G 19/02; B65B 5/026; B65D 1/34; B65D 1/33; B65D 21/00; B65D 21/0204

See application file for complete search history.

(56) **References Cited**

U.S. PATENT DOCUMENTS

3,948,455 A * 4/1976 Schwartz B65D 83/0847
242/594.2
D244,121 S * 4/1977 Schwartz D9/730

4,660,716 A * 4/1987 McMahon B65D 1/36
206/216
D311,302 S * 10/1990 Pozzi D7/502
5,232,094 A * 8/1993 Fagnant B65D 75/324
206/445
5,471,718 A * 12/1995 Harrill A61G 17/00
220/669
D409,947 S * 5/1999 Bongard D11/155
D423,344 S * 4/2000 Kumakura D9/415
D432,909 S * 10/2000 Pirro D9/415
D433,936 S * 11/2000 Pirro D9/415
D449,779 S * 10/2001 Otto D9/415
D450,239 S * 11/2001 Otto D9/415
D479,125 S * 9/2003 Kumakura D9/415
D479,126 S * 9/2003 Kumakura D9/415
D533,079 S * 12/2006 Berger D9/756
D588,934 S * 3/2009 Bailey D9/418
D616,250 S * 5/2010 Peyton D7/553.3
D641,656 S * 7/2011 Wardenburg D11/145
D651,450 S * 1/2012 Pallotto D7/368
D653,158 S * 1/2012 Wardenburg D11/145
8,584,881 B2 * 11/2013 Hernandez B65D 21/0223
206/521
D727,750 S * 4/2015 Murphy D9/759
D729,624 S * 5/2015 Carroll D9/456
D747,869 S * 1/2016 Priebe D3/203.3
D758,850 S * 6/2016 Dibnah D9/429
D762,294 S * 7/2016 Hanna D23/366
D801,193 S * 10/2017 Vorobej D9/756
D824,269 S * 7/2018 Vorobej D9/756
2004/0182740 A1 * 9/2004 Lechelle B65D 75/24
206/557
2005/0061709 A1 * 3/2005 Sieling B44D 2/002
206/575
2006/0273097 A1 * 12/2006 Taylor B65F 1/16
220/844
2016/0318682 A1 * 11/2016 Vorobej A45C 11/10

* cited by examiner

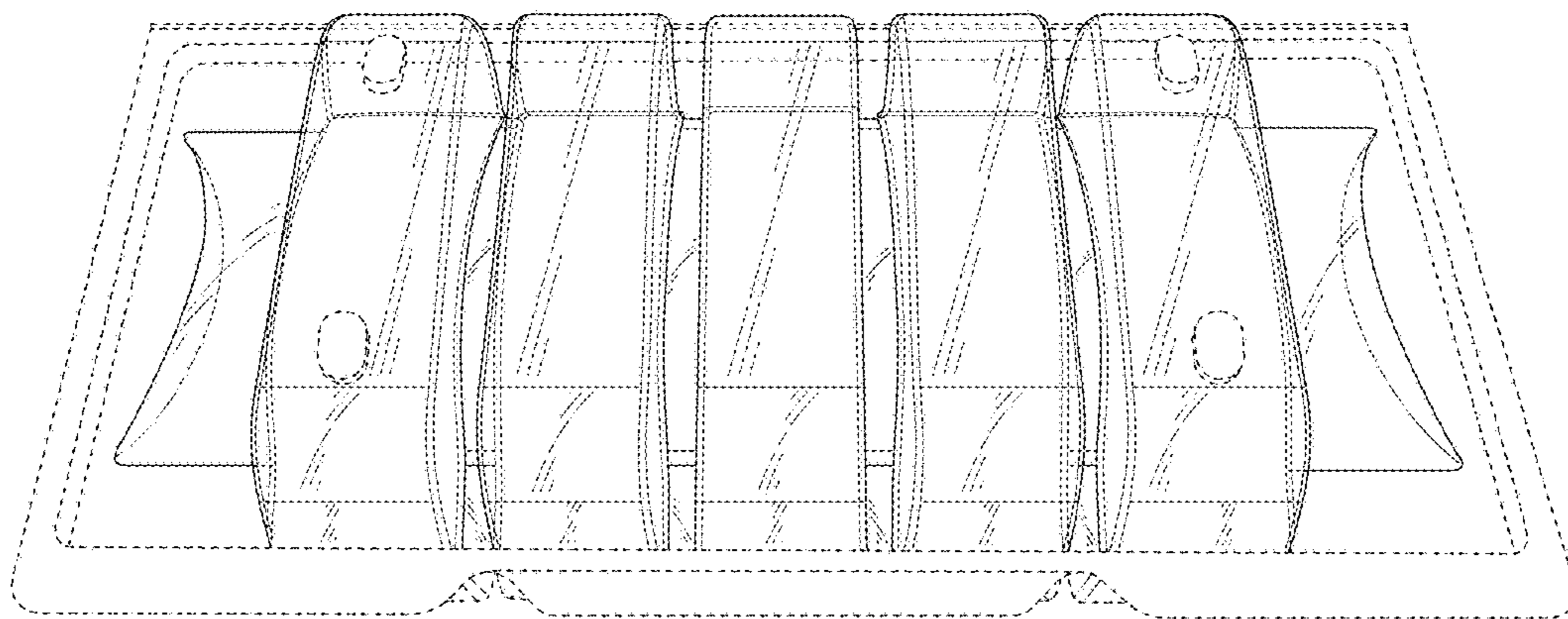


FIG. 1

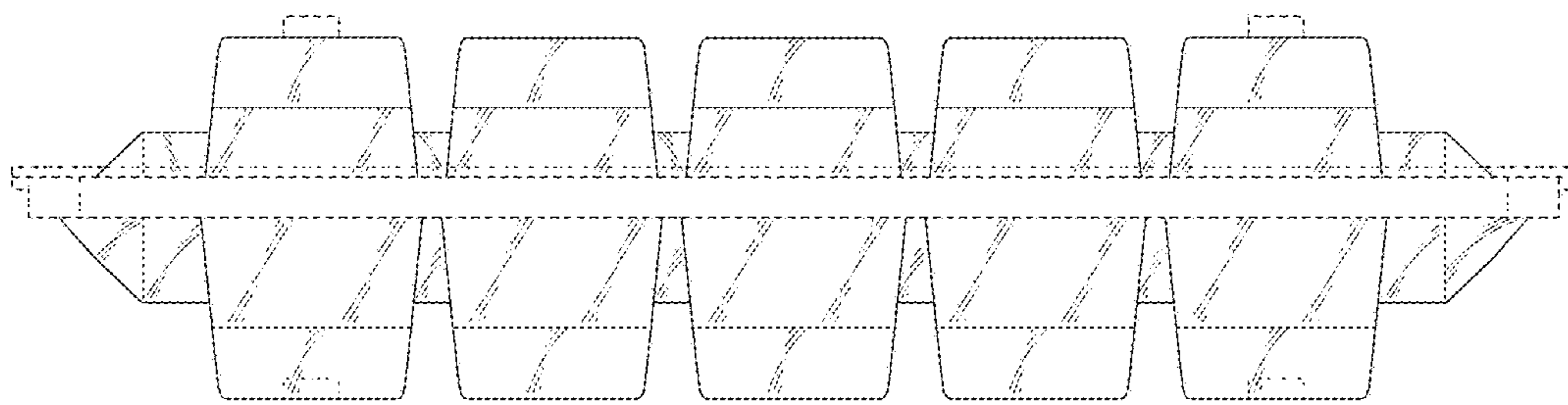


FIG. 2

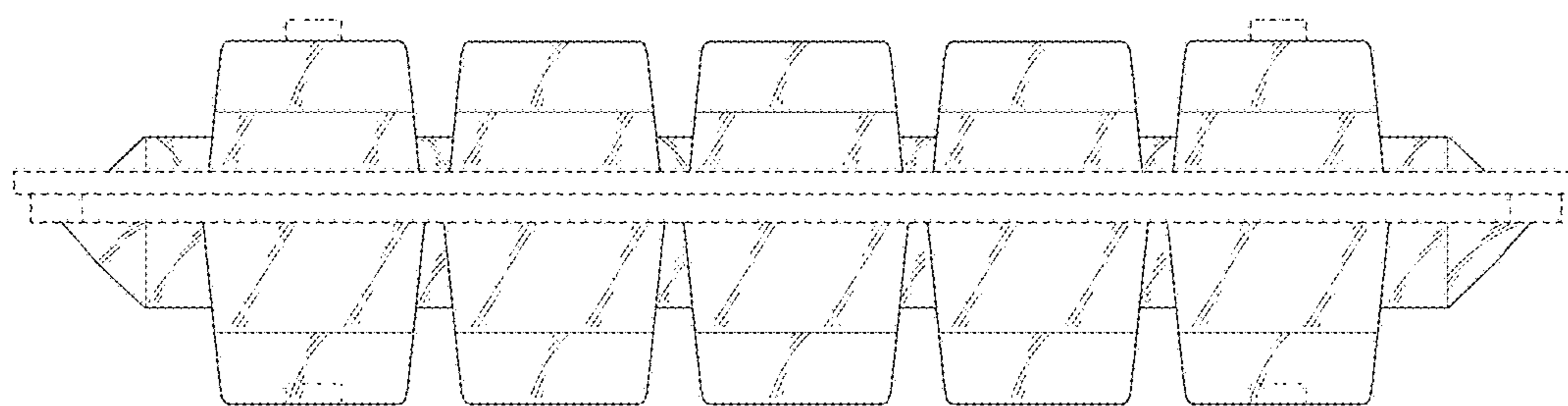


FIG. 3

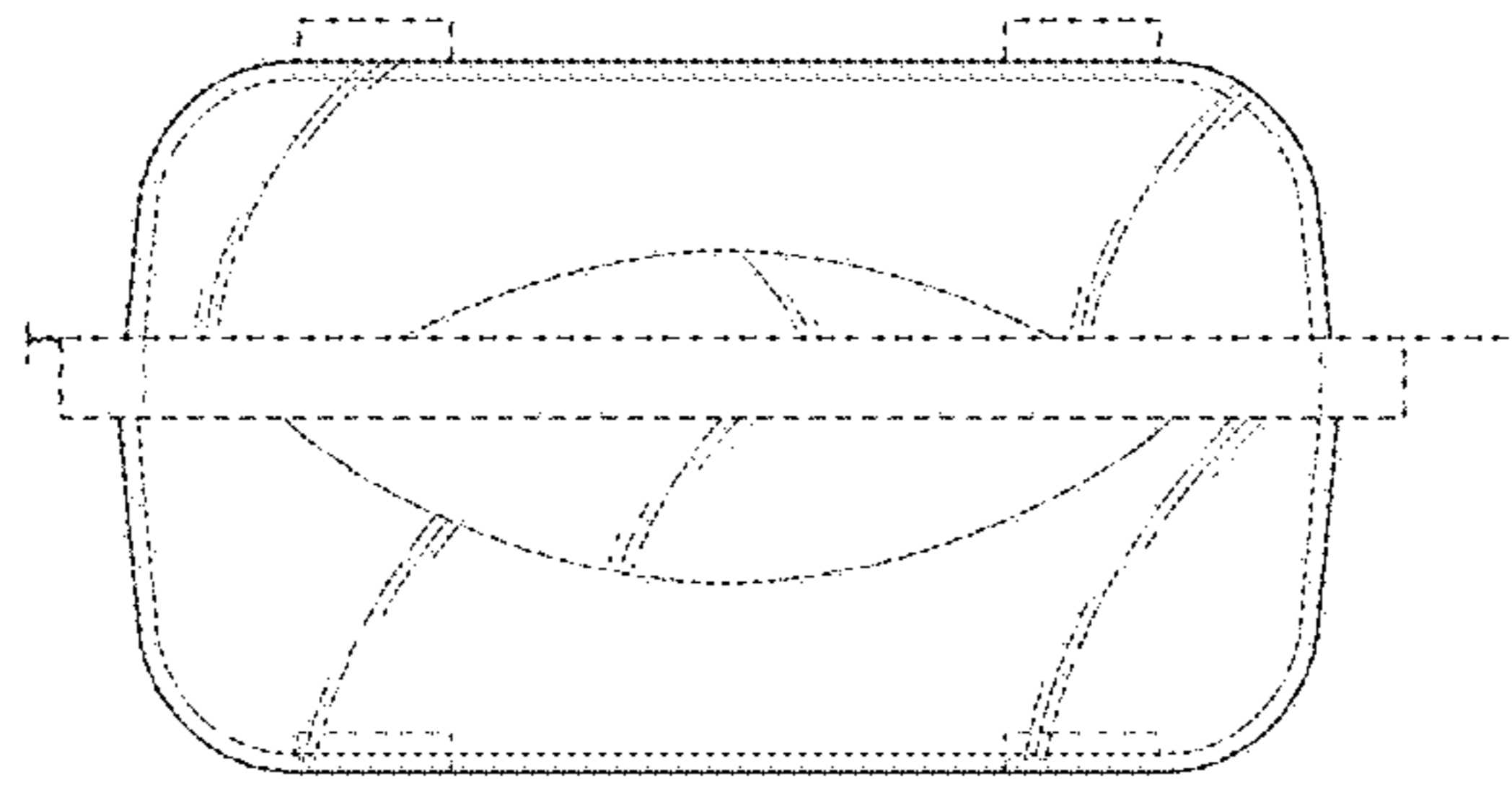


FIG. 4

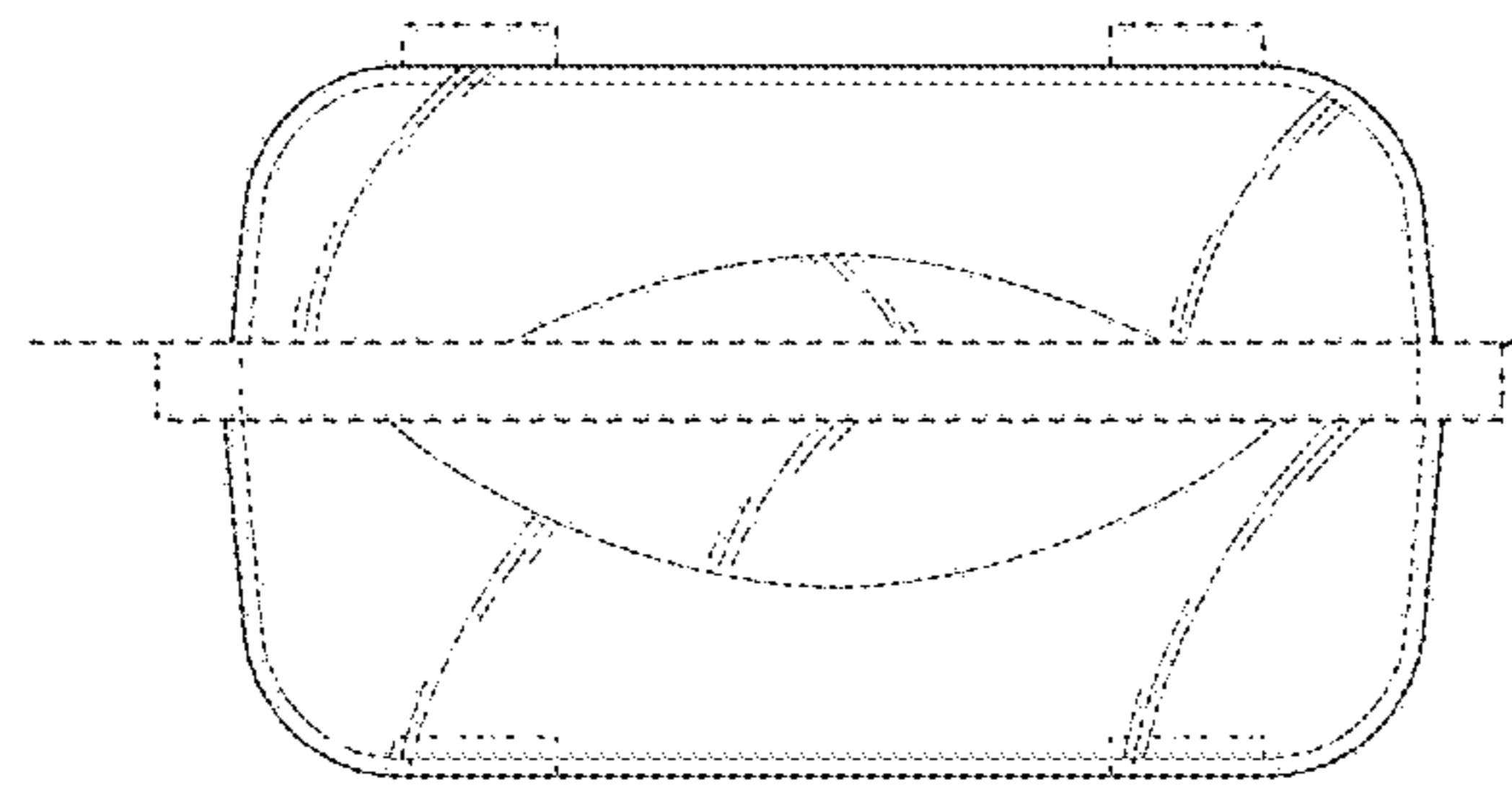


FIG. 5

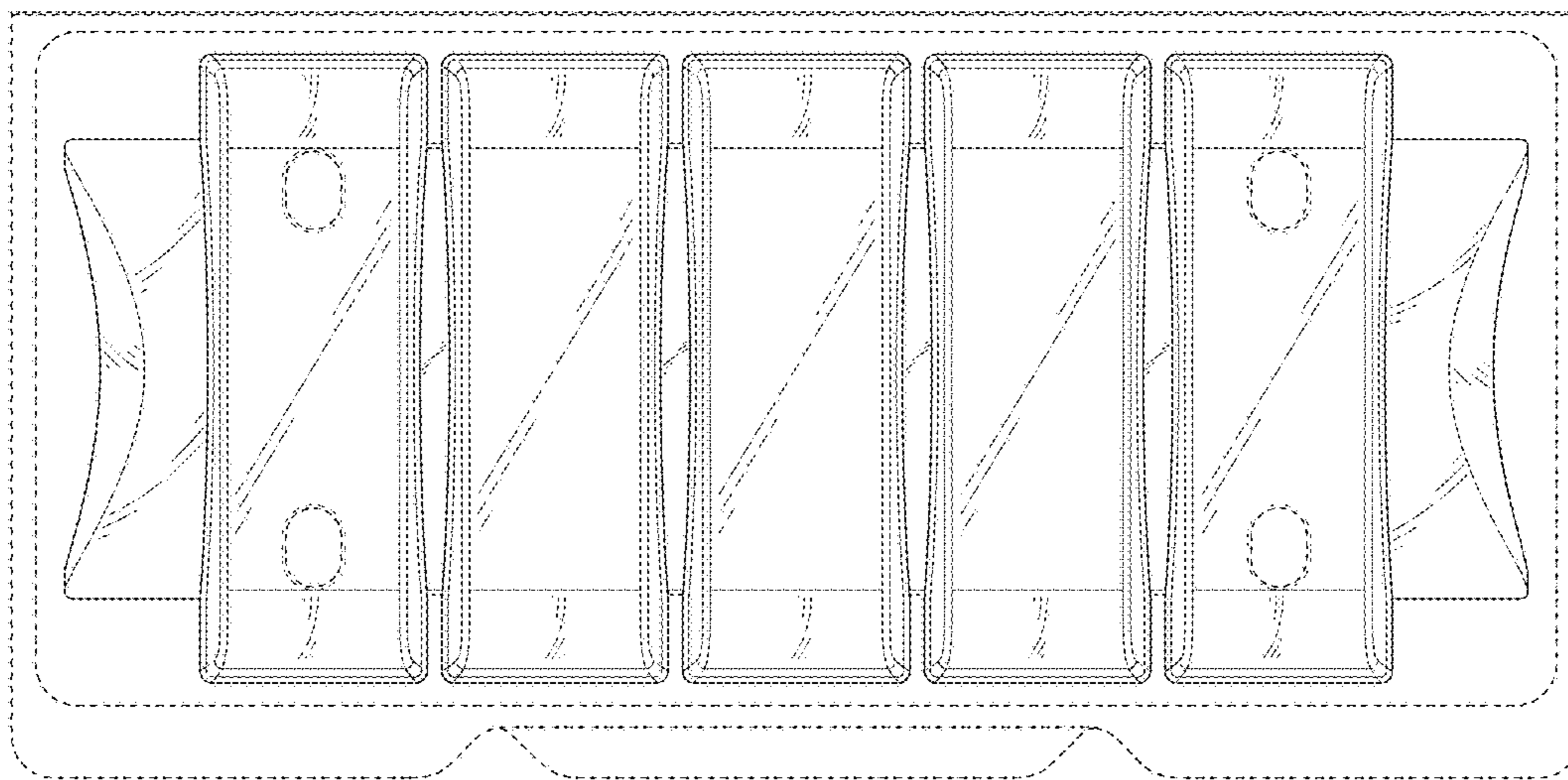


FIG. 6

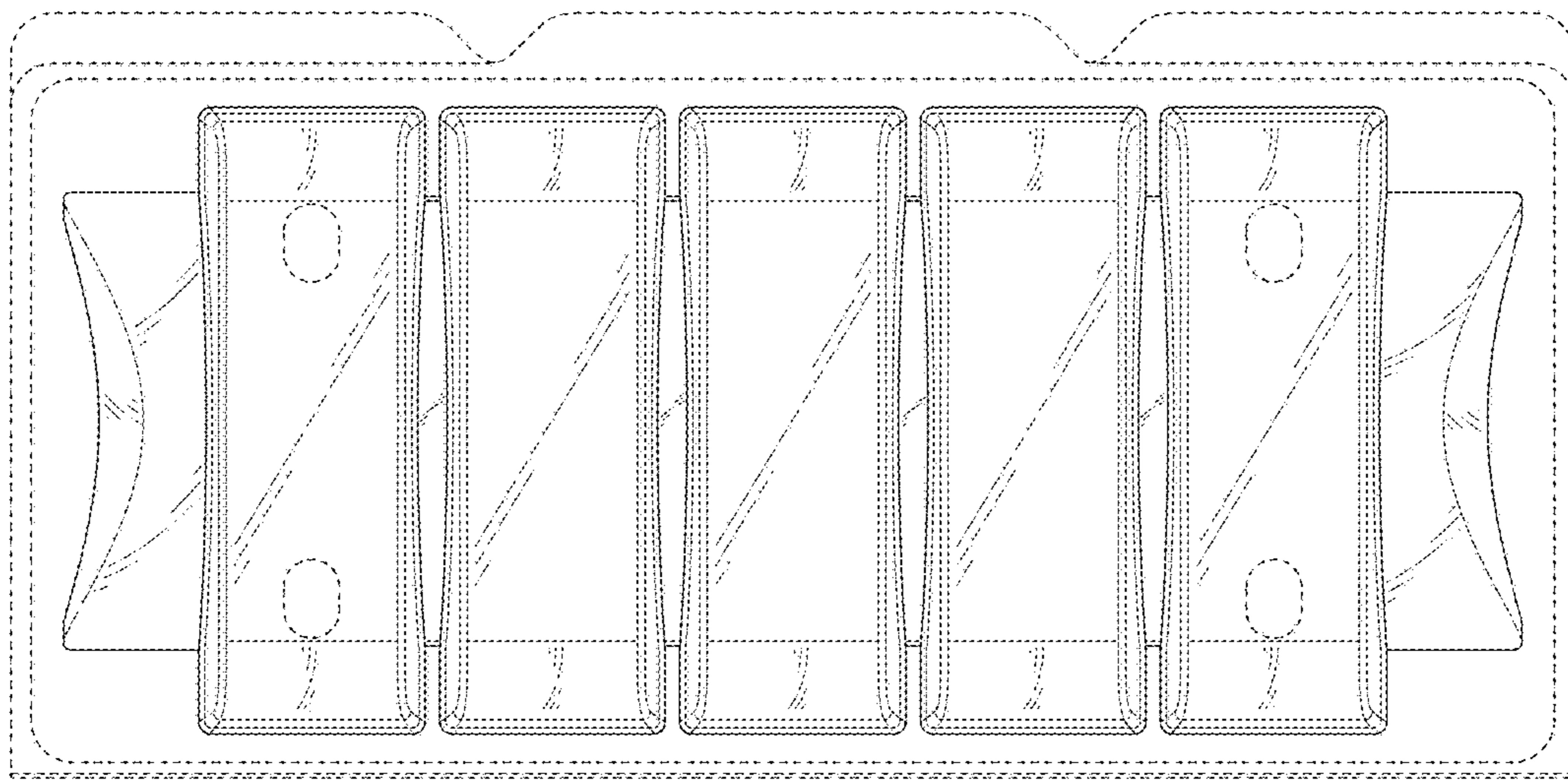


FIG. 7

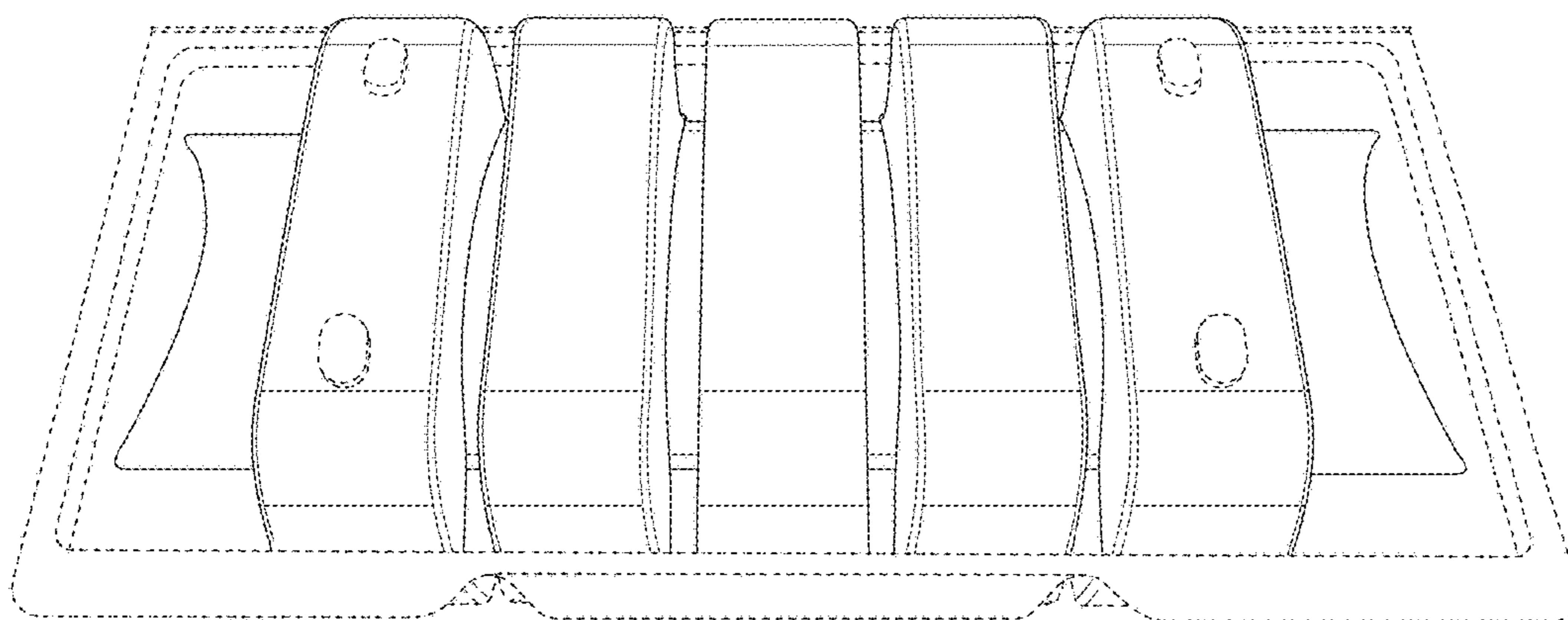


FIG. 8

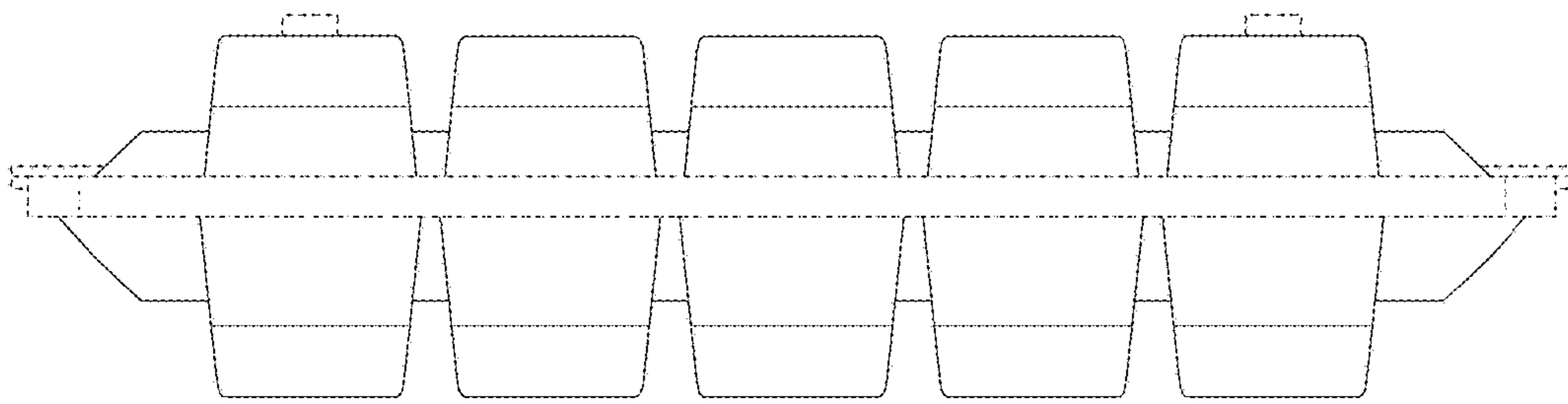


FIG. 9

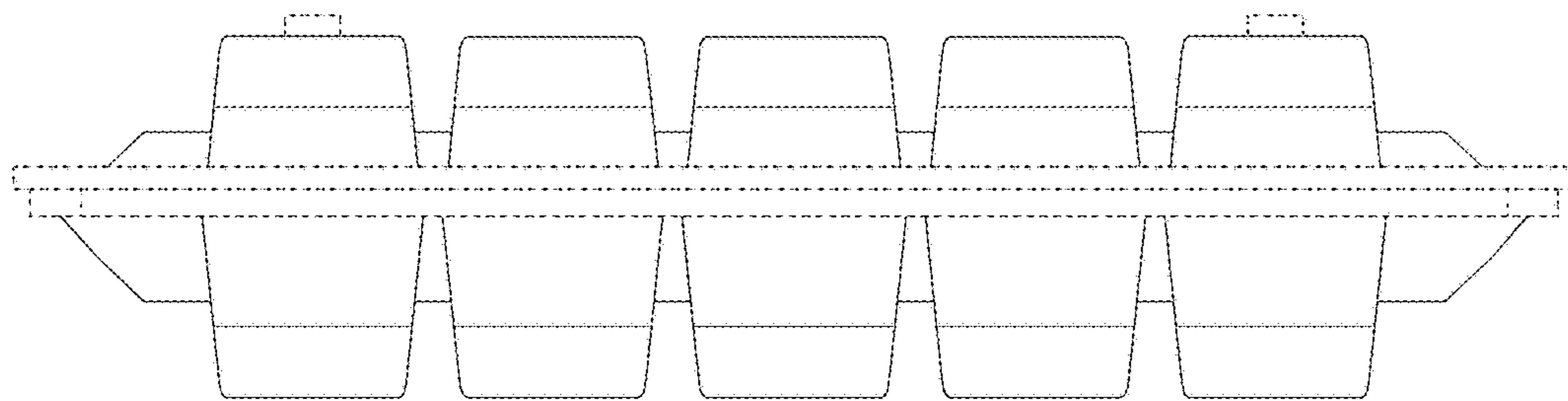


FIG. 10

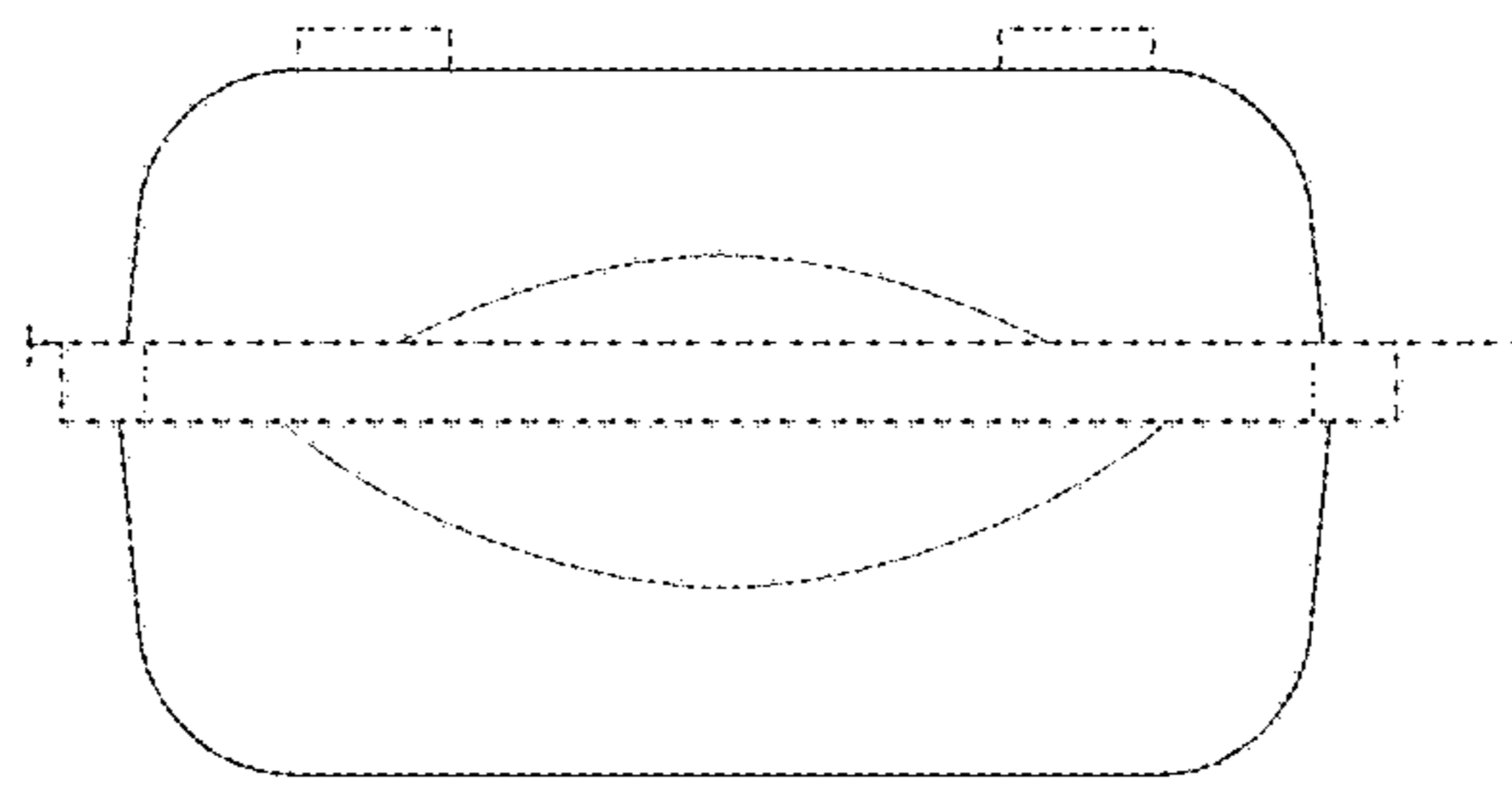


FIG. 11

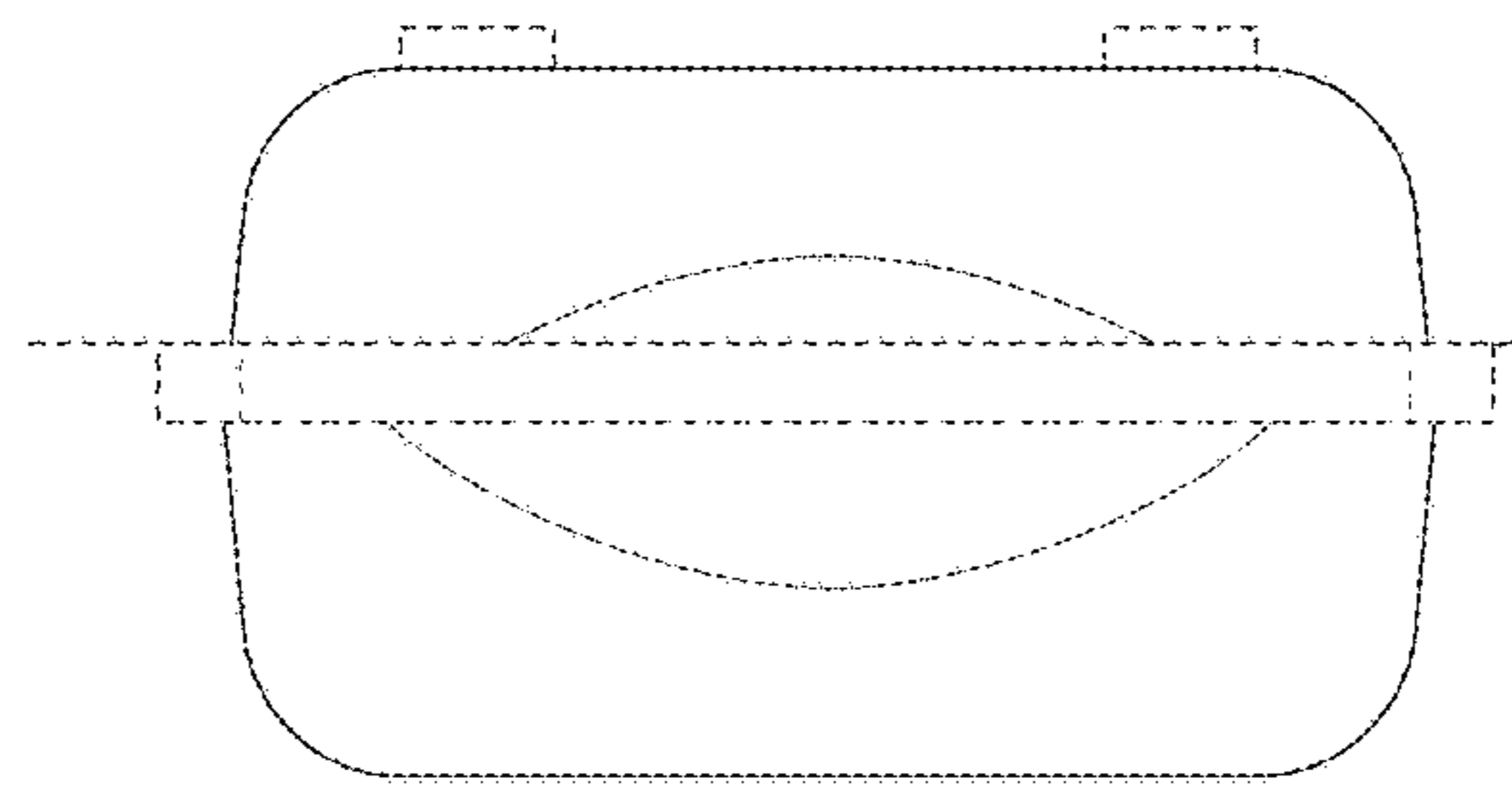


FIG. 12

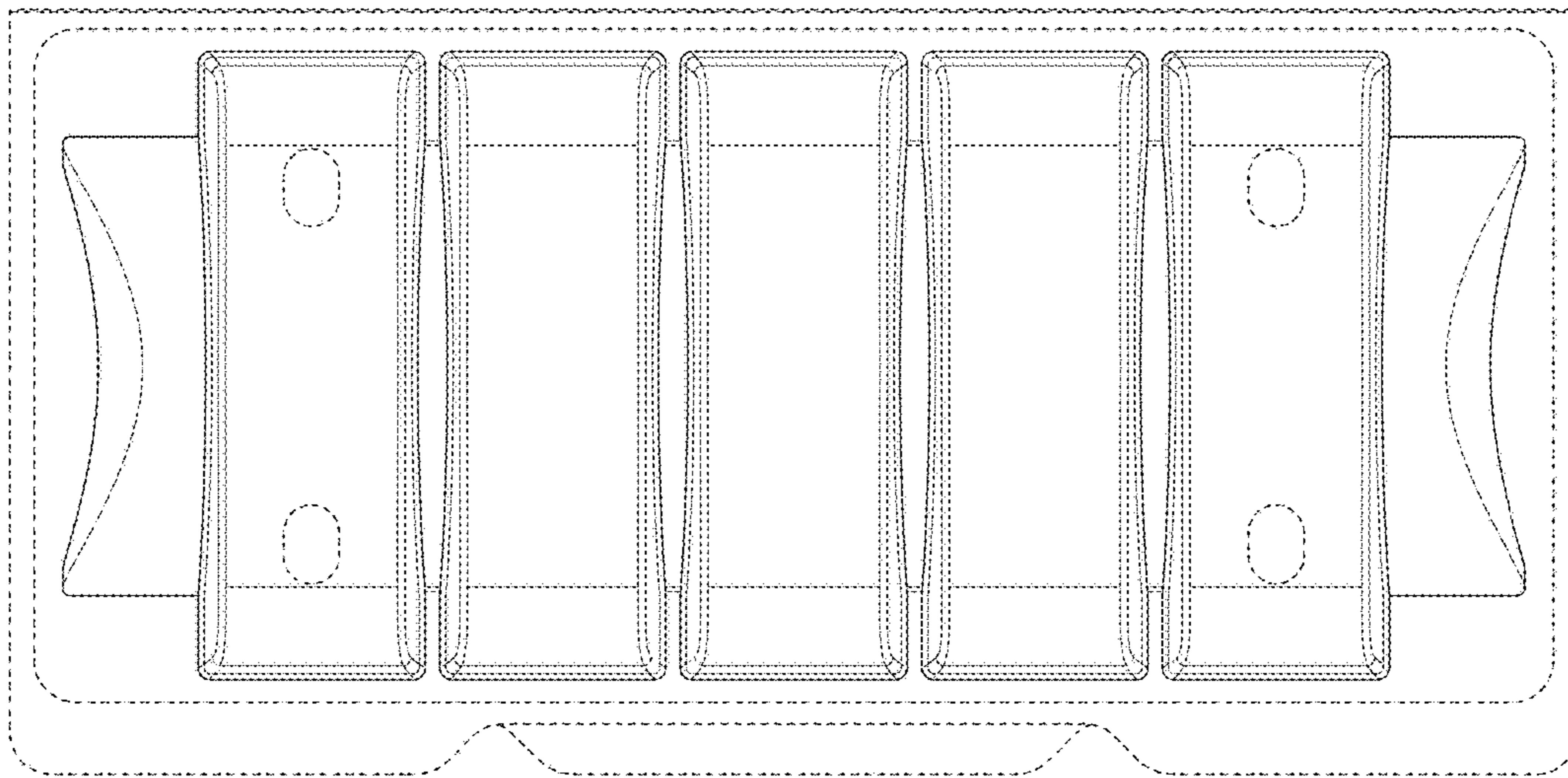


FIG. 13

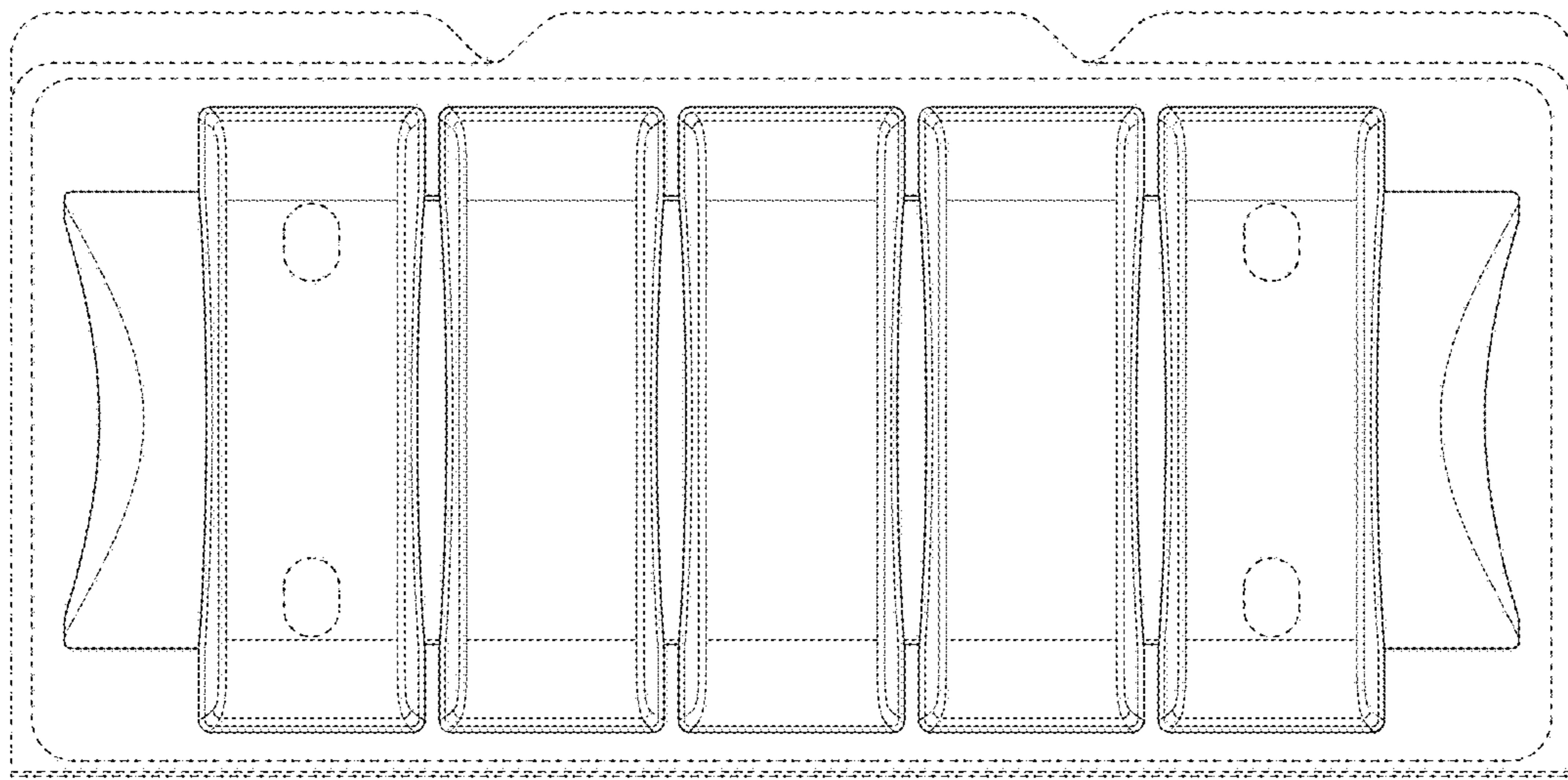


FIG. 14