



US00D855476S

(12) **United States Design Patent** (10) **Patent No.:** **US D855,476 S**
Aboabdo (45) **Date of Patent:** **** Aug. 6, 2019**

(54) **DISPENSING BOTTLE AND CAP IN COMBINATION**

dispensor/dp/B071SGRSPX/ref=sr_1_18sspa?ie=UTF8&qid=1505927843&sr=8-18-spons&keywords=chubby+gorilla+unic.

(Continued)

(71) Applicant: **Chubby Gorilla, Inc.**, Santa Fe Springs, CA (US)

Primary Examiner — Barbara Fox

(72) Inventor: **Eyad Aboabdo**, Fullerton, CA (US)

Assistant Examiner — Mary Shannon Malley

(73) Assignee: **Chubby Gorilla, Inc.**, Santa Fe Springs, CA (US)

(74) *Attorney, Agent, or Firm* — Knobbe Martens Olson & Bear LLP

(**) Term: **15 Years**

(57) **CLAIM**

The ornamental design for a dispensing bottle and cap in combination, as shown and described.

(21) Appl. No.: **29/655,623**

DESCRIPTION

(22) Filed: **Jul. 5, 2018**

Related U.S. Application Data

(63) Continuation of application No. 29/573,527, filed on Aug. 6, 2016, now Pat. No. Des. 834,950.

(51) **LOC (12) Cl.** **09-01**

(52) **U.S. Cl.**
USPC **D9/724**; D9/558; D9/453

(58) **Field of Classification Search**
USPC D9/434, 435, 444–445, 449, 452–454, D9/500–505, 516, 519, 521–526,
(Continued)

(56) **References Cited**

U.S. PATENT DOCUMENTS

D199,545 S * 11/1964 Torongo D24/110
3,398,848 A 8/1968 Donovan

(Continued)

OTHER PUBLICATIONS

Cycles of Use PET dropper Bottle Unicorn Dropper bottle, posted at amazon.com, posted Jun. 11, 2017, © 1996-2017, Amazon.com [online], [site visited Sep. 20, 2017], Available from Internet, URL:https://www.amazon.com/dropper-Unicorn-Dropper-applicator-

FIG. 1 is a perspective view of a first embodiment of a dispensing bottle and cap in combination according to the present invention.

FIG. 2 is an elevation view thereof.

FIG. 3 is a top plan view thereof.

FIG. 4 is a bottom plan view thereof.

FIG. 5 is a perspective view of a second embodiment of a dispensing bottle and cap in combination according to the present invention.

FIG. 6 is an elevation view thereof.

FIG. 7 is a top plan view thereof.

FIG. 8 is a bottom plan view thereof.

FIG. 9 is a perspective view of a third embodiment of a dispensing bottle and cap in combination according to the present invention.

FIG. 10 is an elevation view thereof.

FIG. 11 is a top plan view thereof.

FIG. 12 is a bottom plan view thereof.

FIG. 13 is a perspective view of a fourth embodiment of a dispensing bottle and cap in combination according to the present invention.

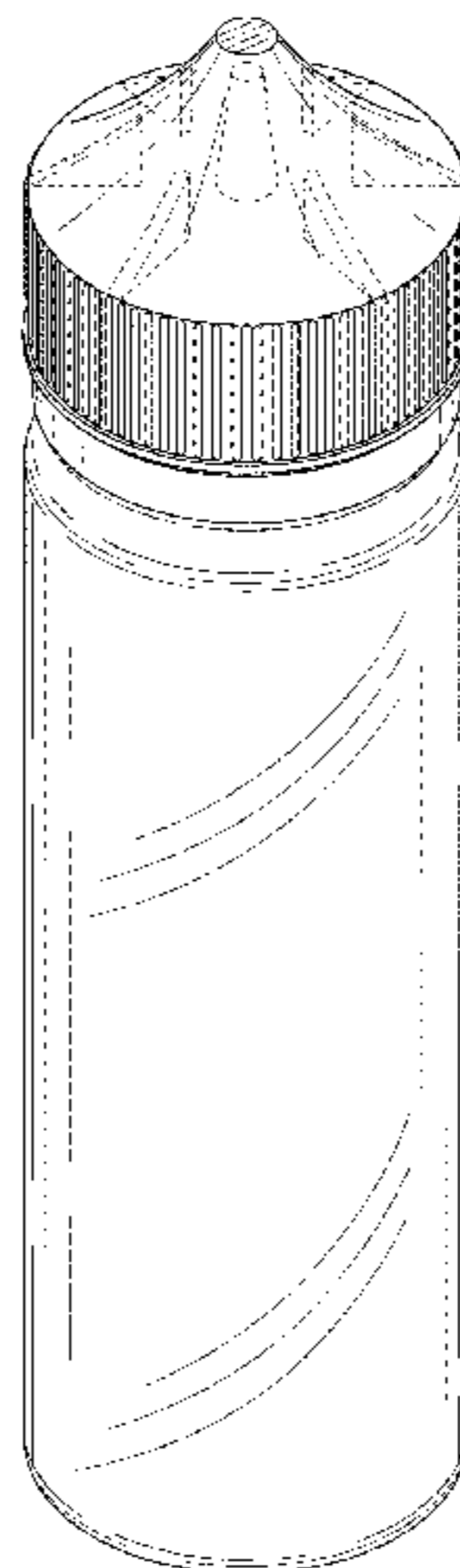
FIG. 14 is an elevation view thereof.

FIG. 15 is a top plan view thereof; and,

FIG. 16 is a bottom plan view thereof.

The broken lines show portions of the dispensing bottle and cap in combination that form no part of the claimed design.

1 Claim, 8 Drawing Sheets



(58) **Field of Classification Search**

USPC D9/529-530, 535, 537-546, 548-575,
 D9/682-694, 723-729; D7/300, 598;
 215/379, 381-385; 220/660, 662,
 220/669-673, 675
 CPC B65D 1/0223; B65D 2501/0036; B65D
 79/005; B65D 23/102; B65D 2501/0027;
 B65D 23/0814; B65D 1/0233; B65D
 1/095; B65D 2251/023; B65D 2255/20;
 B65D 41/0485; B65D 47/122; B65C 3/08
 See application file for complete search history.

(56) **References Cited**

U.S. PATENT DOCUMENTS

D259,172 S * 5/1981 Ross D9/529
 D264,938 S 6/1982 Stock
 D264,939 S 6/1982 Stock
 D264,940 S 6/1982 Stock
 D264,941 S 6/1982 Stock
 4,371,088 A 2/1983 Gach
 D277,736 S 2/1985 Long
 D279,080 S 6/1985 Negishi
 4,632,264 A 12/1986 Evans
 4,635,806 A 1/1987 Williamson
 4,705,181 A 11/1987 Burke et al.
 D310,969 S 10/1990 Butler
 5,020,681 A 6/1991 Kusz
 5,115,928 A 5/1992 Drummond, Jr.
 5,314,085 A * 5/1994 Collado Bonet .. B65D 41/3447
 215/252
 5,324,481 A 6/1994 Dunn et al.
 D354,914 S 1/1995 Newman
 D356,597 S 3/1995 Gray
 D357,865 S * 5/1995 Hansen D9/453
 D362,623 S * 9/1995 Ma D9/443
 5,543,115 A 8/1996 Karakawa

5,676,268 A 10/1997 King
 D411,109 S * 6/1999 Suto D9/550
 D412,107 S 7/1999 Bosshardt
 D416,793 S 11/1999 Faughey
 6,202,869 B1 3/2001 Sullivan
 D451,396 S * 12/2001 Johnson D9/530
 D491,469 S 6/2004 Horie
 7,334,694 B2 2/2008 Suffa
 D564,357 S * 3/2008 Kapoor D9/503
 D603,710 S 11/2009 Wilson et al.
 D651,921 S 1/2012 Probst
 8,633,016 B2 1/2014 Parker
 8,673,242 B2 3/2014 Shick
 D704,052 S 5/2014 Yoshii et al.
 D732,400 S 6/2015 Hua
 D732,975 S * 6/2015 Hua D9/724
 9,045,265 B2 6/2015 Adamczak
 D768,506 S 10/2016 Hua
 D826,068 S * 8/2018 Aboabdo D9/724
 D834,950 S * 12/2018 Aboabdo D9/724
 2003/0211616 A1 11/2003 Leong
 2007/0042454 A1 2/2007 Nix
 2010/0167271 A1 * 7/2010 Ryan G01N 33/56972
 435/5
 2011/0281342 A1 * 11/2011 Porsch A61B 5/14532
 435/287.1
 2017/0057710 A1 3/2017 Greiner-Perth et al.

OTHER PUBLICATIONS

Chubby Gorilla PET Bottles (3-Pack), posted at amazon.com, posted Jan. 31, 2017, © 1996-2017, Amazon.com,[online], [site visited Sep. 20, 2017]. Available from Internet, URL:https://www.amazon.com/Chubby-Gorilla-Bottles-3-Pack-Transparent/dp/B071HCL64L/ref=pd_sbs_201_1?_encoding=UTF8&pd_rd_i=B071HCL64L&pd_rd_r=EE8F90Zd7DBQEXF5PEVF&pd_rd_w=olTEN&pd_rd_wg=ko.

* cited by examiner

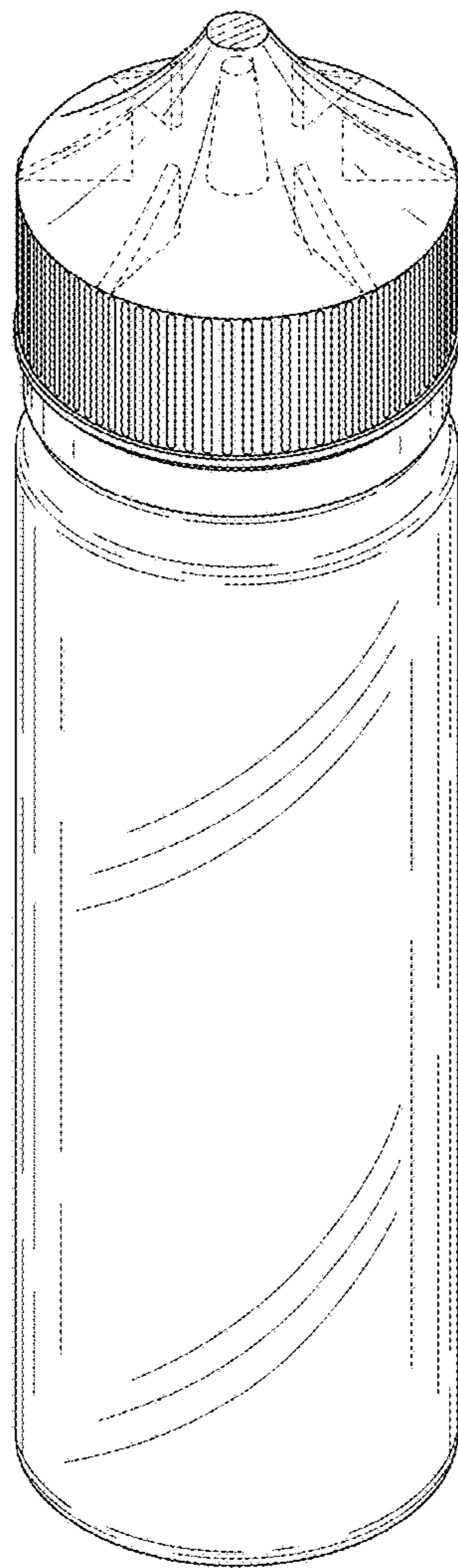


FIG. 1

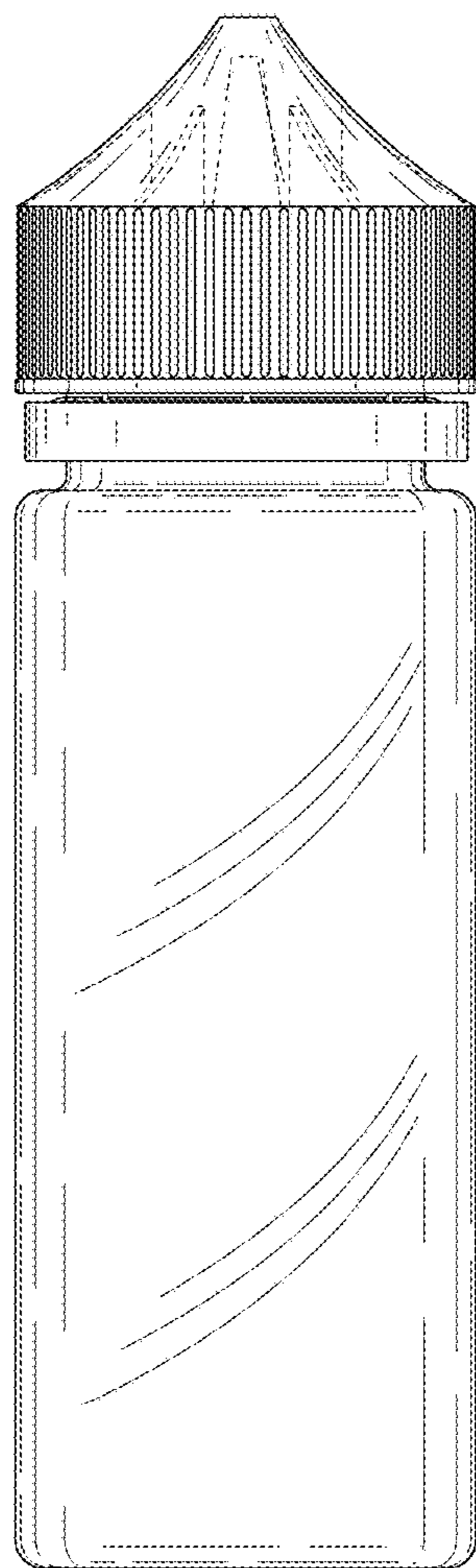


FIG. 2

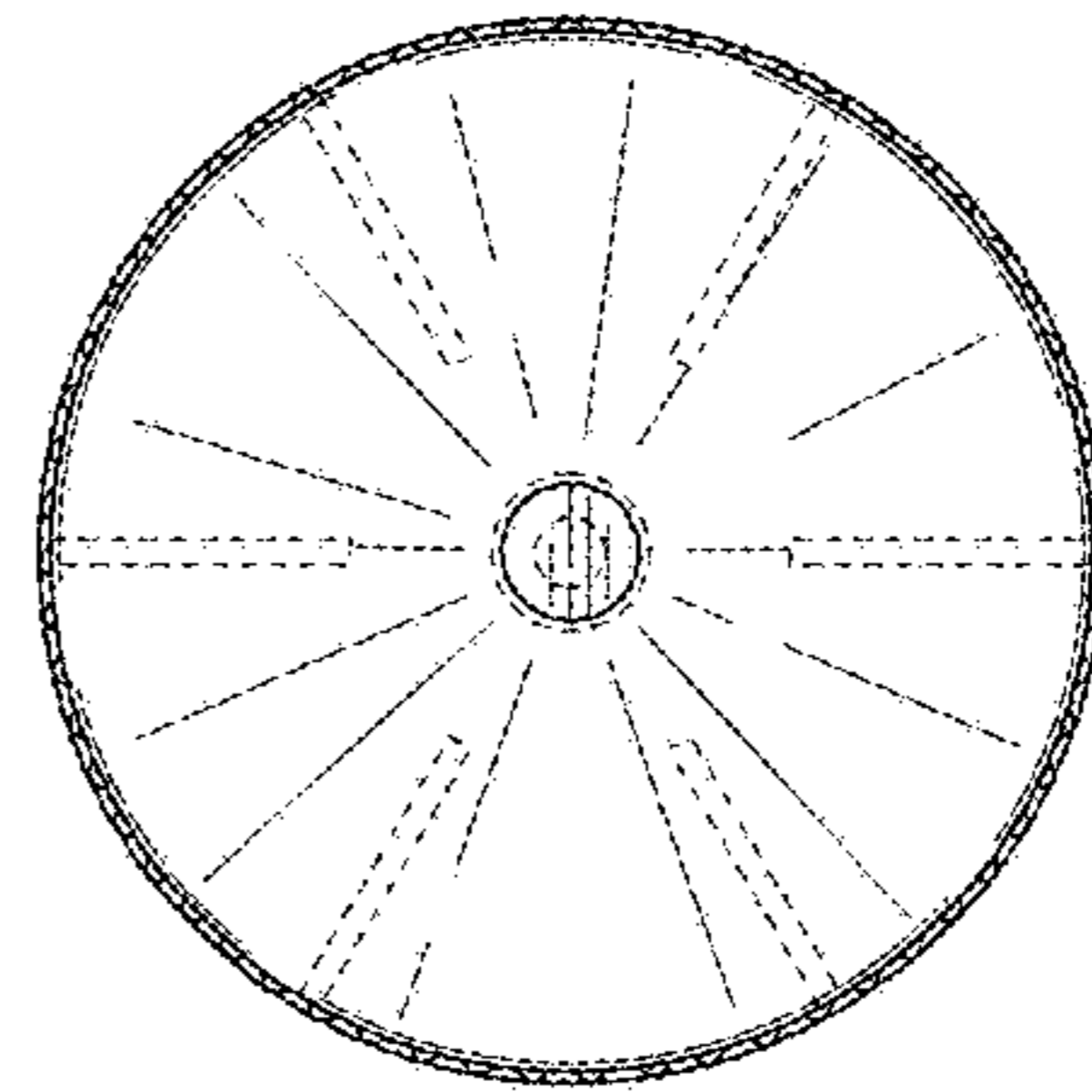


FIG. 3

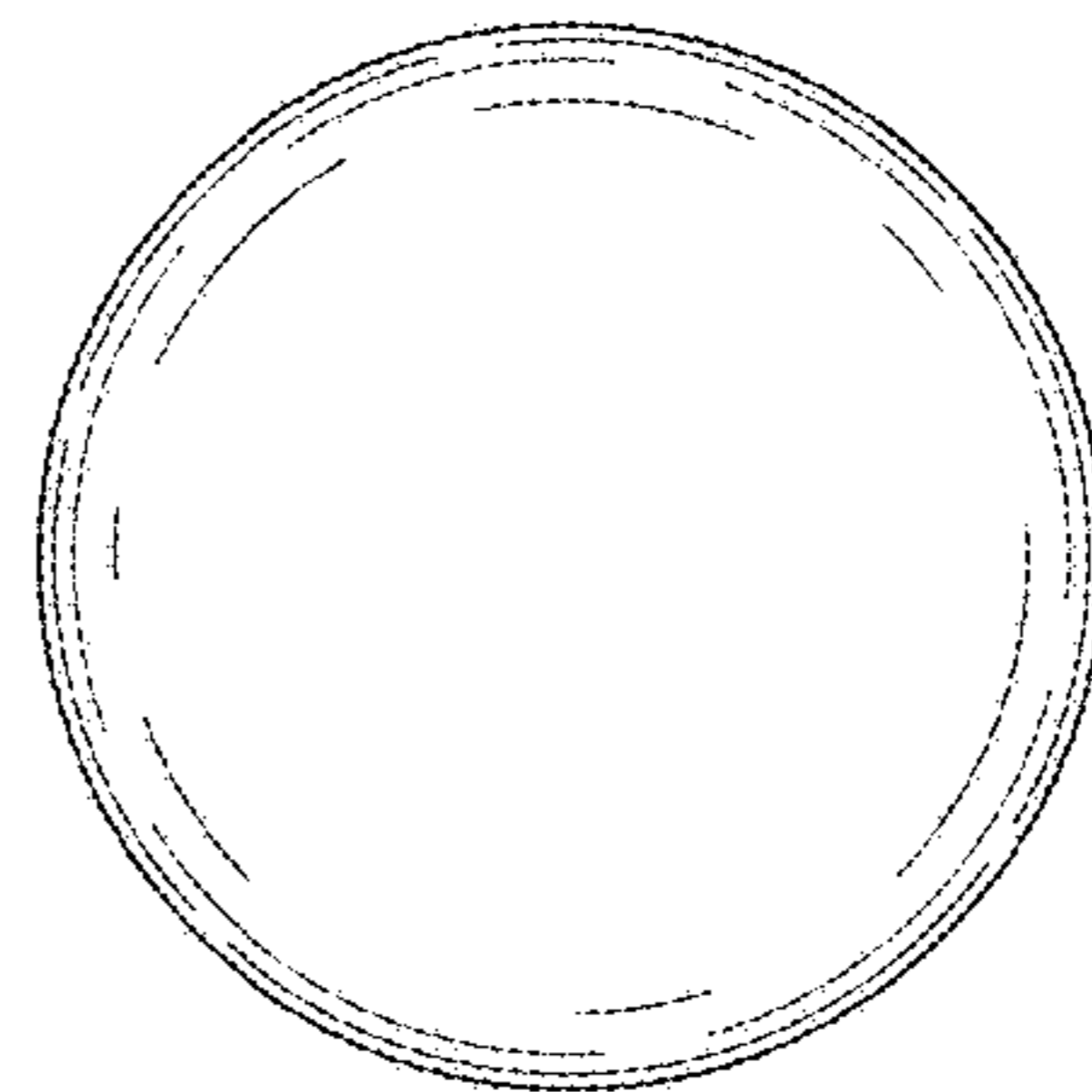


FIG. 4

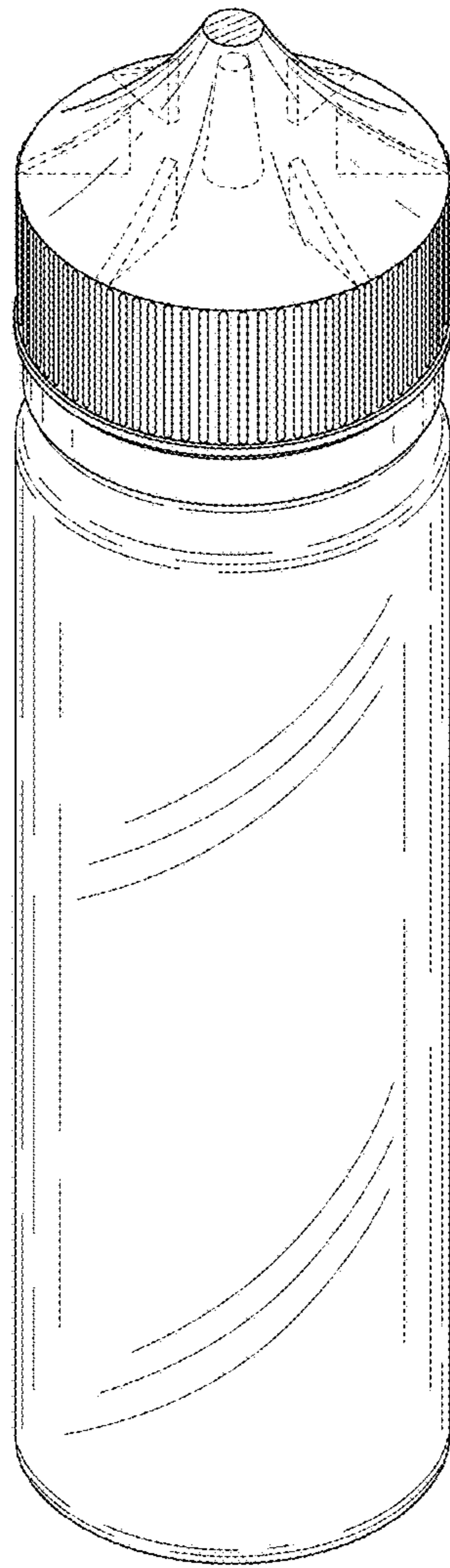


FIG. 5

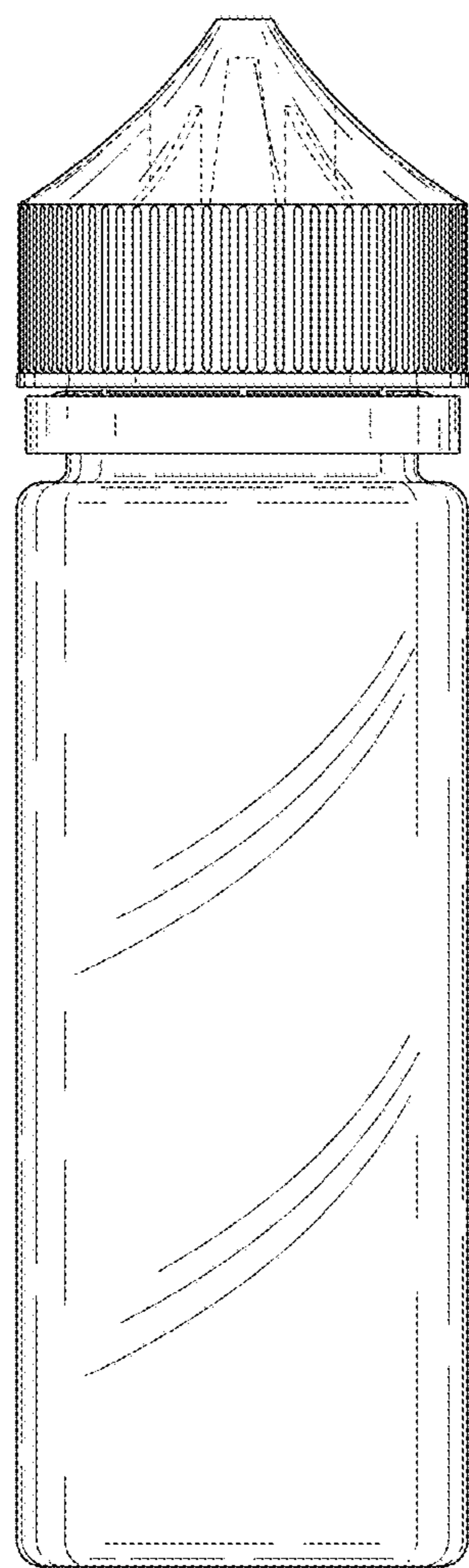


FIG. 6

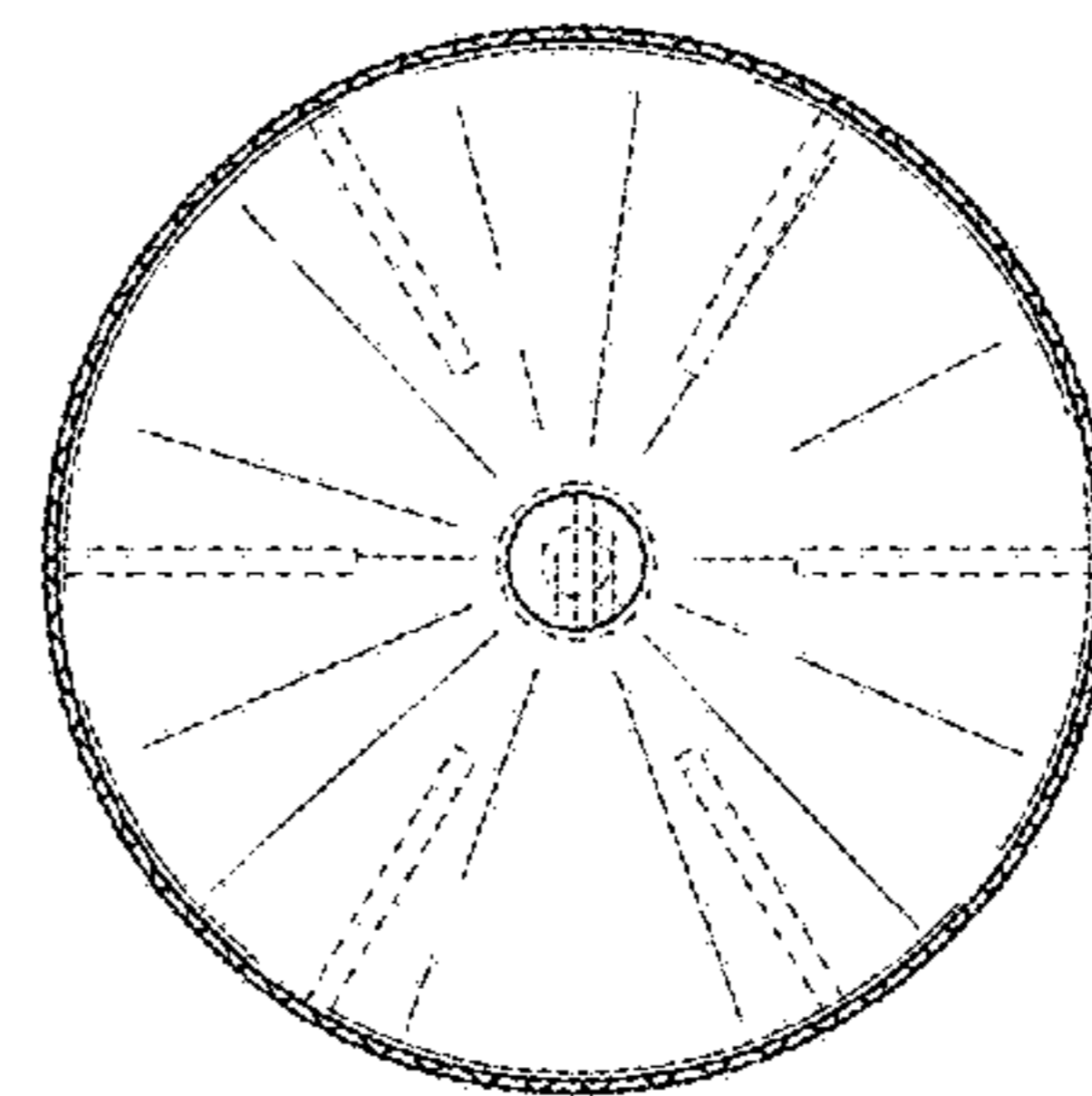


FIG. 7

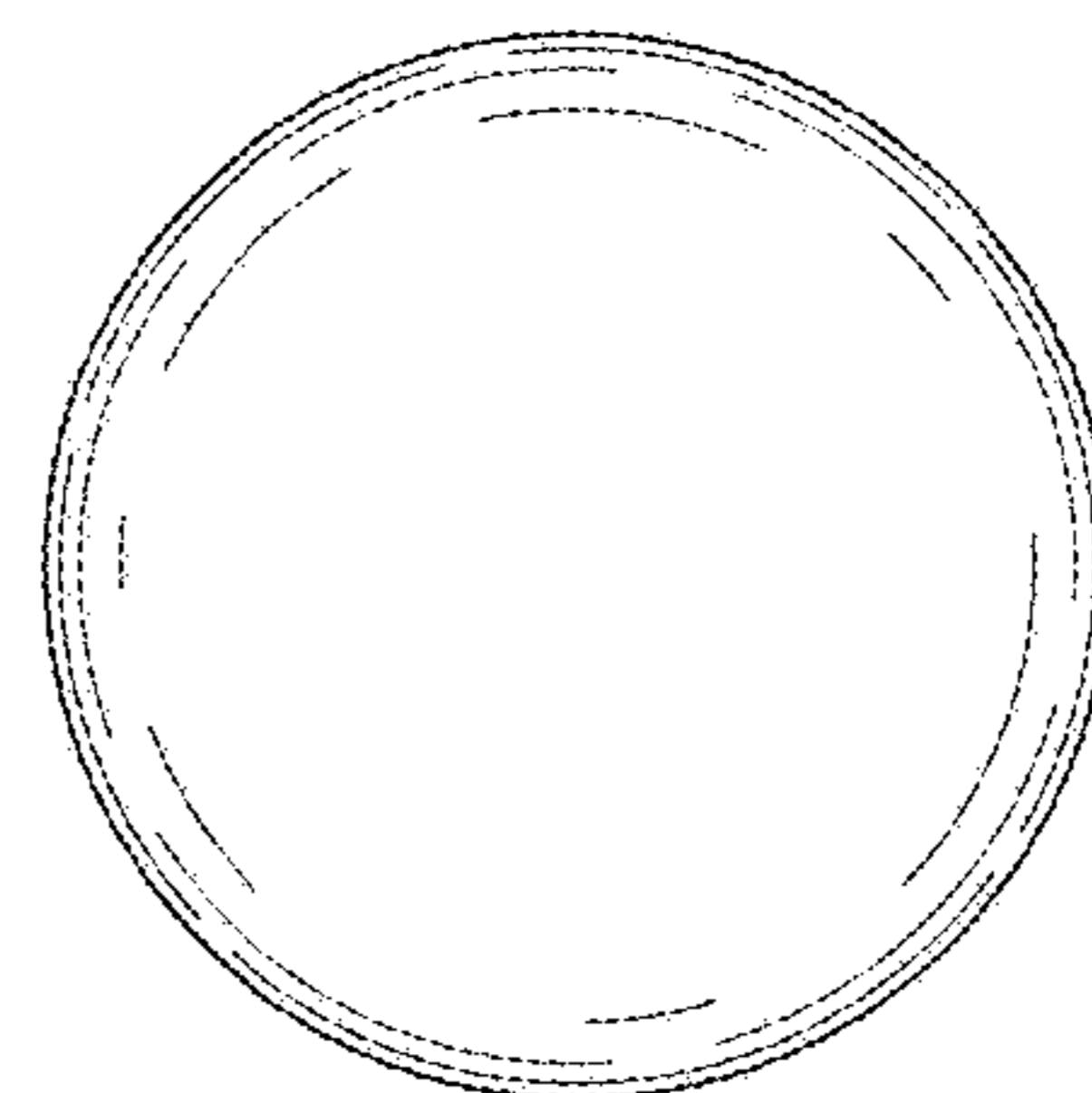


FIG. 8

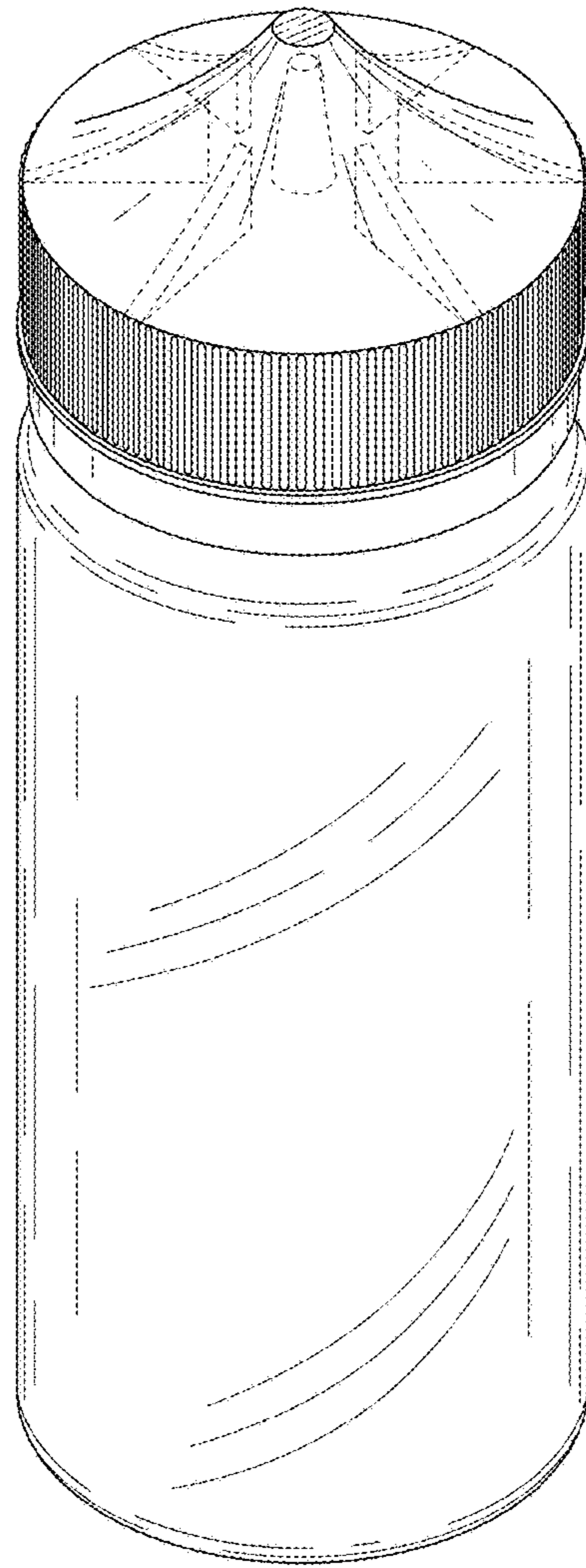


FIG. 9

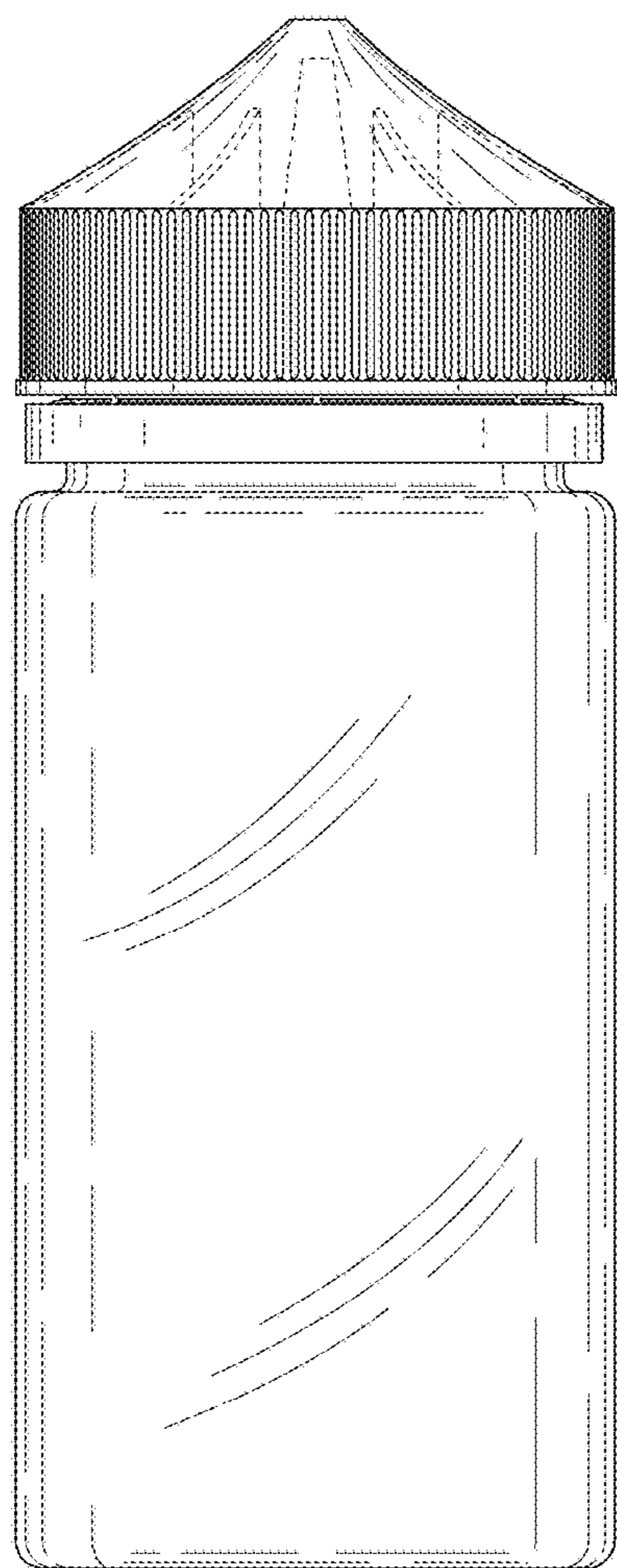


FIG. 10

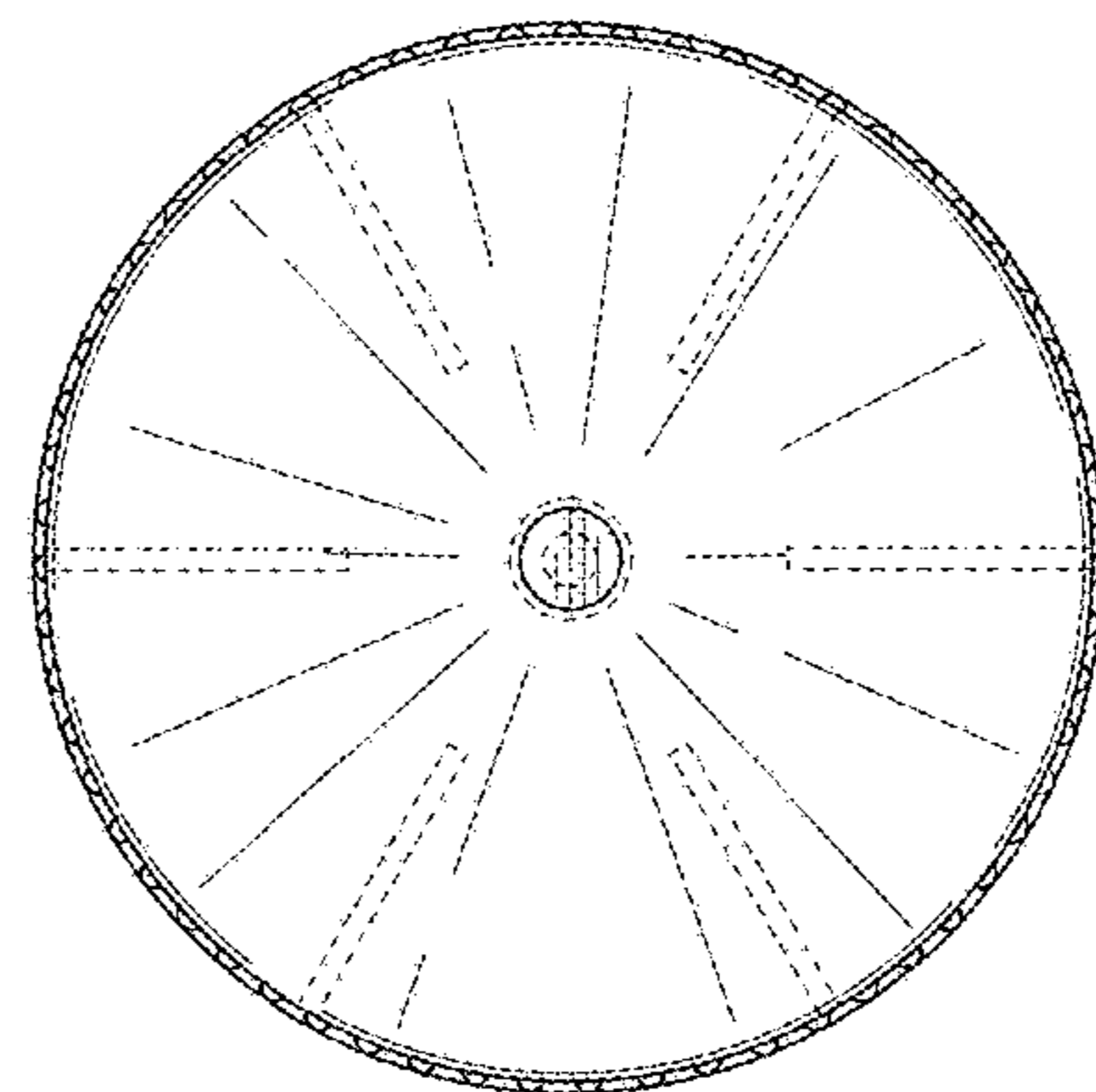


FIG. 11

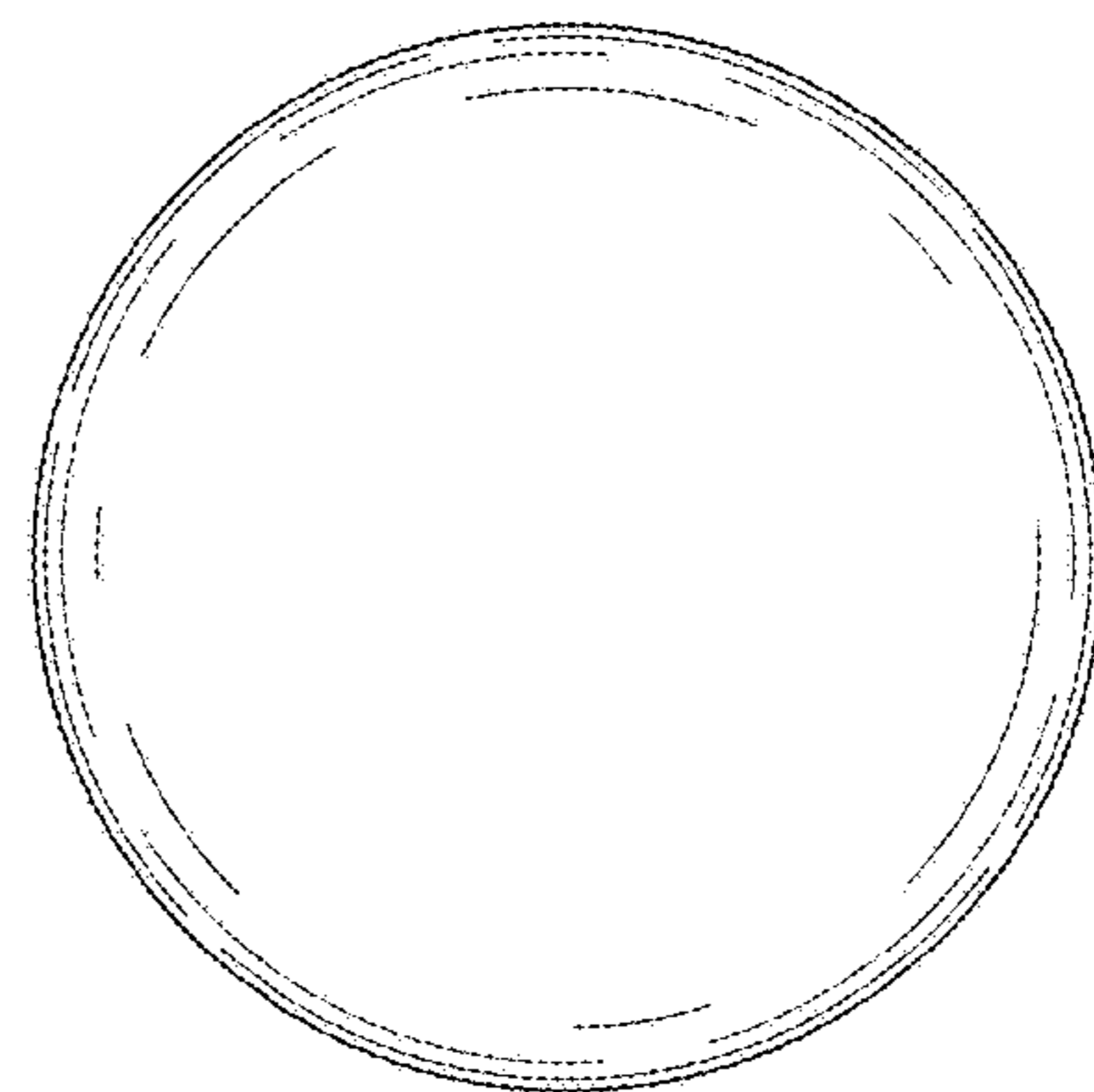


FIG. 12

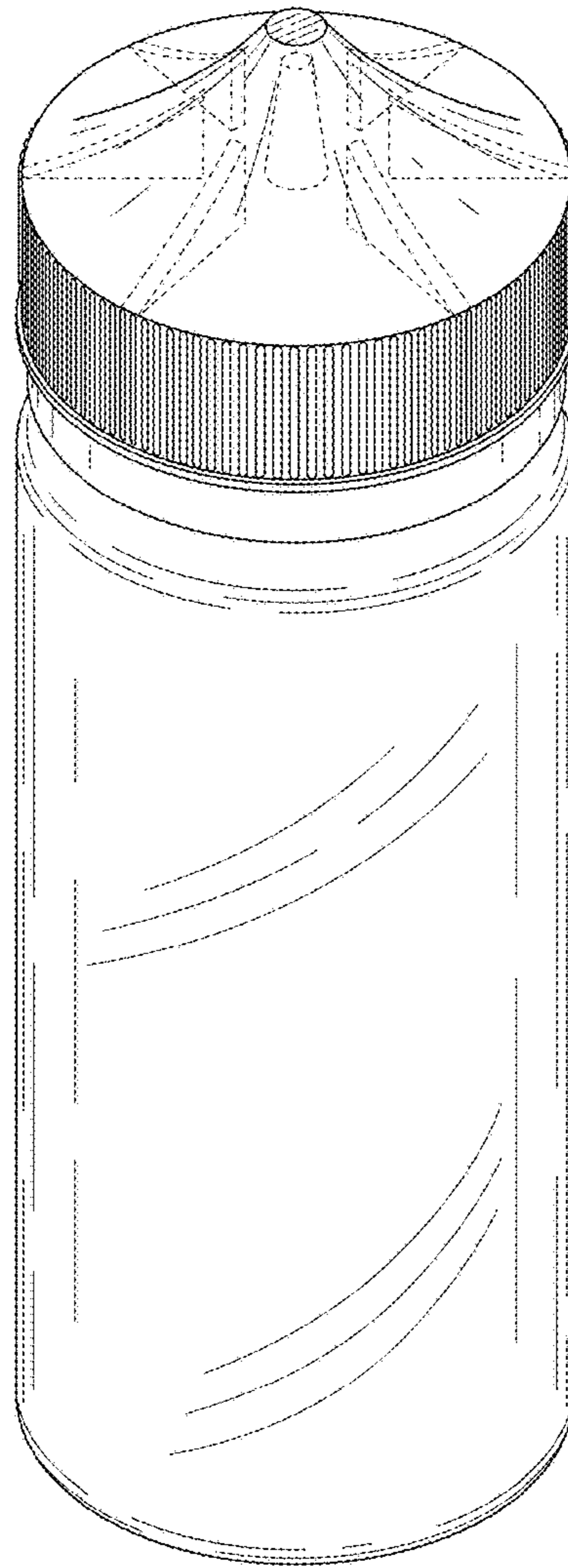


FIG. 13

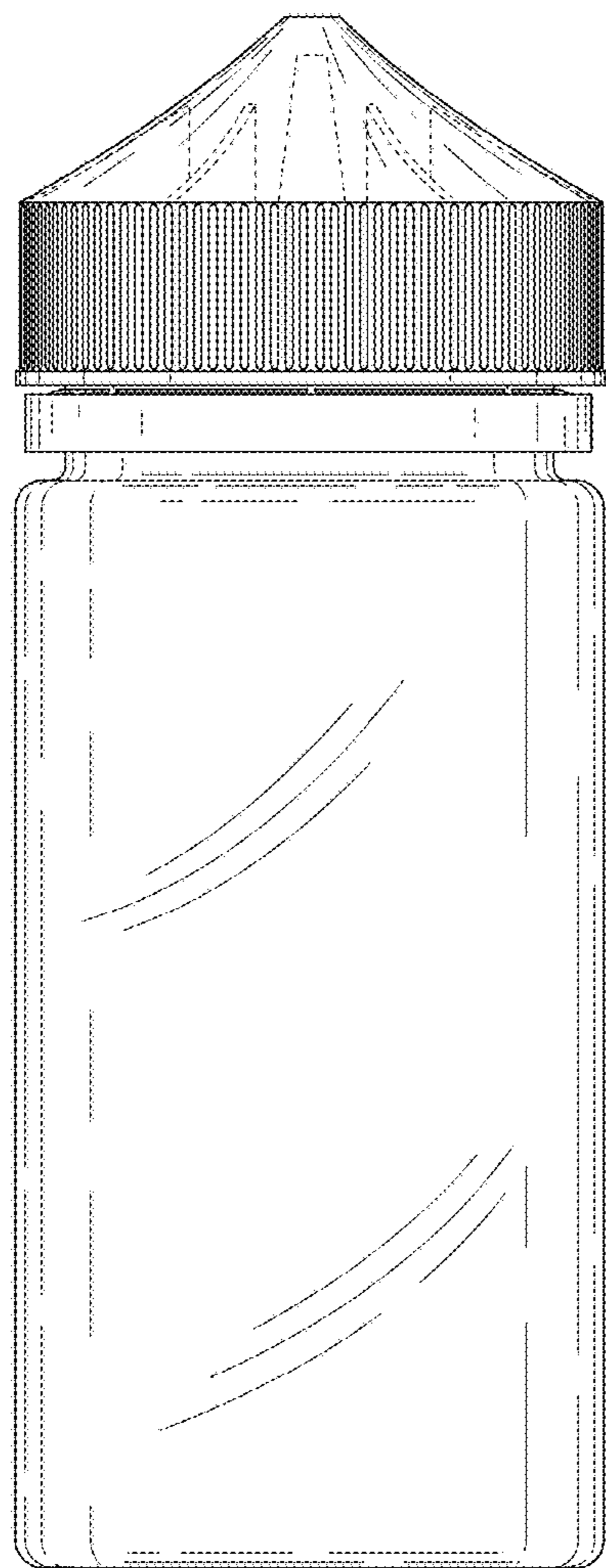


FIG. 14

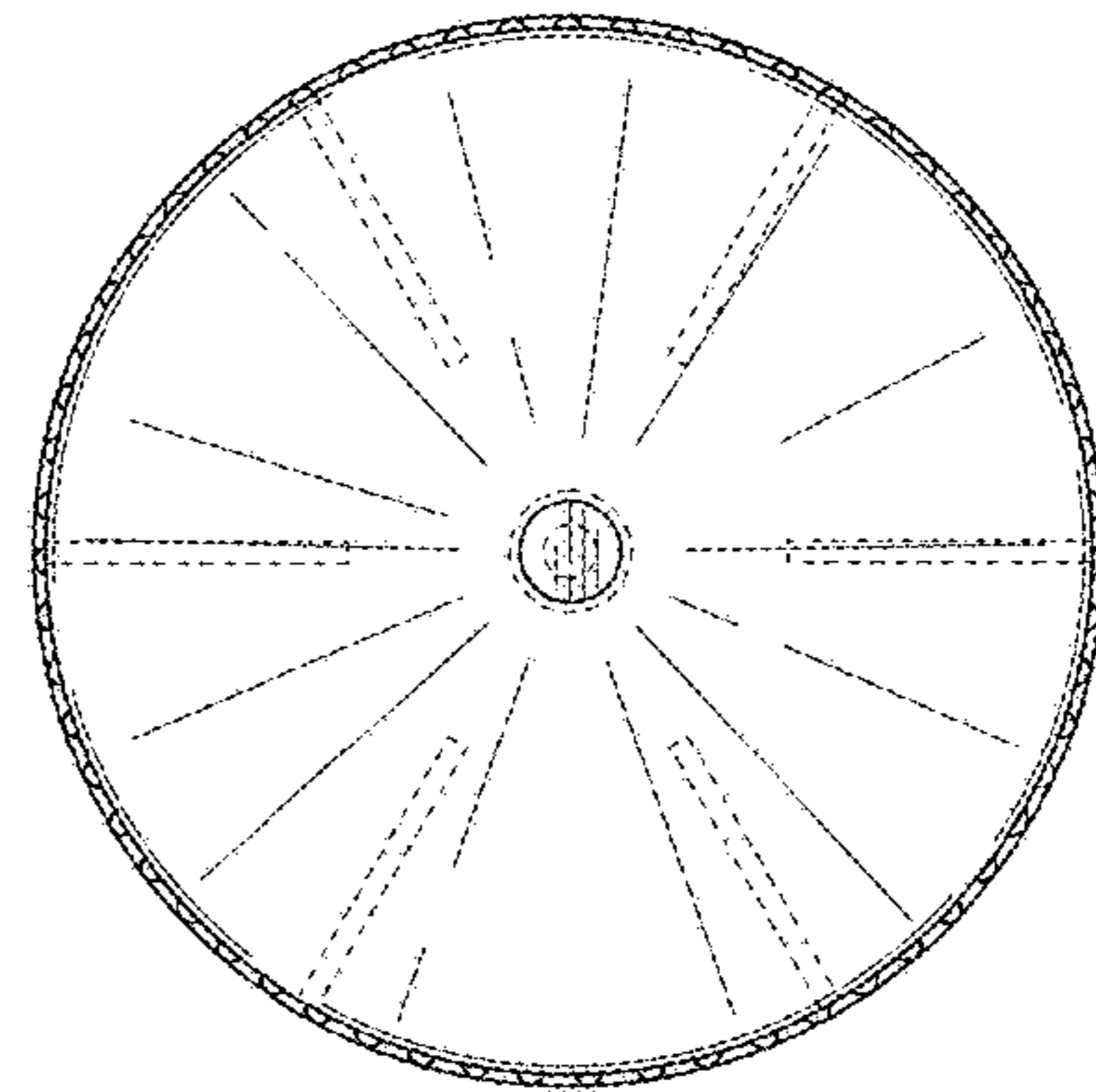


FIG. 15

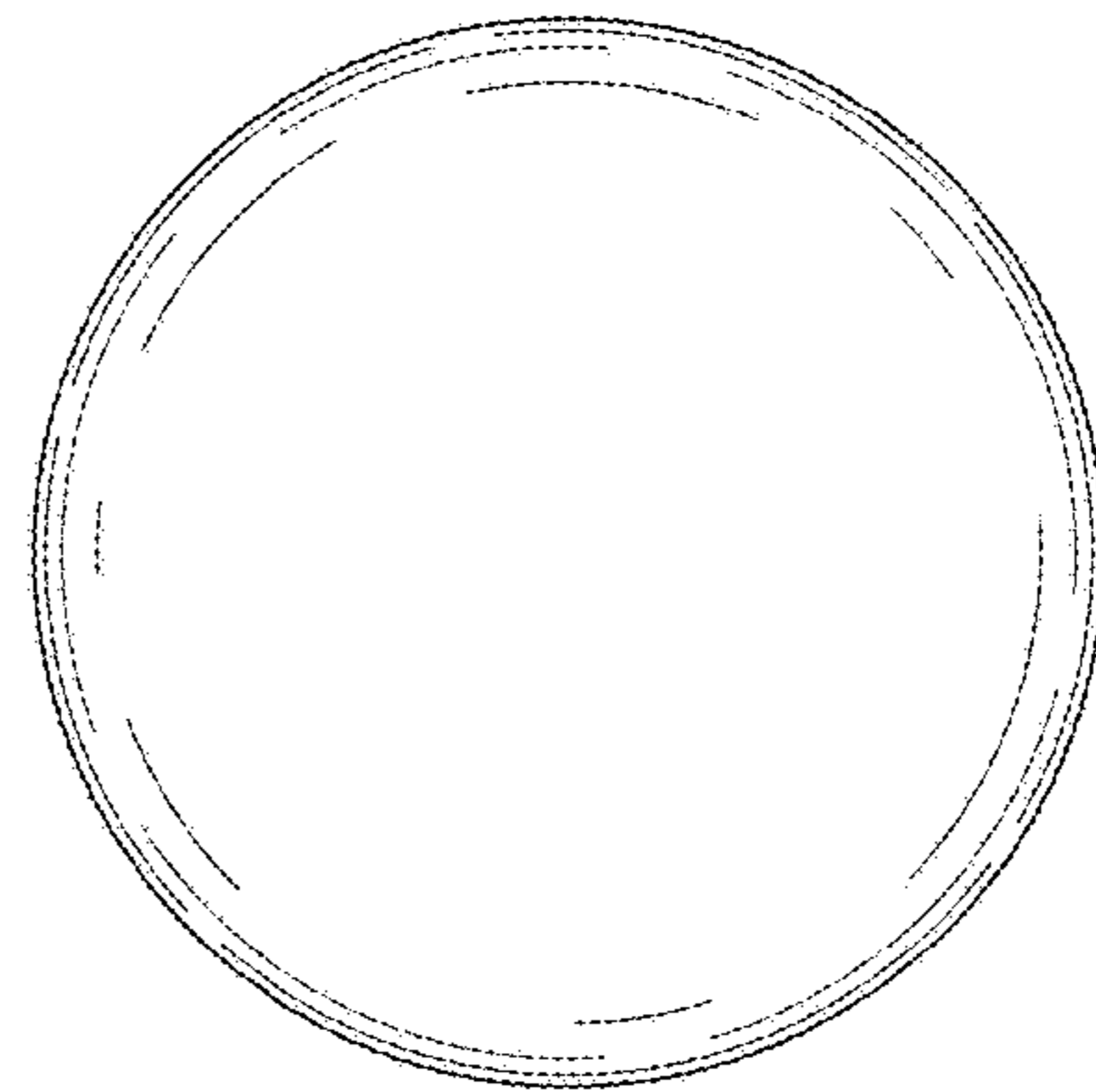


FIG. 16