



US00D855475S

(12) **United States Design Patent**  
**Tan**

(10) **Patent No.:** **US D855,475 S**

(45) **Date of Patent:** **\*\* Aug. 6, 2019**

(54) **SEALABLE WAVE BAG**

(71) Applicant: **Pan Pacific Plastics Mfg., Inc.**,  
Hayward, CA (US)

(72) Inventor: **Hin Siang Michael Tan**, Danville, CA  
(US)

(73) Assignee: **PAN PACIFIC PLASTICS MFG.,  
INC.**, Hayward, CA (US)

(\*\*) Term: **15 Years**

(21) Appl. No.: **29/661,712**

(22) Filed: **Aug. 30, 2018**

**Related U.S. Application Data**

(63) Continuation of application No. 29/611,777, filed on  
Jul. 25, 2017, now Pat. No. Des. 830,850, which is a  
(Continued)

(51) **LOC (12) Cl.** ..... **09-05**

(52) **U.S. Cl.**  
USPC ..... **D9/709**

(58) **Field of Classification Search**  
USPC ..... D9/702-714, 430-434, 423, 499;  
D3/303, 202, 205, 221, 226, 246, 240,  
(Continued)

(56) **References Cited**

**U.S. PATENT DOCUMENTS**

4,125,220 A 11/1978 Suominen  
4,717,262 A 1/1988 Roen  
(Continued)

**OTHER PUBLICATIONS**

Hin Siang Michael Tan, U.S. Appl. No. 15/374,764, filed Dec. 9,  
2016.

(Continued)

*Primary Examiner* — Abraham Bahta

(74) *Attorney, Agent, or Firm* — Beyer Law Group LLP

(57) **CLAIM**

I claim the ornamental design for a sealable wave bag,  
substantially as shown and described.

**DESCRIPTION**

FIG. 1 is a front right perspective view of a sealable wave  
bag showing my new design.

FIG. 2 is a front view of the sealable wave bag of FIG. 1, the  
rear view being a mirror image thereof.

FIG. 3 is a left side view thereof, the right side view being  
a mirror image thereof.

FIG. 4 is a top view thereof.

FIG. 5 is a bottom view thereof.

FIG. 6 is an interior view of a rear sheet-like panel, taken  
along the plane of the line 6-6 in FIG. 3.

FIG. 7 is an interior view of a front sheet-like panel, taken  
along the plane of the line 7-7 in FIG. 3.

FIG. 8 is a front right perspective view of the sealable wave  
bag of FIG. 1, illustrating the sealable wave bag in an  
opened position.

FIG. 9 is a front left perspective view thereof.

FIG. 10 is a front right perspective view of the opened  
sealable wave bag of FIG. 8, illustrating the opened sealable  
wave bag with a front handle flap folded down.

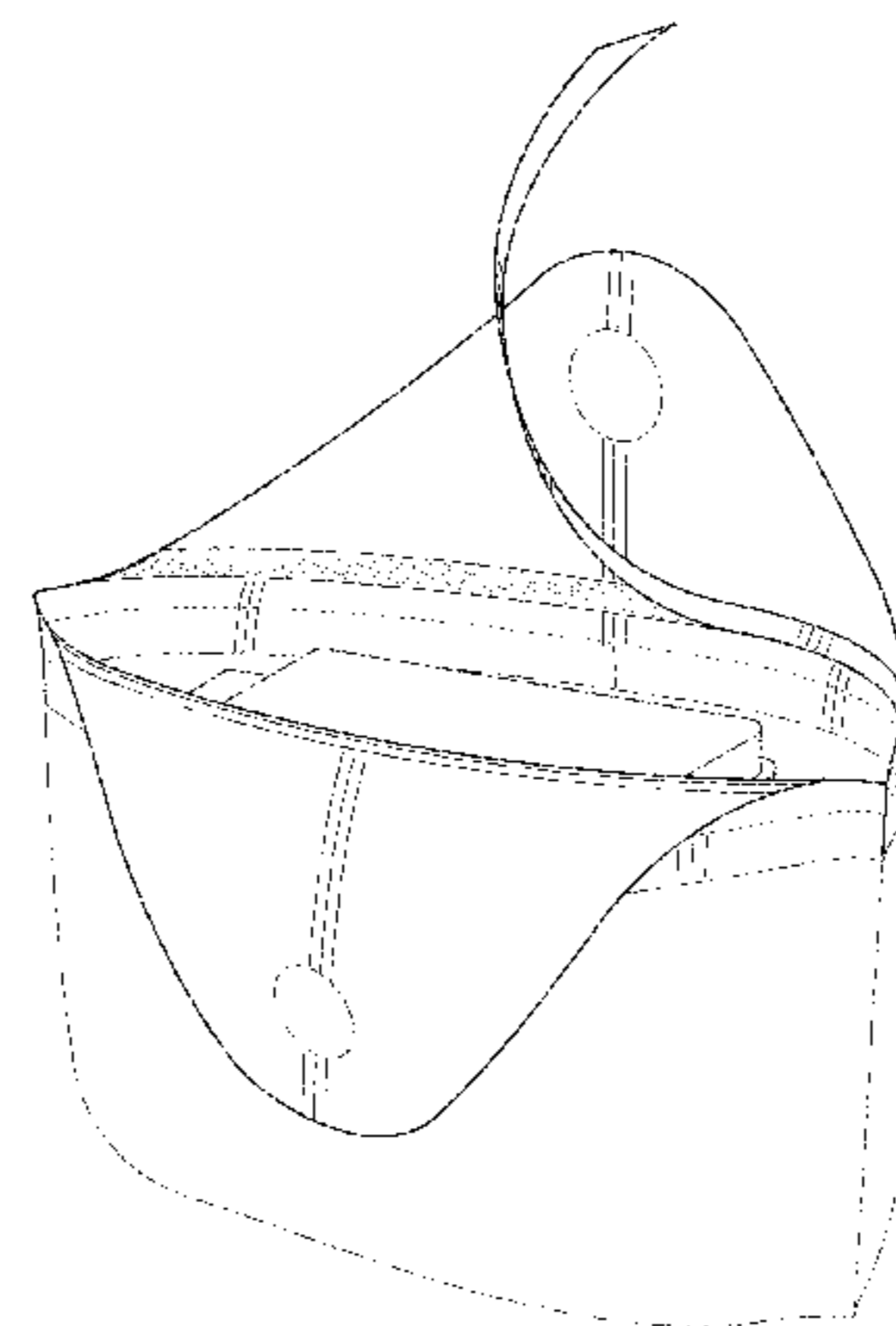
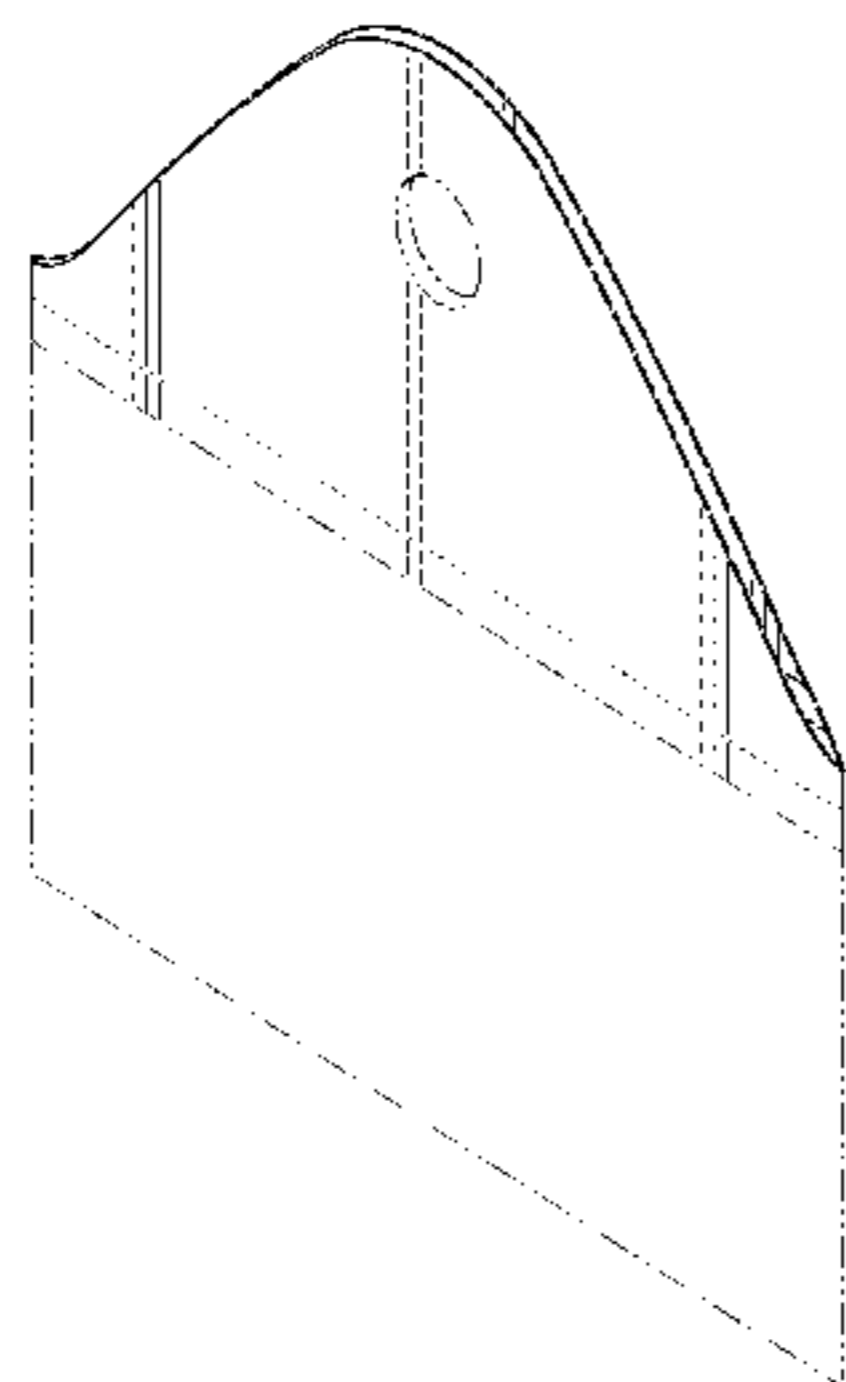
FIG. 11 is a front right perspective view of the opened  
sealable wave bag of FIG. 8, illustrating the opened sealable  
wave bag with both the front and a rear handle flap folded  
down.

FIG. 12 is a front right perspective view of the opened  
sealable wave bag of FIG. 10, illustrating content, shown in  
dash-dot-dash lines, contained in the opened sealable wave  
bag, as well as partial removal of a protective cover over an  
adhesive seal.

FIG. 13 is a front right perspective view of the sealable wave  
bag of FIG. 12, illustrating the front and rear handle flaps  
sealed together; and,

FIG. 14 is a front right perspective view of the sealable wave  
bag of FIG. 13, illustrating the front and rear handle flaps  
removed from the remaining wave bag, via perforations,  
shown in dash-dash lines, to access the contents, shown in  
dash-dot-dash lines.

(Continued)



The dash-dot-dash lines in the Figures show portions of the sealable wave bag which form no part of the claimed design. The dash-dash lines illustrate perforations in the sealable wave bag for the purpose of opening the sealed wave bag. The shade lines in the Figures show contours and not surface ornamentation.

**1 Claim, 12 Drawing Sheets**

**Related U.S. Application Data**

continuation of application No. 15/388,740, filed on Dec. 22, 2016, which is a continuation-in-part of application No. 15/374,764, filed on Dec. 9, 2016.

(58) **Field of Classification Search**

USPC ..... D3/304–315, 201, 276; 383/6, 105–120, 383/127, 10; 220/915.1, 915.2, 592.01, 220/773, 755; D7/601, 605–607, D7/709–710, 393, 394, 395, 602, 622, D7/624.2; 206/139, 428, 488, 427, 433, 206/434, 432; 229/117.19, 116.5, 923, 229/87.03, 87.18, 87.19, 117.09; 150/100, 107; 493/226; 215/399, 396

CPC ..... B65D 33/00; B65D 33/12; B65D 33/16; B65D 31/00; B65D 31/10; B65D 5/00; B65D 5/06; A45C 1/00; A45C 1/02; A45C 3/06; A45C 3/00; A45C 3/10

See application file for complete search history.

(56)

**References Cited**

U.S. PATENT DOCUMENTS

5,338,118	A	8/1994	DeMatteis	
D404,203	S *	1/1999	Maier-Aichen	D3/245
D684,369	S *	6/2013	Daigle	D3/309
D706,030	S *	6/2014	Wang	D3/245
D755,510	S *	5/2016	Haast	D3/232
D782,918	S *	4/2017	Ross	D9/705
D830,850	S *	10/2018	Tan	D9/709
2007/0031067	A1	2/2007	Gebhardt	

OTHER PUBLICATIONS

Hin Siang Michael Tan, U.S. Appl. No. 15/388,740, filed Dec. 22, 2016.

\* cited by examiner

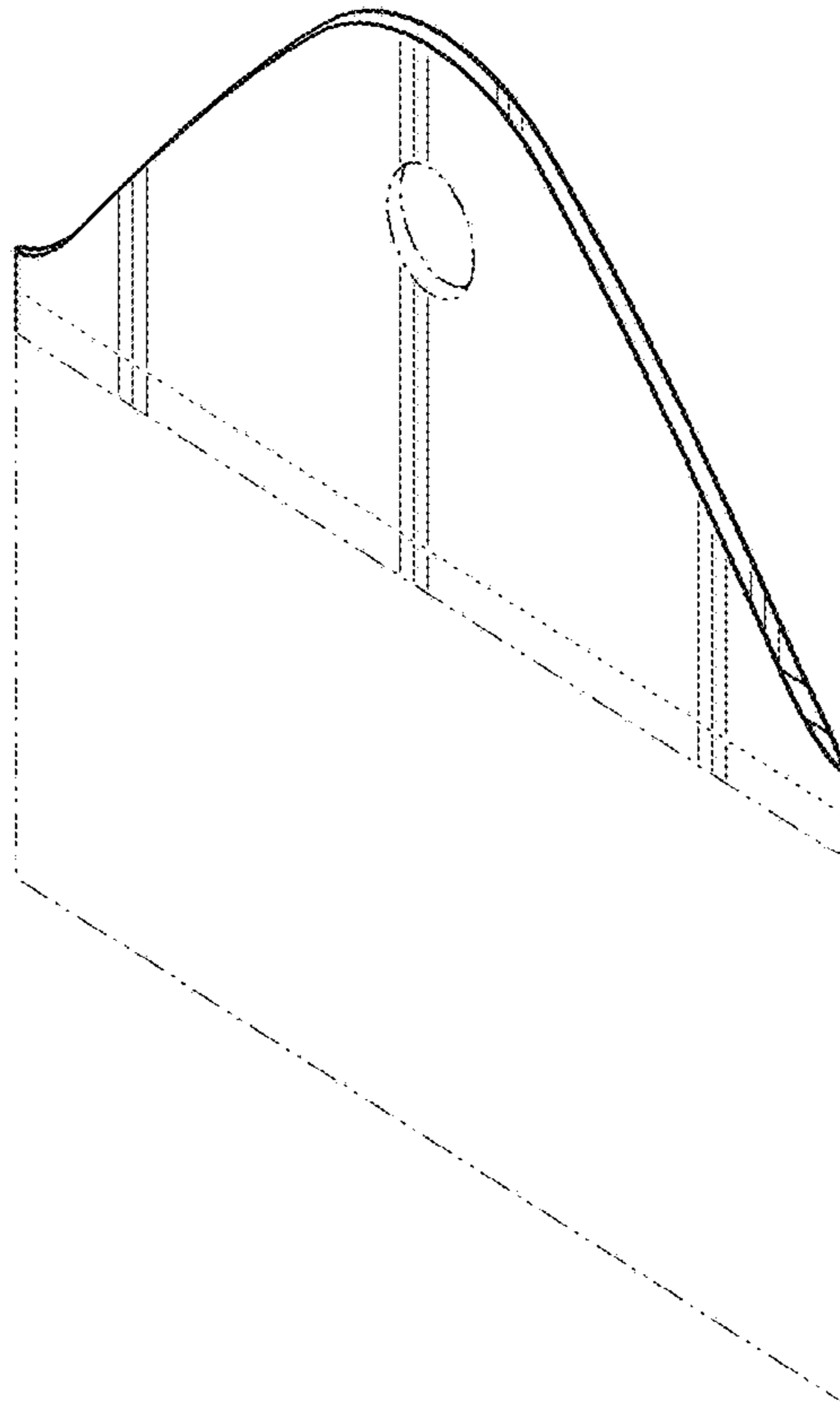


FIG. 1

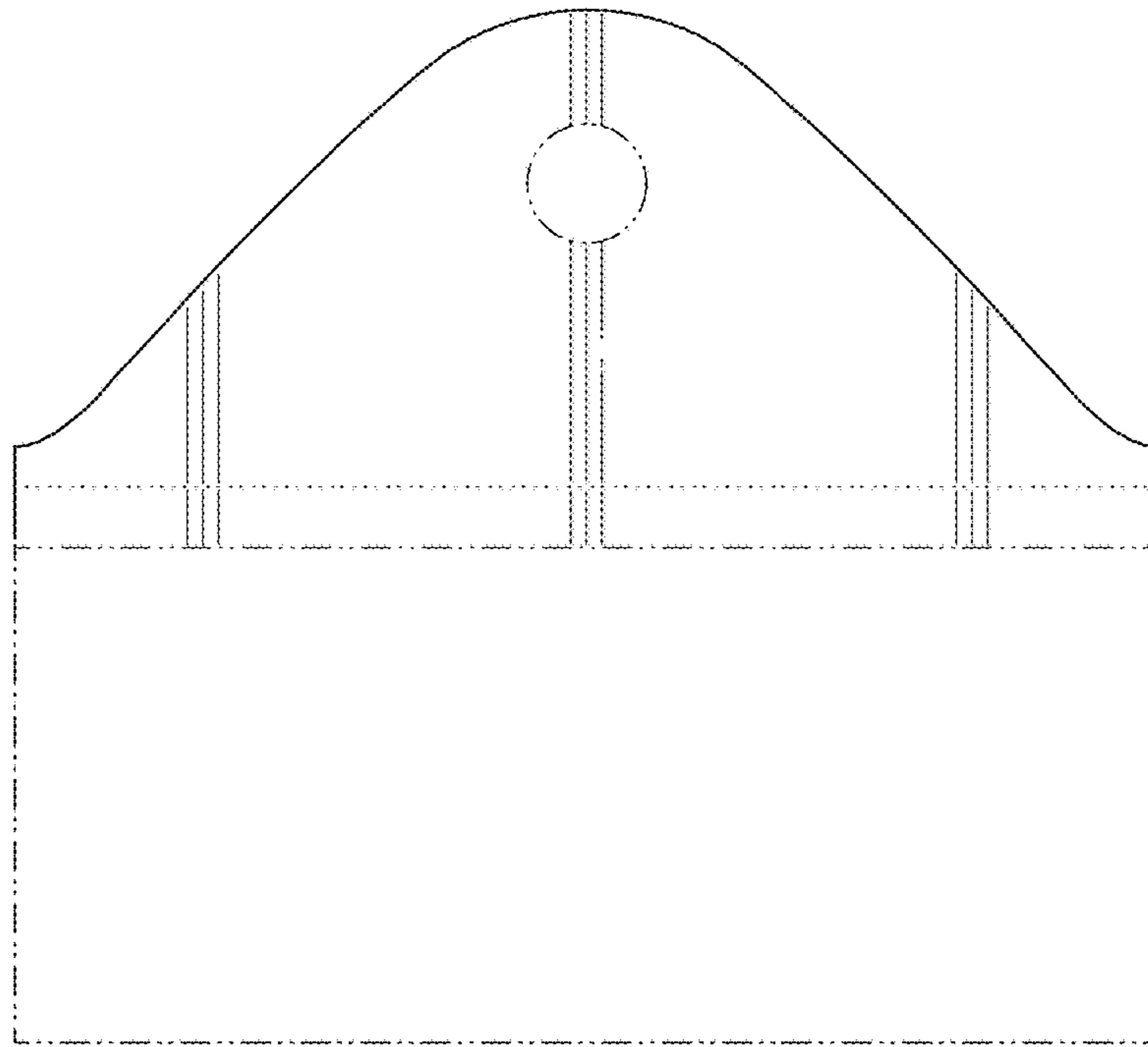


FIG. 2

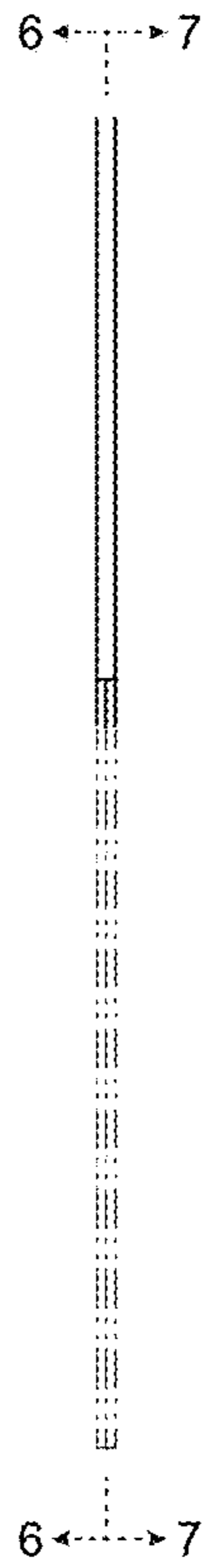


FIG. 3

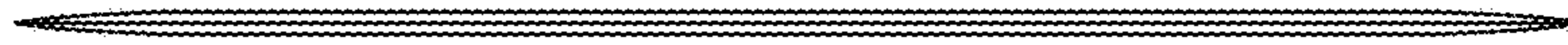


FIG. 4

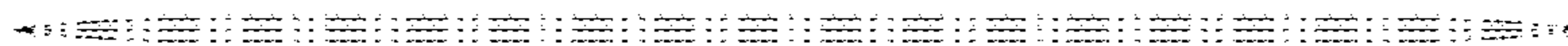


FIG. 5

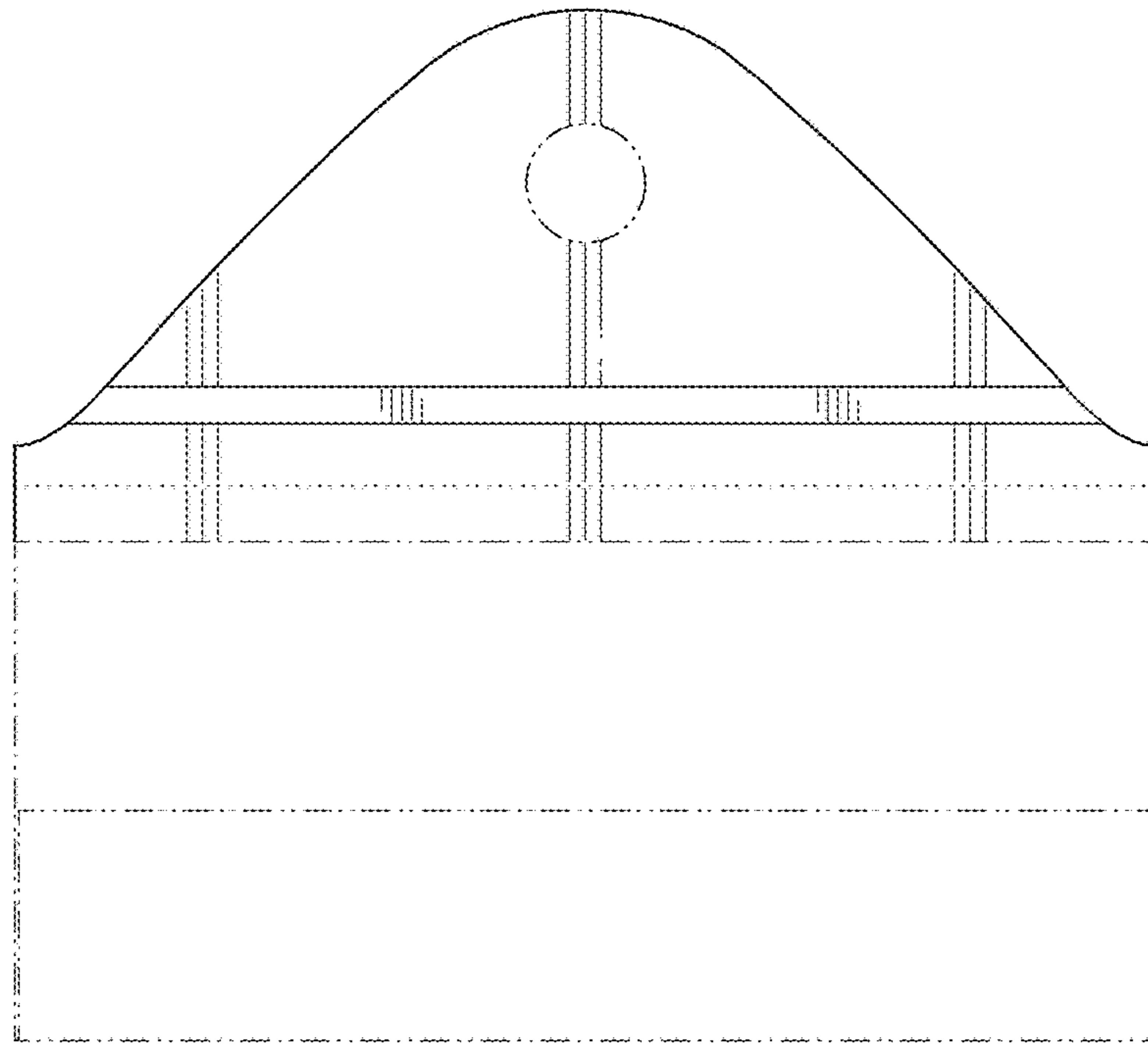


FIG. 6

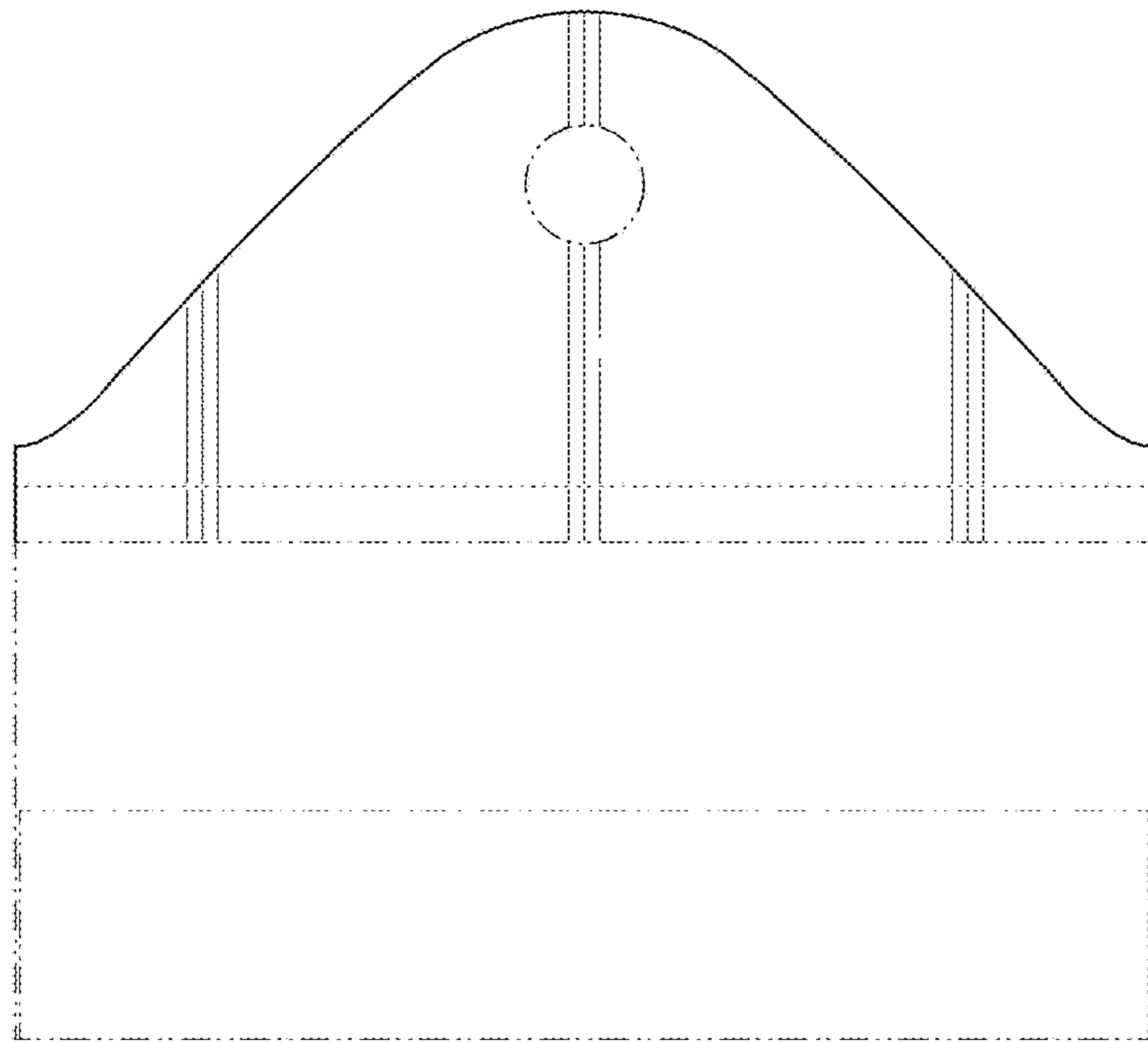


FIG. 7



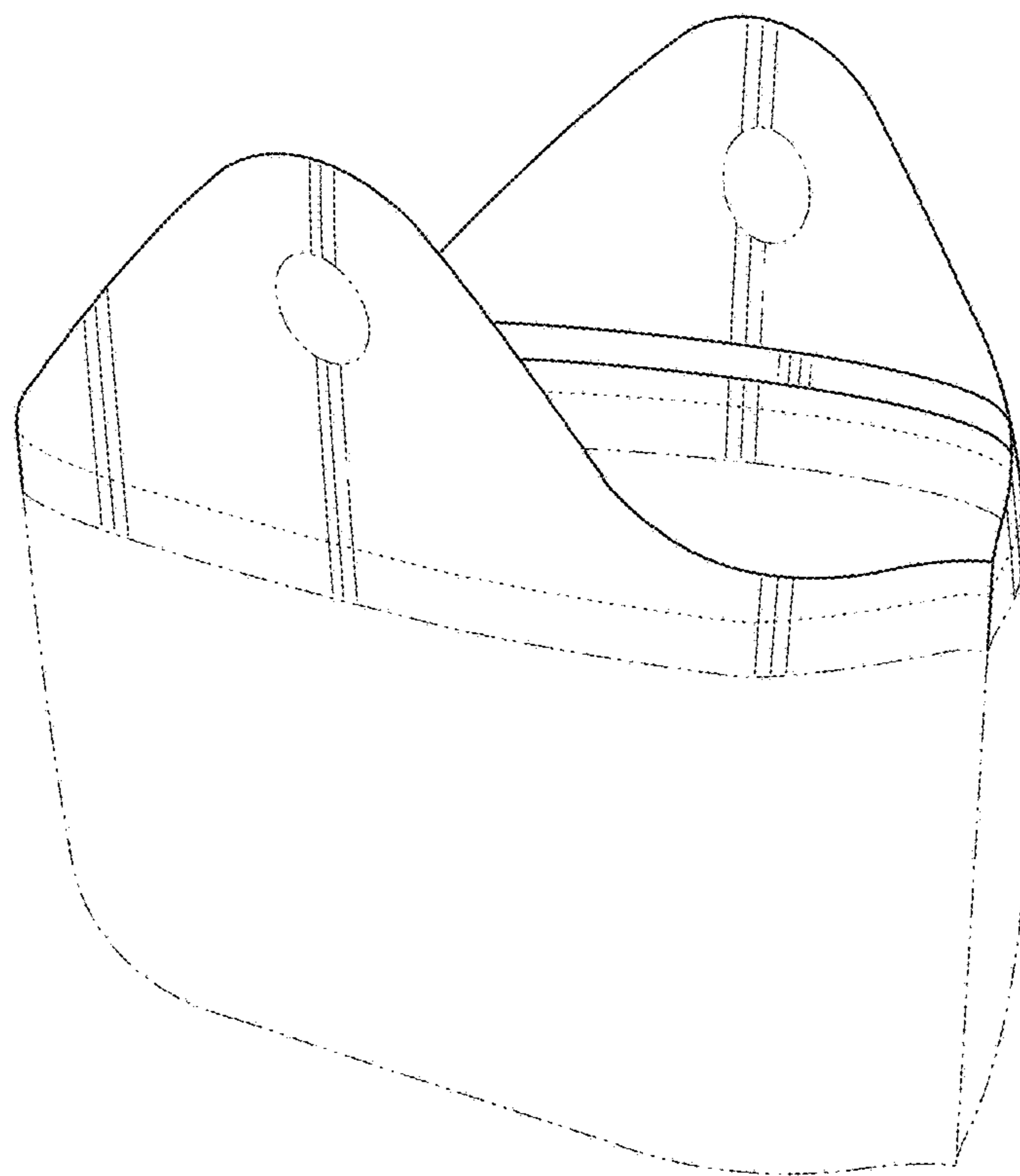


FIG. 8



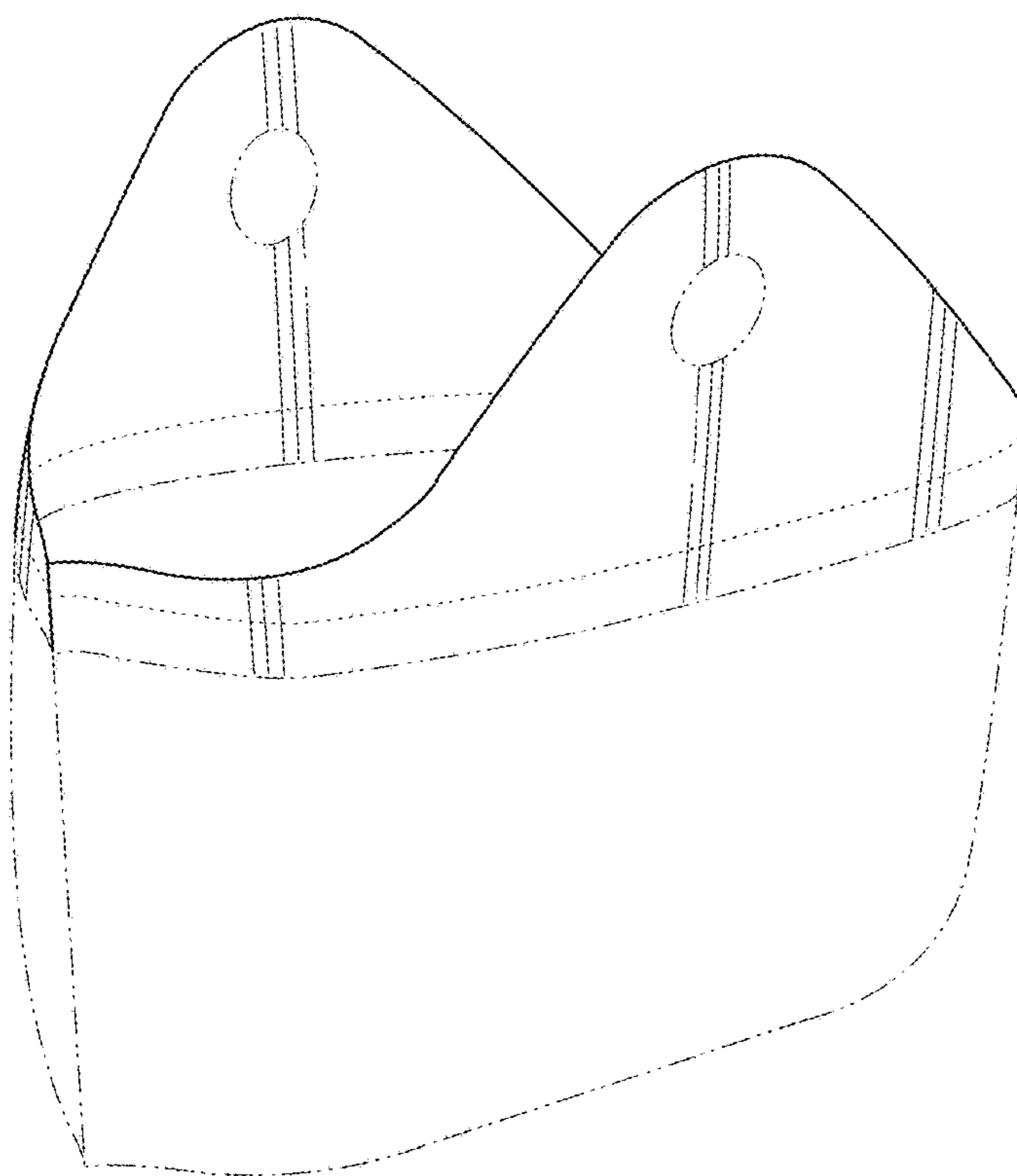


FIG. 9

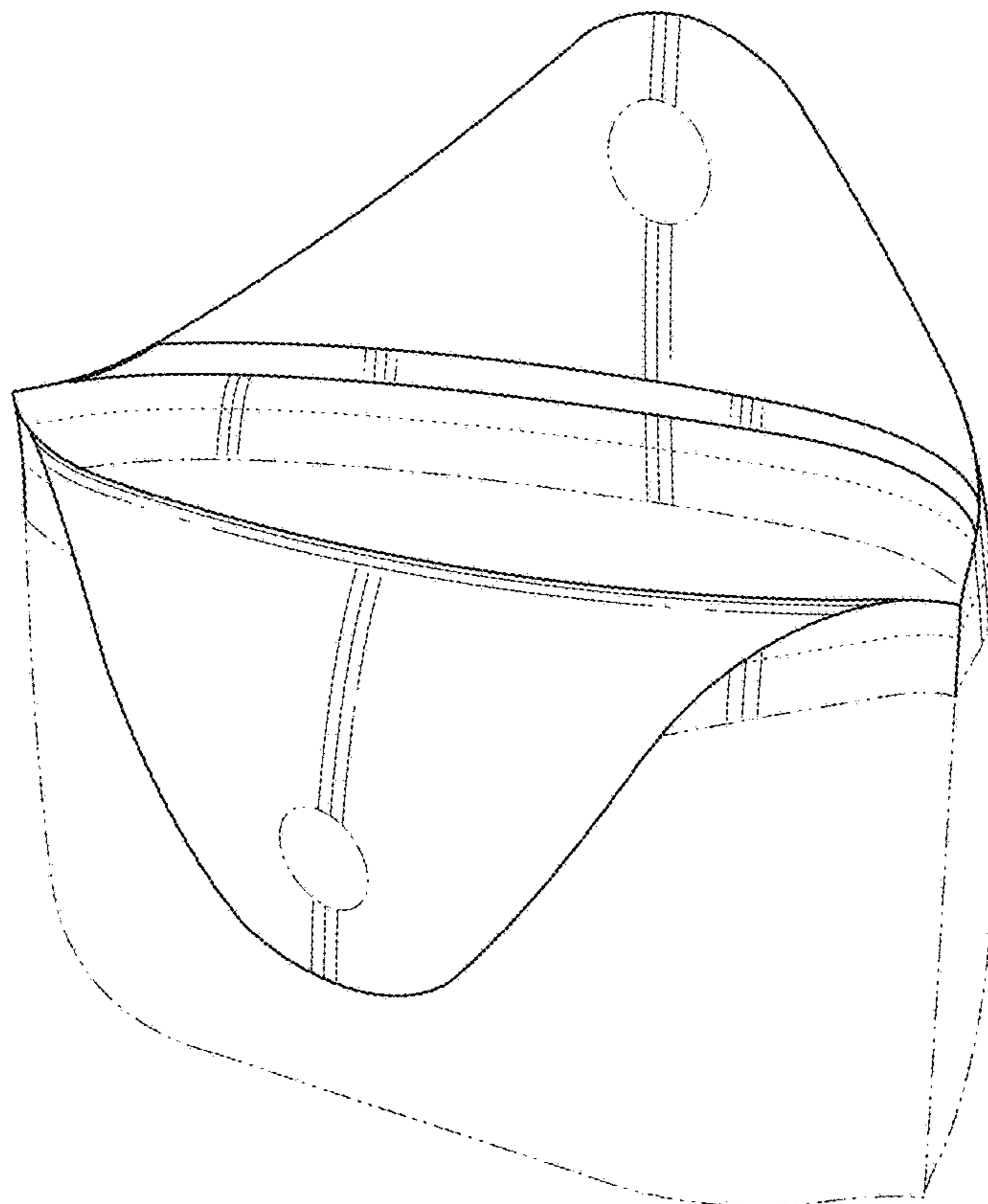


FIG. 10

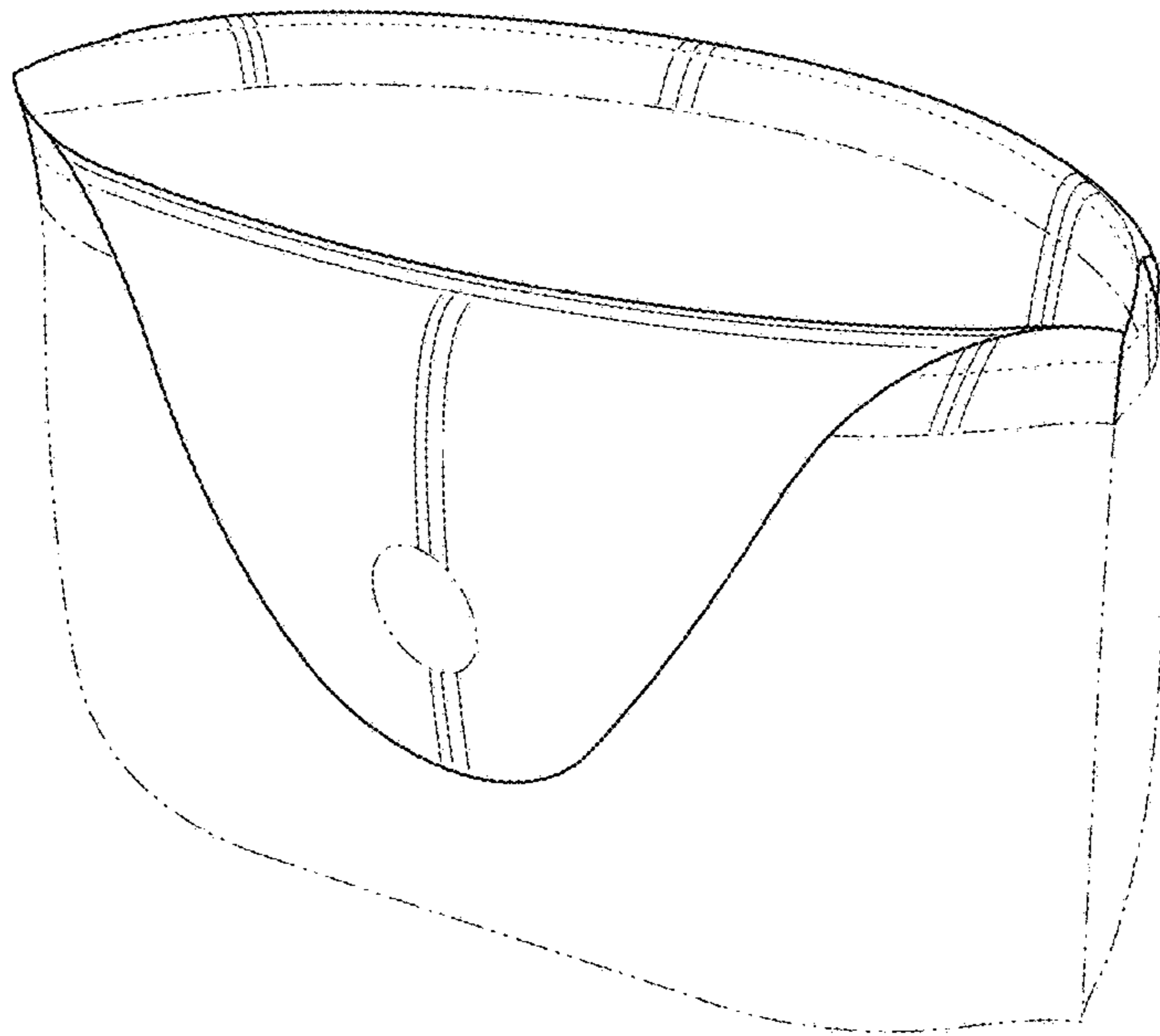


FIG. 11

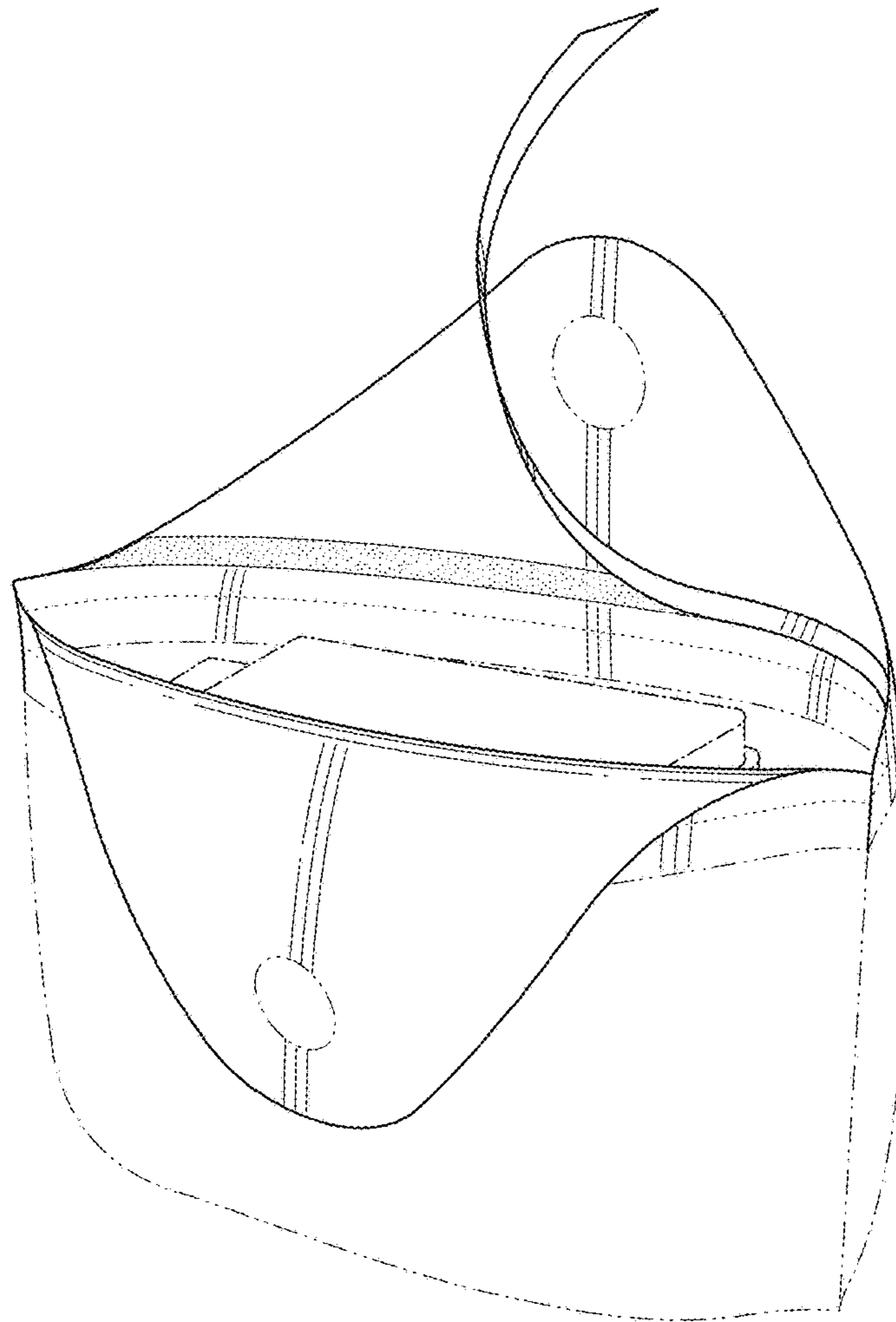


FIG. 12

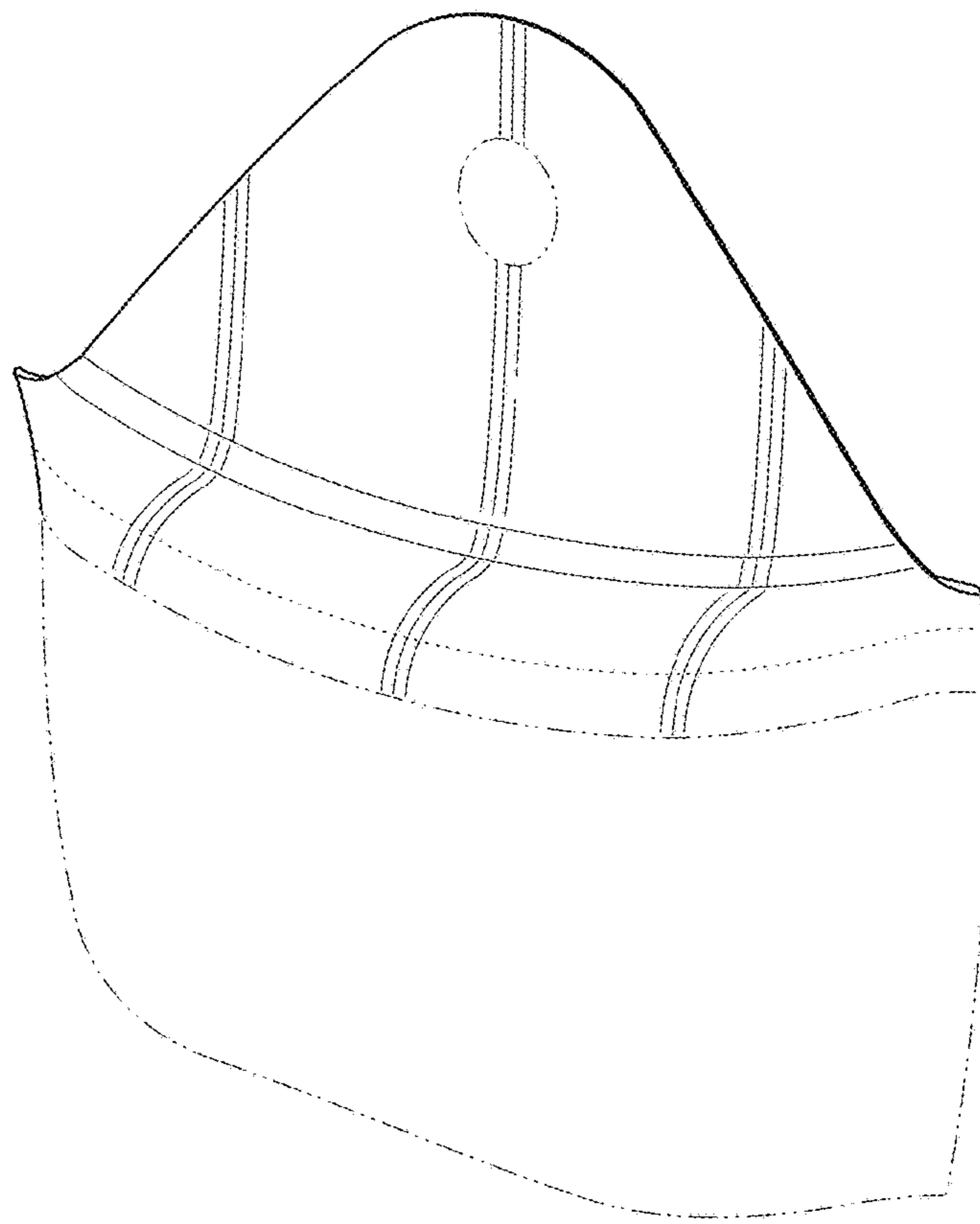


FIG. 13

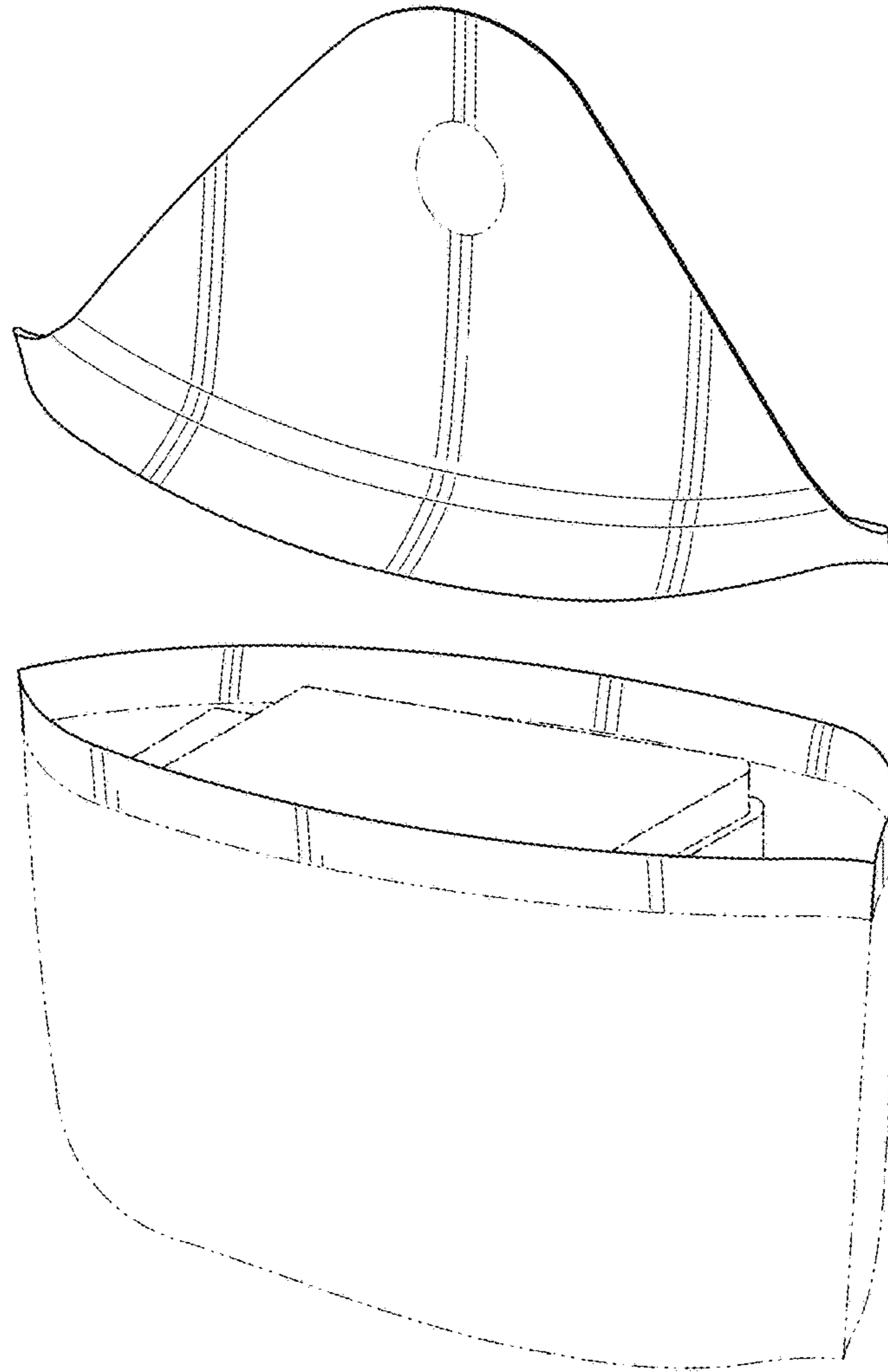


FIG. 14