



US00D855468S

(12) **United States Design Patent** (10) **Patent No.:** **US D855,468 S**  
**Morris** (45) **Date of Patent:** **\*\* Aug. 6, 2019**

- (54) **BOTTLE**
- (71) Applicant: **GEO PLASTICS**, Los Angeles, CA (US)
- (72) Inventor: **Michael Abraham Morris**, Rancho Palos Verdes, CA (US)
- (73) Assignee: **GEO Plastics**, Los Angeles, CA (US)
- (\*\*) Term: **15 Years**
- (21) Appl. No.: **29/632,540**
- (22) Filed: **Jan. 8, 2018**

- D333,978 S \* 3/1993 Zutler ..... D9/566
- D351,394 S 10/1994 Morris
- D357,417 S 4/1995 Van Keimpema et al.
- D357,742 S \* 4/1995 Peery ..... D24/189
- D371,967 S 7/1996 Miller
- D373,532 S 9/1996 Miller
- D378,494 S 3/1997 Miller
- D390,457 S \* 2/1998 Hoska ..... D9/707
- D480,649 S \* 10/2003 Lim ..... D9/530

(Continued)

*Primary Examiner* — Derrick E Holland  
*Assistant Examiner* — Janice Patyk  
(74) *Attorney, Agent, or Firm* — Knobbe Martens Olson & Bear, LLP

**Related U.S. Application Data**

- (63) Continuation of application No. 29/569,336, filed on Jun. 27, 2016, now Pat. No. Des. 808,811.
- (51) **LOC (12) Cl.** ..... **09-01**
- (52) **U.S. Cl.**  
USPC ..... **D9/516**
- (58) **Field of Classification Search**  
USPC ..... D9/452, 516, 522, 530, 531, 534, 536,  
D9/537, 539, 544, 549, 551, 558, 566;  
D20/27; D24/189; D28/81, 90;  
215/248, 307, 379, 381–385, 902;  
220/660, 662, 669, 675  
CPC .... B65D 1/0223; B65D 1/0207; B65D 1/023;  
B65D 13/02; B65D 2501/0081; B29L  
2031/7158  
See application file for complete search history.

**References Cited**

**U.S. PATENT DOCUMENTS**

- D202,479 S 10/1965 Kelly
- D277,552 S 2/1985 Kung
- 4,805,793 A 2/1989 Brandt et al.
- 5,114,028 A 5/1992 Ring

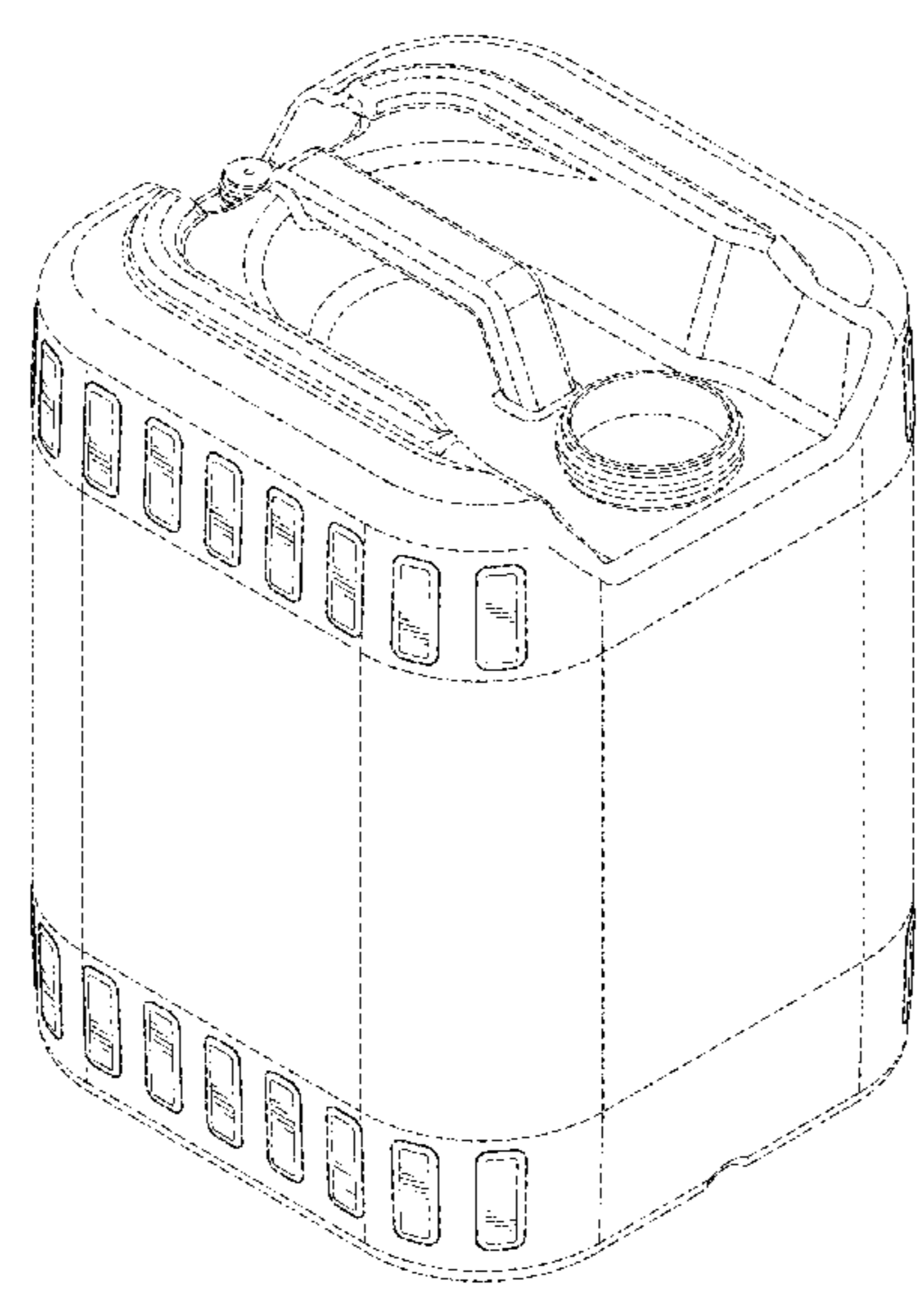
(57) **CLAIM**

The ornamental design for a bottle, as shown and described.

**DESCRIPTION**

FIG. 1 is a left, front, and top perspective view of embodiment one of a bottle, showing my new design;  
FIG. 2 is a top plan view of the bottle of FIG. 1;  
FIG. 3 is a bottom plan view of the bottle of FIG. 1;  
FIG. 4 is a front elevational view of the bottle of FIG. 1;  
FIG. 5 is a back elevational view of the bottle of FIG. 1;  
FIG. 6 is a right elevational view of the bottle of FIG. 1; and  
FIG. 7 is a left elevational view of the bottle of FIG. 1;  
FIG. 8 is a left, front, and top perspective view of embodiment two of a bottle, showing my new design;  
FIG. 9 is a top plan view of the bottle of FIG. 8;  
FIG. 10 is a bottom plan view of the bottle of FIG. 8;  
FIG. 11 is a front elevational view of the bottle of FIG. 8;  
FIG. 12 is a back elevational view of the bottle of FIG. 8;  
FIG. 13 is a right elevational view of the bottle of FIG. 8; and,  
FIG. 14 is a left elevational view of the bottle of FIG. 8.  
The broken lines in the figures illustrate the portions of the design that form no part of the claimed design.

**1 Claim, 14 Drawing Sheets**



(56)

**References Cited**

U.S. PATENT DOCUMENTS

D510,276 S	*	10/2005	de France	.....	D9/566
D520,367 S		5/2006	Morris		
D578,898 S	*	10/2008	Ungrady	.....	D9/560
D590,713 S	*	4/2009	Ray	.....	D9/450
D618,568 S	*	6/2010	Anderson	.....	D10/57
D670,170 S		11/2012	Voelker		
D670,395 S	*	11/2012	Wakamatsu	.....	D24/189
D715,161 S	*	10/2014	Weiss	.....	D7/509
D739,952 S	*	9/2015	Meng	.....	D24/216
D765,869 S	*	9/2016	Camper	.....	D24/189
D808,811 S		1/2018	Morris		
2008/0073317	A1	3/2008	Dygert et al.		
2013/0068764	A1	3/2013	Kuhar et al.		

\* cited by examiner

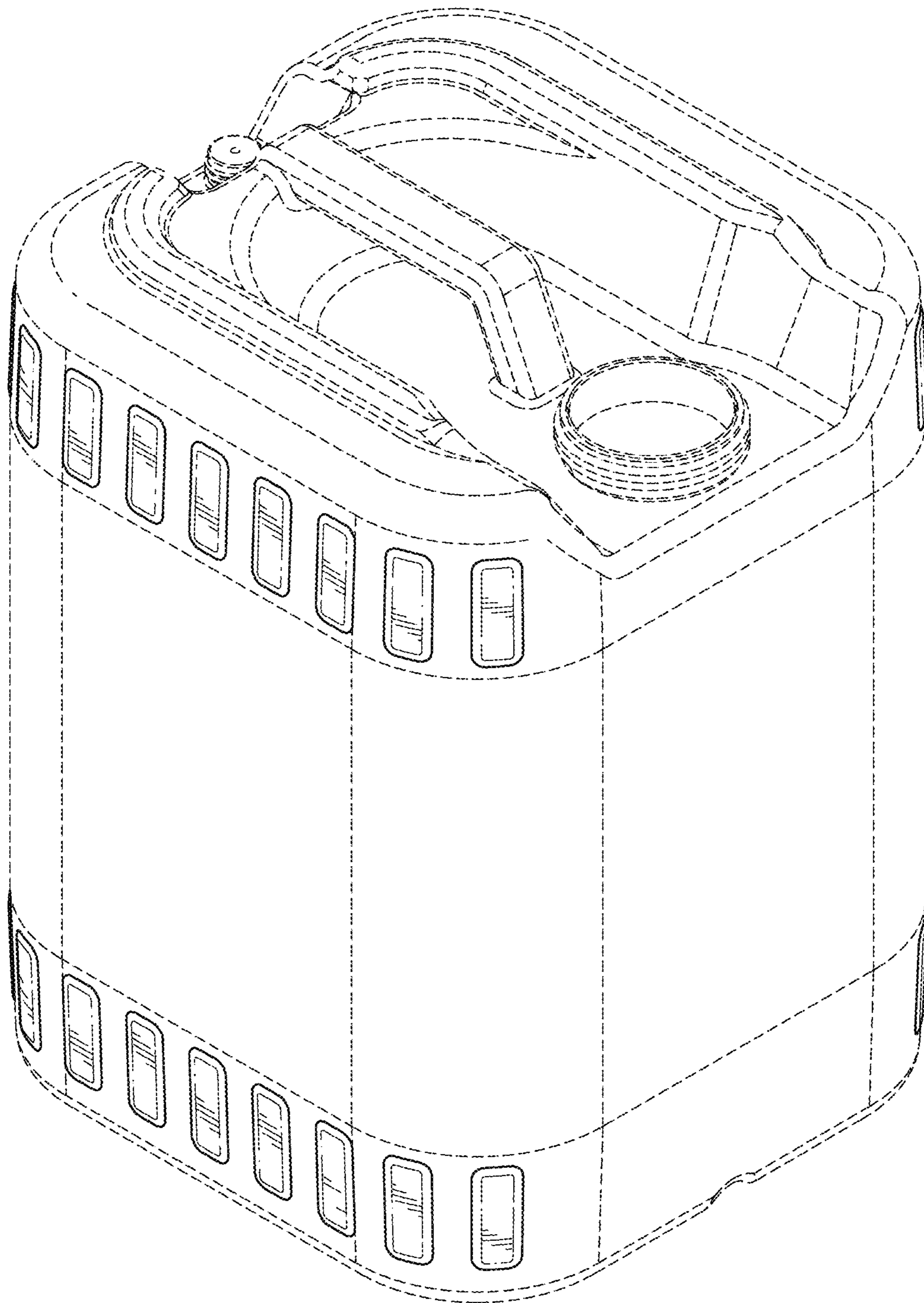


FIG. 1

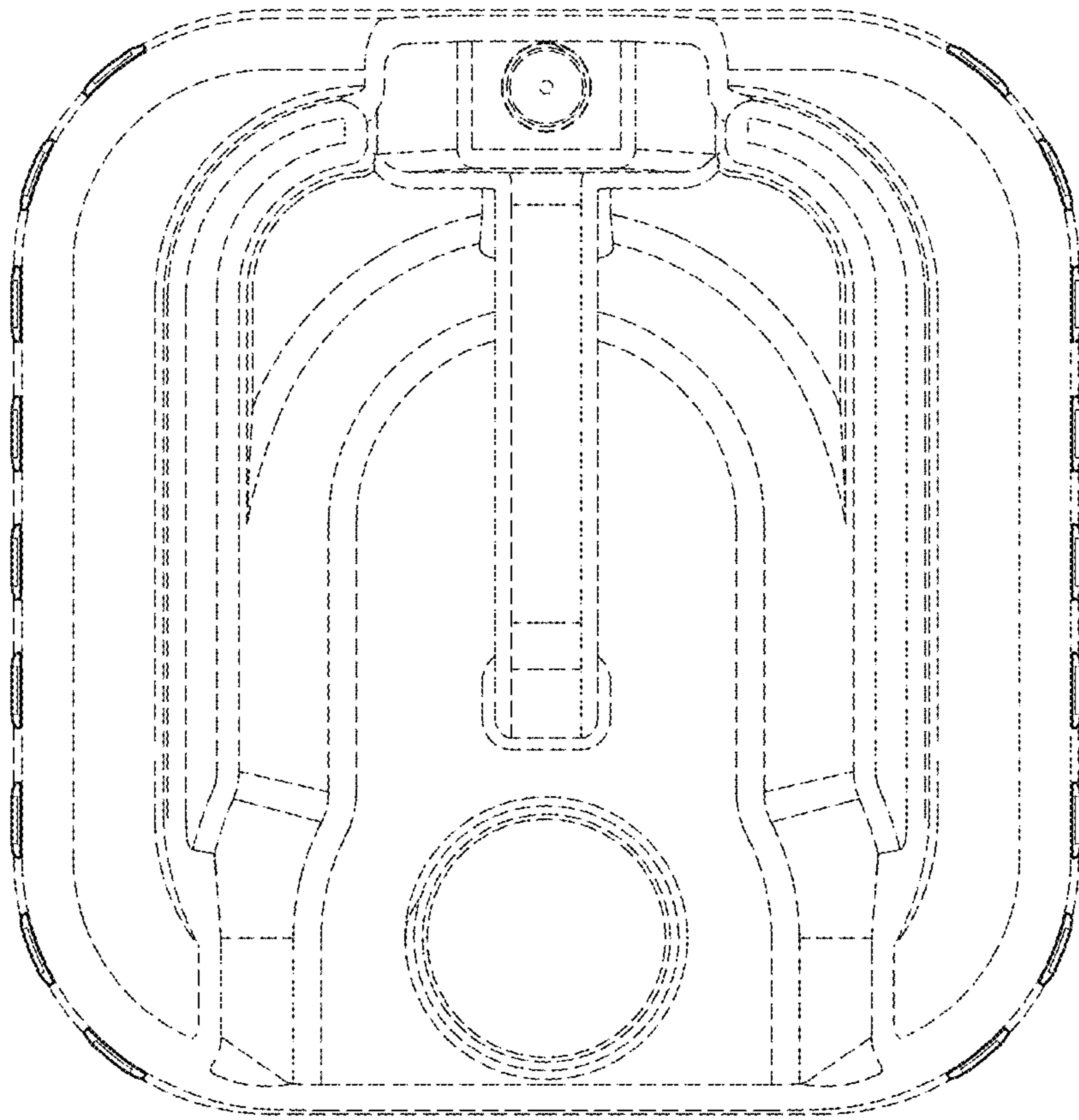


FIG. 2

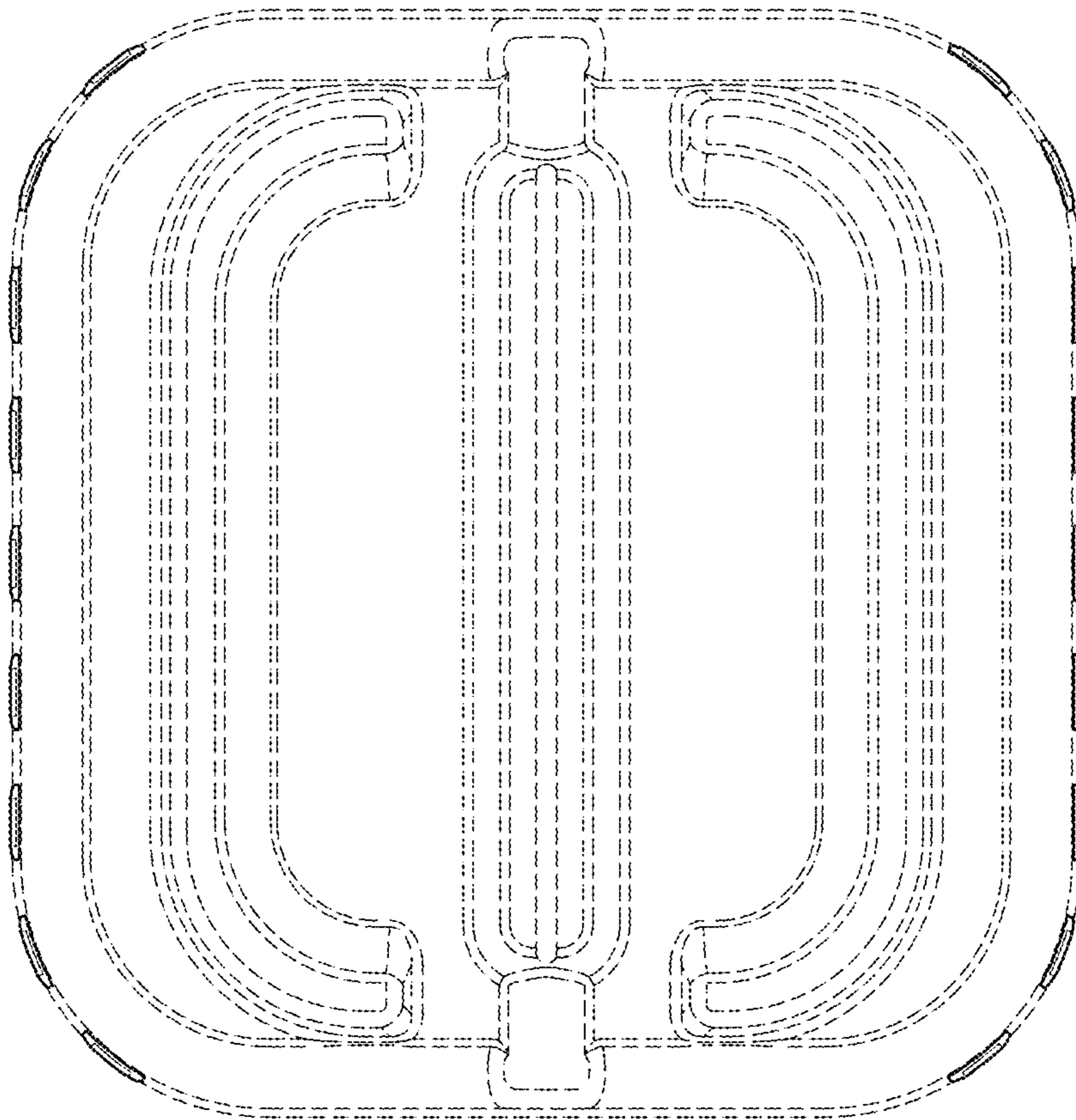


FIG. 3

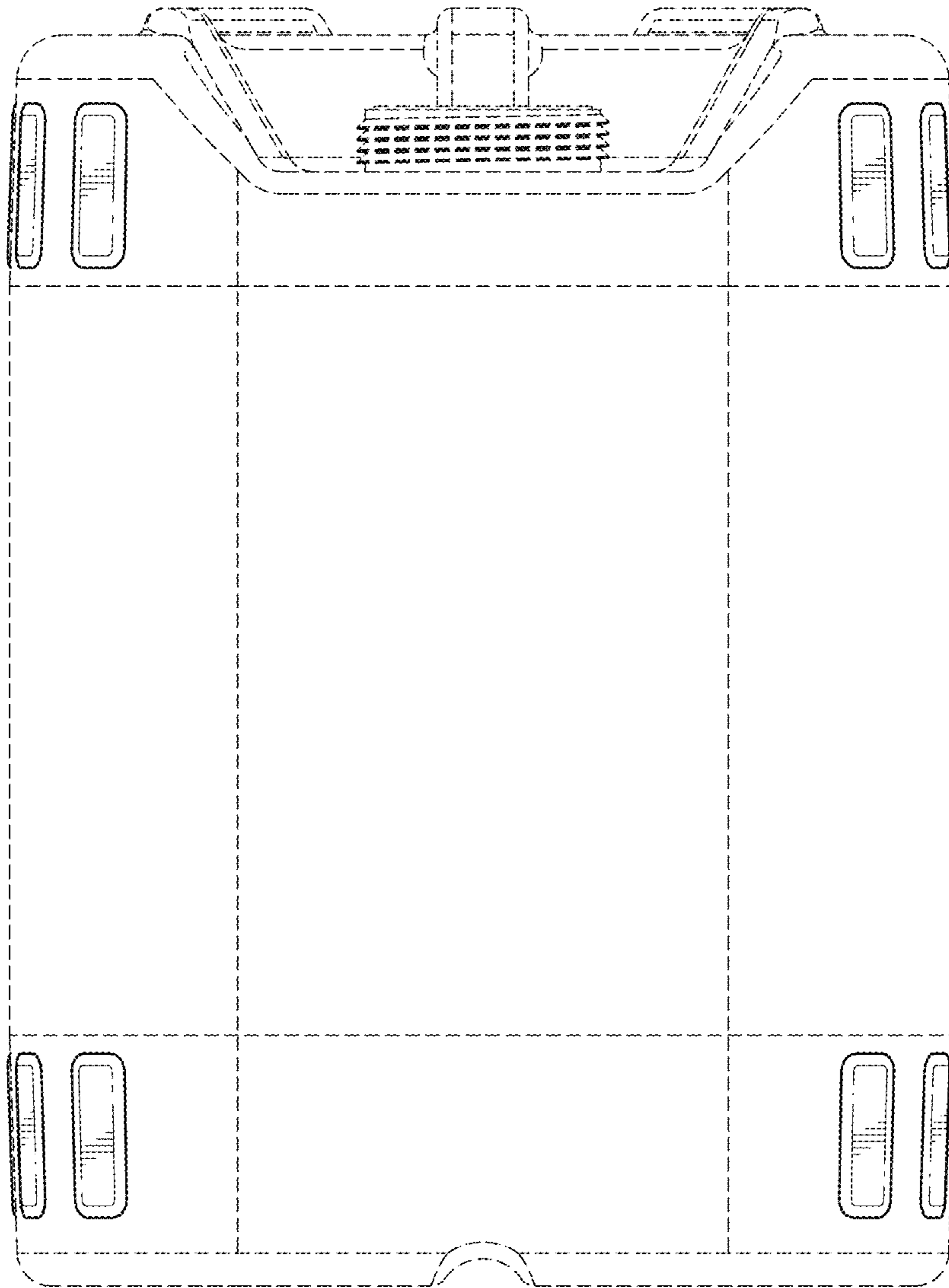


FIG. 4

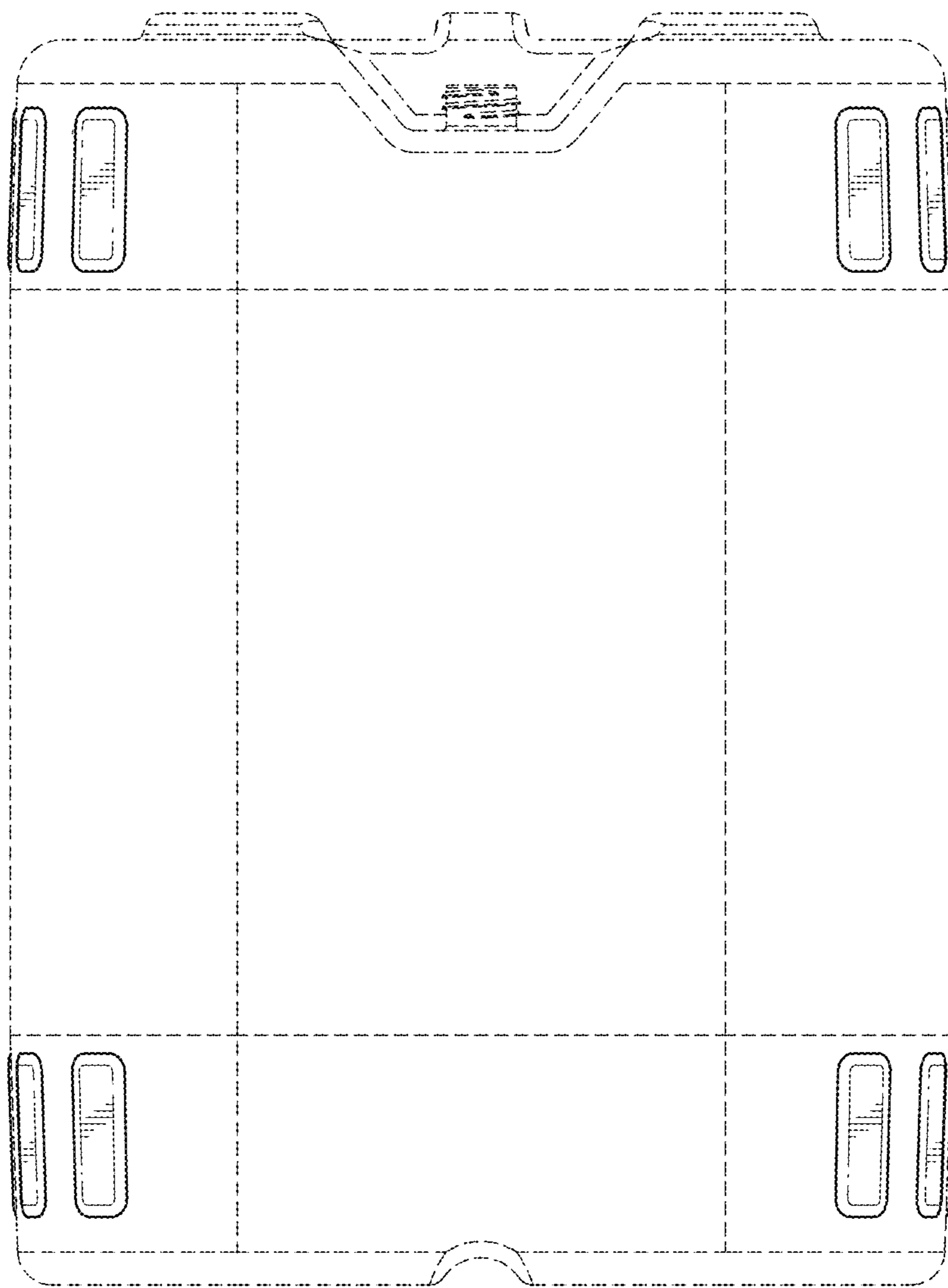


FIG. 5

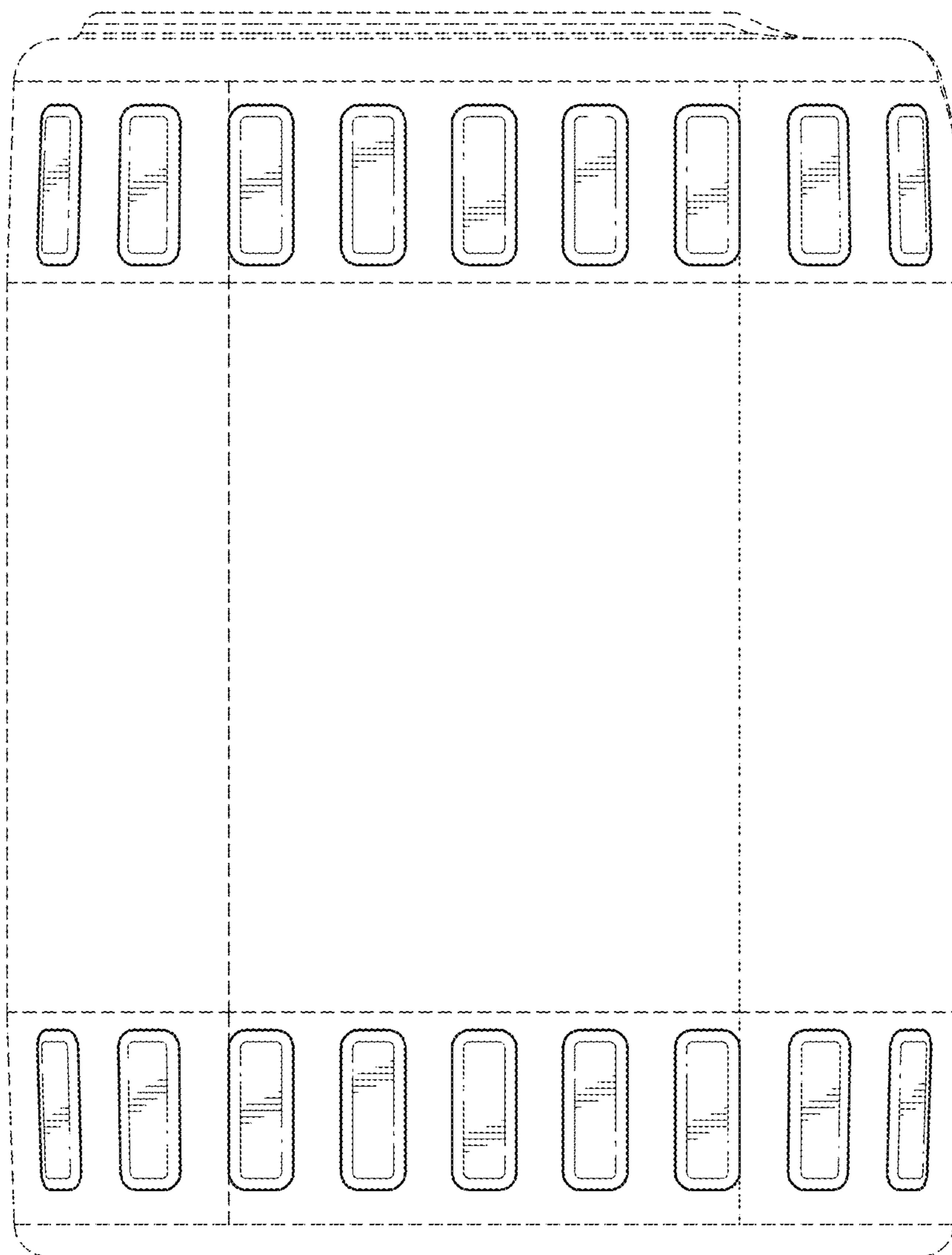
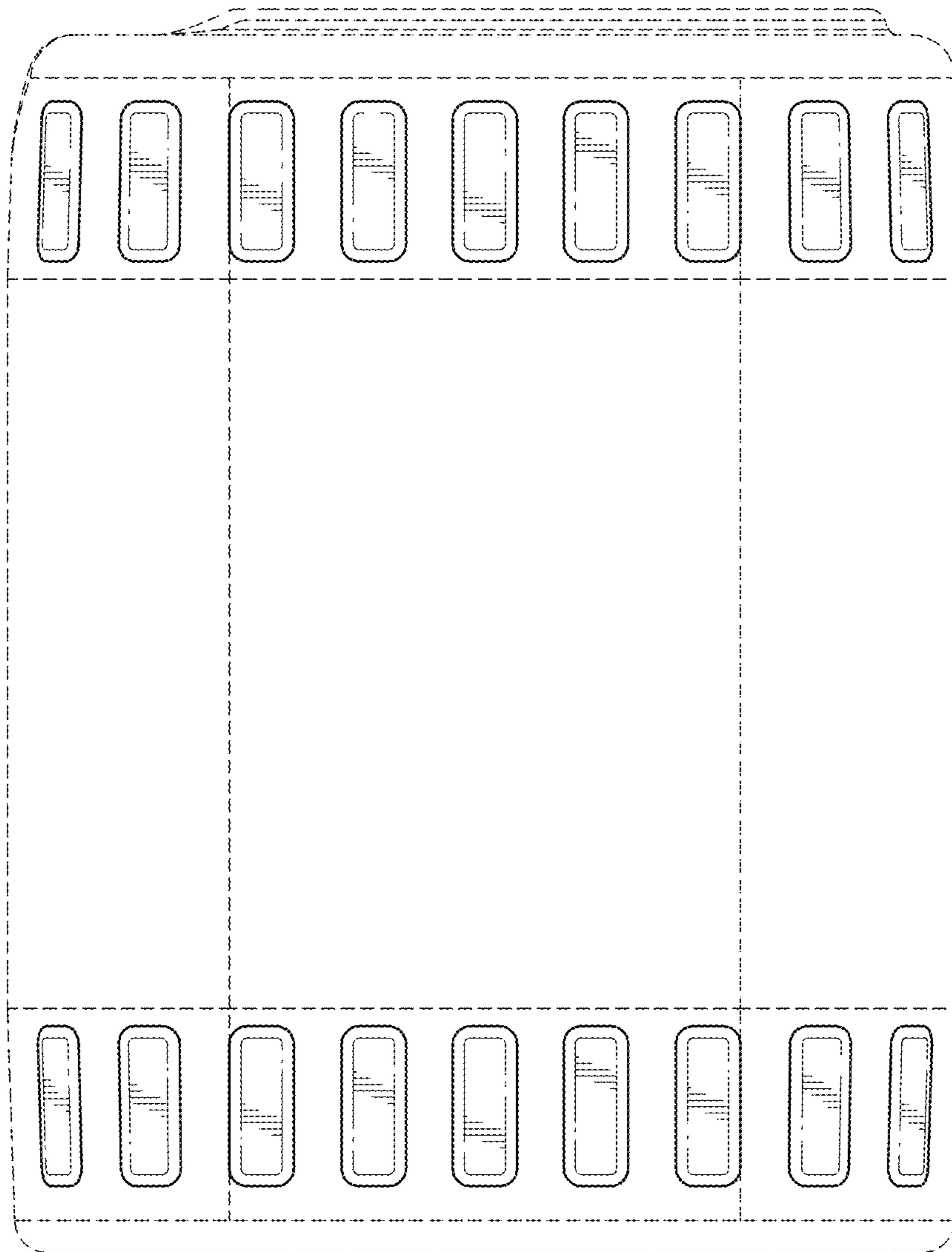


FIG. 6





*FIG. 7*

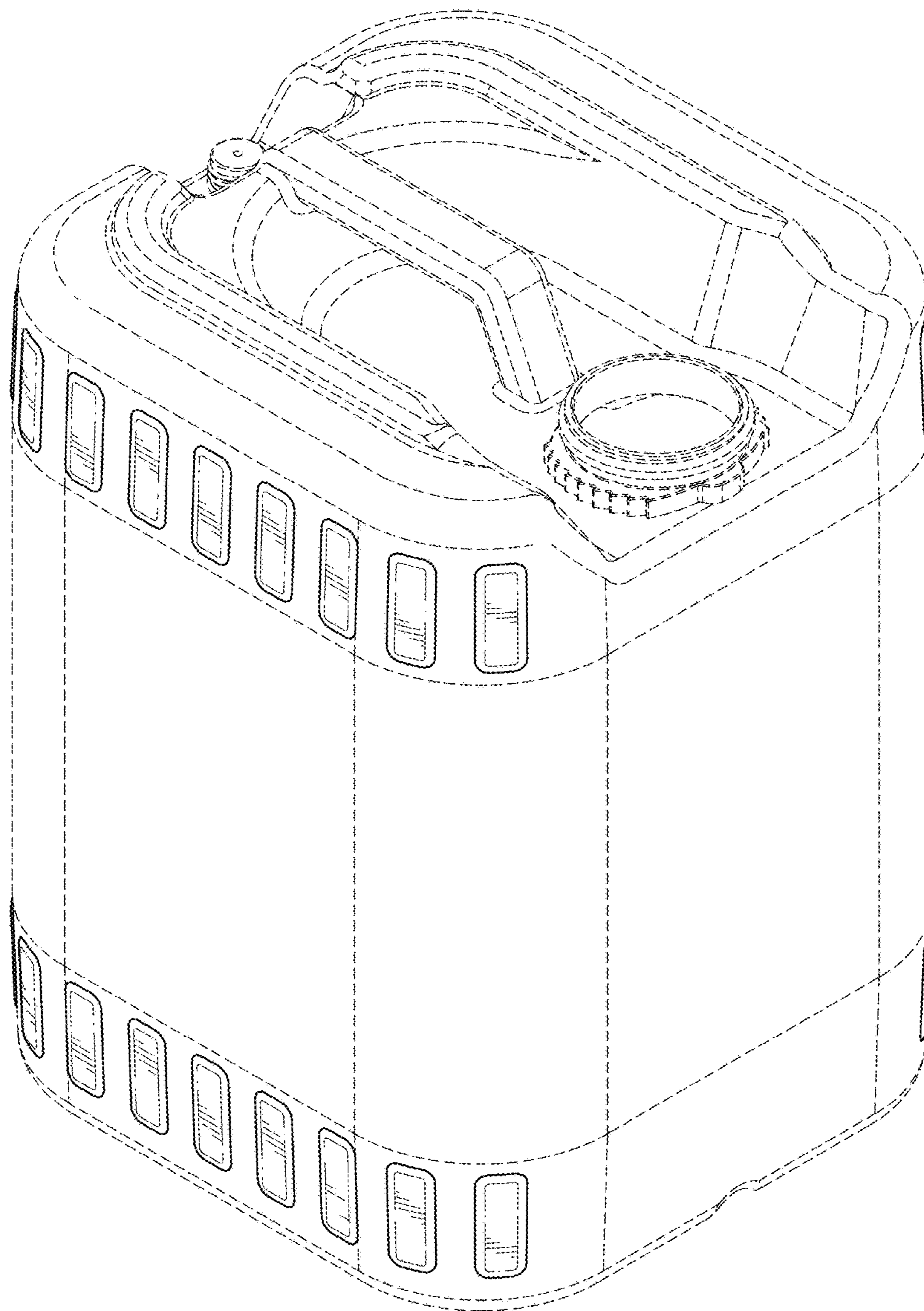
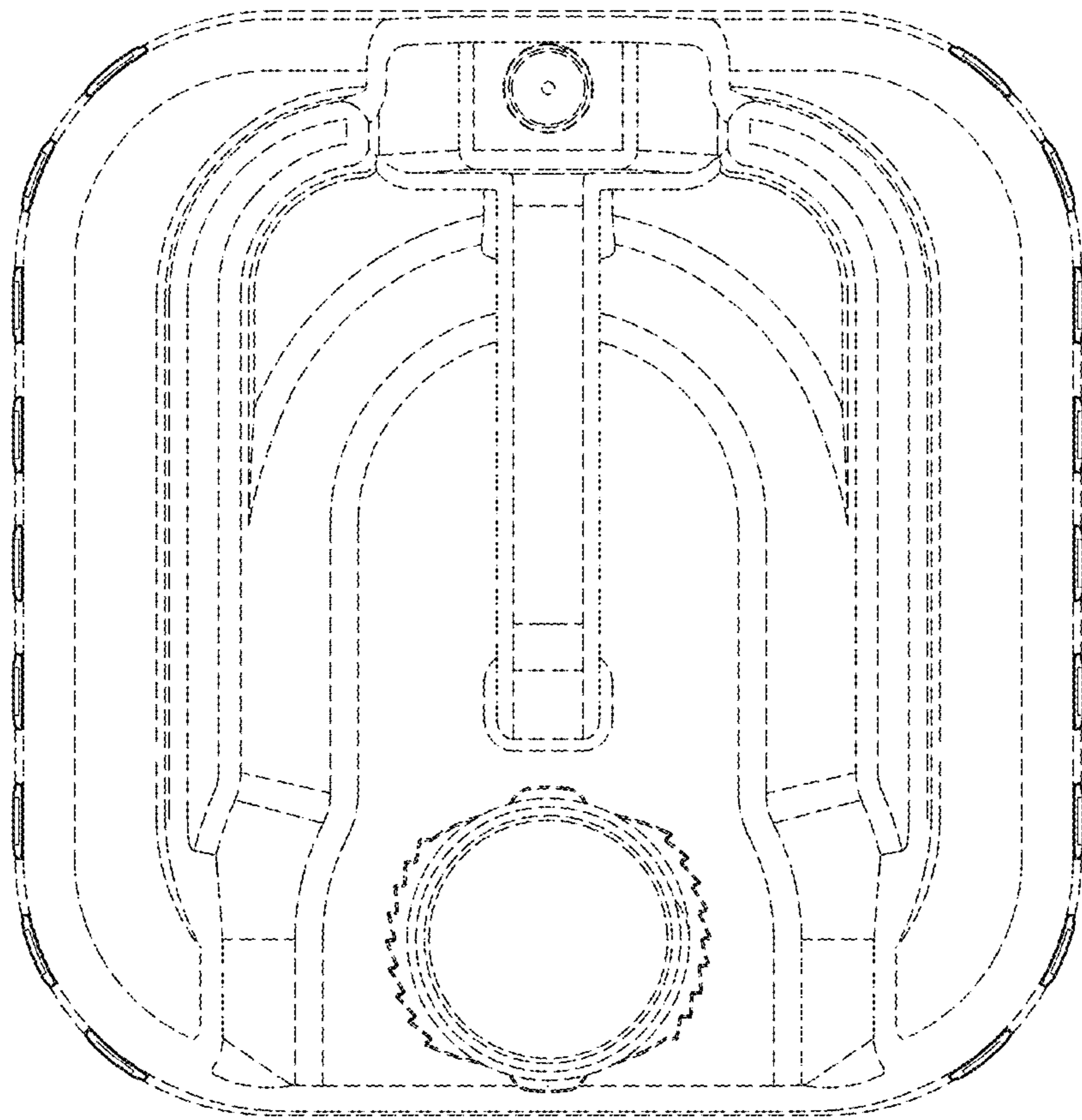
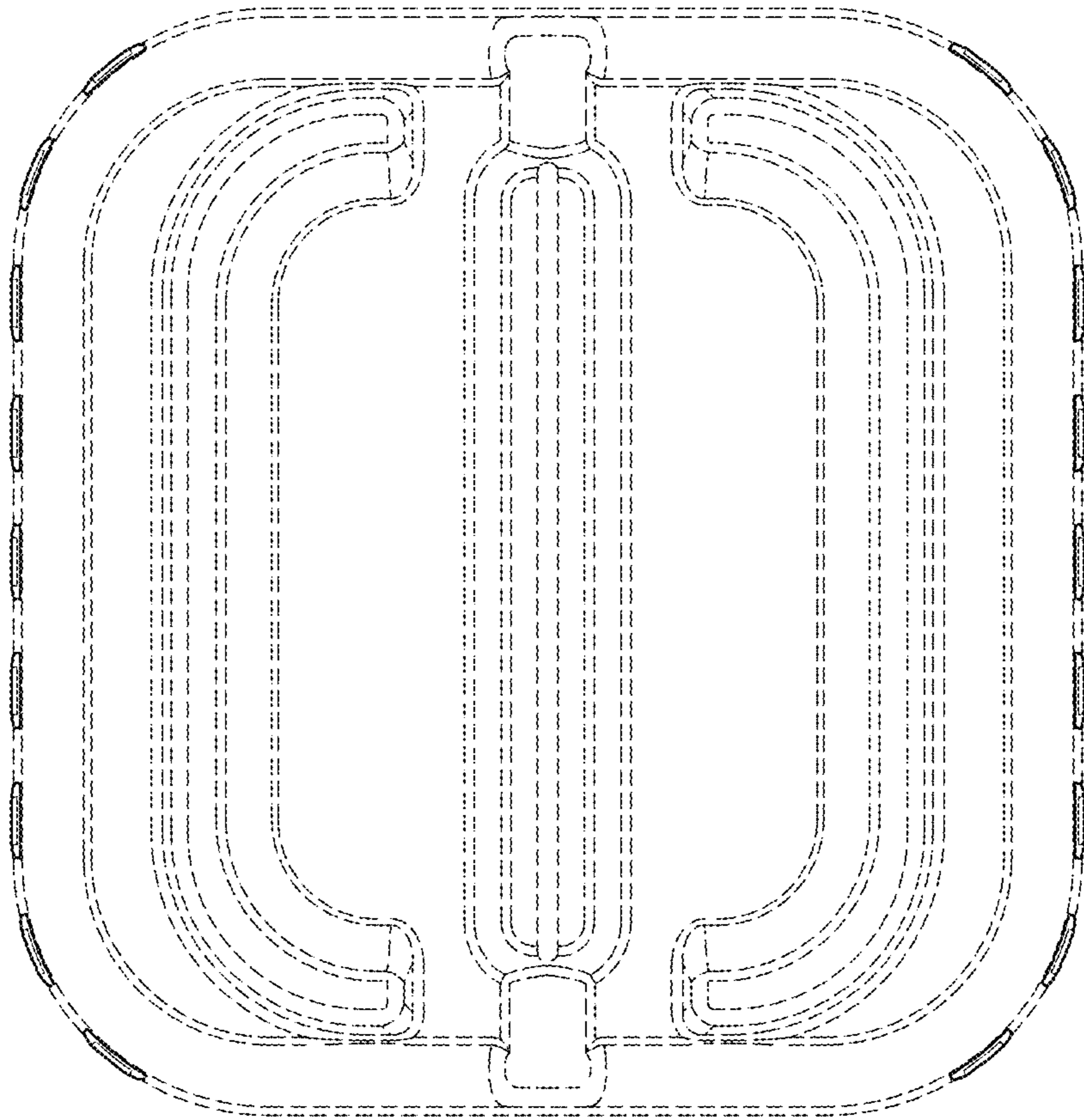


FIG. 8



*FIG. 9*



*FIG. 10*

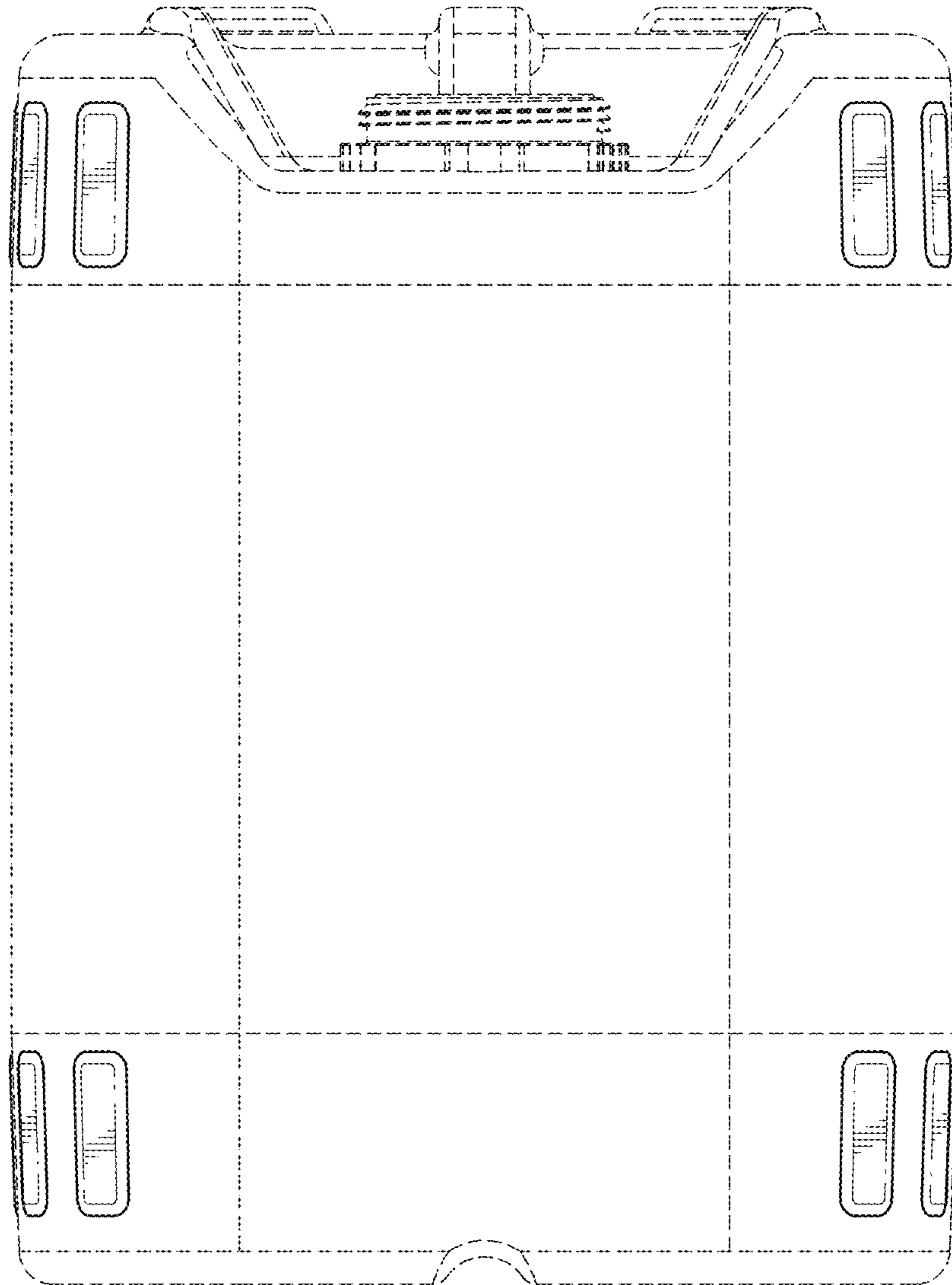


FIG. 11

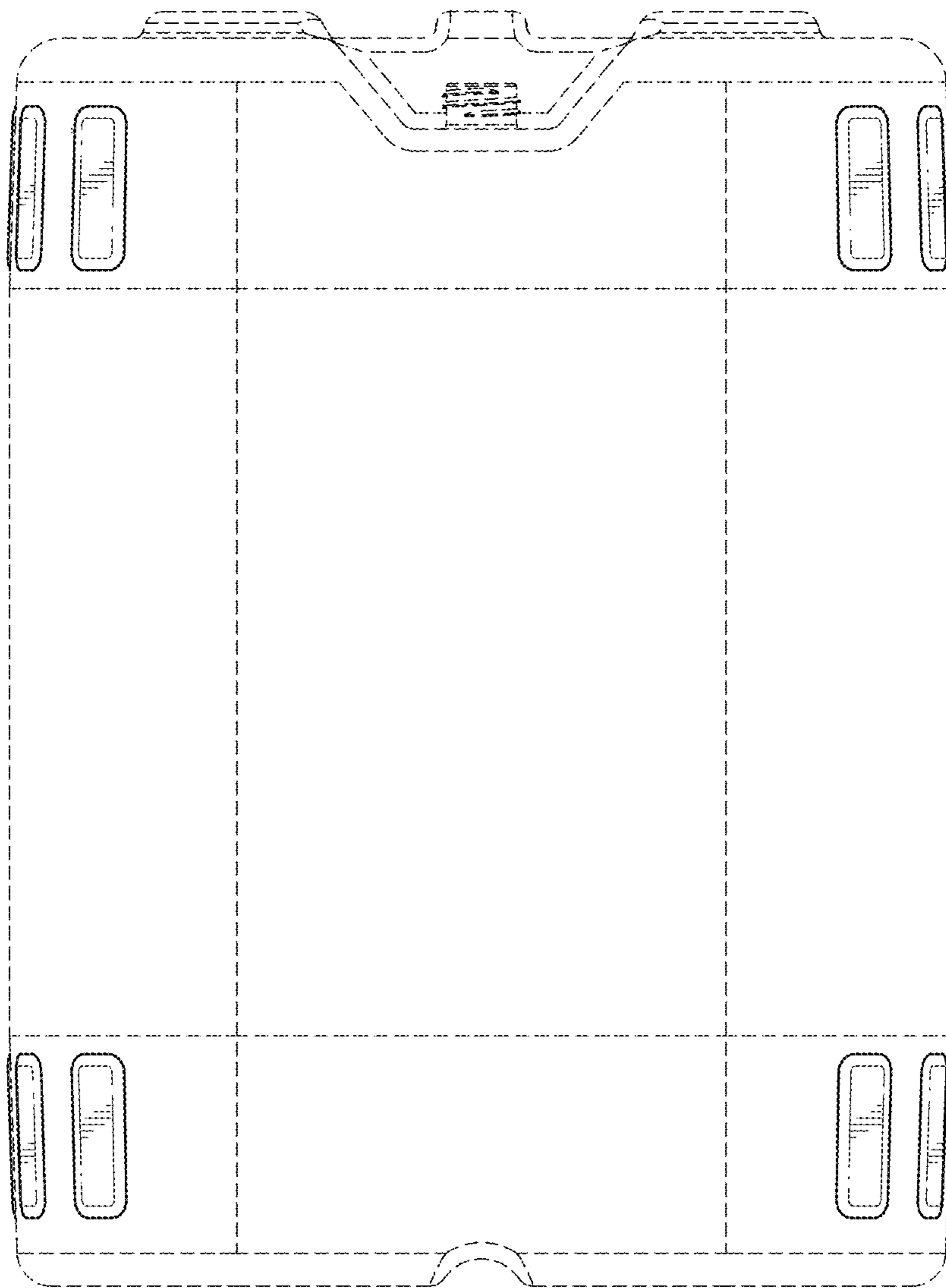


FIG. 12

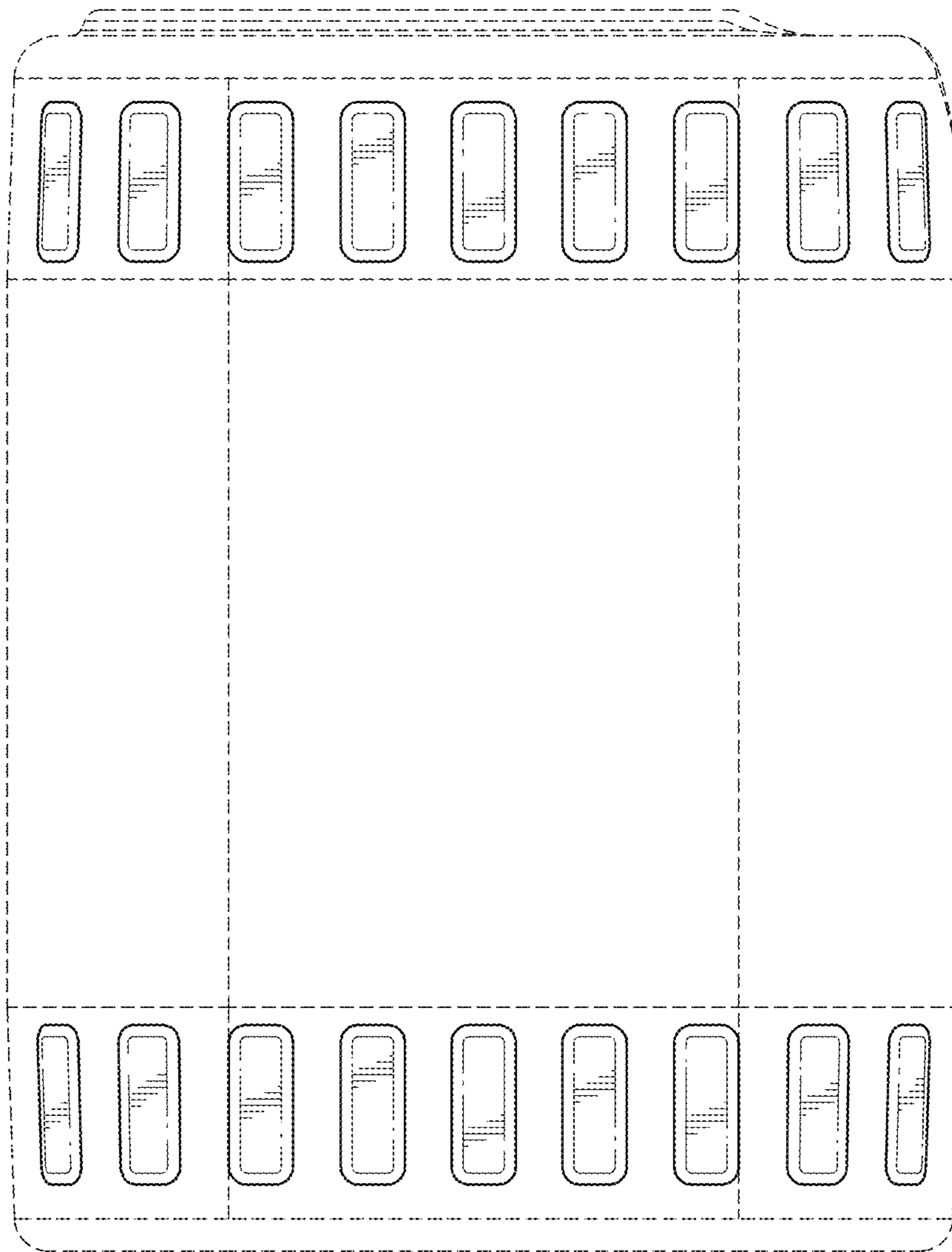


FIG. 13

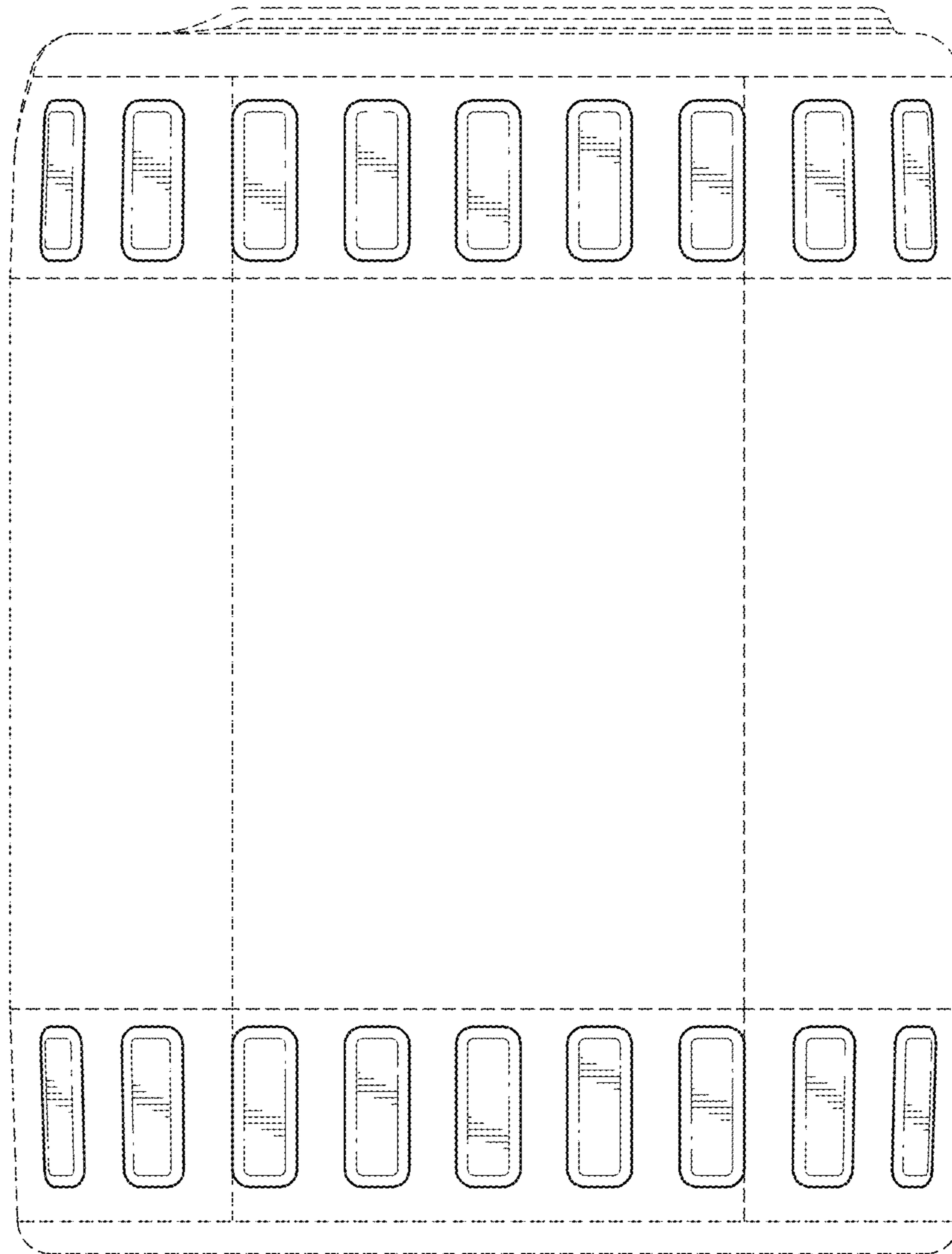


FIG. 14