



US00D855465S

(12) **United States Design Patent** (10) **Patent No.:** **US D855,465 S**
McCay (45) **Date of Patent:** **** Aug. 6, 2019**

(54) **OVER THE COUNTER MEDICINAL CONTAINER**

(71) Applicant: **Chattem Inc.**, Chattanooga, TN (US)

(72) Inventor: **James McCay**, Fairfield, CT (US)

(73) Assignee: **Chattem Inc.**, Chattanooga, TN (US)

(**) Term: **15 Years**

(21) Appl. No.: **29/592,690**

(22) Filed: **Feb. 1, 2017**

(51) **LOC (12) Cl.** **09-01**

(52) **U.S. Cl.**
USPC **D9/504**; D9/452; D9/454; D9/520

(58) **Field of Classification Search**
USPC D9/434-435, 444-445, 449, 452-454,
D9/500, 503-504, 516, 520, 529, 549,
D9/558, 715; D3/203.2, 302; D7/608,
D7/629-630

CPC B65D 1/00; B65D 1/02; B65D 1/0223;
B65D 23/00; B65D 81/00; B65D
2501/00; B65D 2501/0009

See application file for complete search history.

(56) **References Cited**

U.S. PATENT DOCUMENTS

D25,097 S *	1/1896	Macarthy	D9/503
D321,643 S *	11/1991	Katada	D9/435
D321,644 S *	11/1991	Katada	D9/503
D321,645 S *	11/1991	Katada	D9/503
D386,949 S *	12/1997	McArdle	D7/590
D405,371 S *	2/1999	Herr	D9/443
5,909,976 A *	6/1999	Maeda	B65D 51/32 401/122
D421,223 S *	2/2000	Briere	D9/438
D421,389 S *	3/2000	Briere	D9/438
D426,159 S *	6/2000	Briere	D9/438
D448,247 S *	9/2001	Hong	D7/591
D519,843 S *	5/2006	Forte	D9/556

D521,871 S *	5/2006	Forte	D9/556
D593,372 S *	6/2009	Carreno	D7/608
D611,346 S *	3/2010	Camomile	D9/504
D839,741 S *	2/2019	Hawry	D9/504

* cited by examiner

Primary Examiner — Dana Meyrow

(74) *Attorney, Agent, or Firm* — Saidman DesignLaw Group, LLC

(57) **CLAIM**

The ornamental design for an over the counter medicinal container, as shown and described.

DESCRIPTION

FIG. 1 is a top perspective view of an over the counter medicinal container showing my new design, in a closed configuration;

FIG. 2 is a bottom perspective view thereof;

FIG. 3 is a front view thereof;

FIG. 4 is a right side view thereof;

FIG. 5 is a left side view thereof;

FIG. 6 is a rear side view thereof;

FIG. 7 is a top view thereof;

FIG. 8 is a bottom view thereof;

FIG. 9 is a top perspective view of an over the counter medicinal container according to a second embodiment of my new design;

FIG. 10 is a bottom perspective view thereof;

FIG. 11 is a front view thereof;

FIG. 12 is a right side view thereof;

FIG. 13 is a left side view thereof;

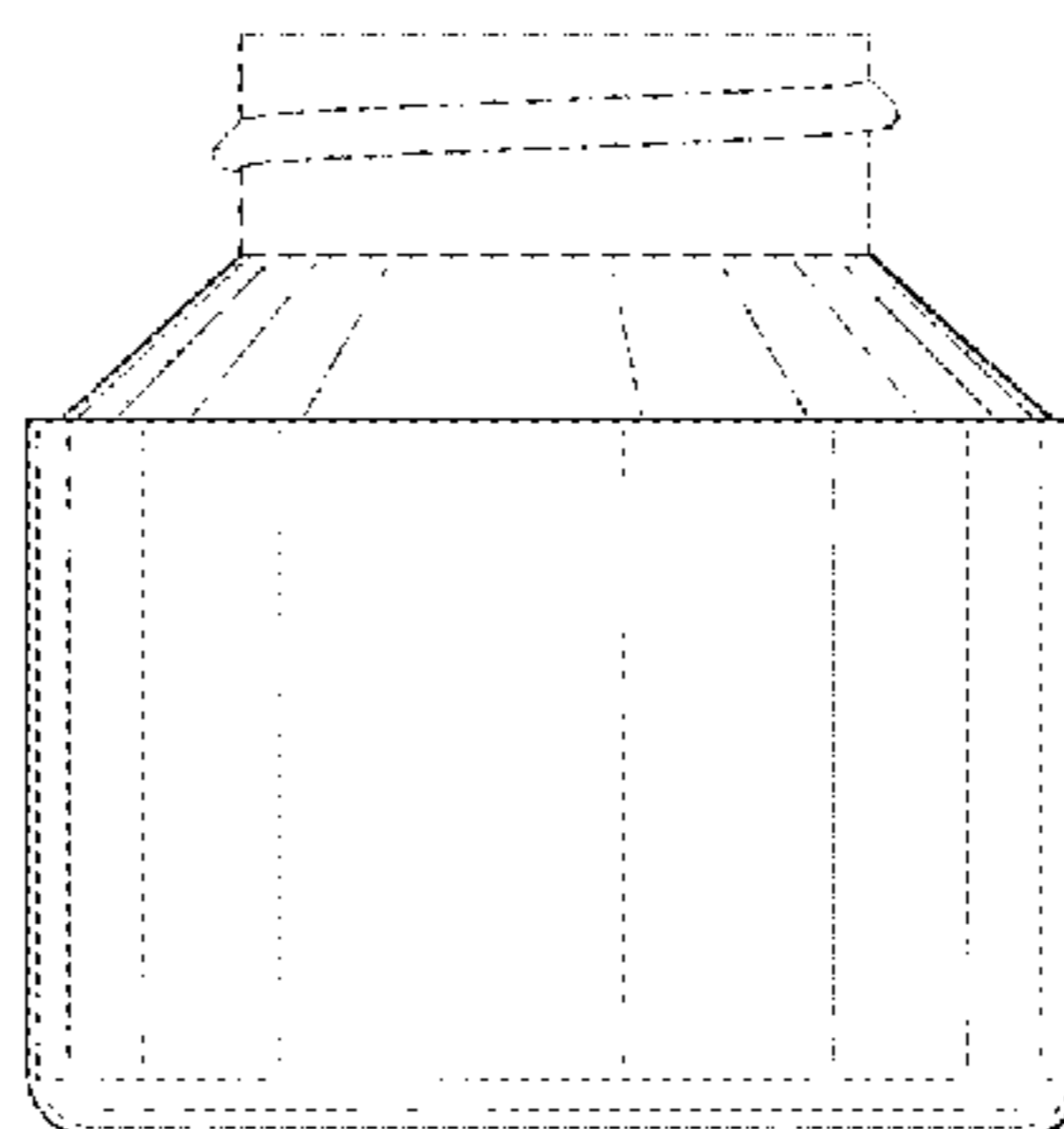
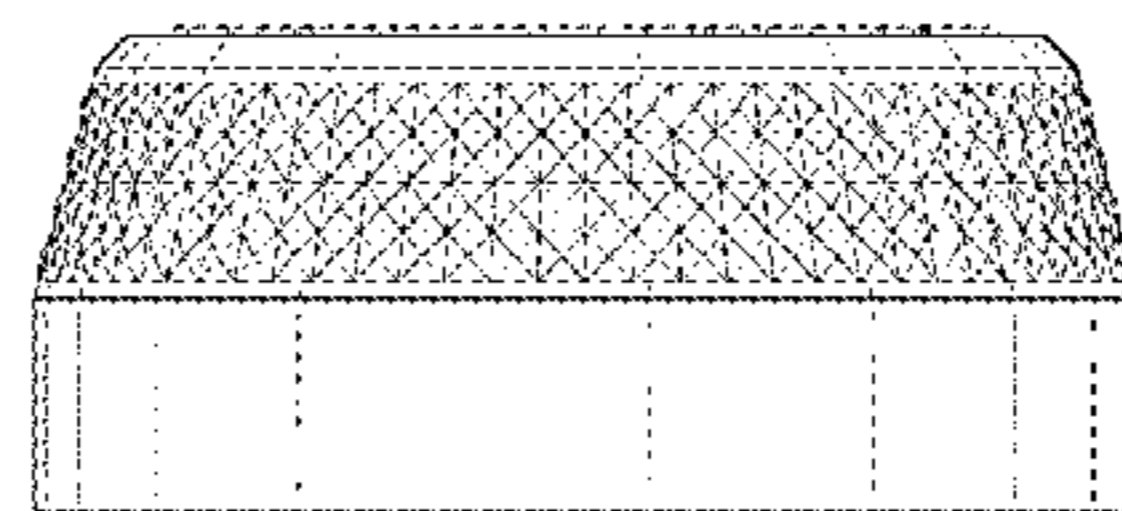
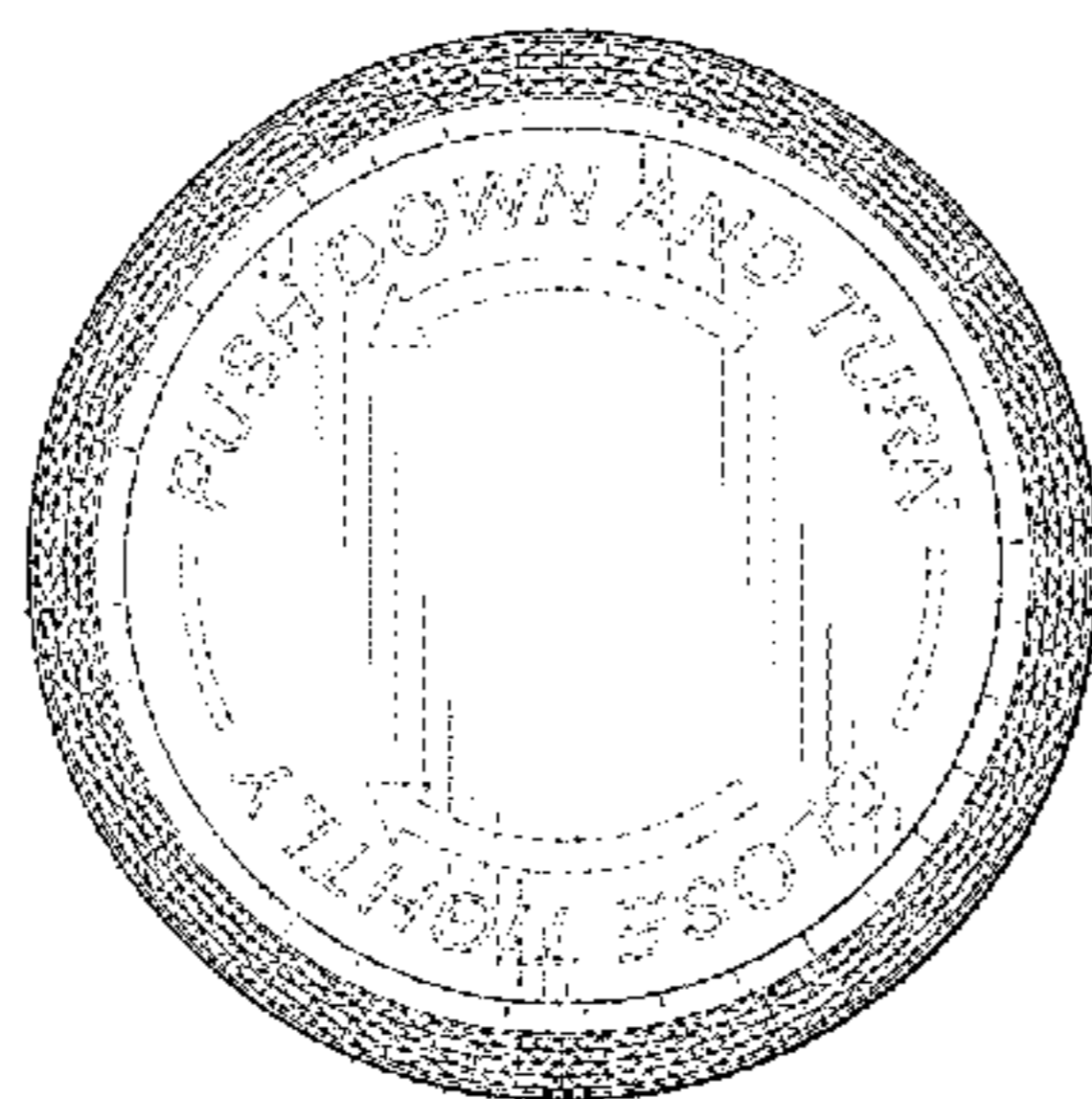
FIG. 14 is a rear side view thereof;

FIG. 15 is a top view thereof; and,

FIG. 16 is a bottom view thereof.

The evenly spaced broken lines show unclaimed subject matter only and form no part of the claimed design.

1 Claim, 11 Drawing Sheets



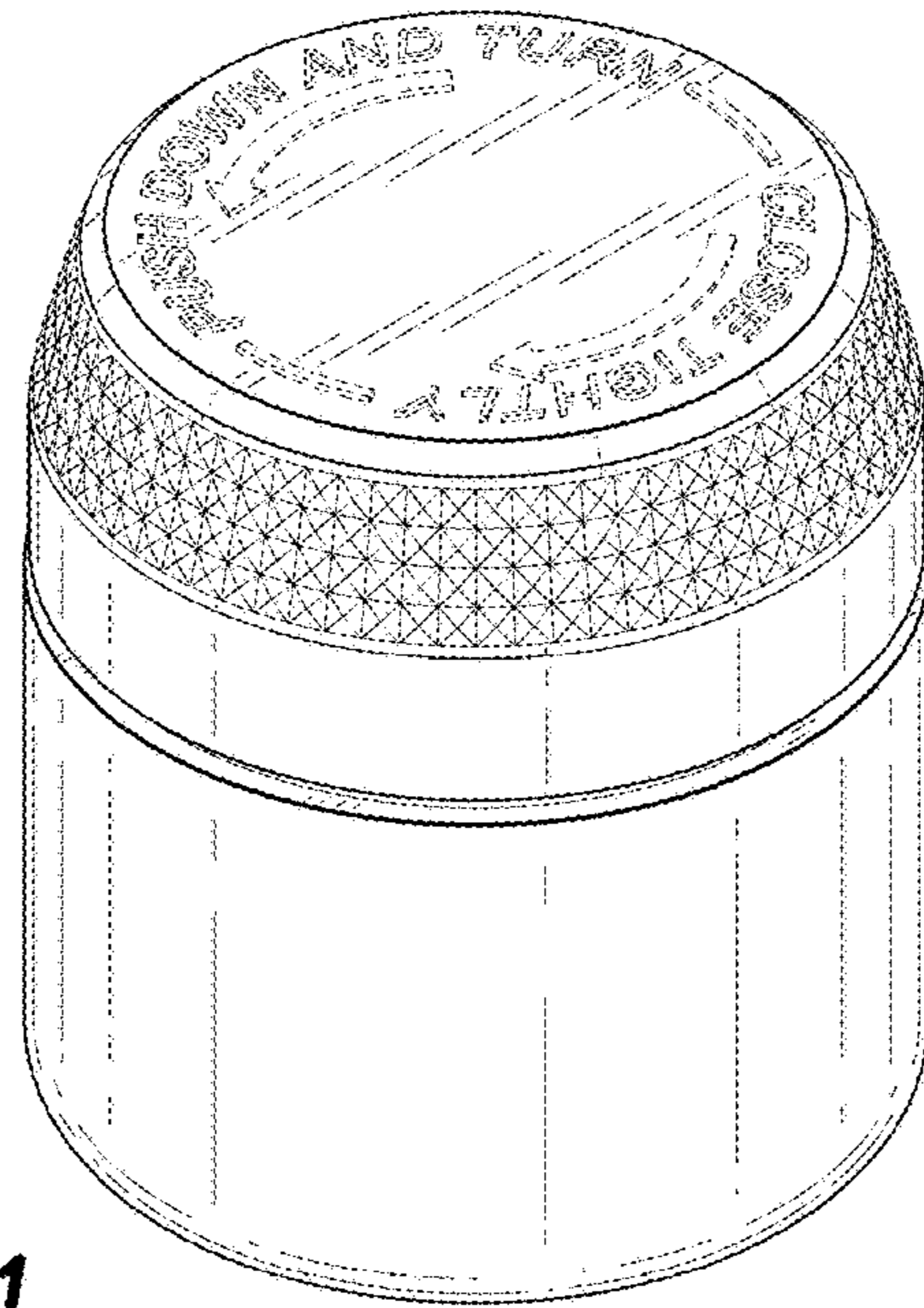


FIG. 1

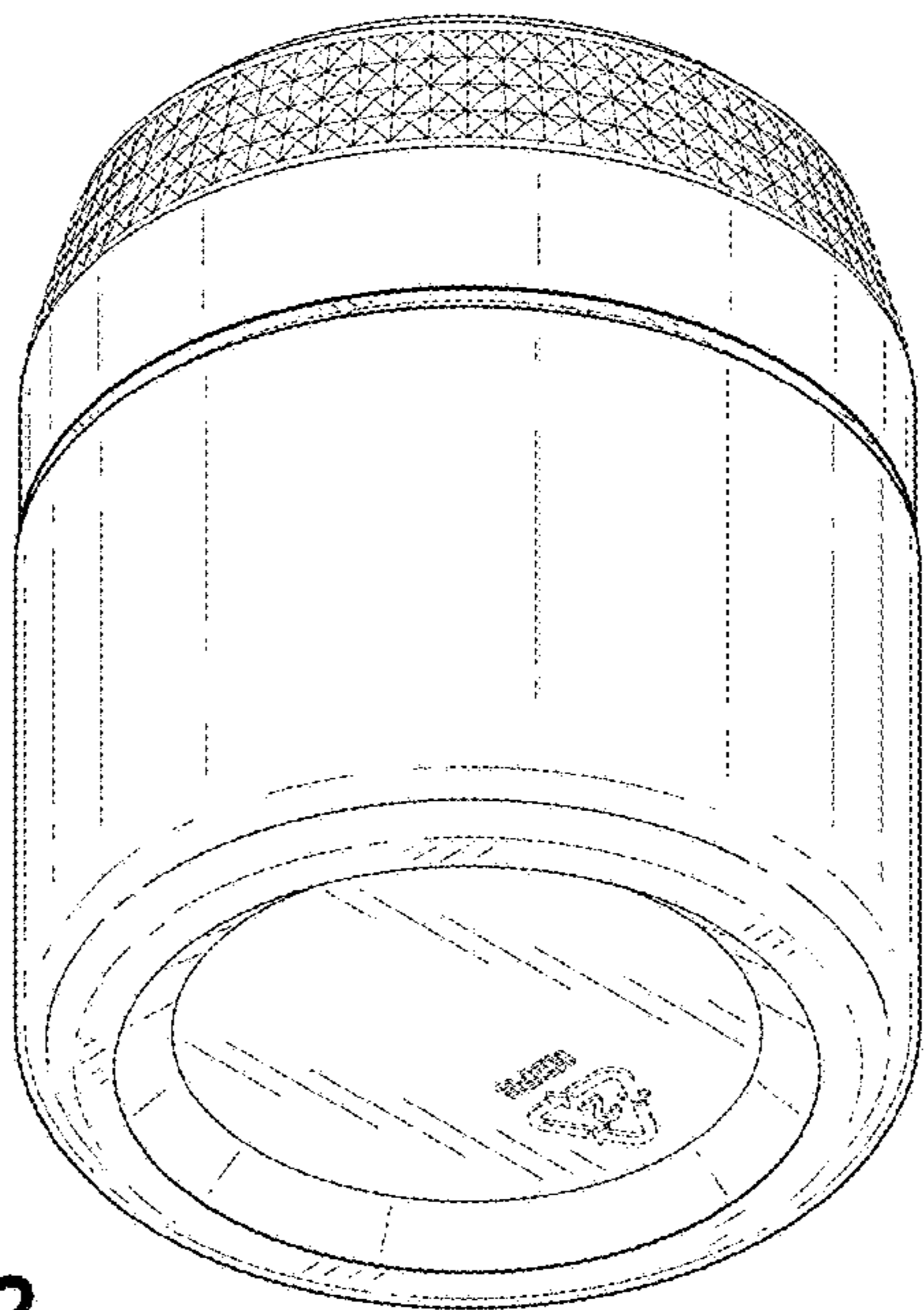


FIG. 2

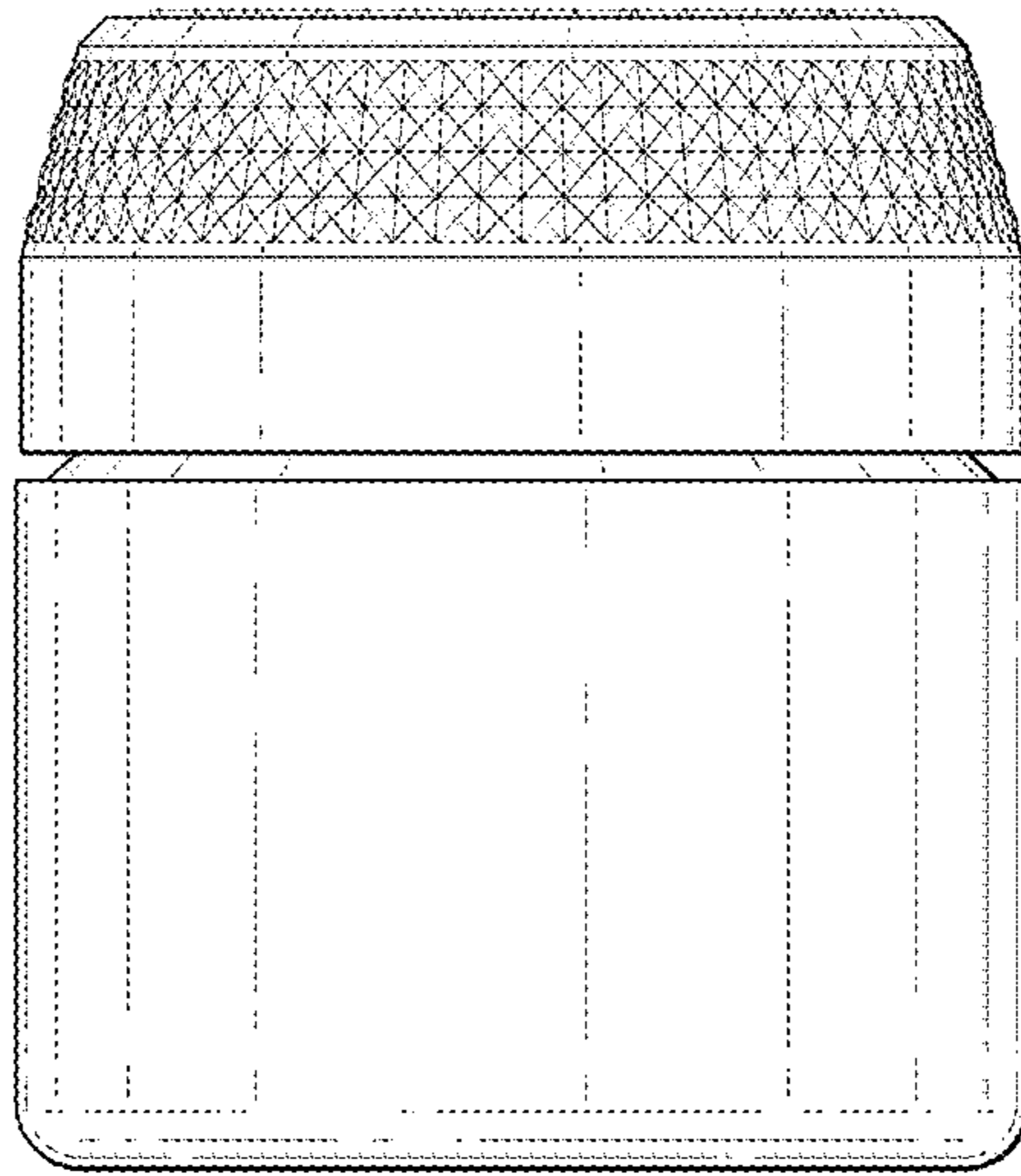


FIG. 3

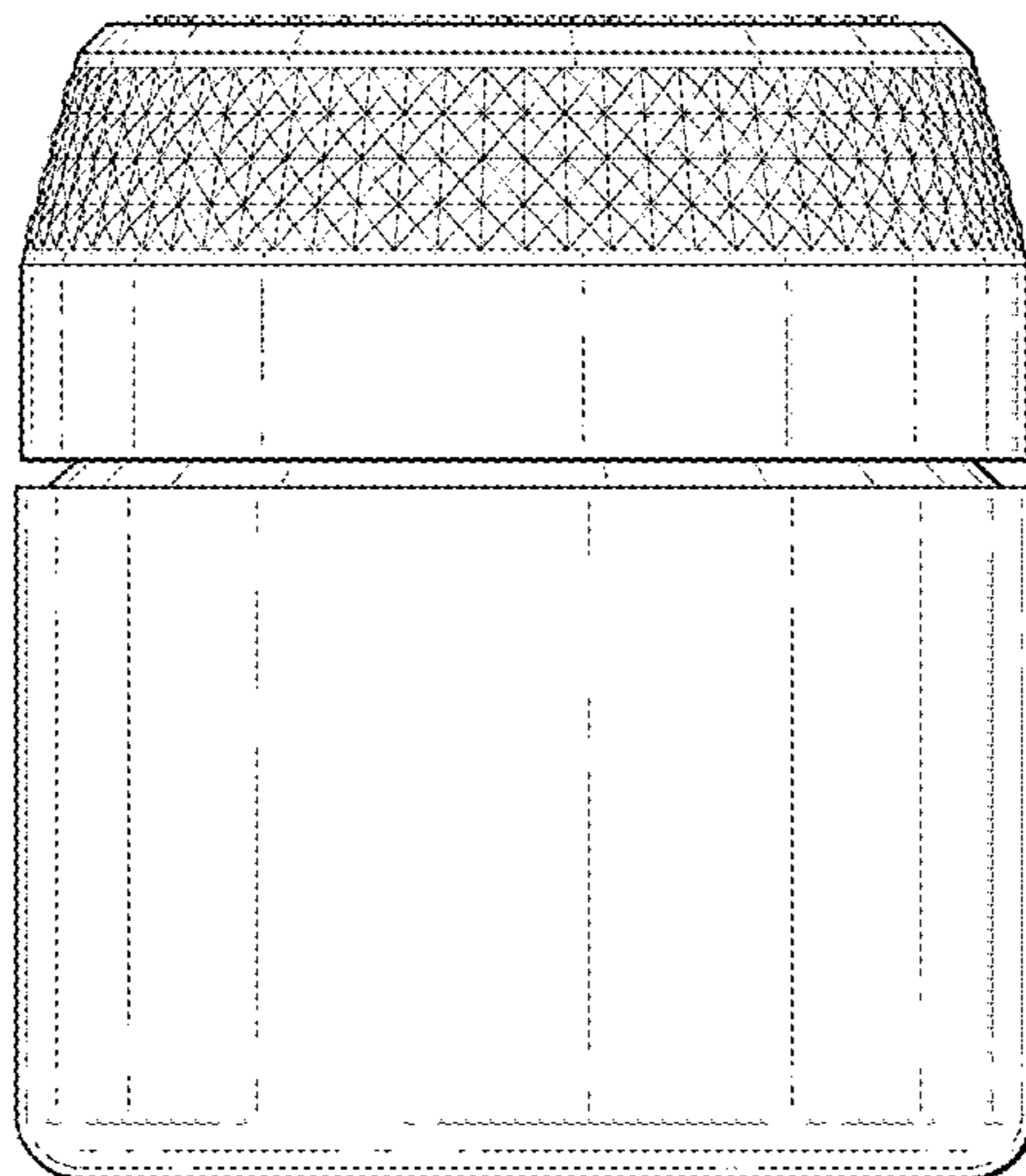


FIG. 4

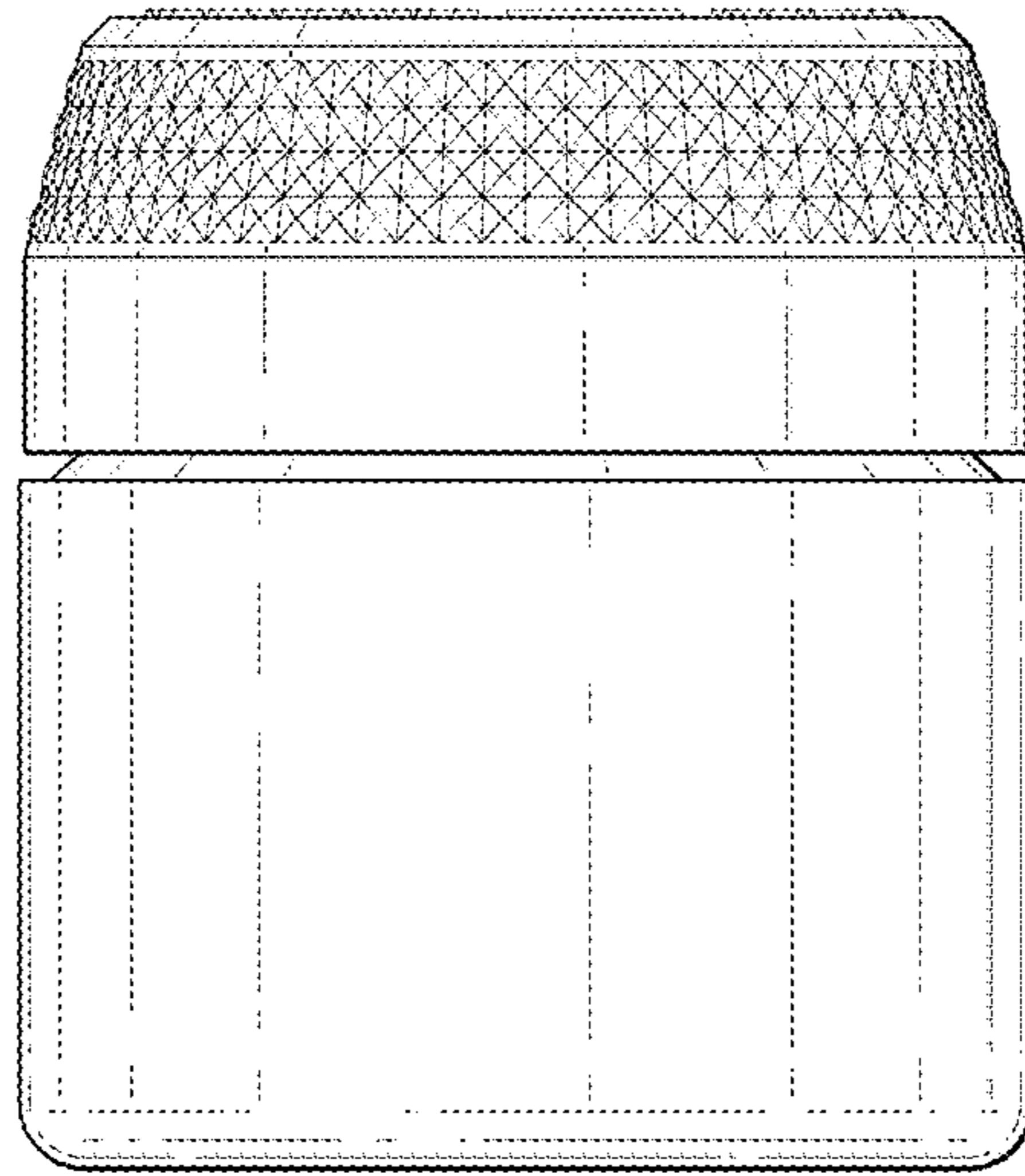


FIG. 5

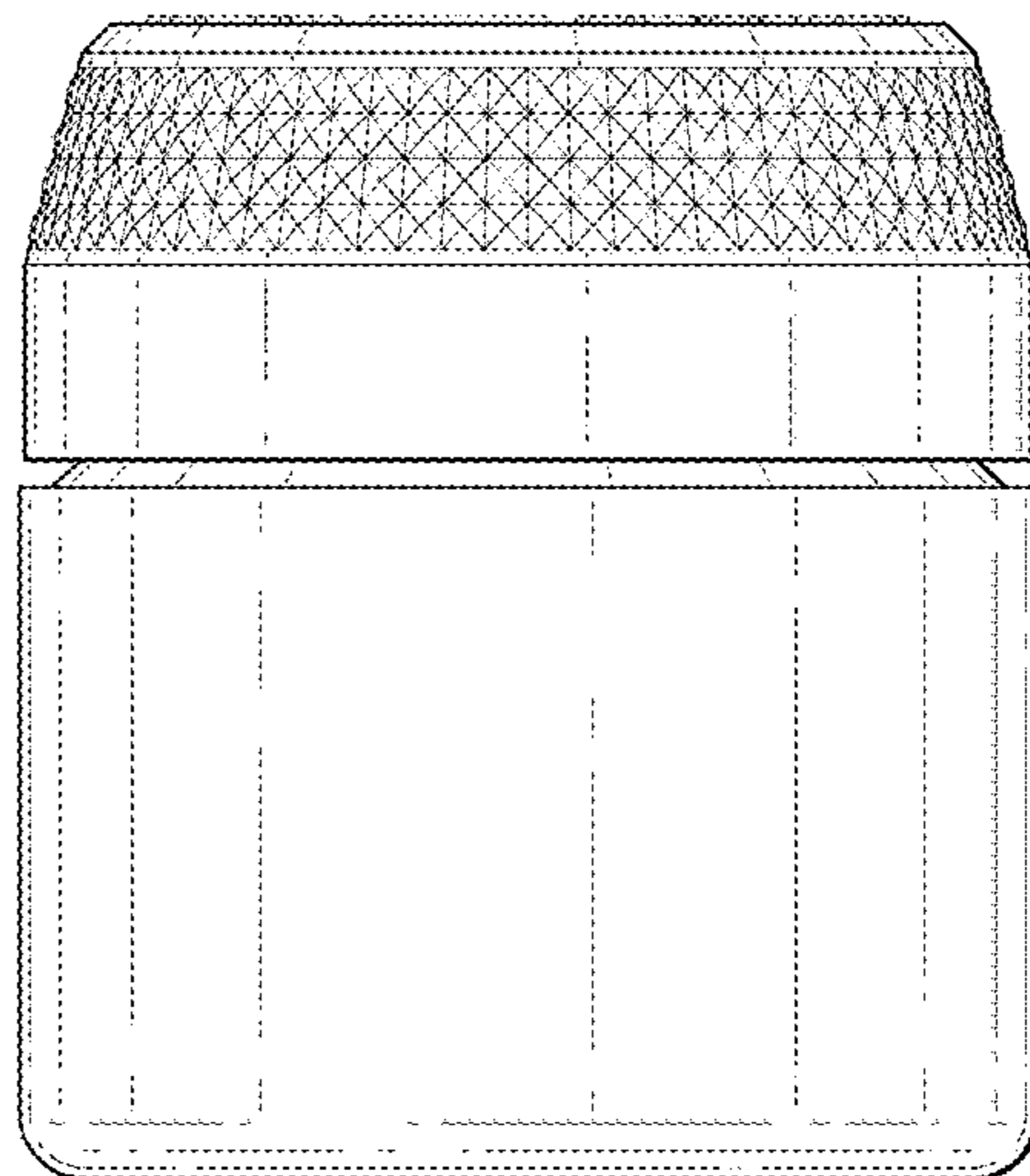


FIG. 6

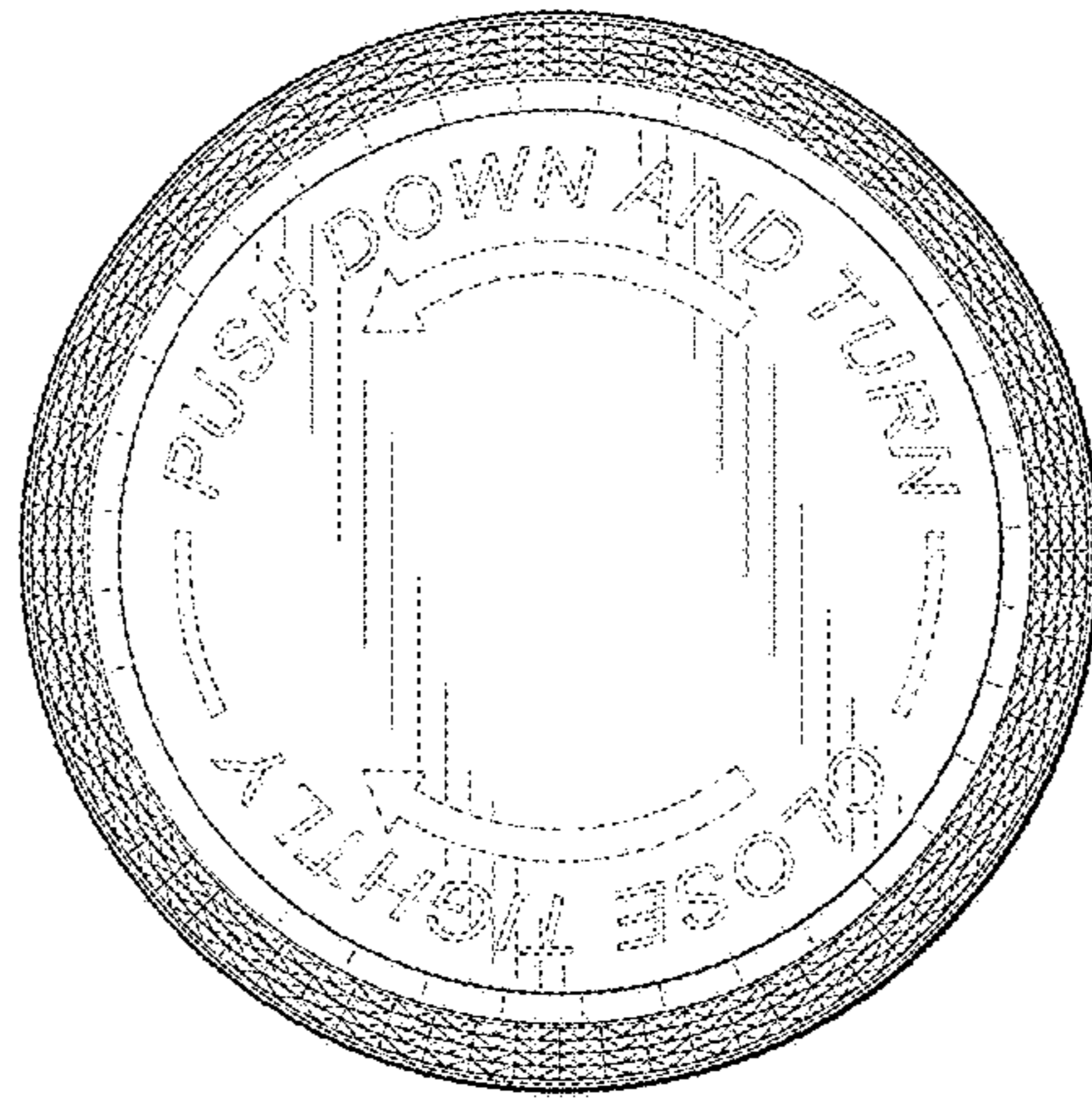


FIG. 7

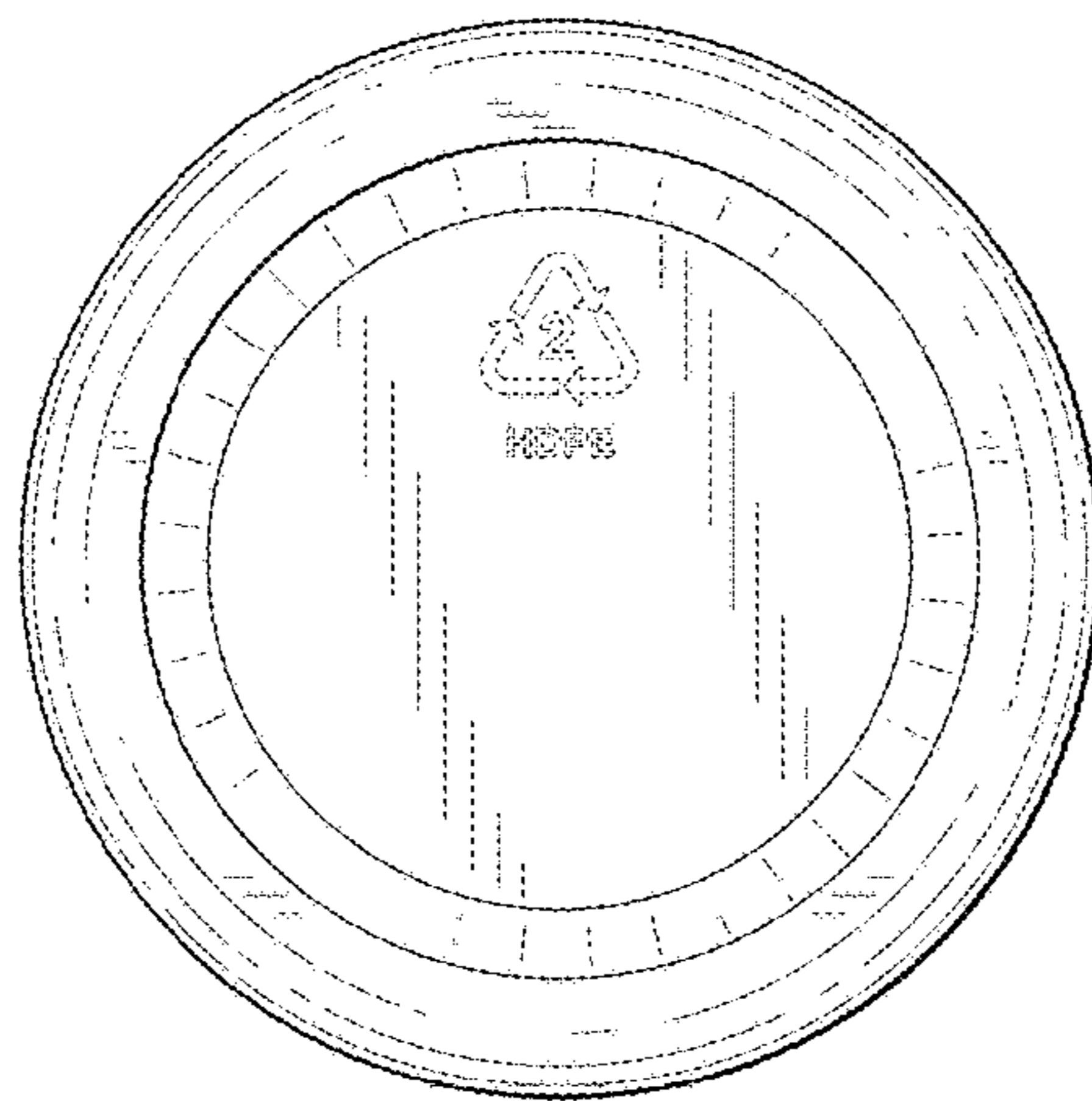


FIG. 8

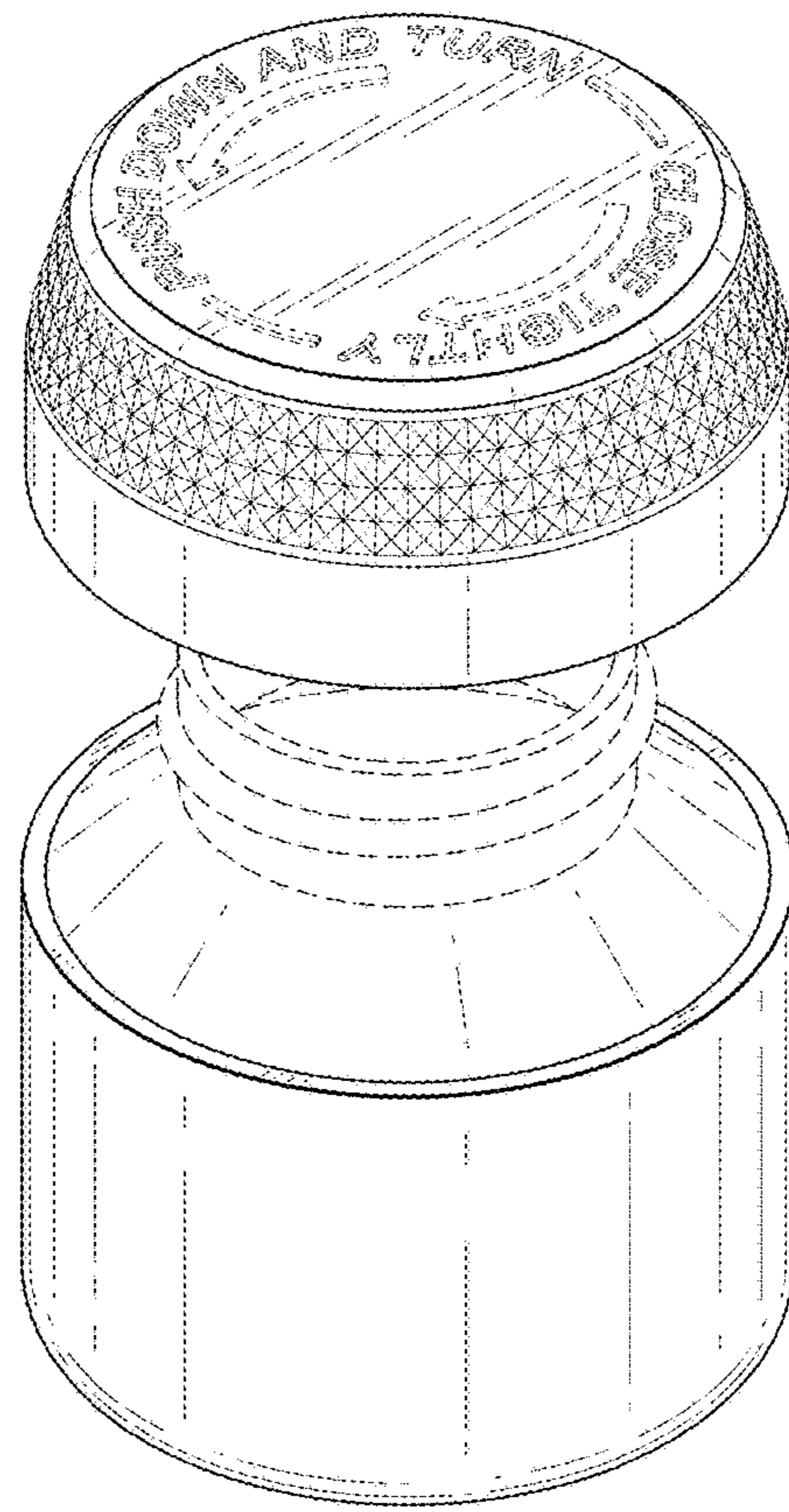


FIG. 9

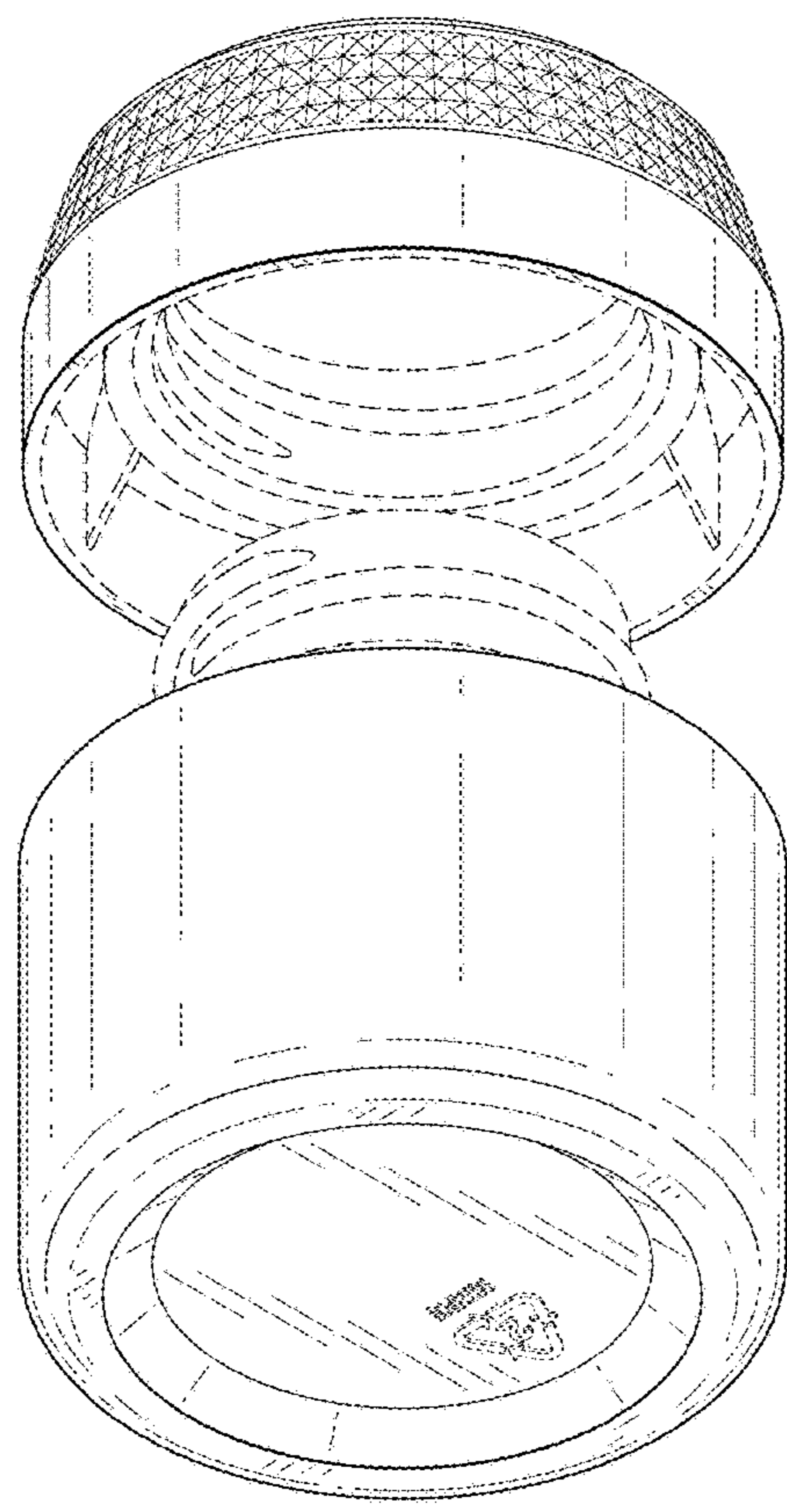


FIG. 10

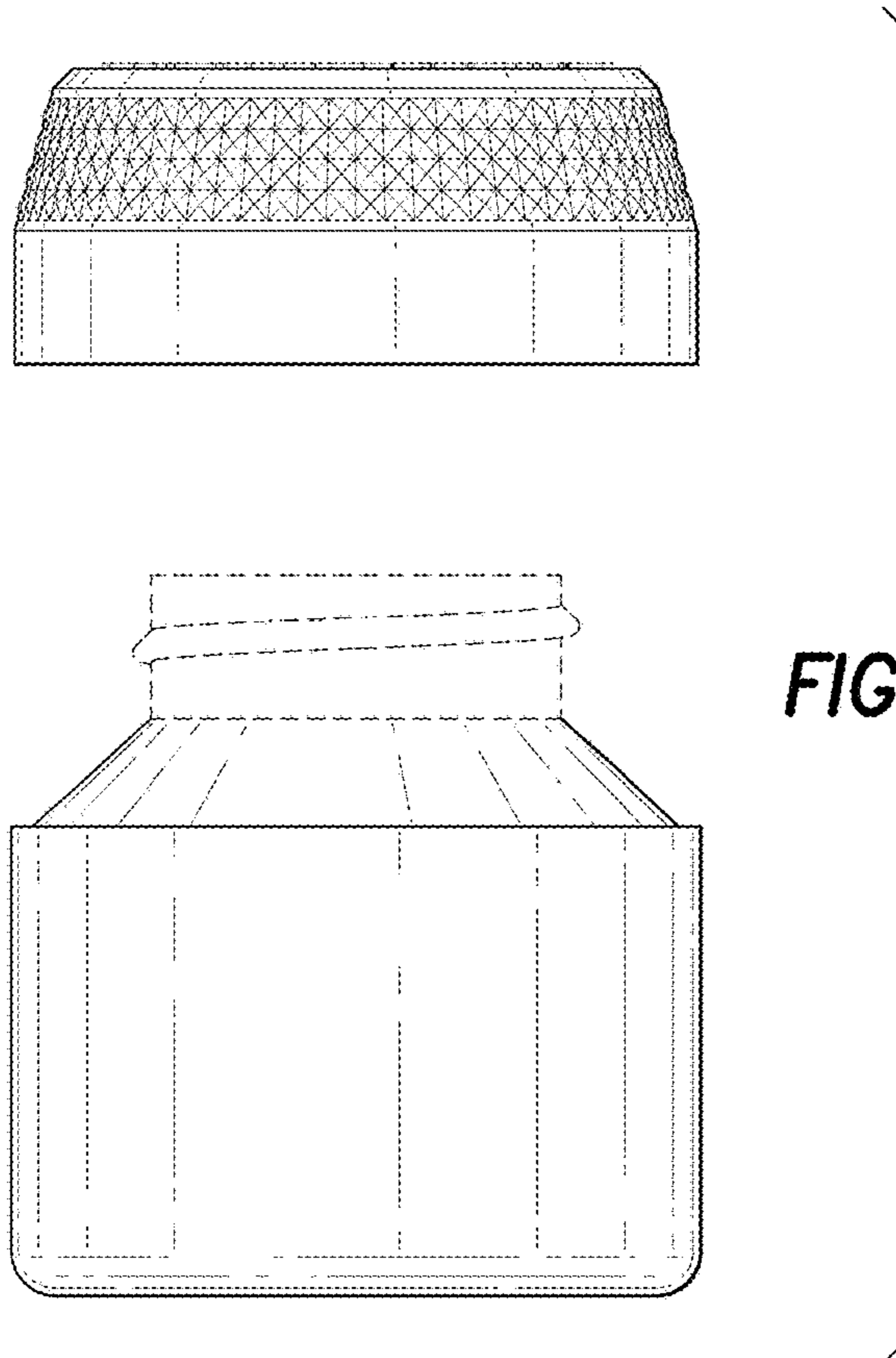


FIG. 11

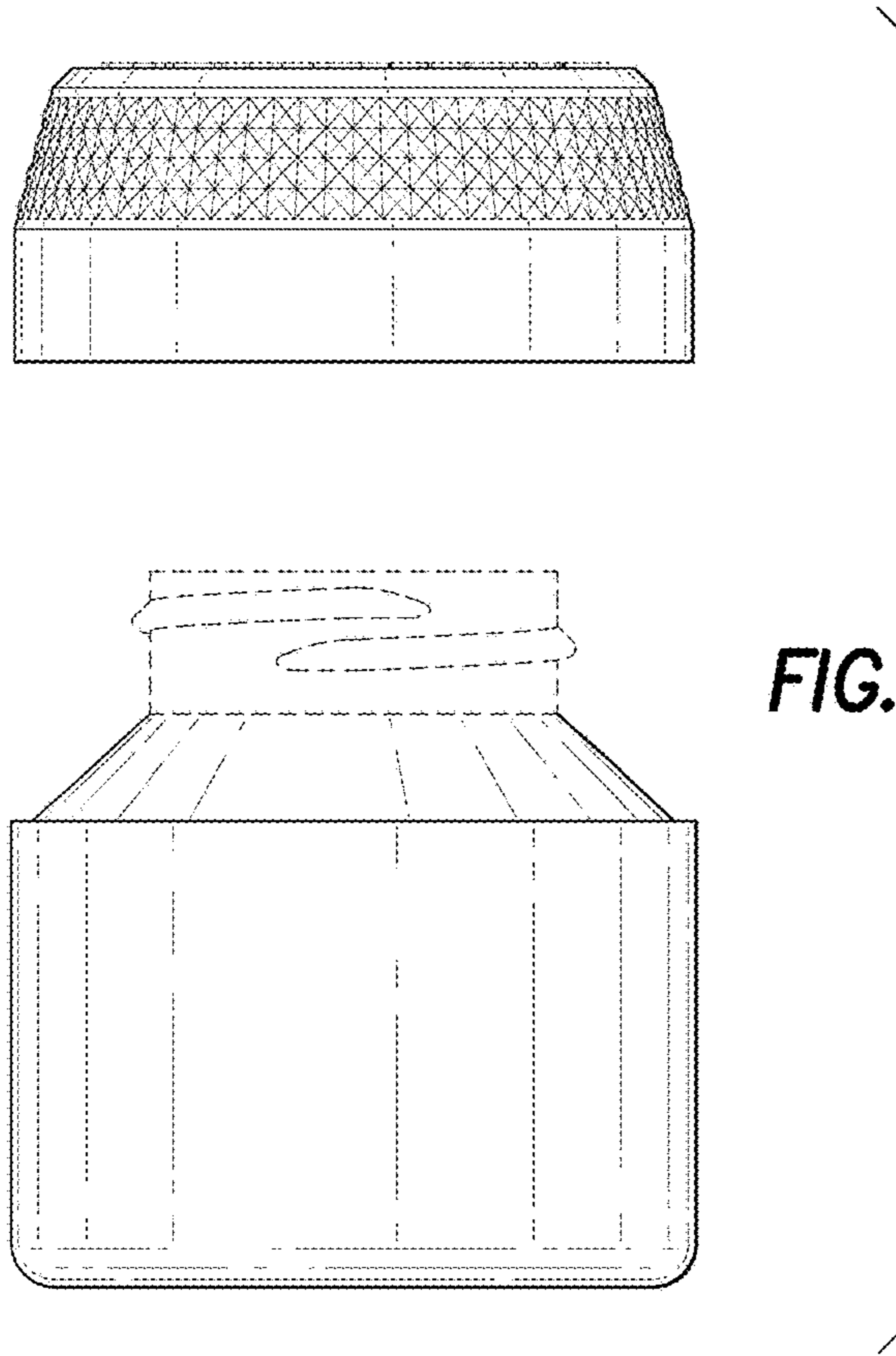
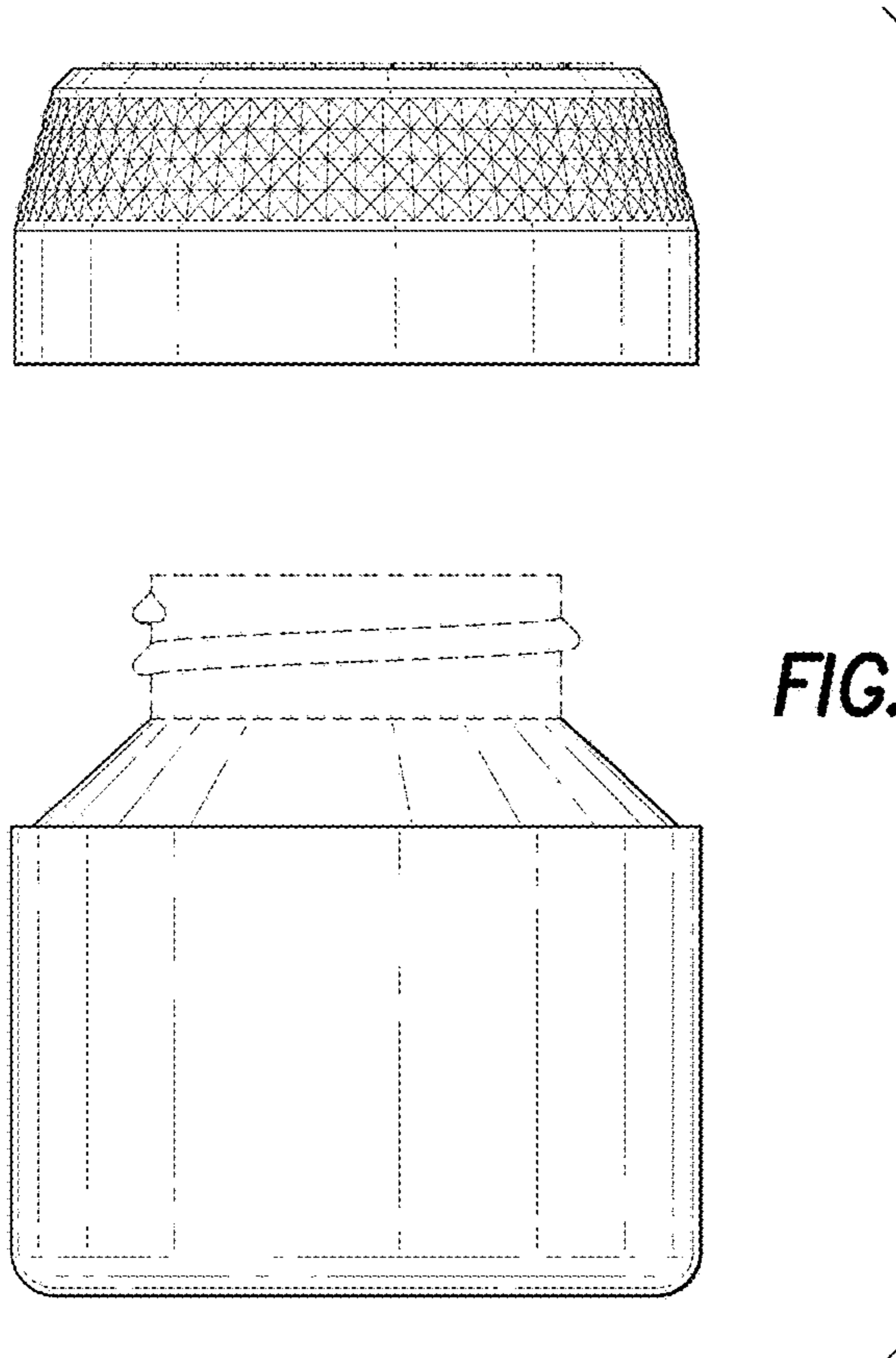


FIG. 12



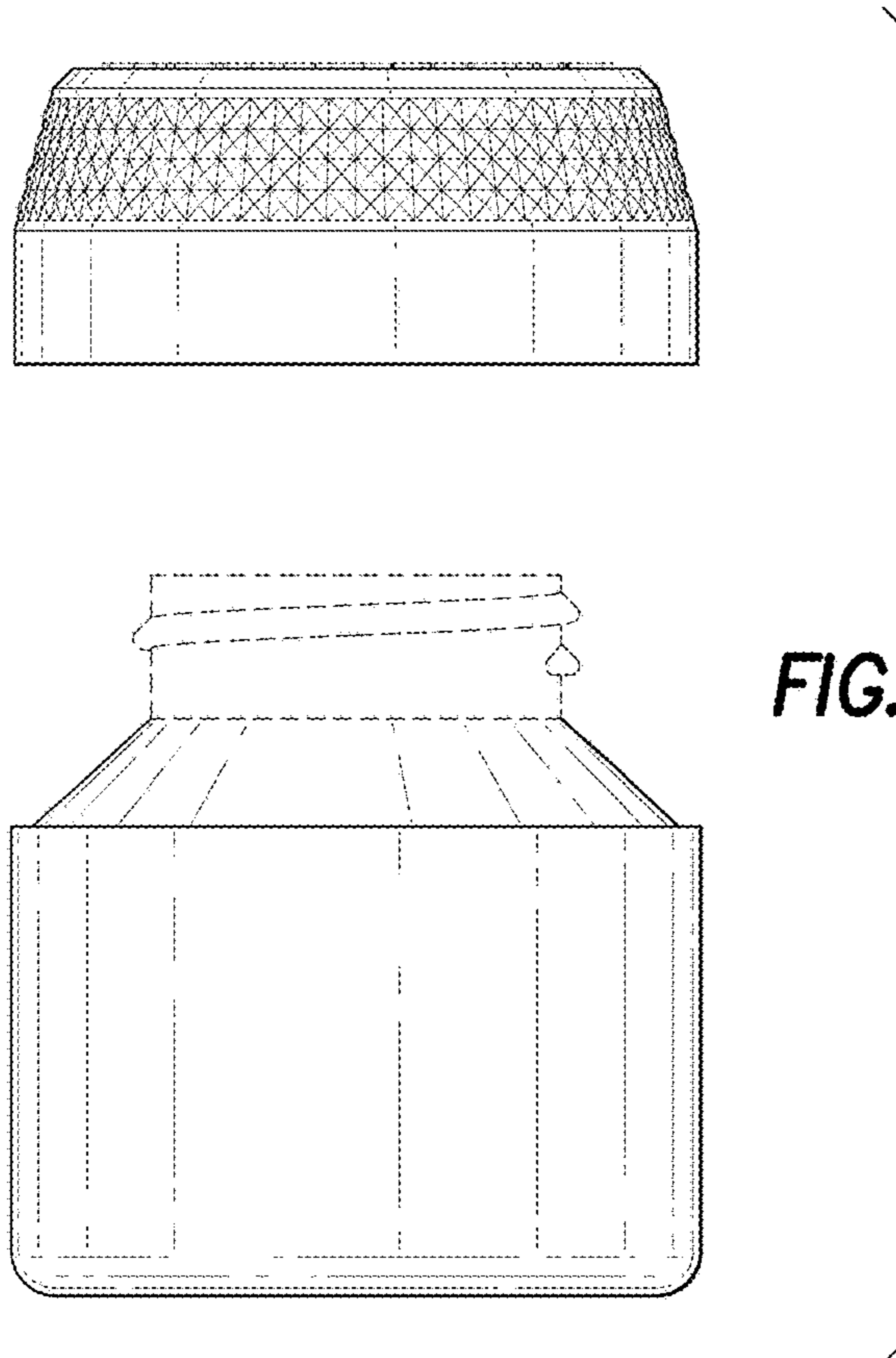


FIG. 14

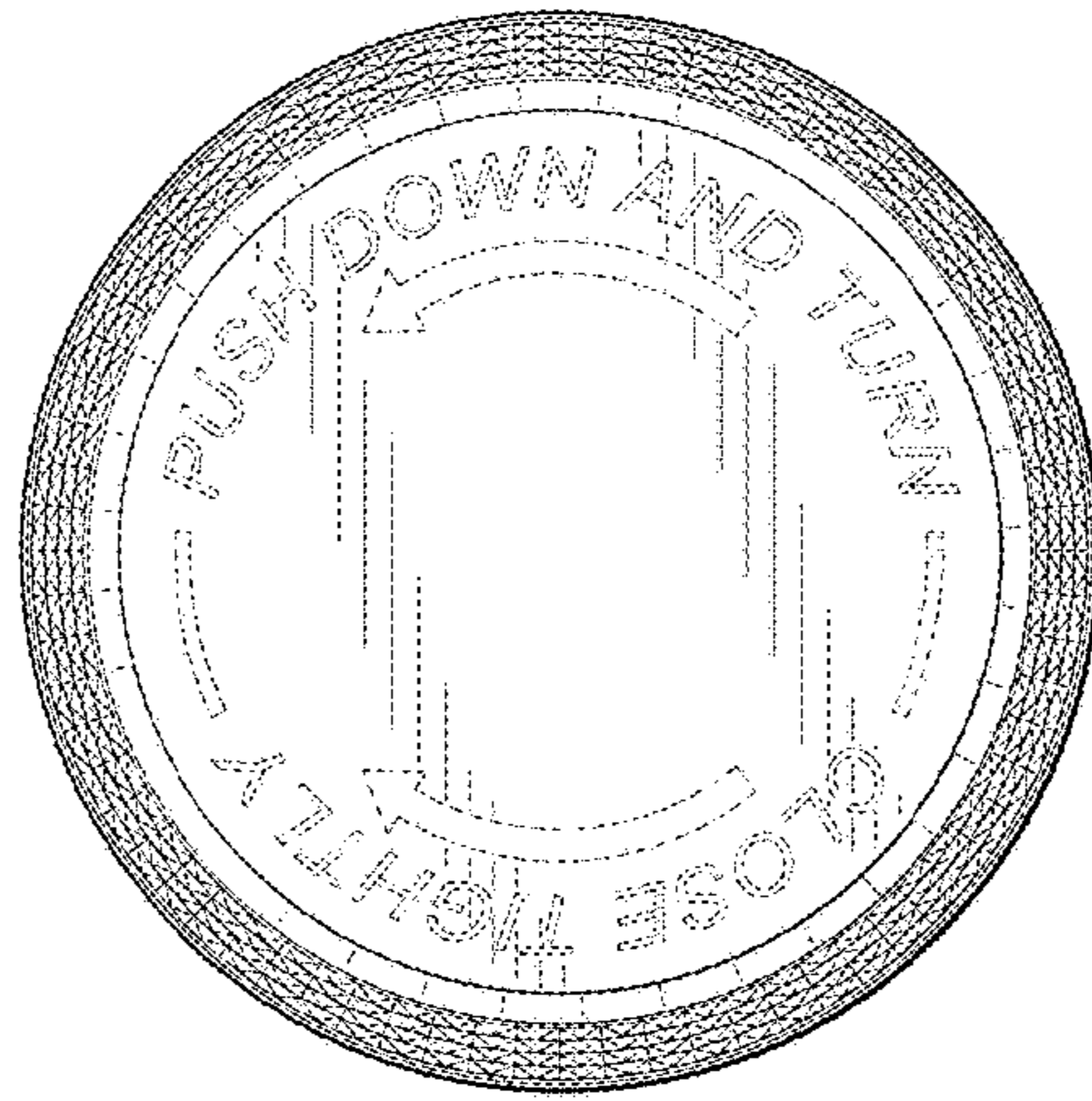


FIG. 15

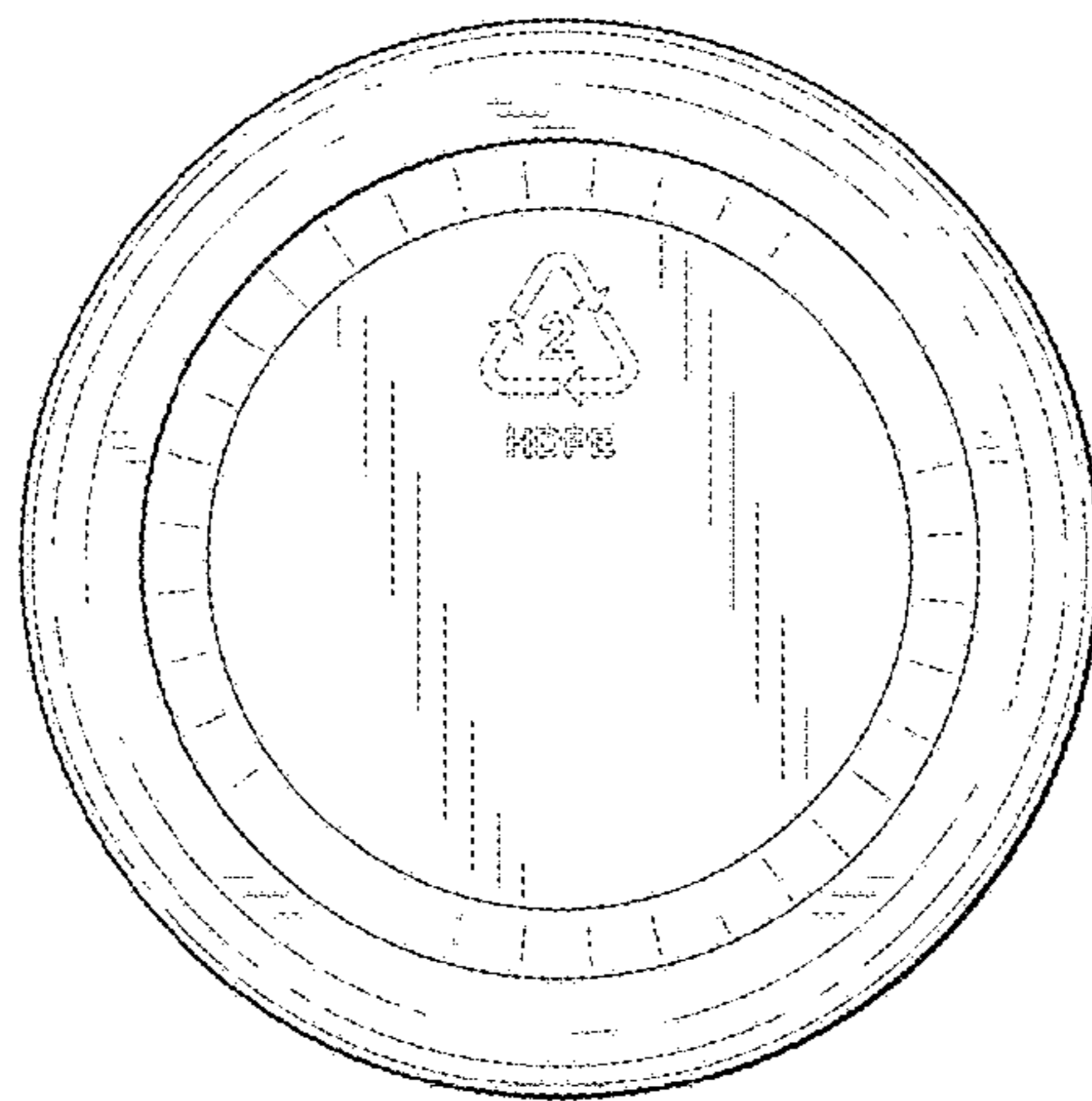


FIG. 16