



US00D855464S

(12) **United States Design Patent** (10) **Patent No.:** **US D855,464 S**
Hall et al. (45) **Date of Patent:** **** *Aug. 6, 2019**

- (54) **BOTTLE**
- (71) Applicant: **Monster Energy Company**, Corona, CA (US)
- (72) Inventors: **Mark Hall**, Kailua-Kona, HI (US); **Scot De Lorme**, Laguna Beach, CA (US)
- (73) Assignee: **Monster Energy Company**, Corona, CA (US)
- (*) Notice: This patent is subject to a terminal disclaimer.
- (**) Term: **15 Years**
- (21) Appl. No.: **29/621,984**
- (22) Filed: **Oct. 12, 2017**
- (51) **LOC (12) Cl.** **09-01**
- (52) **U.S. Cl.**
USPC **D9/500**
- (58) **Field of Classification Search**
USPC D9/500, 502-505, 516, 549, 557-558, D9/715, 719
CPC B65D 1/00; B65D 1/02; B65D 1/0223; B65D 23/00; B65D 81/00; B65D 2501/00; B65D 2501/0009
See application file for complete search history.

- D625,616 S 10/2010 Gogola et al.
- D627,604 S * 11/2010 Eyal D7/510
- D642,470 S 8/2011 Yourist
- D675,100 S * 1/2013 Herbst D7/511
- D676,764 S 2/2013 Moore et al.
- D678,772 S 3/2013 Johnson et al.
- D688,949 S 9/2013 Johnson et al.
- D696,130 S 12/2013 Zabari
- D697,409 S 1/2014 Wilson

(Continued)

FOREIGN PATENT DOCUMENTS

- GB 5000214 10/2015
- WO DM/073382 4/2010

(Continued)

OTHER PUBLICATIONS

Core Organic, "Perfectly Organic Fruit Infused Beverages," <http://core-hydration.com/core-organic/>, in 3 pages, apparently publically available May 2017.

(Continued)

Primary Examiner — Dana Meyrow
(74) *Attorney, Agent, or Firm* — Knobbe, Martens, Olson & Bear, LLP

(57) **CLAIM**

The ornamental design for a bottle, as shown and described.

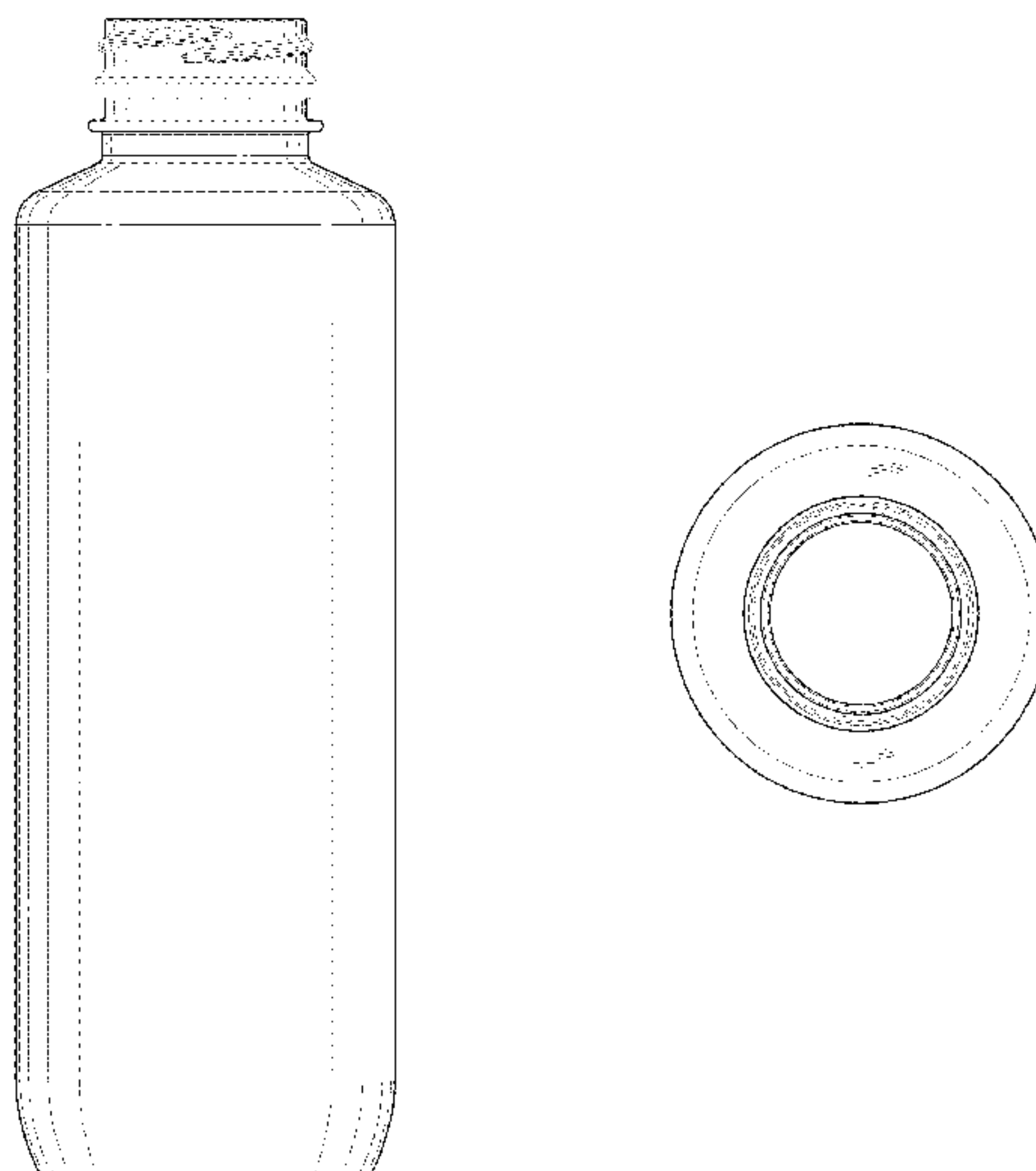
DESCRIPTION

FIG. 1 is a front view of a bottle of our design, the rear view being the same;
FIG. 2 is a right-side view of the bottle of FIG. 1, the left-side view being the same;
FIG. 3 is a top view of the bottle of FIG. 1; and,
FIG. 4 is a bottom view of the bottle of FIG. 1.
All features in broken line form no part of the claimed subject matter.

1 Claim, 4 Drawing Sheets

(56) **References Cited**
U.S. PATENT DOCUMENTS

- 2,670,868 A * 3/1954 Stover B65D 43/0222 215/46
- D248,927 S 8/1978 Cassia
- D472,471 S 4/2003 McClure et al.
- D473,143 S 4/2003 McClure et al.
- D481,938 S 11/2003 McRae
- D522,880 S 6/2006 Fuller et al.
- D543,462 S 5/2007 Pedmo et al.
- D584,623 S 1/2009 Chupak



(56)

References Cited

U.S. PATENT DOCUMENTS

D697,414 S 1/2014 Windelinckx
 D739,256 S * 9/2015 Kim D9/503
 D743,741 S 11/2015 Itzhaki
 D792,777 S 7/2017 Huls et al.
 D796,956 S 9/2017 Clark et al.
 D799,967 S 10/2017 Wade
 D804,309 S 12/2017 Hines
 D804,906 S 12/2017 Diener et al.
 D805,918 S 12/2017 Matthieu
 D807,125 S * 1/2018 Seiders D7/608
 D808,810 S 1/2018 Rajesh et al.
 D811,883 S 3/2018 Arthachinda
 D812,428 S 3/2018 Wu
 D813,674 S 3/2018 Peacock et al.
 D815,538 S 4/2018 Aran
 D818,368 S 5/2018 Hanan et al.
 D819,402 S 6/2018 Silsby et al.
 D819,403 S 6/2018 Li et al.
 D819,410 S * 6/2018 Seiders D7/608
 D822,501 S * 7/2018 Staab D9/690
 2002/0108925 A1 8/2002 Mihashi

FOREIGN PATENT DOCUMENTS

WO D085480-0001 12/2014
 WO DM/088776 7/2015

WO DM/089482 11/2015
 WO WO D091249-0001 3/2016
 WO WO D094018-0001 9/2016

OTHER PUBLICATIONS

Epica, "Epica 18-Oz. Glass Beverage Bottles, Set of 6," <https://www.amazon.com/Epica-18-Oz-Glass-Beverage-Bottles/dp/B0010YNYSI>, in 7 pages, apparently publically available May 2017.
 The Cary Company, "10 oz Clear PET Plastic Energy Shot Bottle, 38 mm 358DBJ," Part No. 68W10E, <http://www.thecarycompany.com/plastic-beverage-bottles-68w10e>, in 3 pages, apparently publically available Apr. 2016.
 The Cary Company, "12 oz Clear PET Plastic Energy Shot Bottle, 38 mm 358DBJ," Part No. 68W12E, <http://www.thecarycompany.com/plastic-beverage-bottles-68w12e>, in 3 pages, apparently publically available Feb. 2016.
 The Cary Company, "Plastic Beverage Bottles—Plastic Drinking Bottles You'll Thirst For," <http://www.thecarycompany.com/containers/plastic/bottles/beverage>, apparently publically available May 2017.
 "Monster Energy," cubicacomunicacion.com, Oct. 24, 2011, accessed on Jul. 19, 2018, available online at <https://www.cubicacomunicacion.com/en/monster-energy>.
 "Monster Energy Extra Strength, 355MI Cans (12)," [platinumfitnessinc.com](http://www.platinumfitnessinc.com), first available on May 6, 2013, accessed on Jul. 19, 2018, available online at http://www.platinumfitness.com/product_info.php?cPath=65&products_id=1092&osCsid=d6b7a633c46349ff9bf4ed38b1ef09c2.

* cited by examiner

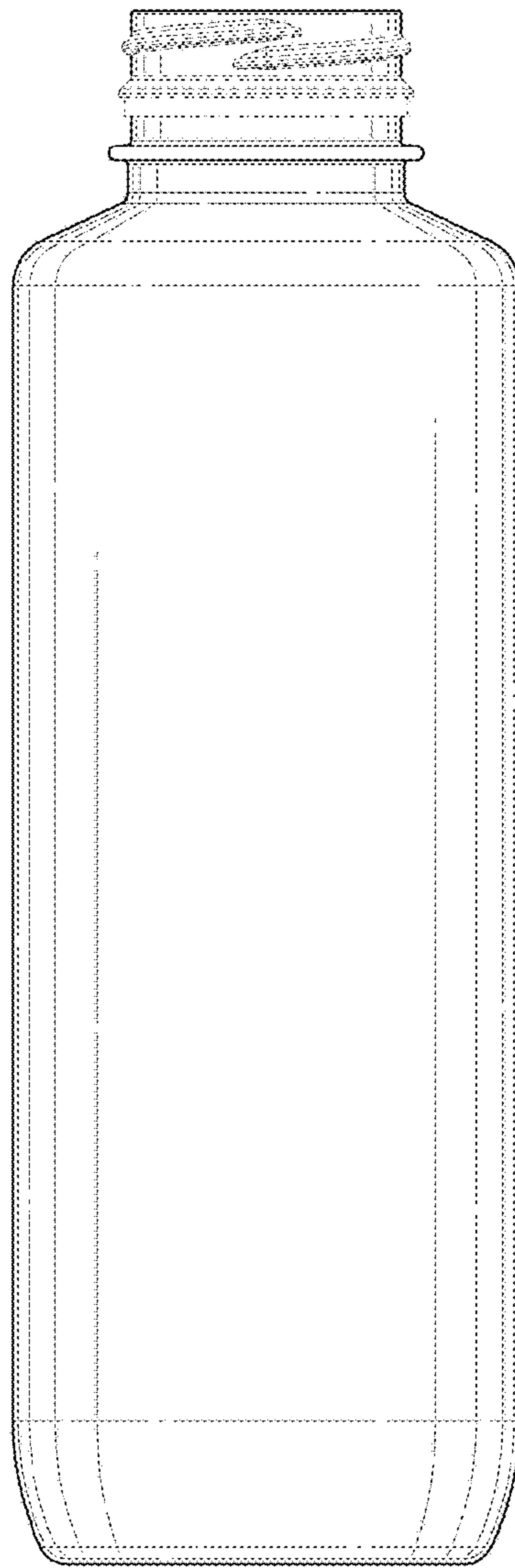


FIG. 1

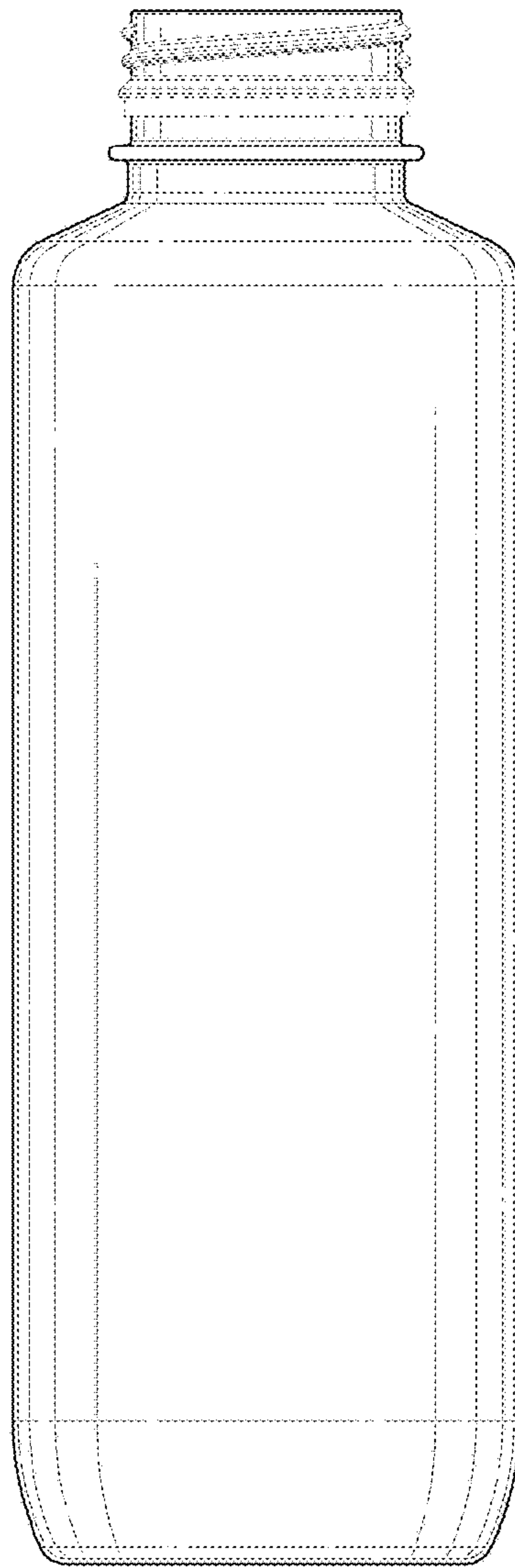


FIG. 2

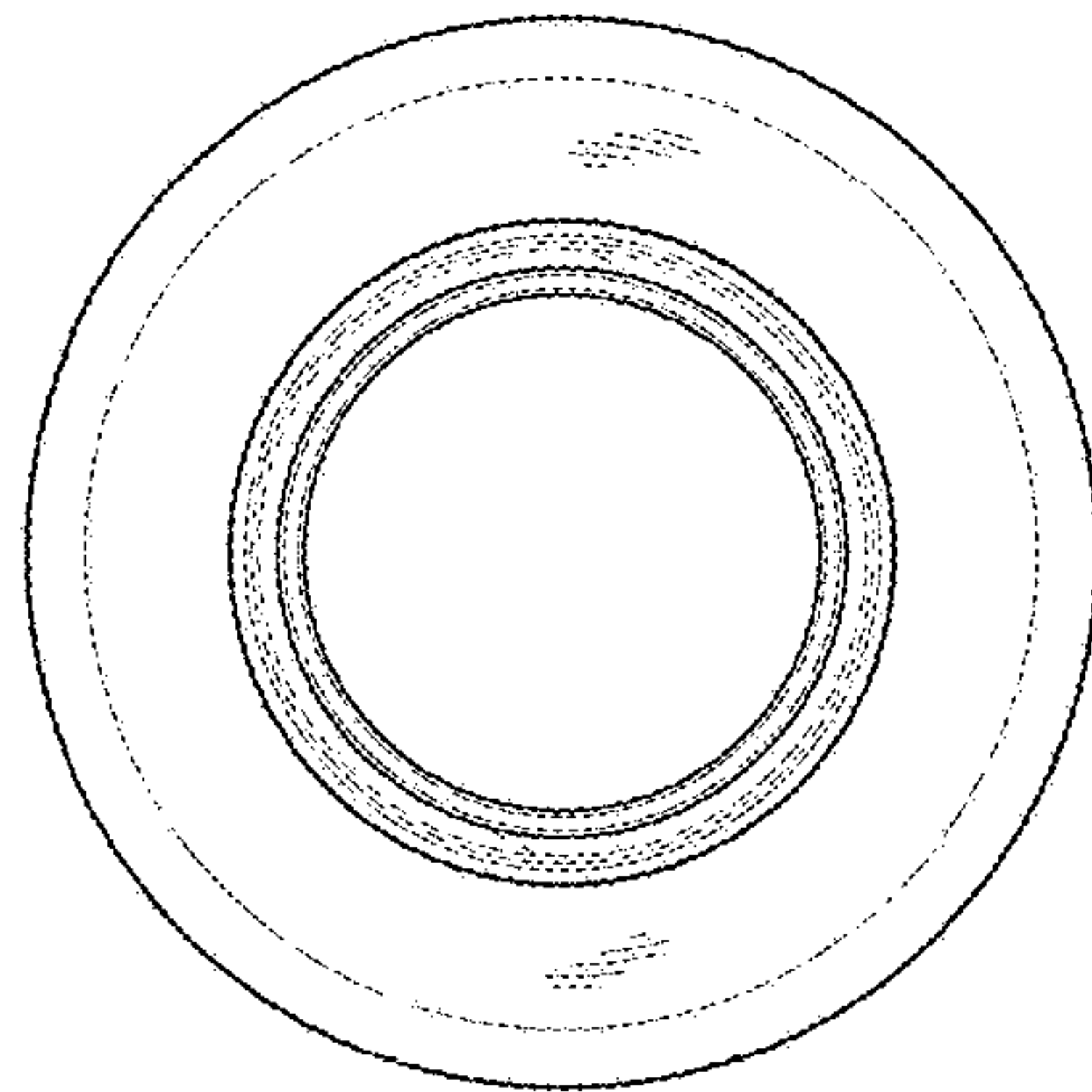


FIG. 3

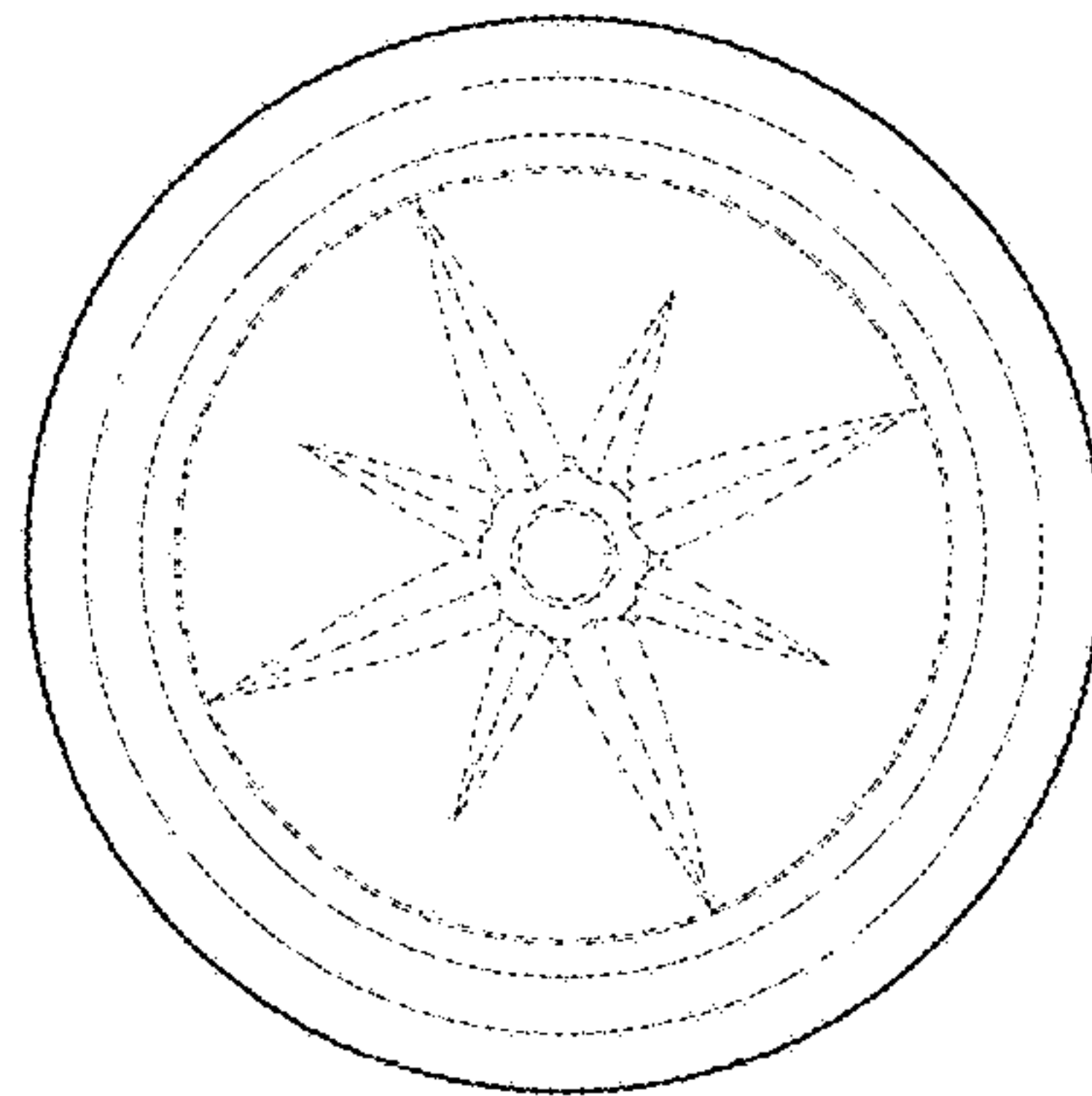


FIG. 4