



US00D855462S

(12) **United States Design Patent**  
**Ramsey**

(10) **Patent No.:** **US D855,462 S**

(45) **Date of Patent:** **\*\* Aug. 6, 2019**

(54) **BOTTLE TOP**

B65D 50/048; B65D 41/28; B65D 35/44;  
B65D 17/165

See application file for complete search history.

(71) Applicant: **Crown Packaging Technology, Inc.**,  
Alsip, IL (US)

(56) **References Cited**

(72) Inventor: **Christopher Paul Ramsey**, Wantage  
(GB)

U.S. PATENT DOCUMENTS

(73) Assignee: **Crown Packaging Technology, Inc.**,  
Alsip, IL (US)

D24,542 S 8/1895 McTerren  
D48,033 S \* 10/1915 Kaye ..... D9/453  
2,048,062 A \* 7/1936 Elder ..... B65D 41/12  
215/328

D132,771 S 6/1942 Hutaff  
(Continued)

(\*\*) Term: **15 Years**

OTHER PUBLICATIONS

(21) Appl. No.: **29/665,556**

Crown Cork. With QR Codes 'Under the Cap,' Crown Helps Brands Engage Consumers. Jun. 20, 2013. <URL:https://www.crowncork.com/news/press-room/qr-codes-under-cap-crown-helps-brands-engage-consumers>. (Year: 2013).\*

(22) Filed: **Oct. 4, 2018**

(Continued)

**Related U.S. Application Data**

(62) Division of application No. 29/619,461, filed on Sep. 29, 2017.

*Primary Examiner* — George D. Kirschbaum

*Assistant Examiner* — Darcey E Gottschalk

(74) *Attorney, Agent, or Firm* — BakerHostetler

(30) **Foreign Application Priority Data**

Mar. 30, 2017 (EM) ..... 003831858-0001  
Mar. 30, 2017 (EM) ..... 003831858-0002  
Mar. 30, 2017 (EM) ..... 003831858-0003  
Mar. 30, 2017 (EM) ..... 003831858-0004

(57) **CLAIM**

I claim the ornamental design for a bottle top, as shown and described.

(51) **LOC (12) Cl.** ..... **09-07**

(52) **U.S. Cl.**  
USPC ..... **D9/452**; D9/454

**DESCRIPTION**

(58) **Field of Classification Search**

USPC ..... D7/387, 392.1, 396.2; D9/434–436, 439,  
D9/443–445, 447, 454, 499, 441, 451,  
D9/452, 453, 667  
CPC ..... B65D 1/0246; B65D 39/00; B65D 41/00;

FIG. 1 is a top plan view of a bottle top according to a first embodiment of my new design;  
FIG. 2 is a bottom plan view thereof;  
FIG. 3 is a top perspective view thereof;  
FIG. 4 is a bottom perspective view thereof;  
FIG. 5 is a left side elevation view thereof, the right side elevation view being a mirror image of the left side elevation view;  
FIG. 6 is a top plan view of a bottle top according to a second embodiment of my new design;  
FIG. 7 is a bottom plan view thereof;  
FIG. 8 is a top perspective view thereof;

(Continued)

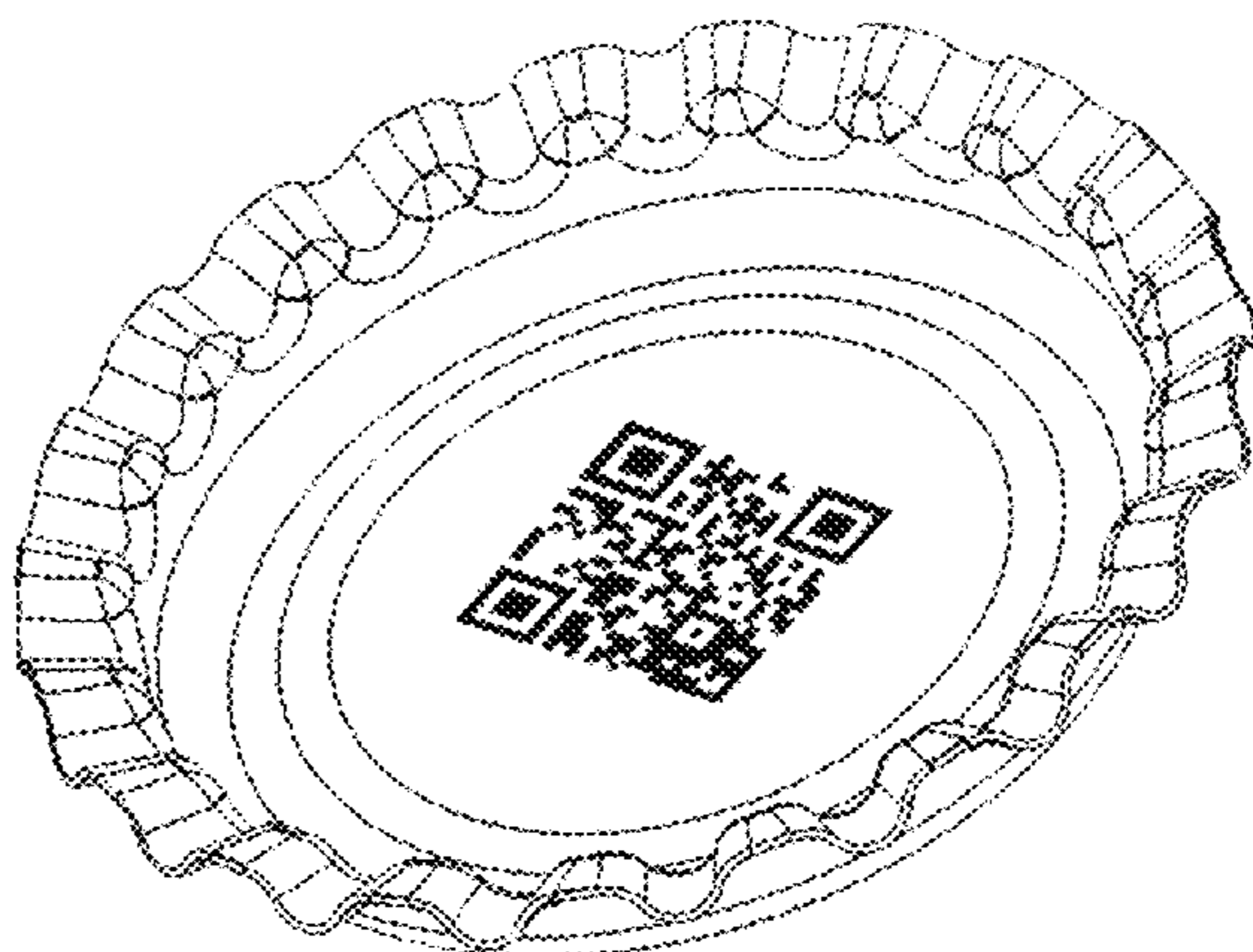
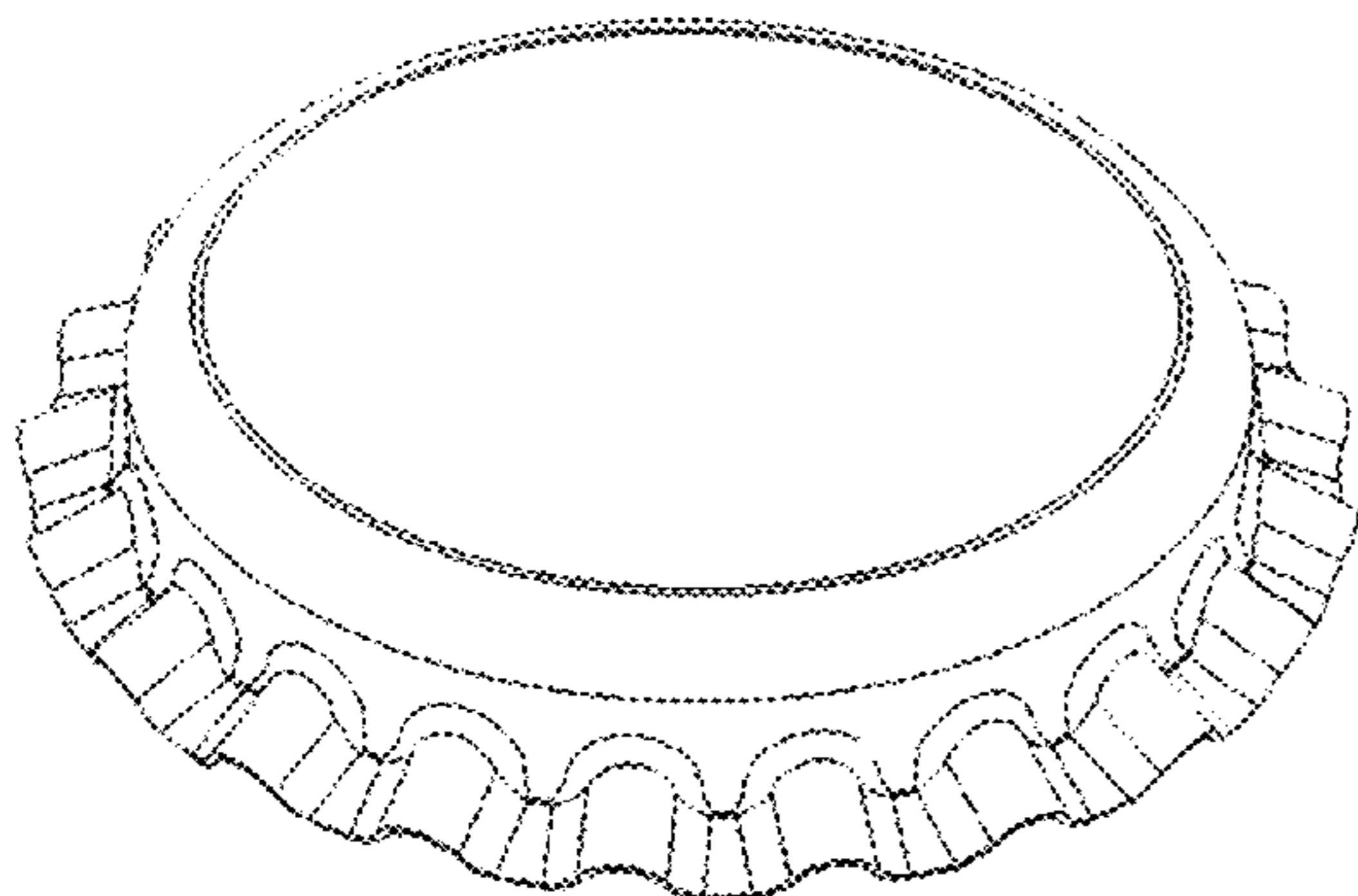


FIG. 9 is a bottom perspective view thereof; and, FIG. 10 is a left side elevation view thereof, the right side elevation view being a mirror image of the left side elevation view.

**1 Claim, 10 Drawing Sheets**

(56)

**References Cited**

U.S. PATENT DOCUMENTS

D198,235 S	5/1964	Rander	
3,200,982 A *	8/1965	Cormier .....	B65D 41/42 215/253
4,337,871 A *	7/1982	Tucker .....	B65D 41/12 215/328
D292,380 S	10/1987	Smith	
D331,407 S	12/1992	Davis	
D384,857 S	10/1997	Beaule	
D495,255 S	8/2004	Lewis	
6,857,755 B1 *	2/2005	Lewis .....	A44C 15/0015 362/104

D507,745 S *	7/2005	Pitman .....	D9/452
D516,426 S *	3/2006	Golding .....	D9/452
D587,579 S *	3/2009	Bourque .....	D9/452
D649,395 S	11/2011	Gehring	
8,322,549 B2	12/2012	Bourque	
D673,851 S *	1/2013	Yates .....	D9/452
D681,459 S *	5/2013	Ramsey .....	D9/452
D684,051 S	6/2013	Winstanley	
D688,553 S	8/2013	Winstanley	
D776,530 S *	1/2017	Ramsey .....	D9/438
D799,267 S	10/2017	Luo	
D799,961 S *	10/2017	Yu .....	D9/452
D802,418 S	11/2017	Ryan	
2005/0029218 A1 *	2/2005	Golding .....	B65D 41/12 215/328
2016/0332772 A1 *	11/2016	Ramsey .....	B65D 17/4012

OTHER PUBLICATIONS

iOS Rider, "How to Scan QR codes from iPhone and iPad with iOS 11", <http://iosrider.com/how-use-qr-codes-ios-iphone-ipad/>, Oct. 17, 2017, 3 pages.

\* cited by examiner

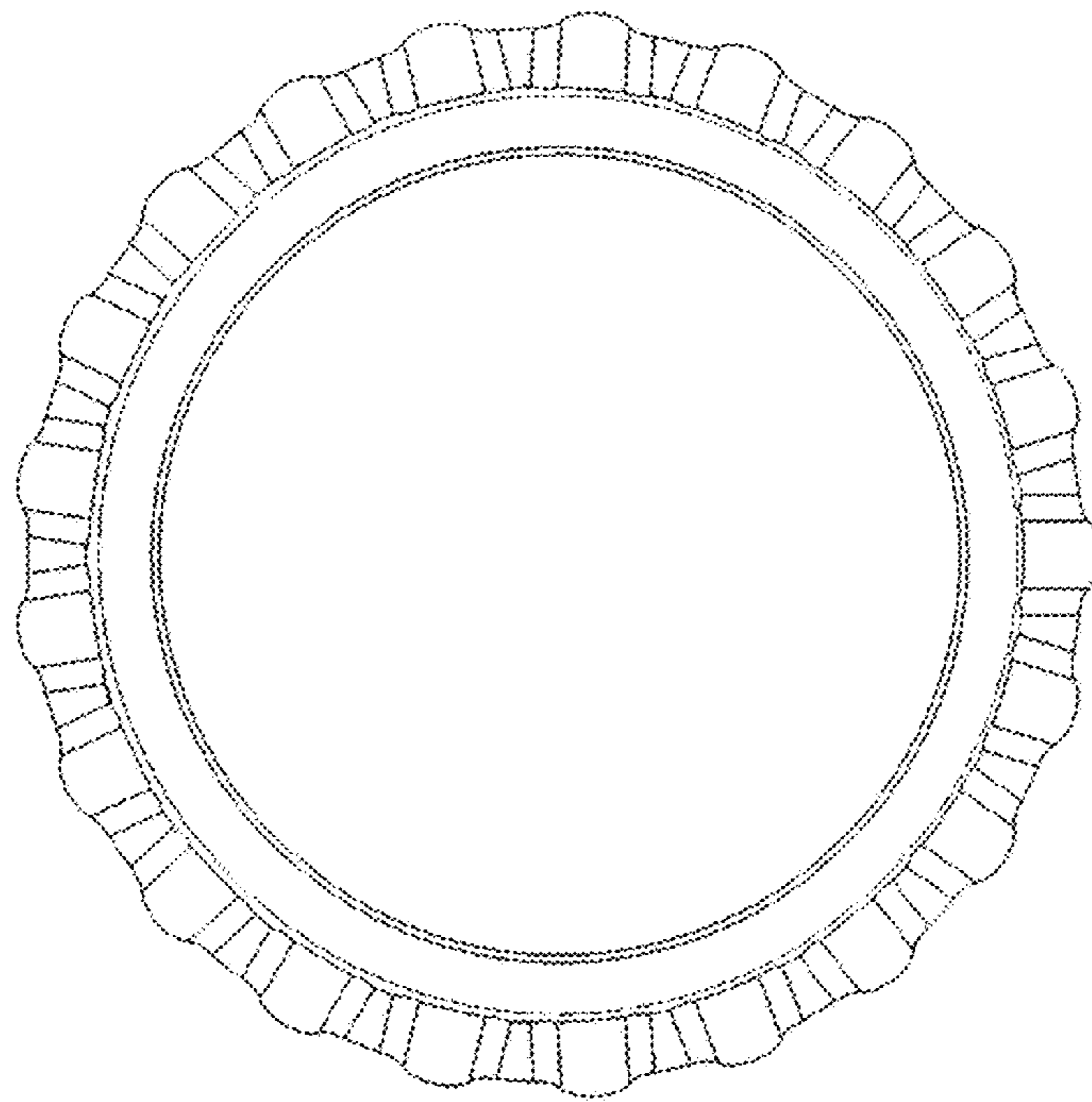


FIG. 1

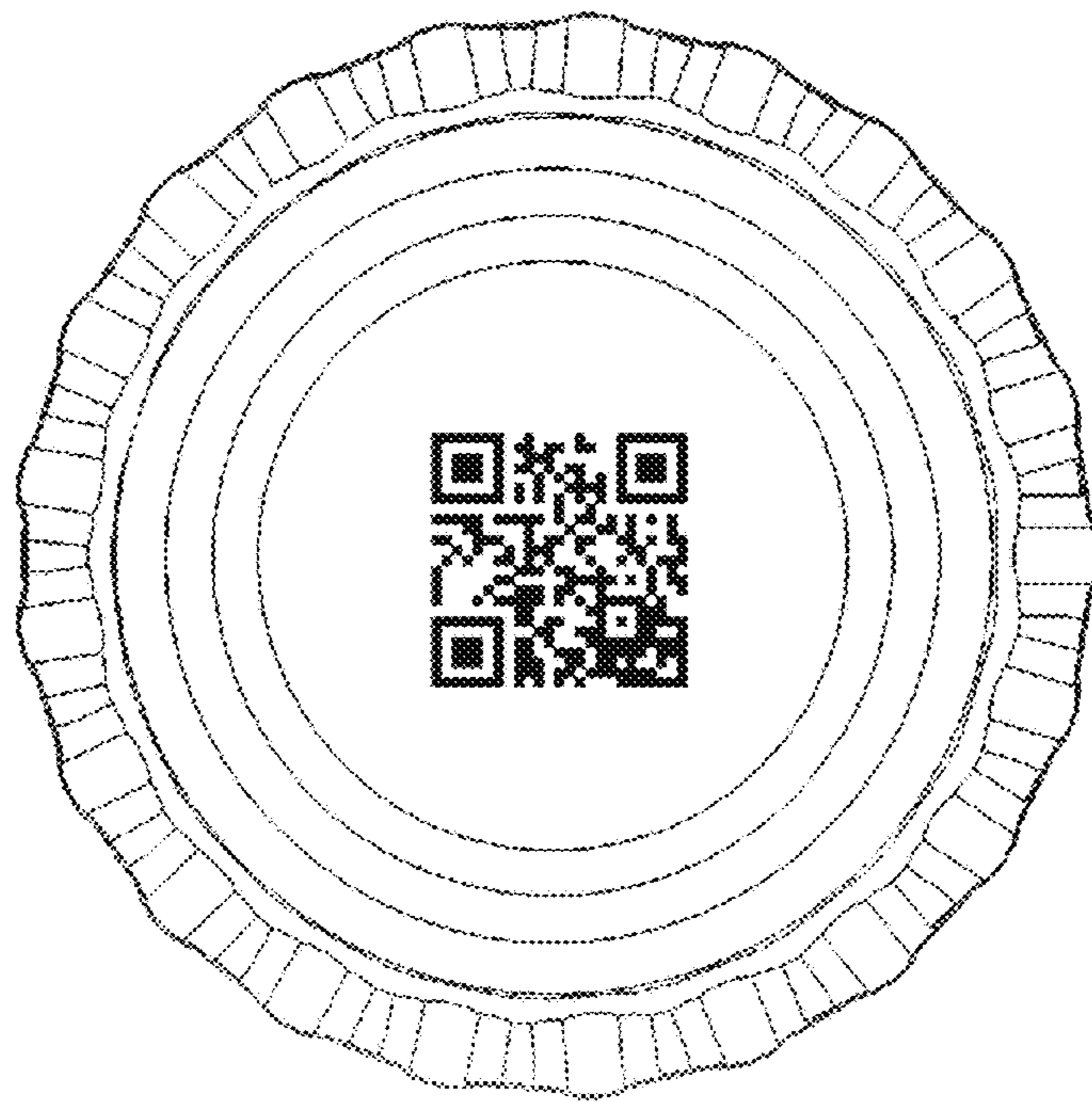


FIG. 2

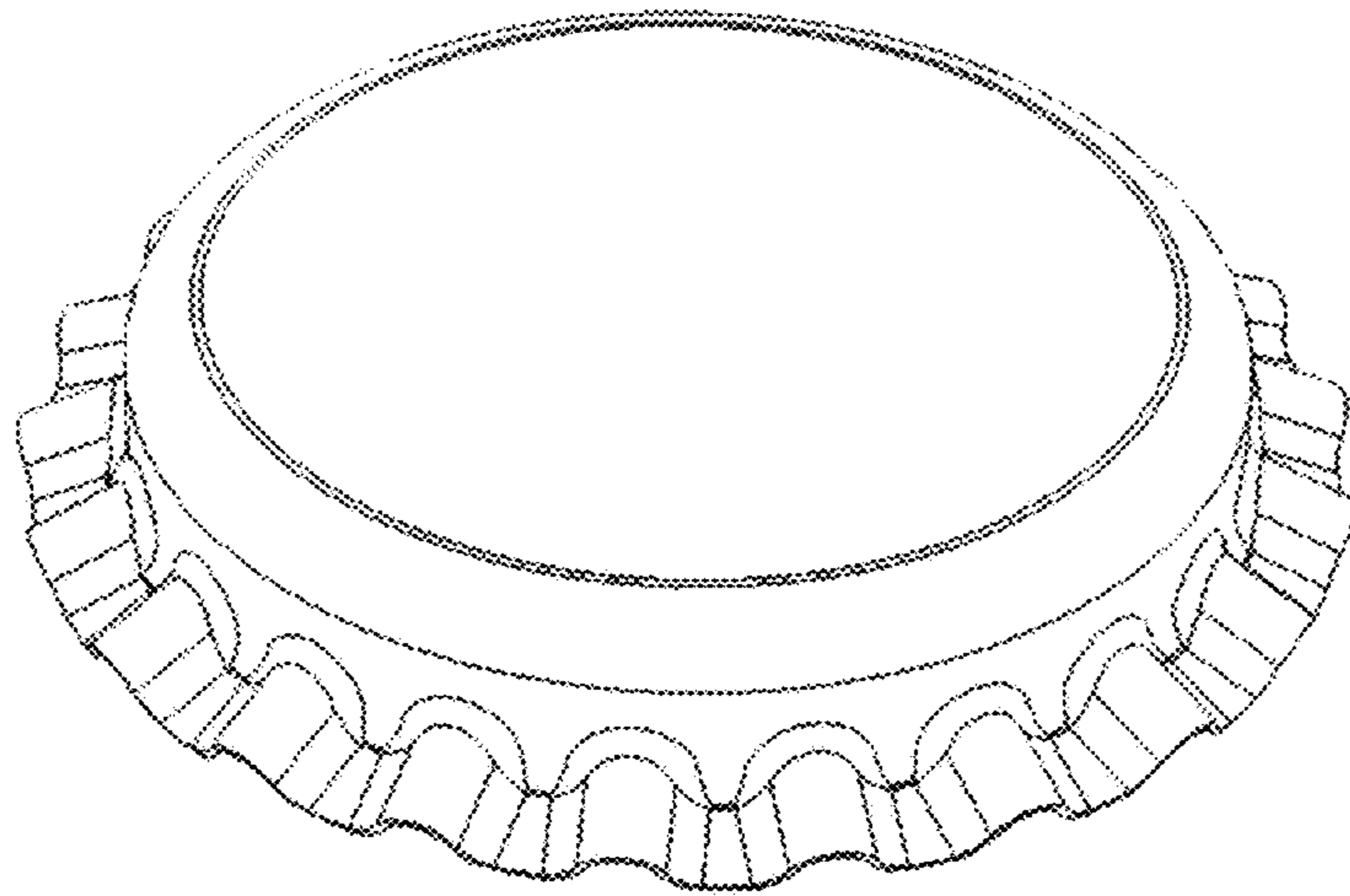


FIG. 3

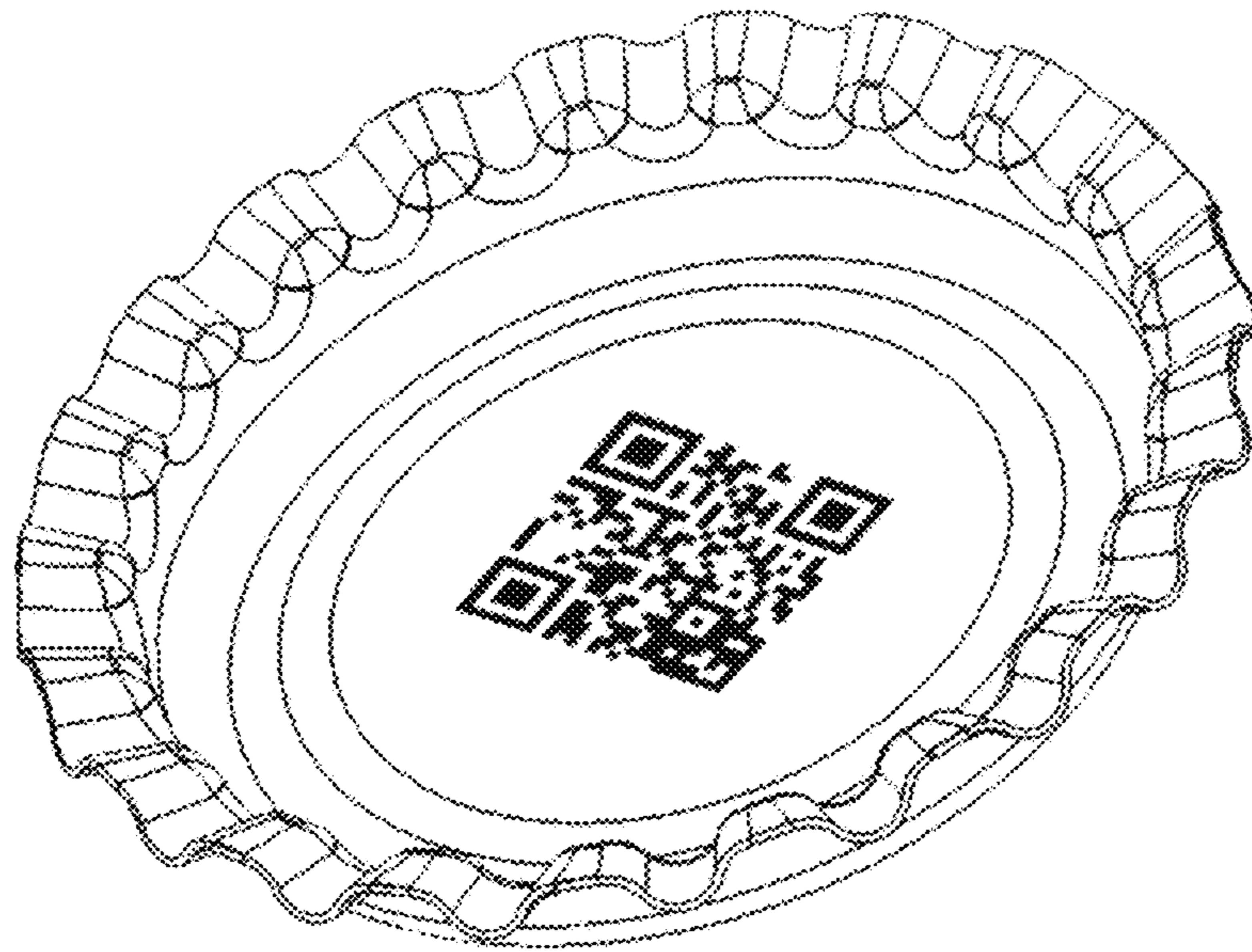


FIG. 4

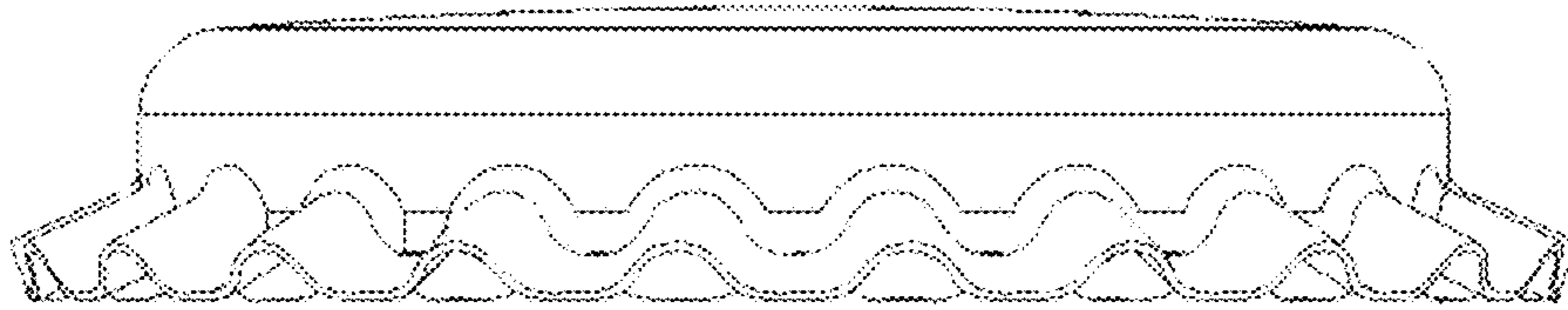


FIG. 5

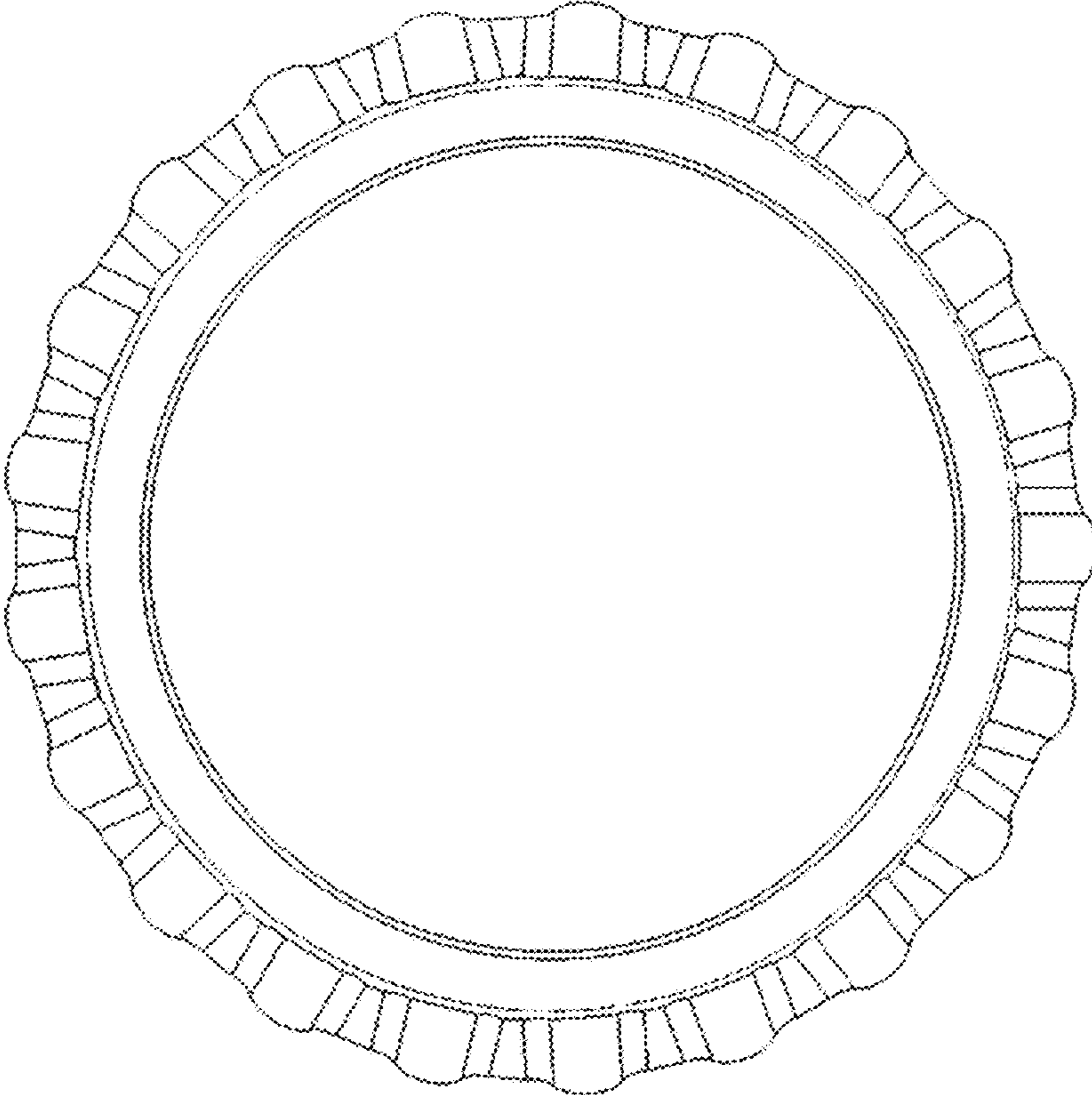


FIG. 6



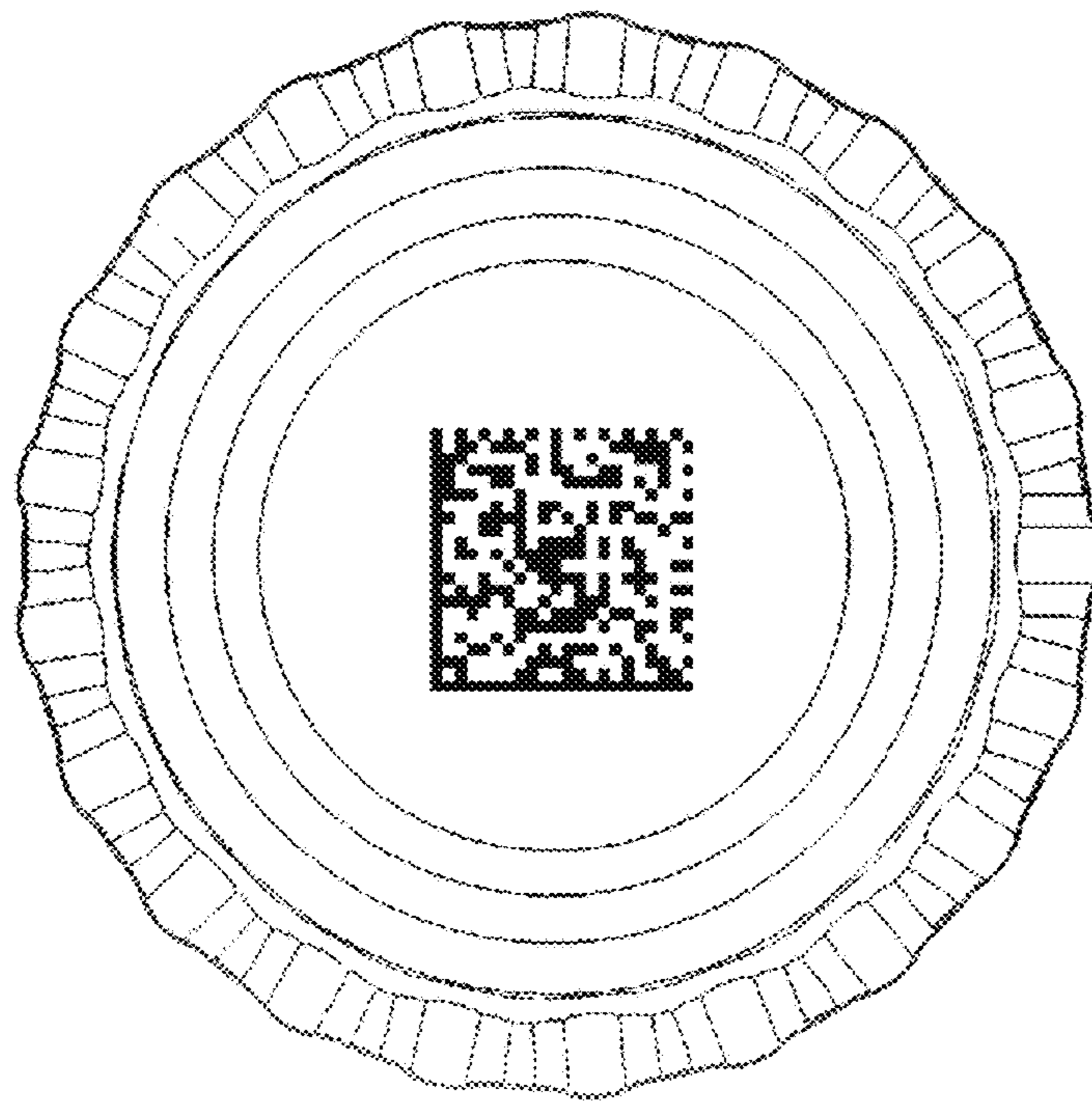


FIG. 7

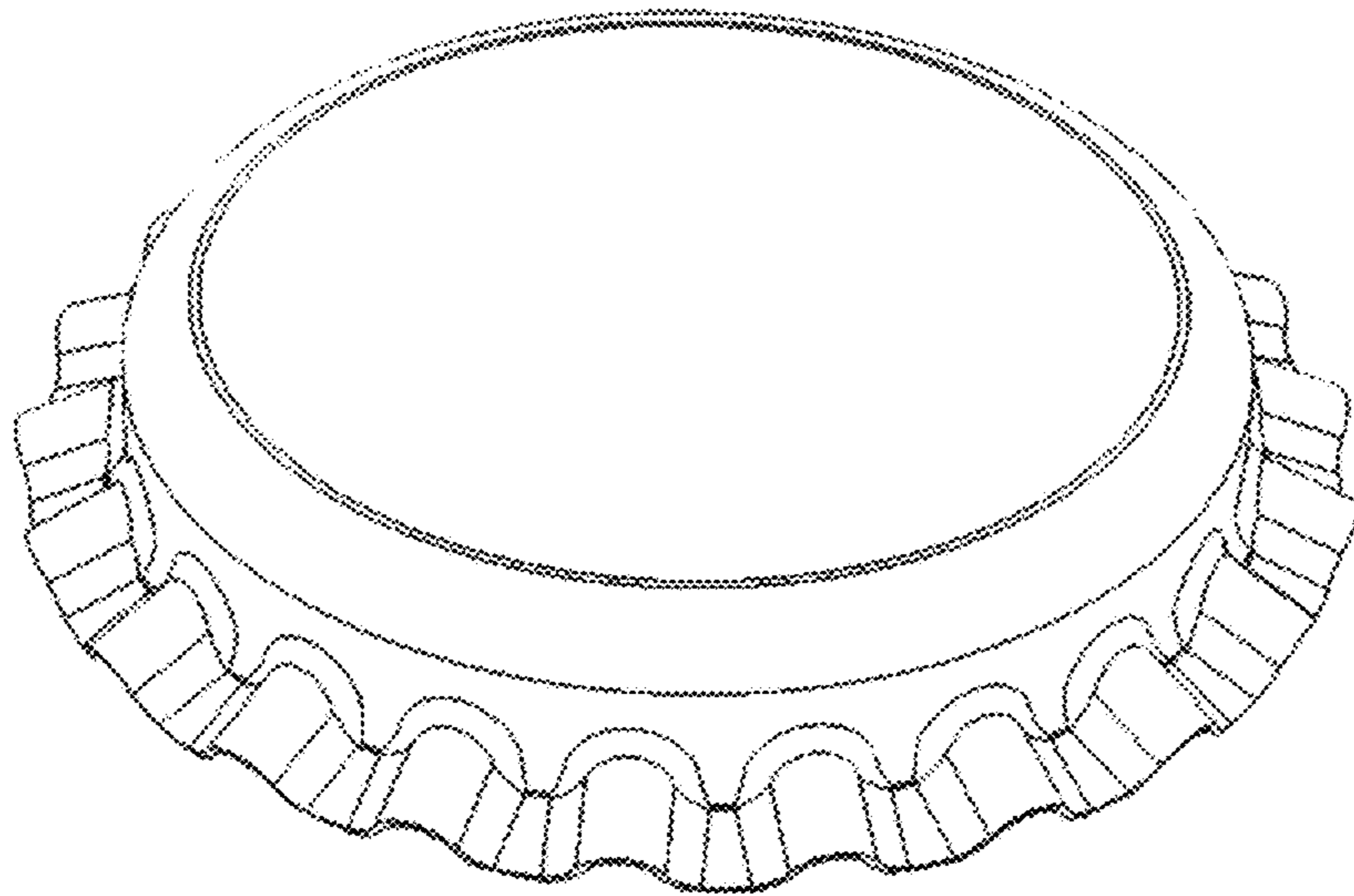


FIG. 8

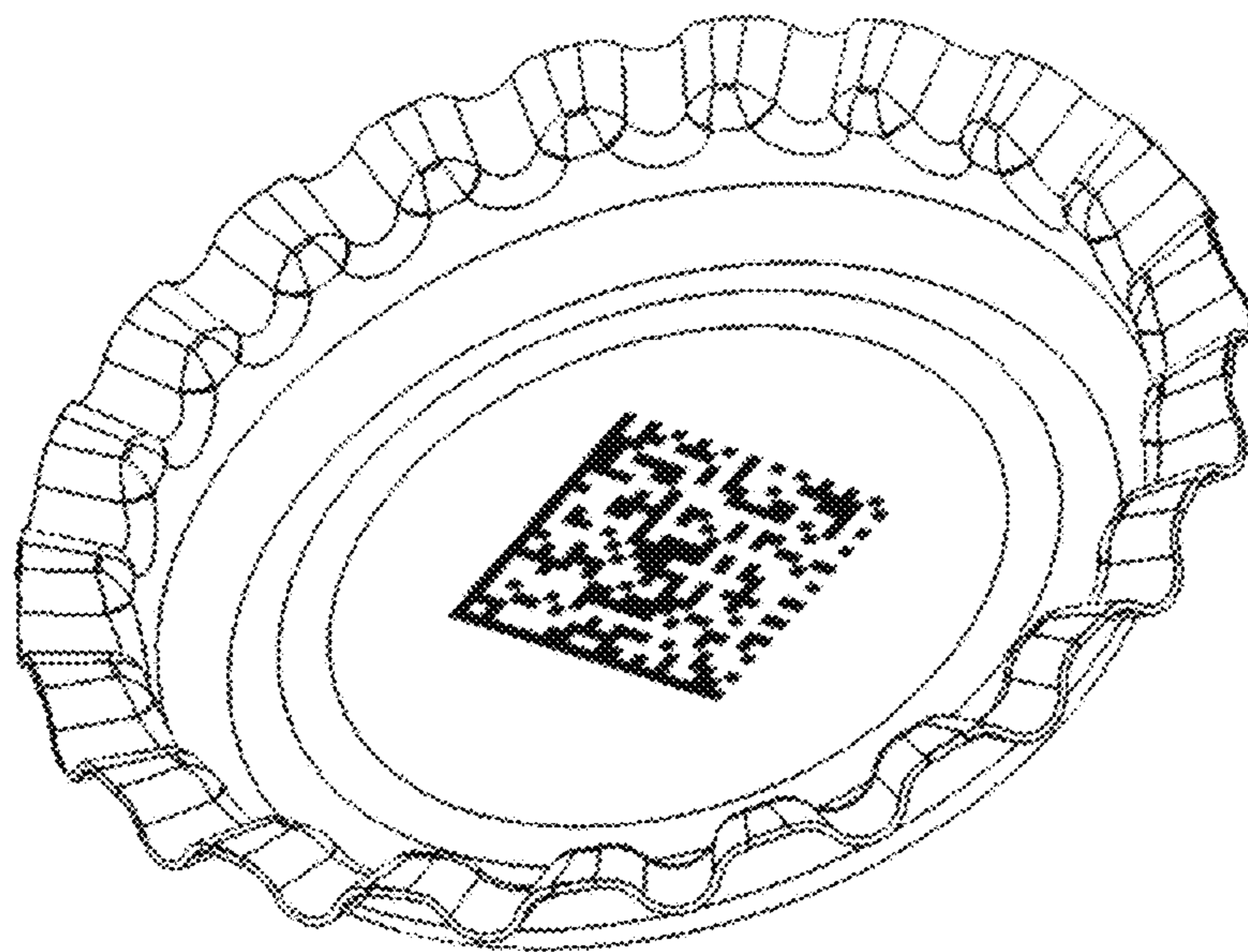


FIG. 9

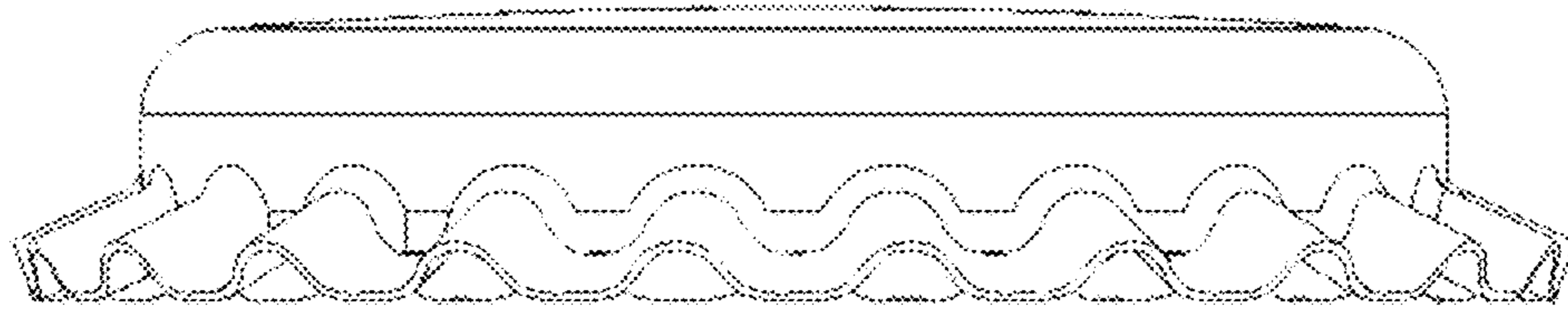


FIG. 10