



US00D855461S

(12) **United States Design Patent**  
**Wu**

(10) **Patent No.:** **US D855,461 S**

(45) **Date of Patent:** **\*\* Aug. 6, 2019**

(54) **BOTTLE CAP HAVING AN INNER LID**

(71) Applicant: **Hung-Kuan Wu**, Taipei (TW)

(72) Inventor: **Hung-Kuan Wu**, Taipei (TW)

(\*\*) Term: **15 Years**

(21) Appl. No.: **29/629,135**

(22) Filed: **Dec. 12, 2017**

(51) **LOC (12) Cl.** ..... **09-07**

(52) **U.S. Cl.**

USPC ..... **D9/449**; D9/440

(58) **Field of Classification Search**

USPC ..... D7/387, 392.1, 396.2; D9/434-436, 439,  
D9/443-445, 447, 454, 499

CPC ..... B65D 1/0246; B65D 39/00; B65D 41/00;  
B65D 50/048; B65D 41/28; B65D 35/44

See application file for complete search history.

(56) **References Cited**

**U.S. PATENT DOCUMENTS**

D120,464 S *	5/1940	Martin	.....	D9/434
D198,598 S *	7/1964	Milenkevich	.....	D9/447
D234,341 S *	2/1975	Schick	.....	392/476
D241,018 S *	8/1976	Amiels	.....	D9/439
D248,545 S *	7/1978	Summers	.....	D9/439
D447,410 S *	9/2001	Malmberg	.....	D9/434
D513,986 S *	1/2006	Healy	.....	D9/445
D554,992 S *	11/2007	Mangin	.....	D9/434
D582,767 S *	12/2008	Batton	.....	D9/447
D666,096 S *	8/2012	Cummings	.....	D9/447
D701,765 S *	4/2014	Fukumoto	.....	D9/447
D708,945 S *	7/2014	Jetmar	.....	D9/439
D708,946 S *	7/2014	Hutchison	.....	D9/447
D710,694 S *	8/2014	D'Anglade	.....	D9/435
D710,695 S *	8/2014	Pritikin	.....	D9/435
D720,217 S *	12/2014	Oates	.....	D7/398
D723,917 S *	3/2015	Koffel	.....	D9/447
D751,394 S *	3/2016	Chartier	.....	D9/440
D752,976 S *	4/2016	Koffel	.....	D9/447

D753,489 S *	4/2016	Shaw	.....	D9/454
D771,490 S *	11/2016	Junkel	.....	D9/447
D779,325 S *	2/2017	Vigoureux	.....	D7/601
D798,712 S *	10/2017	Fukumoto	.....	D9/447

(Continued)

**OTHER PUBLICATIONS**

Container and Packaging. Black pp. 38-400 ribbed skirt hinged flip top dispensing cap with unprinted pressure sensitive liner. No date specified. <URL:https://www.containerandpackaging.com/products/21/flip-top-caps/L001BK>. (Year: 0).\*

*Primary Examiner* — George D. Kirschbaum

*Assistant Examiner* — Darcey E Gottschalk

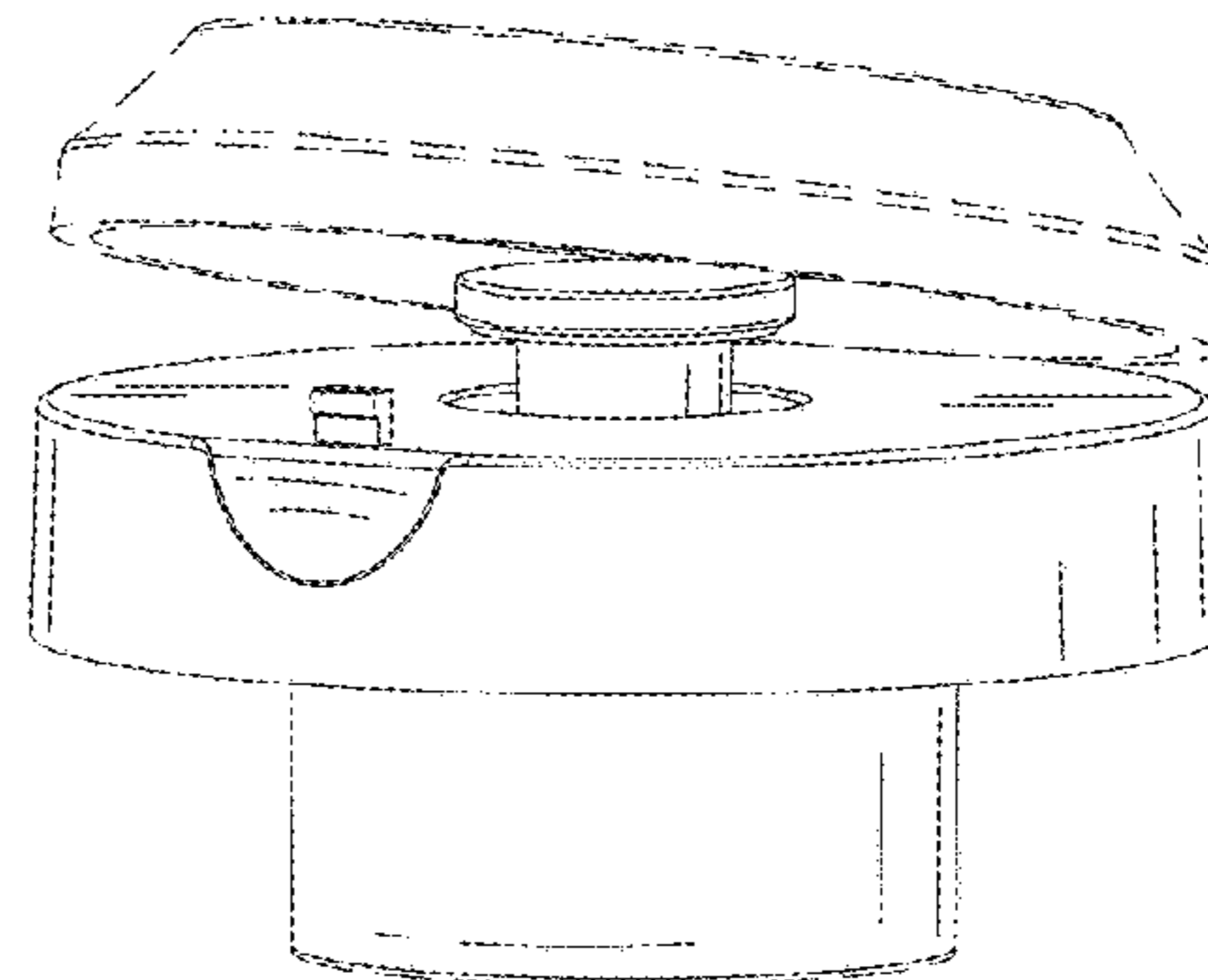
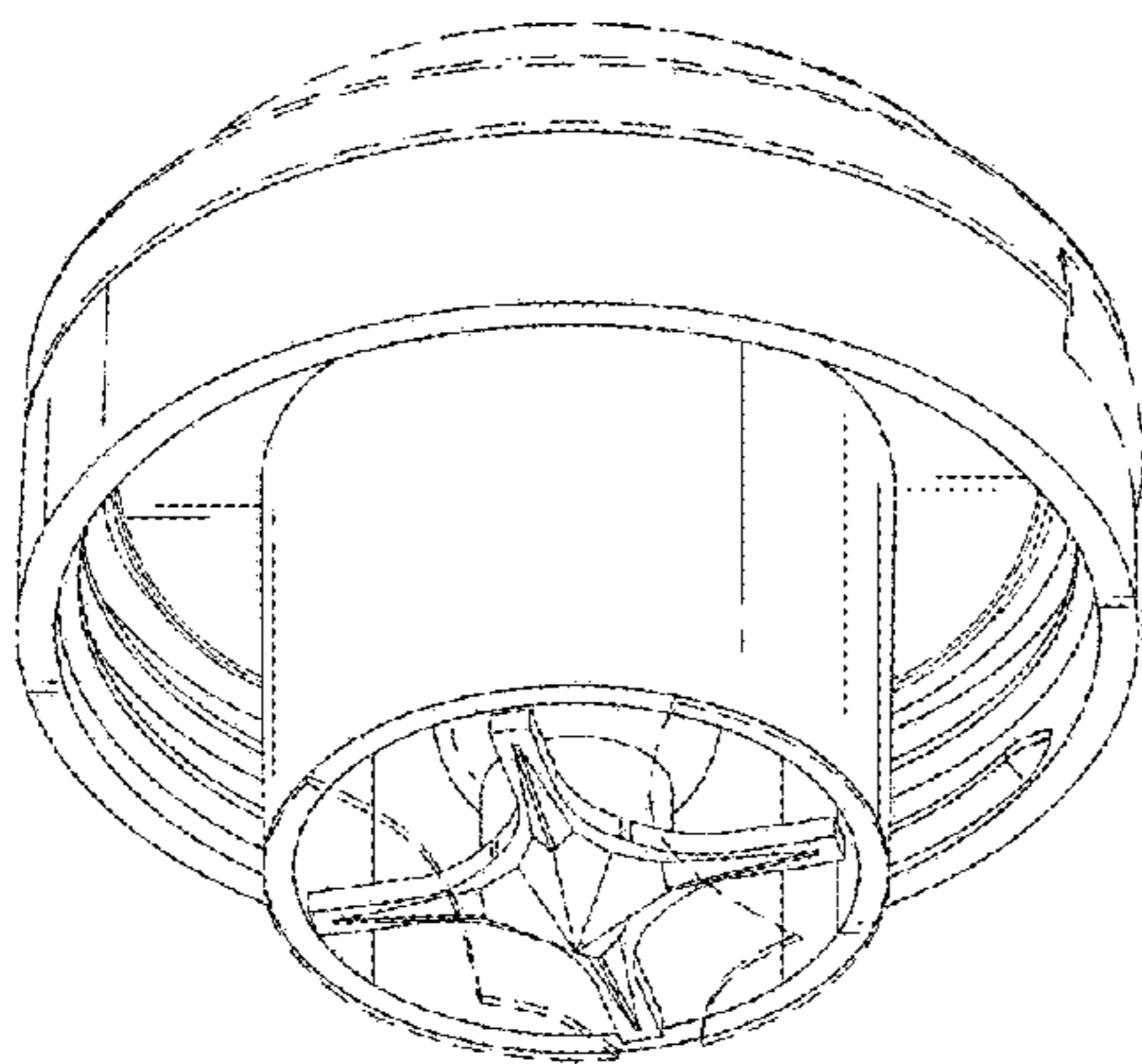
(57) **CLAIM**

The ornamental design for a bottle cap having an inner lid, as shown and described.

**DESCRIPTION**

FIG. 1 is a front, top perspective view of a bottle cap having an inner lid showing my new design;  
FIG. 2 is a front elevation view thereof;  
FIG. 3 is a rear elevation view thereof;  
FIG. 4 is a left side view thereof;  
FIG. 5 is a right side view thereof;  
FIG. 6 is a top plan view thereof;  
FIG. 7 is a bottom plan view thereof;  
FIG. 8 is a cross-sectional view taken along line 8-8 of FIG. 6;  
FIG. 9 is a cross-sectional view thereof showing the inner lid is depressed to break a bottom membrane;  
FIG. 10 is a front, bottom perspective view thereof, showing the bottom membrane is broken; and,  
FIG. 11 is a front, top perspective view of the bottle cap having an inner lid showing a bottle cover is open.  
The broken line portion of the figure drawings is included to show unclaimed subject matter only and forms no part of the claimed design.

**1 Claim, 6 Drawing Sheets**



(56)

**References Cited**

U.S. PATENT DOCUMENTS

D818,360 S \* 5/2018 Oates, II ..... D9/435  
D836,387 S \* 12/2018 Silsby ..... D7/392.1

\* cited by examiner

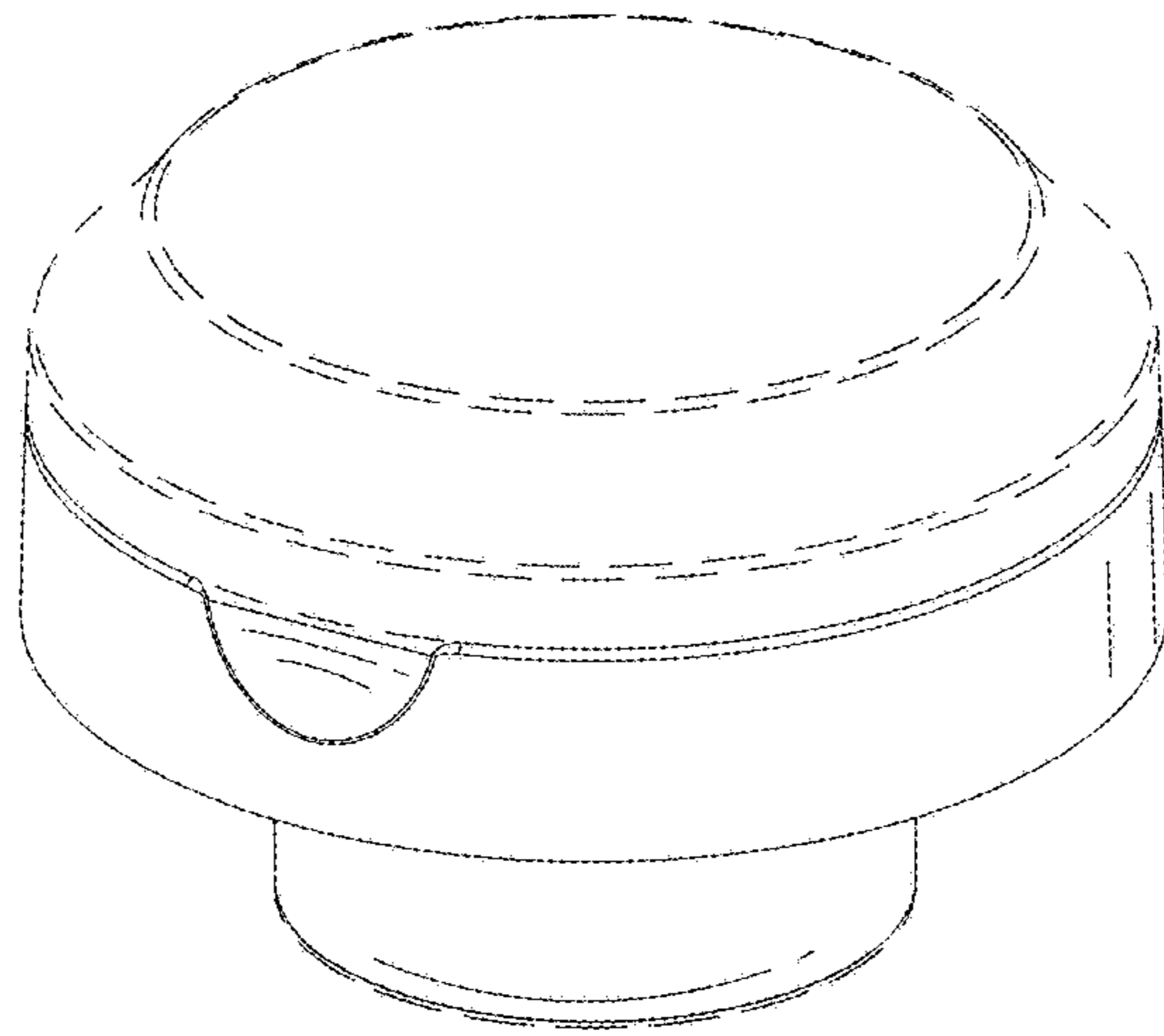


FIG. 1

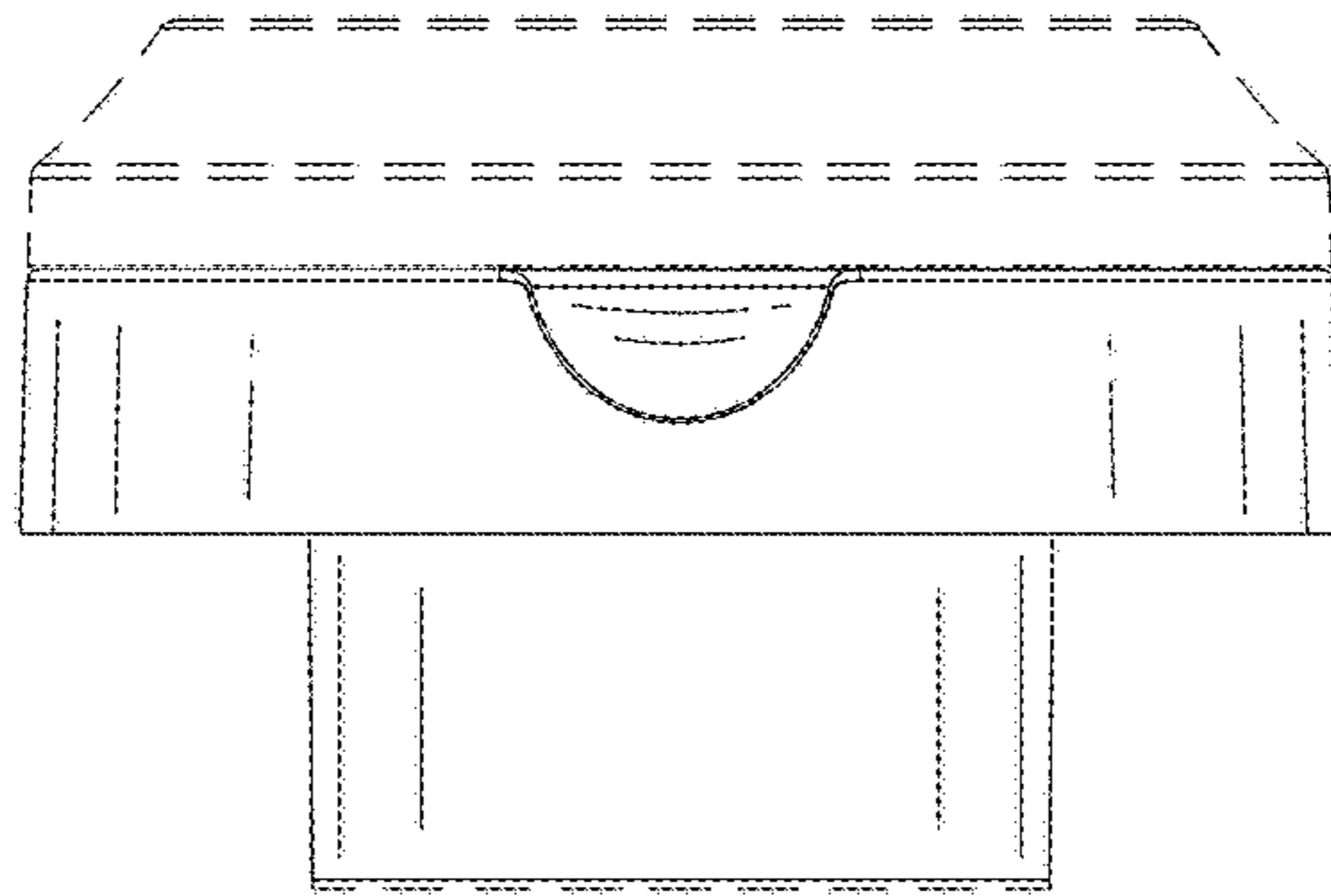


FIG. 2

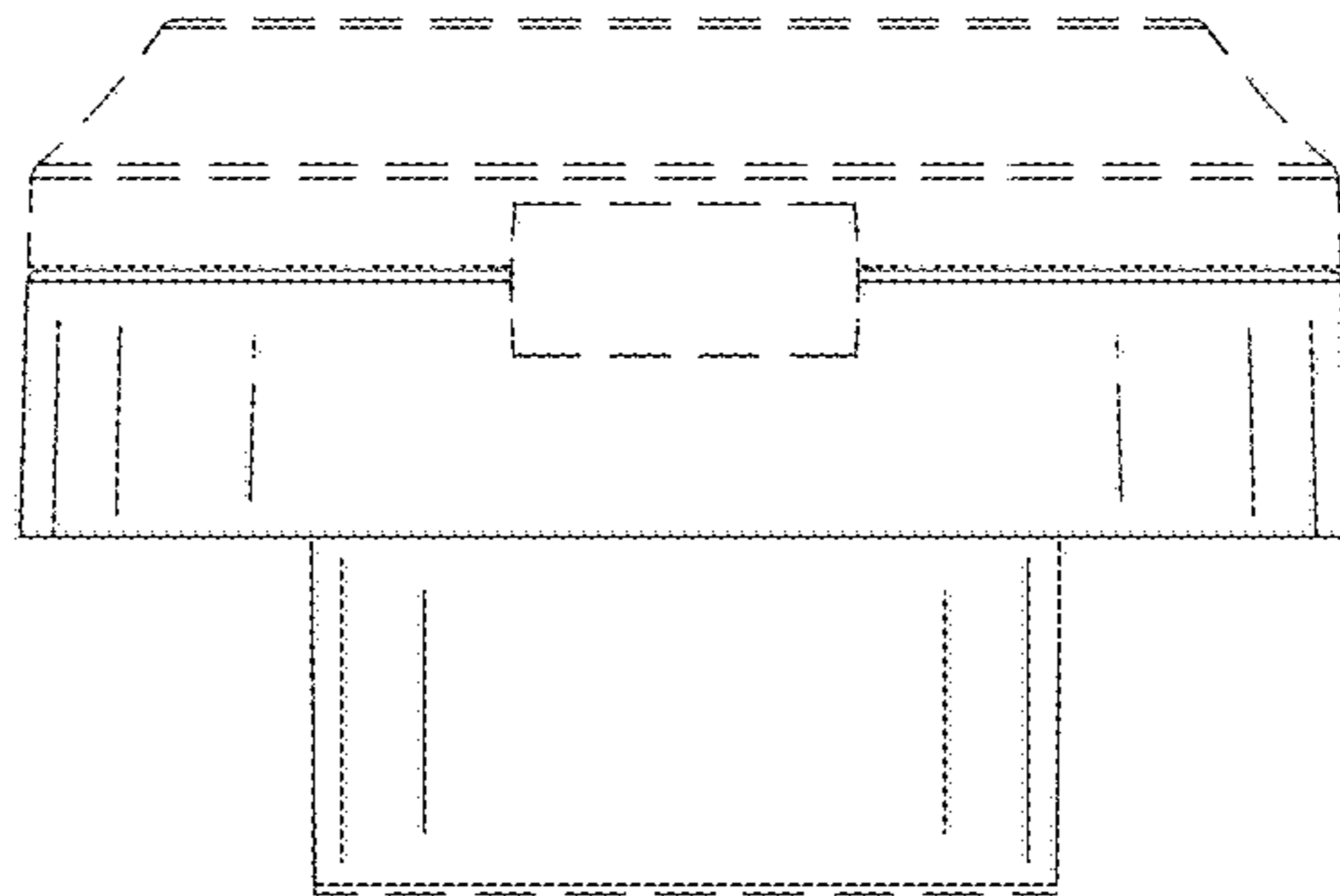


FIG. 3

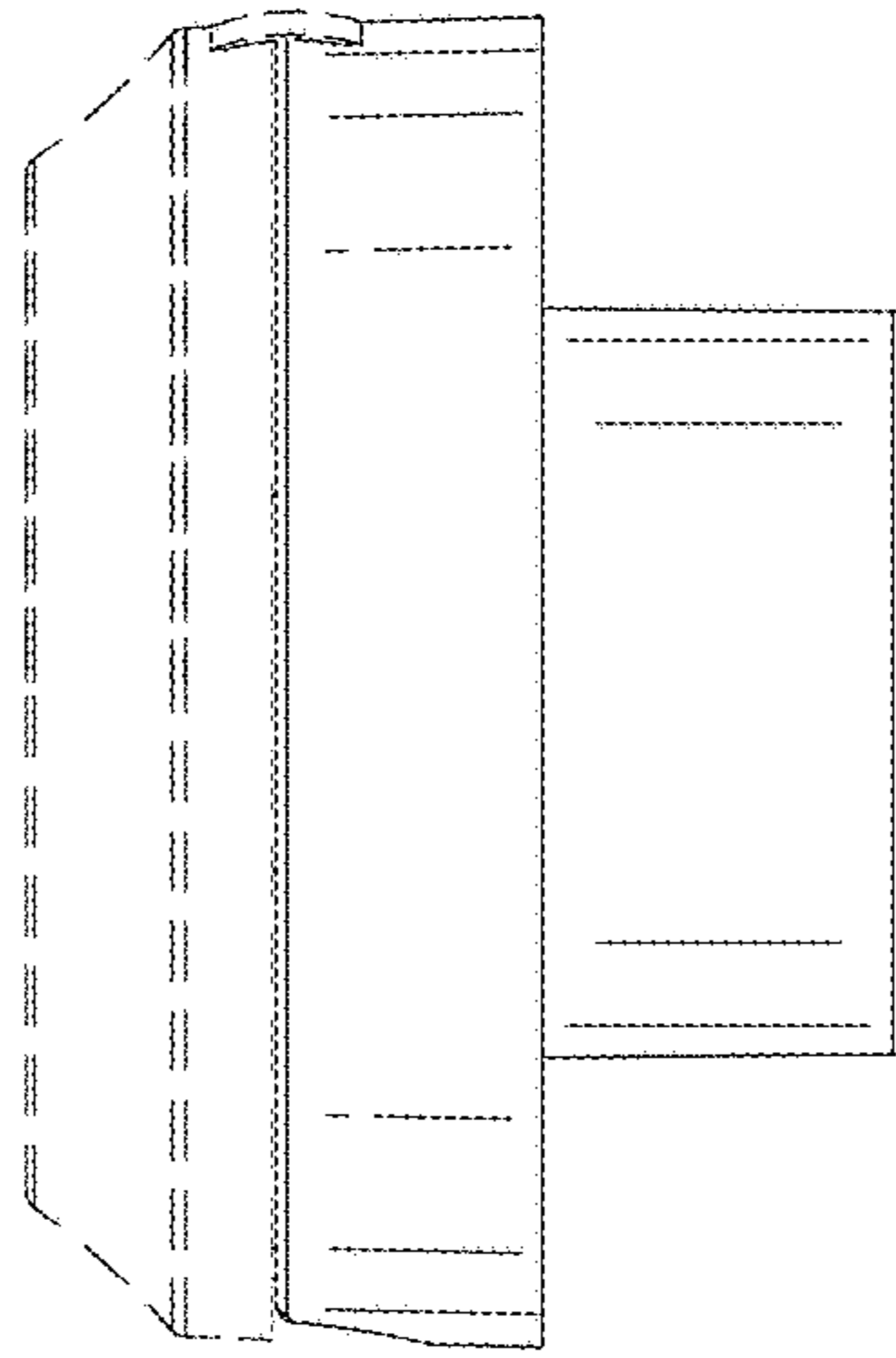


FIG. 5

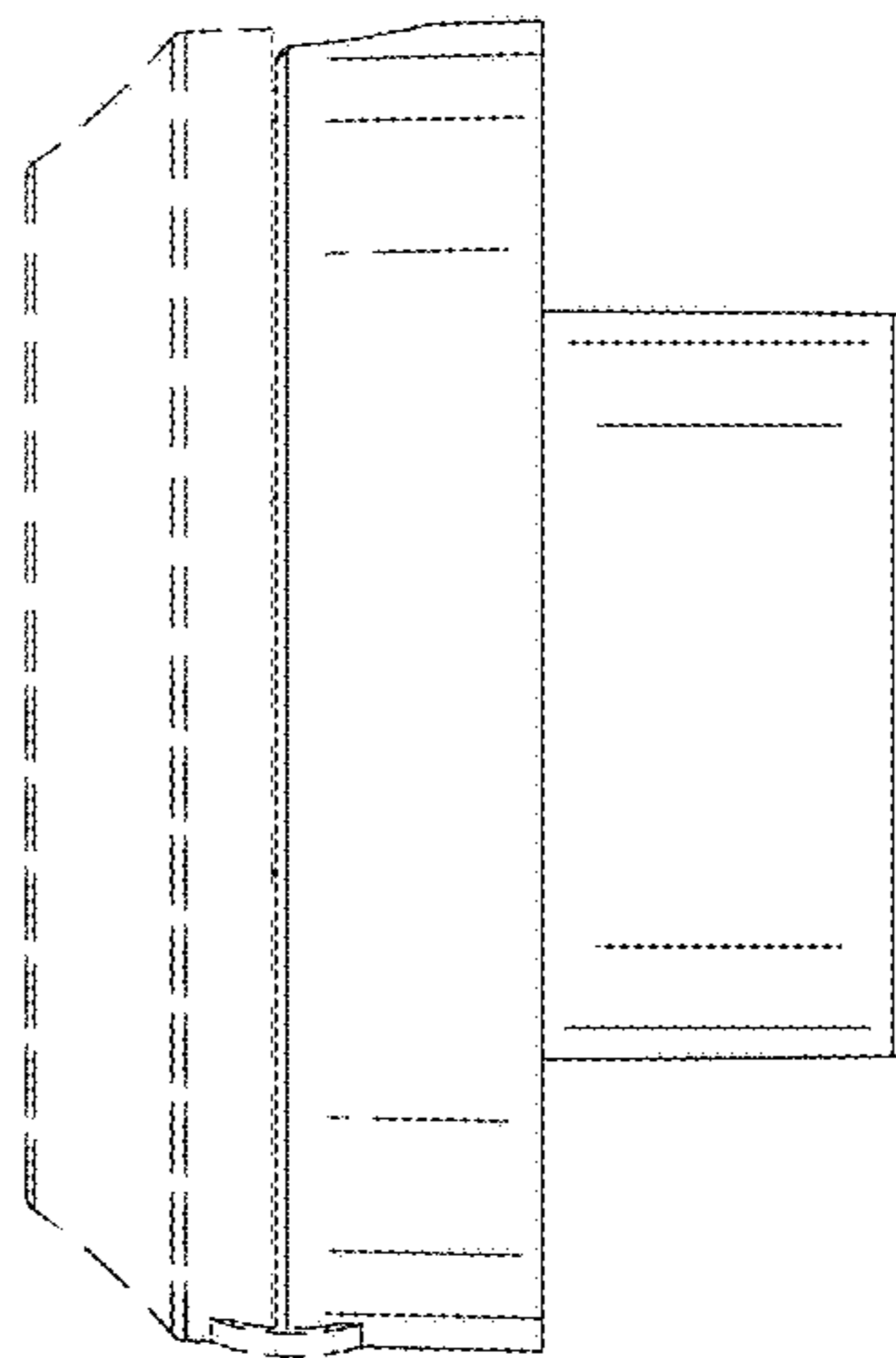


FIG. 4

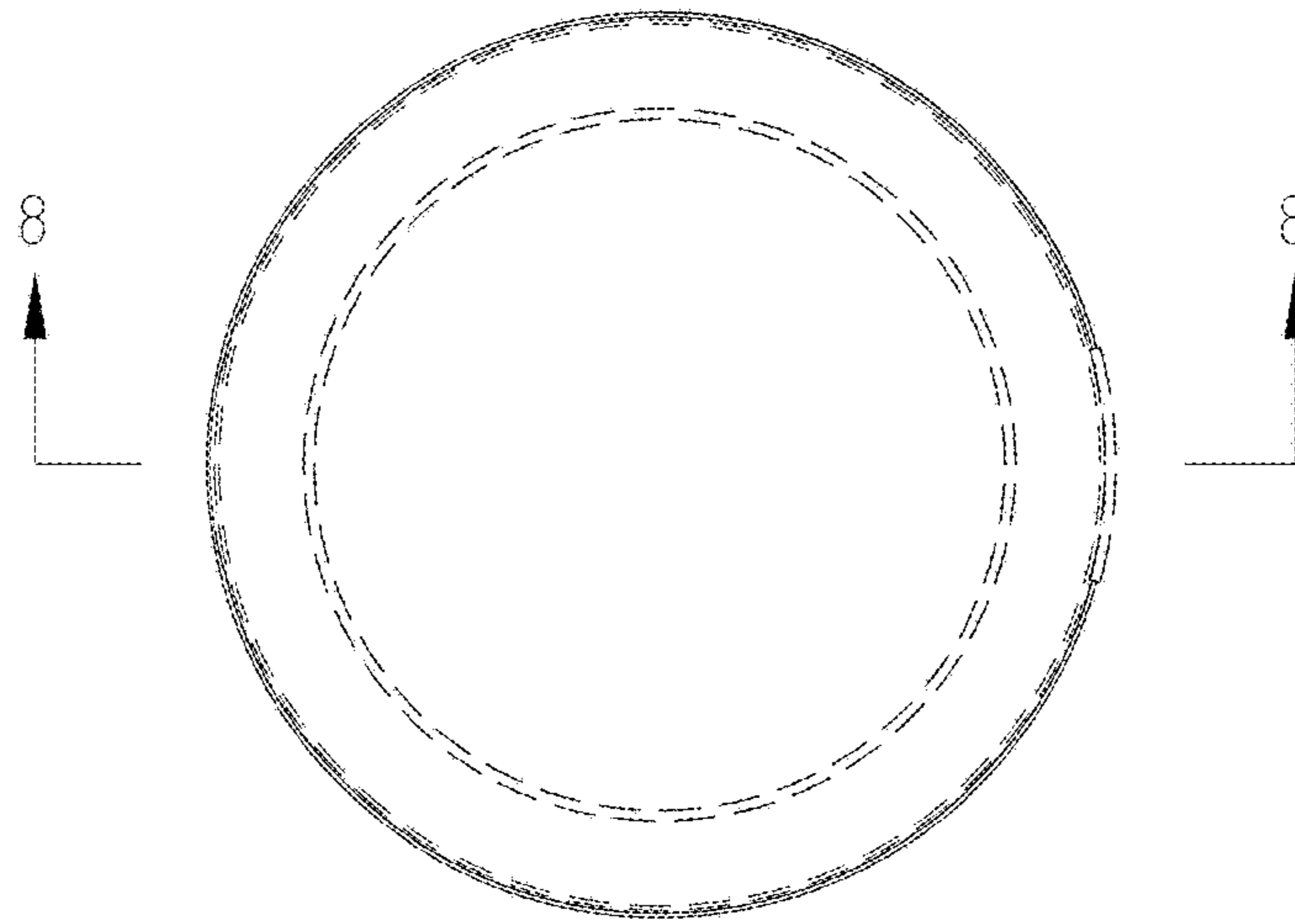


FIG. 6

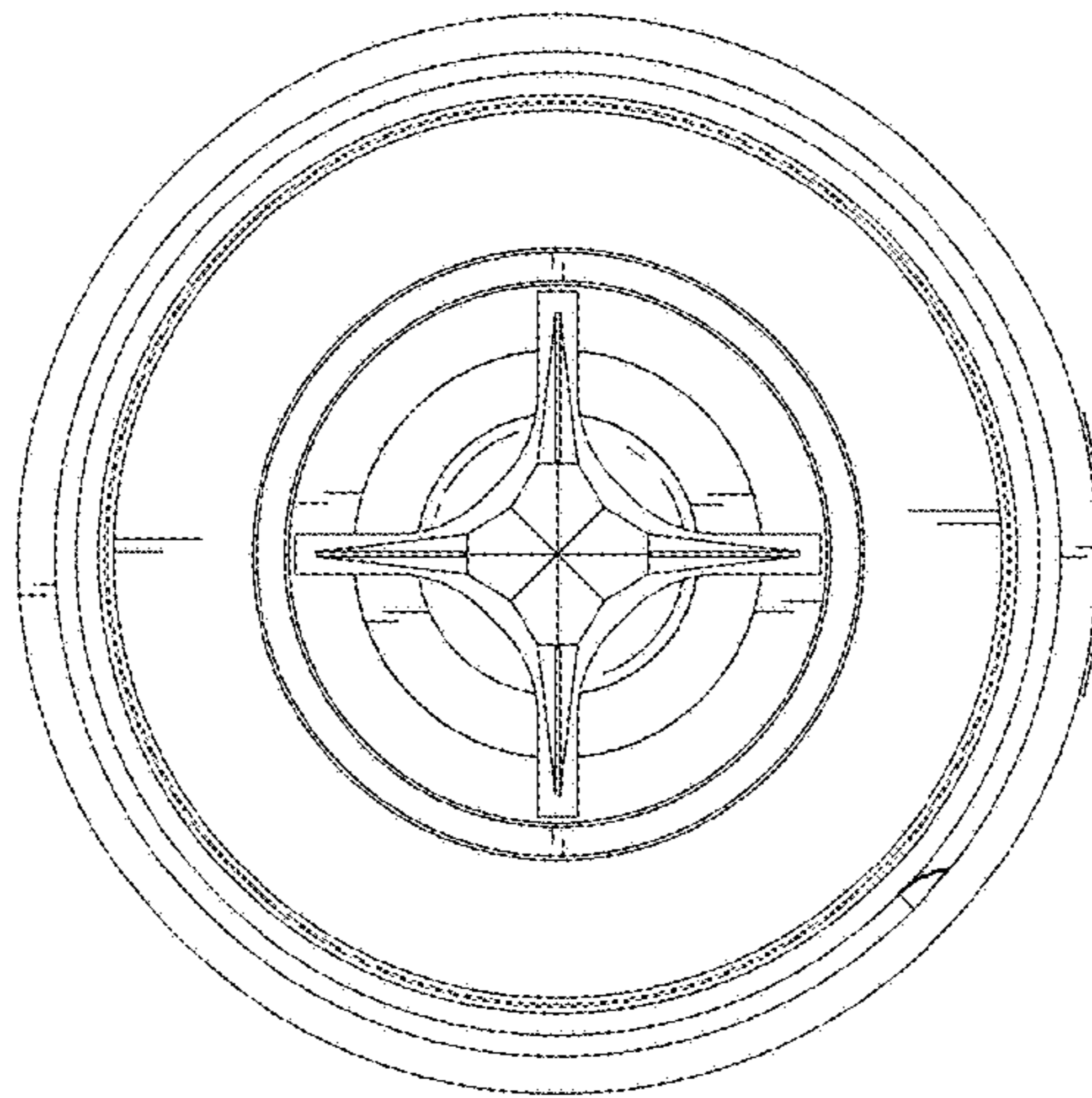


FIG. 7

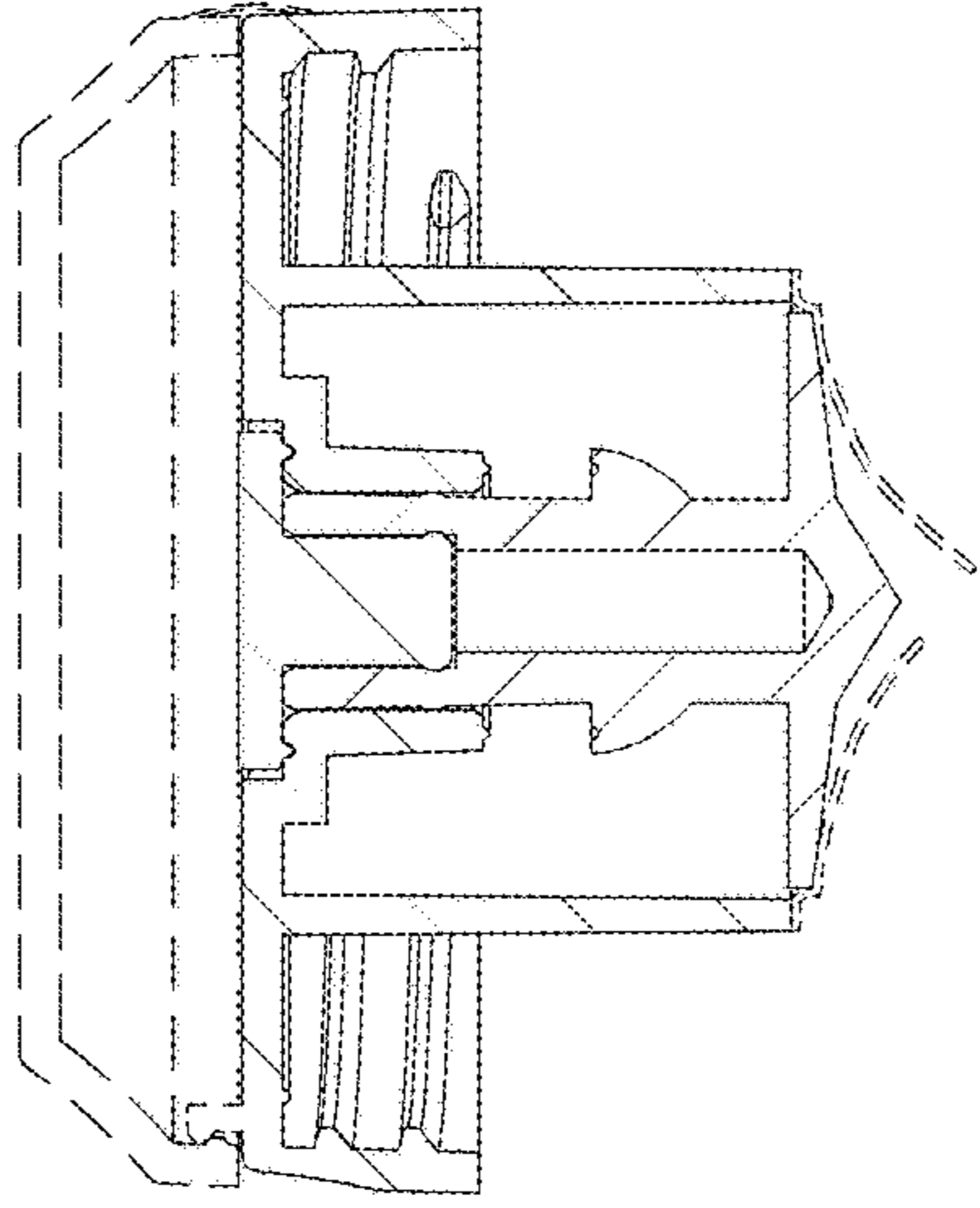


FIG. 9

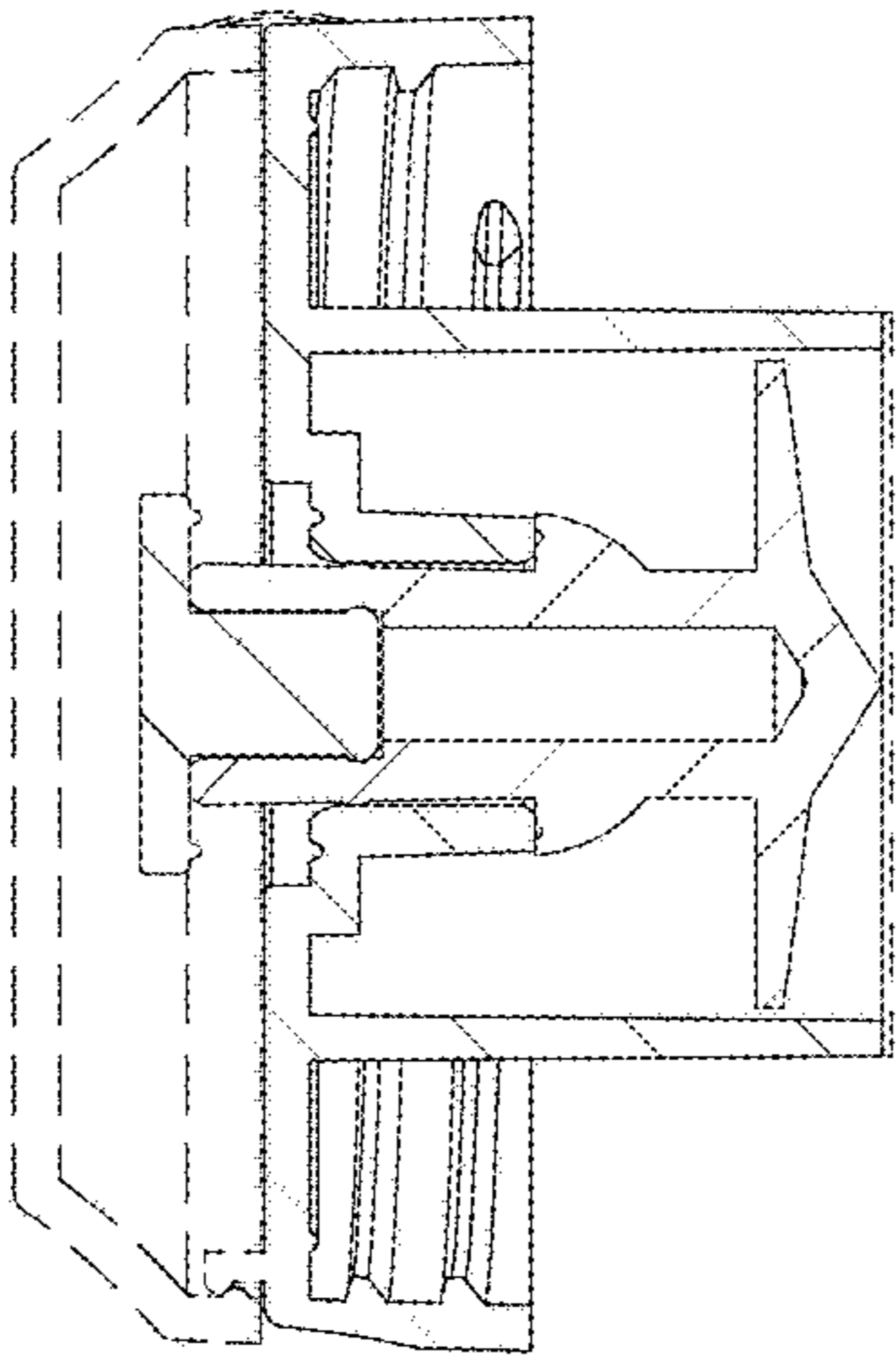


FIG. 8

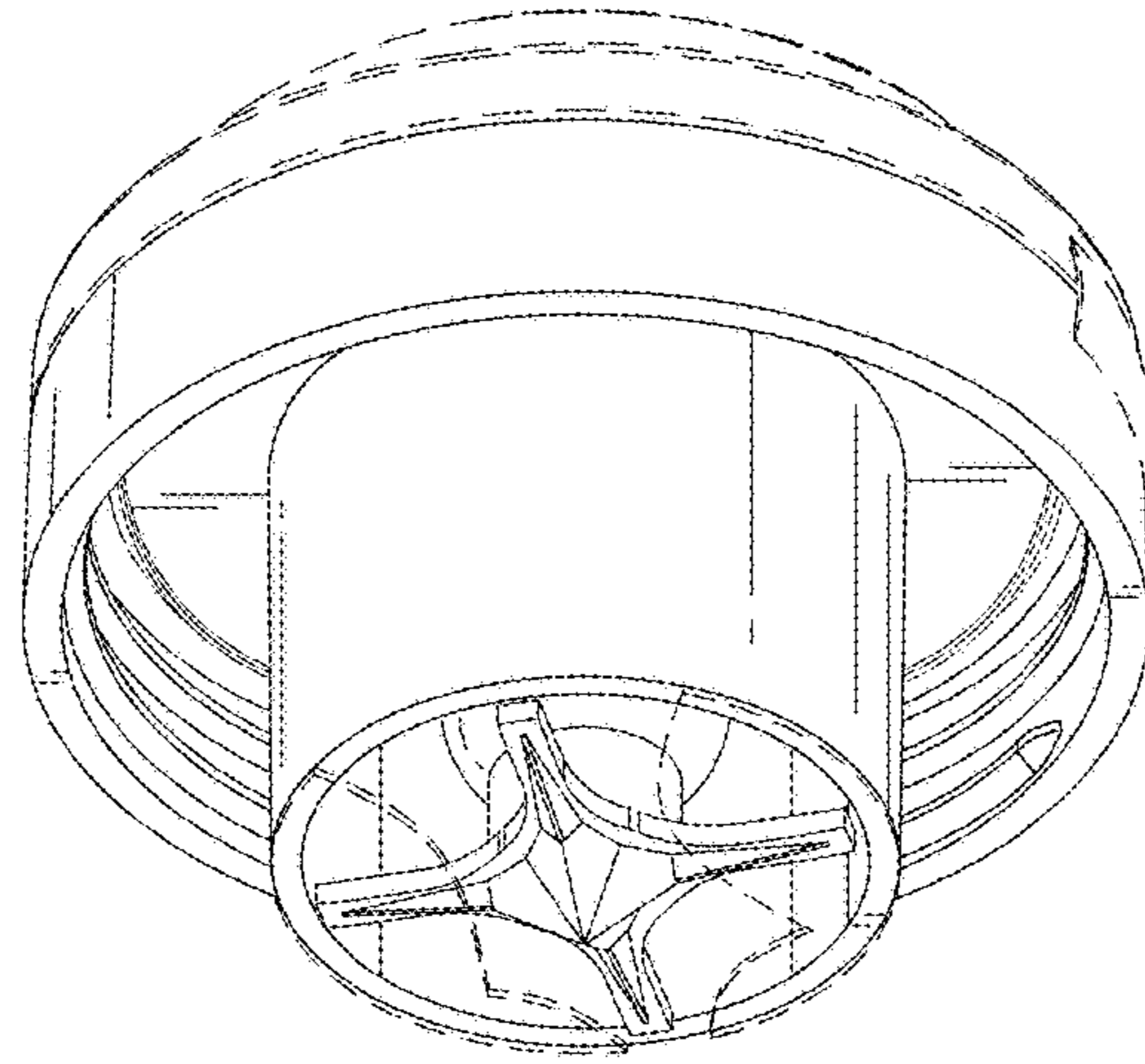


FIG. 10

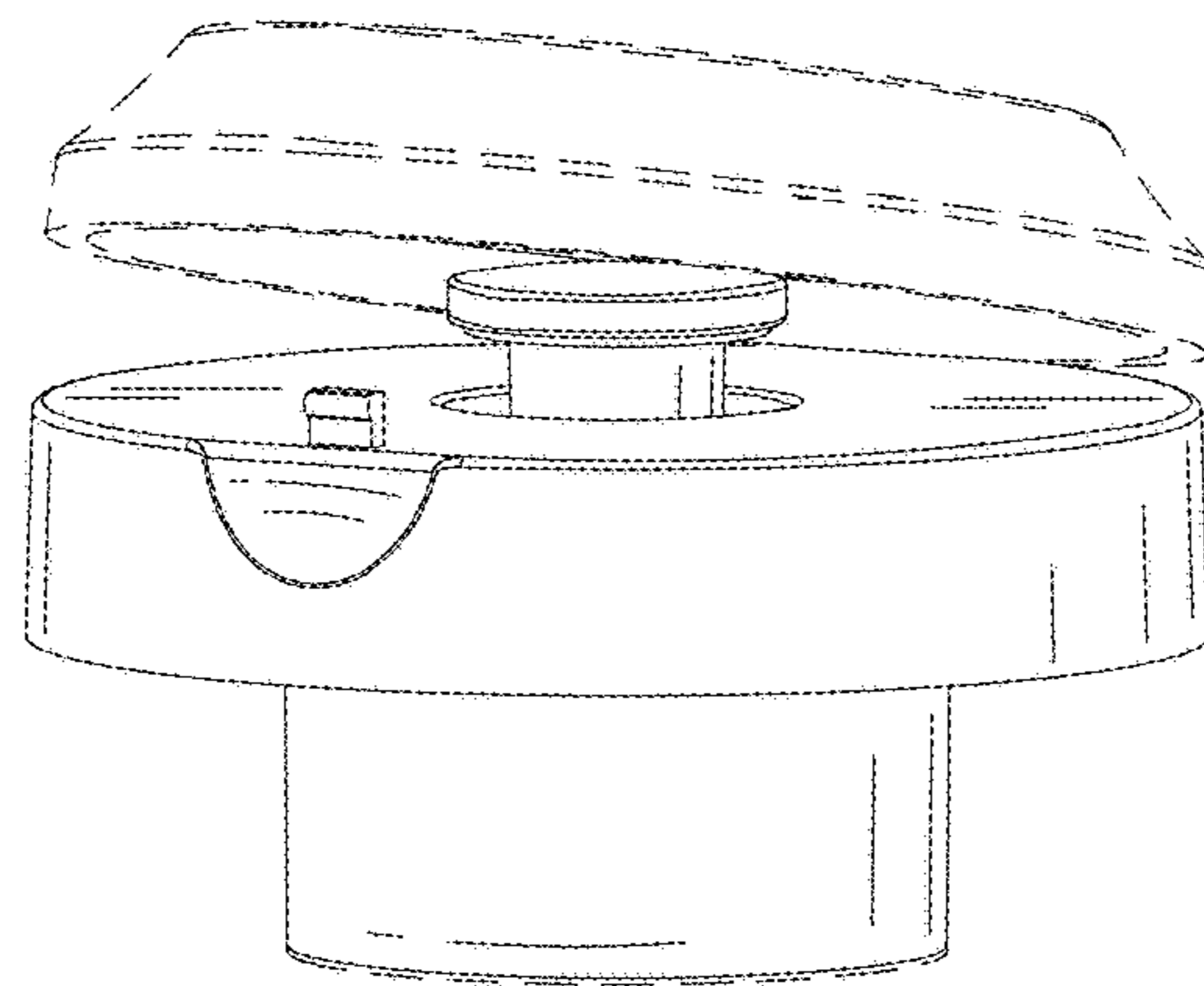


FIG. 11