



US00D855460S

(12) **United States Design Patent** (10) **Patent No.:** **US D855,460 S**
Sofy et al. (45) **Date of Patent:** **** Aug. 6, 2019**

(54) **CLOSURE CLIP**

B65D 2543/00296; B65D 5/46; B65D 2251/00

(71) Applicant: **HMS Mfg. Co.**, Troy, MI (US)

See application file for complete search history.

(72) Inventors: **Janet Sofy**, Troy, MI (US); **Todd Kemmer**, Clarkston, MI (US)

(56) **References Cited**

(73) Assignee: **HMS MFG. CO.**, Troy, MI (US)

U.S. PATENT DOCUMENTS

(**) Term: **15 Years**

D114,269	S	*	4/1939	Poux	24/428
2,499,898	A	*	3/1950	Anderson	A44B 18/0053 128/DIG. 15
D289,622	S	*	5/1987	Crowle	D11/216
6,036,364	A	*	3/2000	Heuvel	B65D 33/2591 24/399
D422,909	S	*	4/2000	Smith	D9/435
D439,866	S	*	4/2001	Savicki, Sr.	D11/221
D479,467	S	*	9/2003	Buchman	D9/434
6,637,939	B2	*	10/2003	Huffer	B65D 33/2591 383/100
D488,435	S	*	4/2004	Hirano	D13/103
6,728,997	B1	*	5/2004	Savicki	B65D 33/2591 24/399

(21) Appl. No.: **29/680,398**

(22) Filed: **Feb. 15, 2019**

Related U.S. Application Data

(63) Continuation of application No. 29/633,973, filed on Jan. 17, 2018.

(Continued)

(51) **LOC (12) Cl.** **09-07**

Primary Examiner — Michael A. Pratt

Assistant Examiner — Wendy L Arminio

(52) **U.S. Cl.**

(74) *Attorney, Agent, or Firm* — Dickinson Wright PLLC

USPC **D9/434**; D9/435

(58) **Field of Classification Search**

(57) **CLAIM**

The ornamental design for a closure clip, as shown and described.

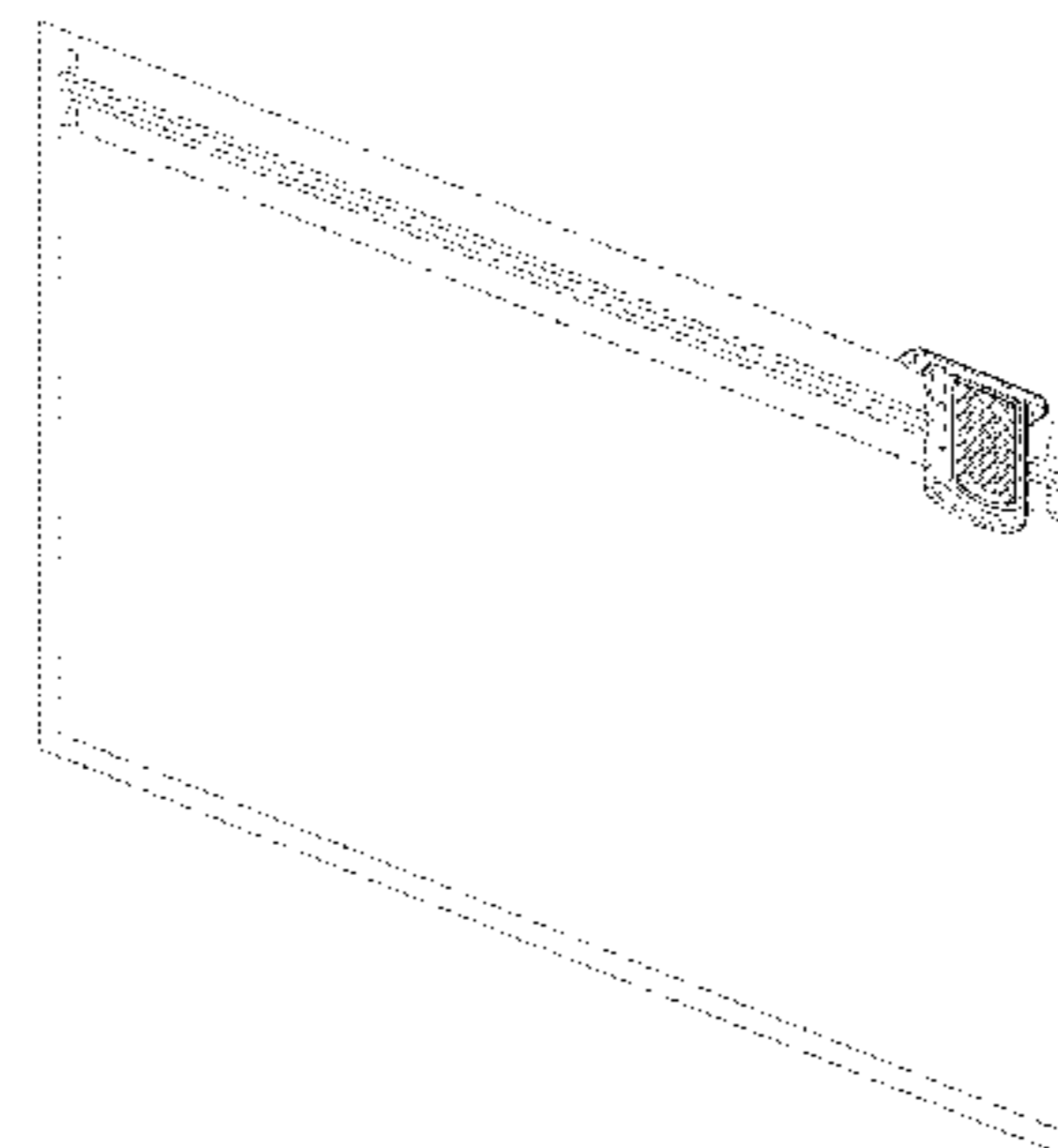
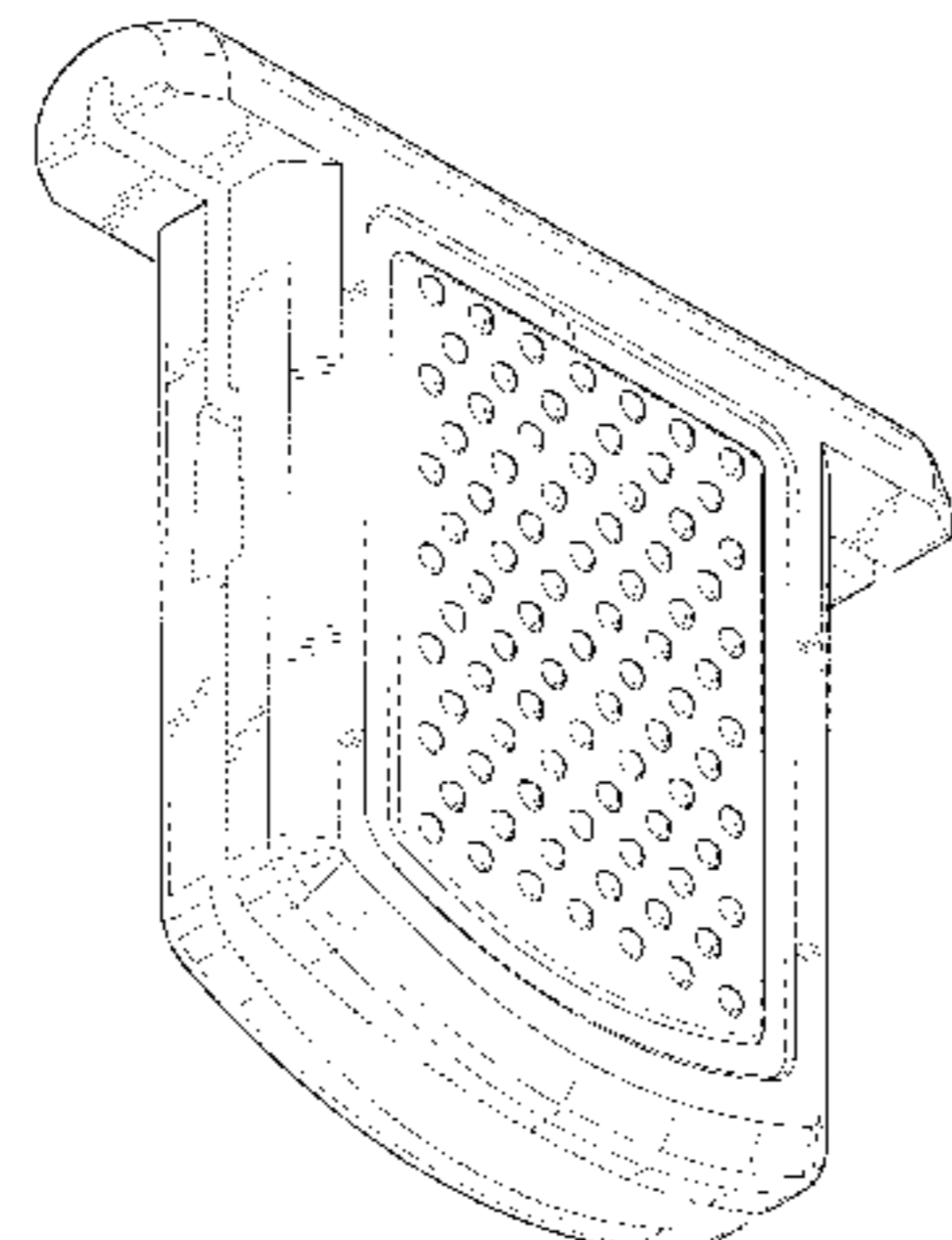
USPC D9/414, 416, 425, 434, 435, 436, 438, D9/439, 440, 442, 443, 446-450, D9/452-457, 499, 503-505, 682, 685, D9/686, 702, 703, 705, 708, 709; D7/387, 391, 392, 392.1, 393, 394, D7/396.1-396.4, 401.1, 509-511, 538, D7/900; D3/201, 202, 203.2, 318; D28/91, 91.1

DESCRIPTION

CPC .. A61J 1/00; A61J 1/1412; B65D 1/00; B65D 1/02; B65D 1/10; B65D 1/46; B65D 2585/56; B65D 2585/545; B65D 41/00; B65D 41/38; B65D 41/56; B65D 41/62; B65D 47/00; B65D 47/06; B65D 47/08; B65D 2543/00046; B65D 2543/00092;

FIG. 1 is a front perspective view of the closure clip; FIG. 2 is a top view of the closure clip; FIG. 3 is a bottom view of the closure clip; FIG. 4 is a front view of the closure clip; FIG. 5 is a rear view of the closure clip; FIG. 6 is a left side view of the closure clip; FIG. 7 is a right side view of the closure clip; and, FIG. 8 is a front perspective view of the closure clip mounted on a reclosable pouch. The broken lines in FIG. 8 illustrating a reclosable pouch depict environment only and form no part of the claimed

(Continued)



design. All other broken lines in the drawings depict portions of the closure clip that form no part of the claimed design.

1 Claim, 6 Drawing Sheets

(56)

References Cited

U.S. PATENT DOCUMENTS

D490,706	S	*	6/2004	Smith	D9/434
D493,613	S	*	8/2004	Goradesky	D3/218
D512,909	S	*	12/2005	Buchman	D9/434
D520,870	S	*	5/2006	Withers	D9/434
D525,122	S	*	7/2006	Turvey	D9/434
D546,383	S	*	7/2007	Wang	D18/50
7,255,477	B2	*	8/2007	Arnell	B65D 33/2591 383/61.2
D558,979	S	*	1/2008	Wu	D3/318
D621,393	S	*	8/2010	Panahi	D13/103
D807,215	S	*	1/2018	Martin	D10/104.1
D808,657	S	*	1/2018	Gerbelle	D3/324
D815,957	S	*	4/2018	Turvey	D9/705
D834,771	S	*	11/2018	Theno	D30/199
2004/0136618	A1	*	7/2004	Ausnit	B65D 33/2591 383/64
2005/0063616	A1	*	3/2005	Chang	B65D 33/2591 383/5

* cited by examiner

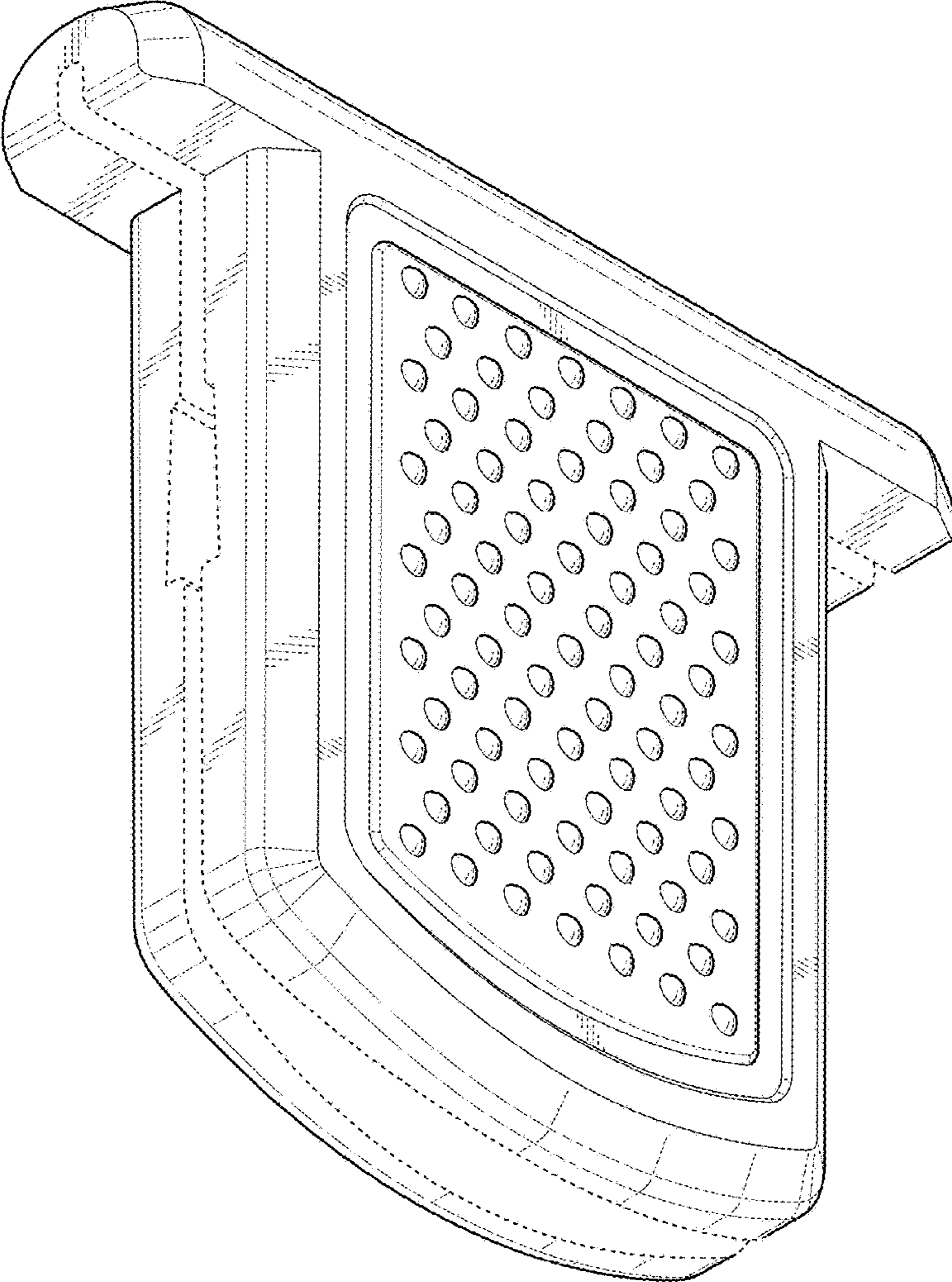


FIG. 1

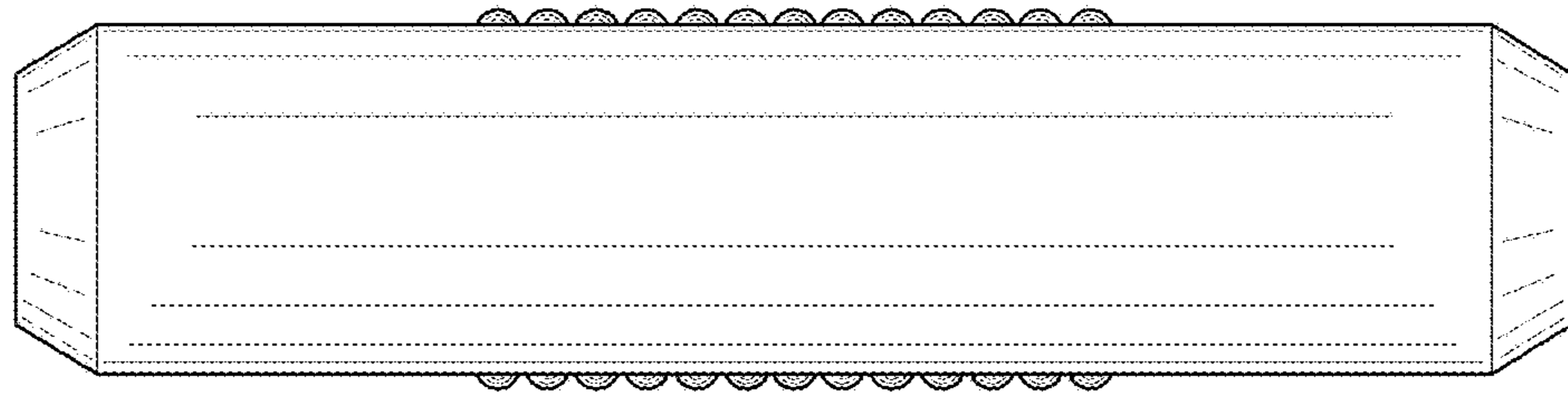


FIG. 2

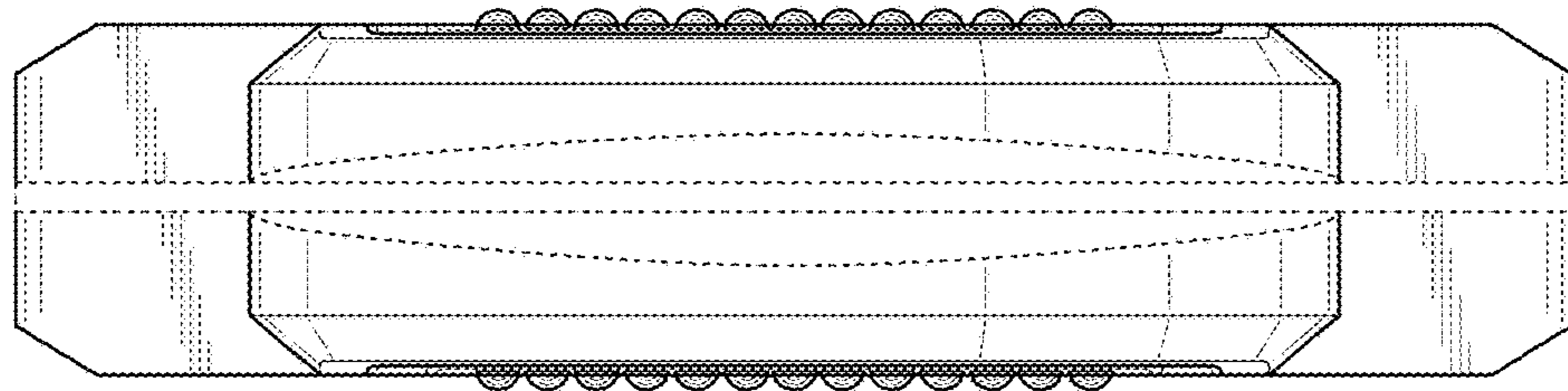


FIG. 3

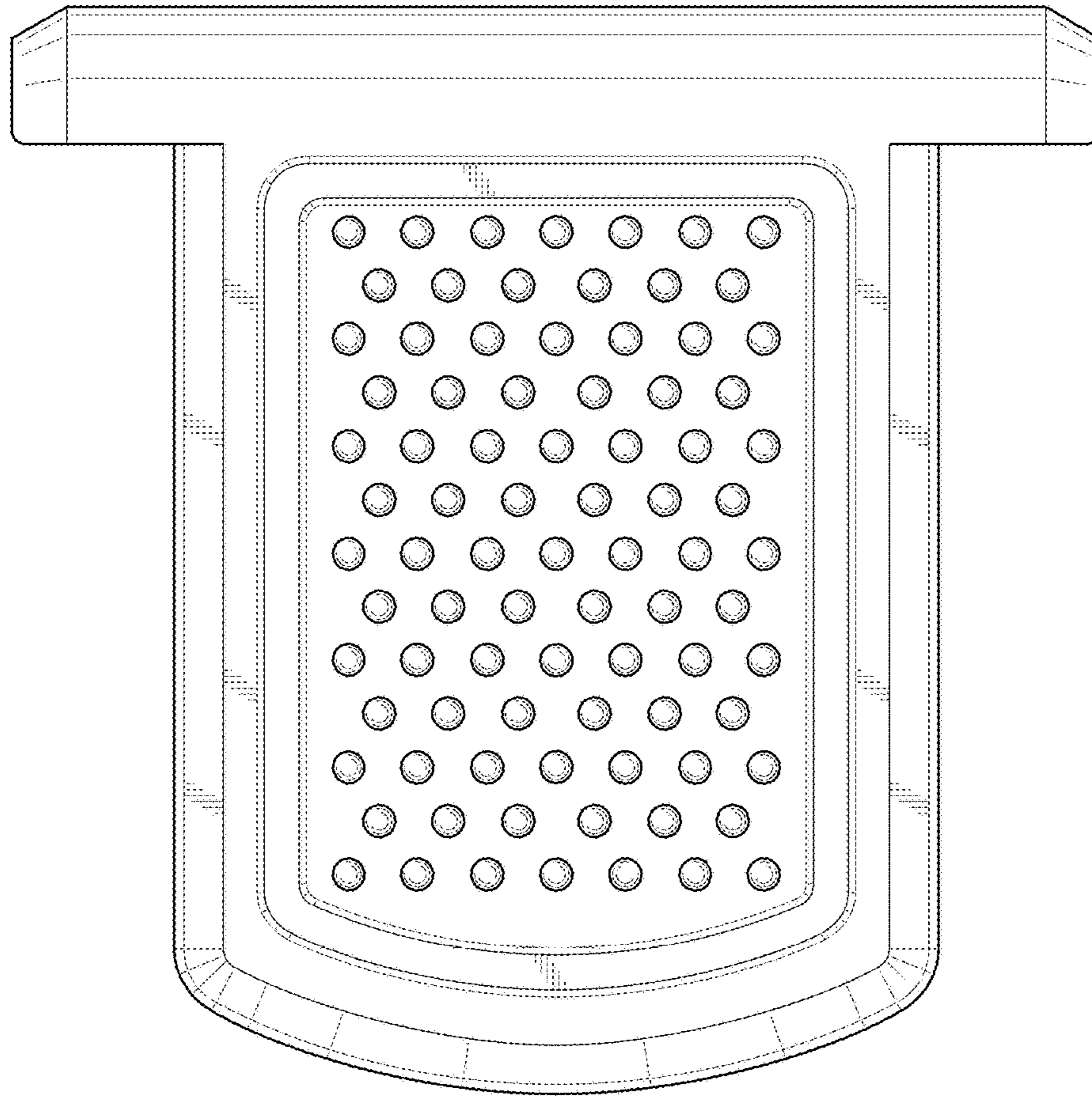


FIG. 4

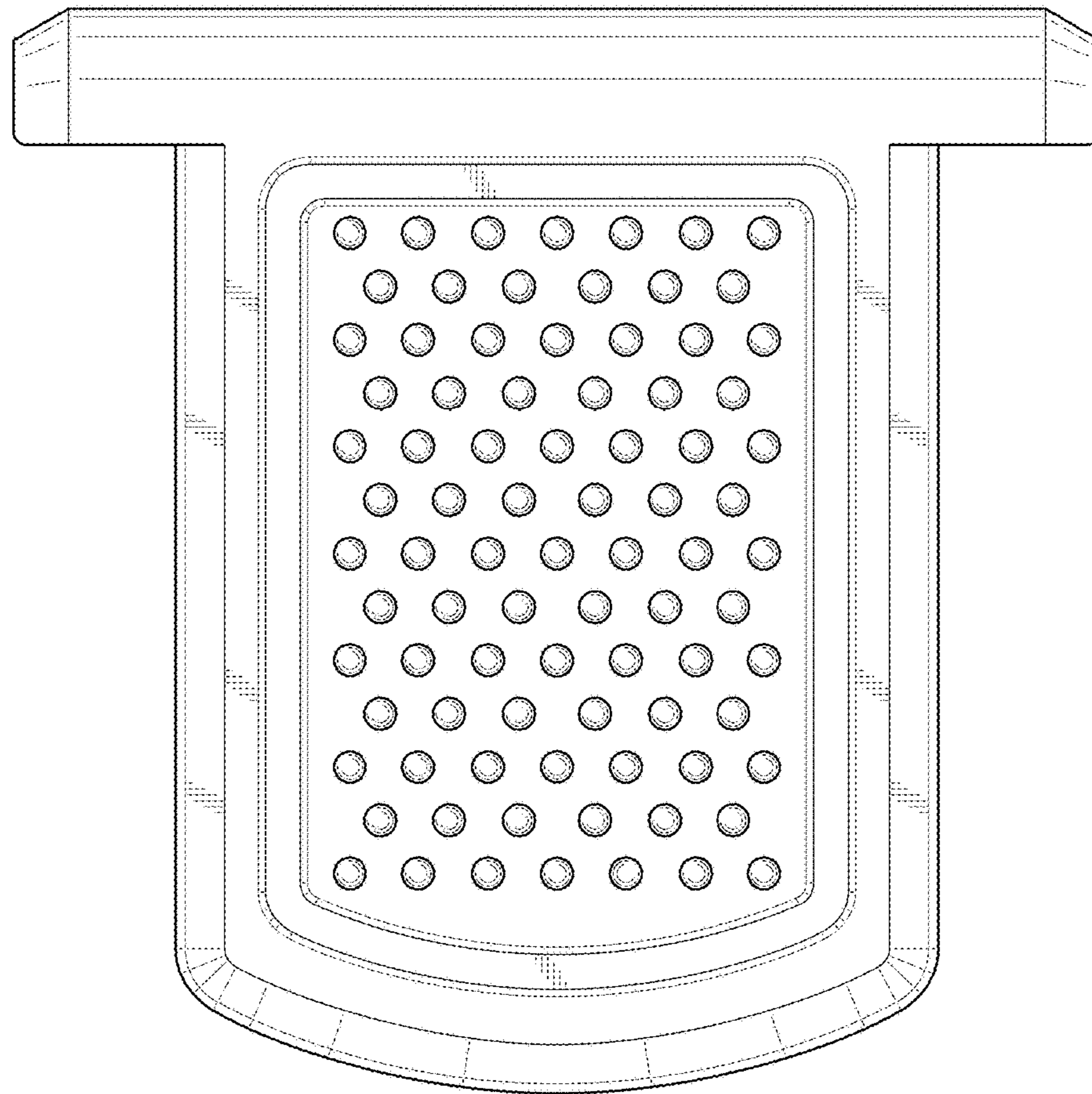


FIG. 5

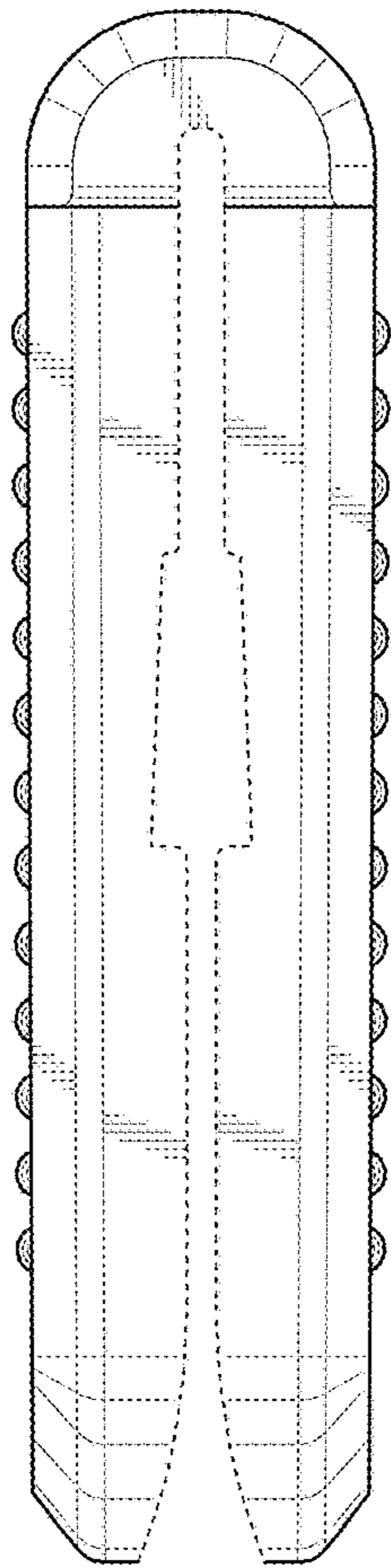


FIG. 6

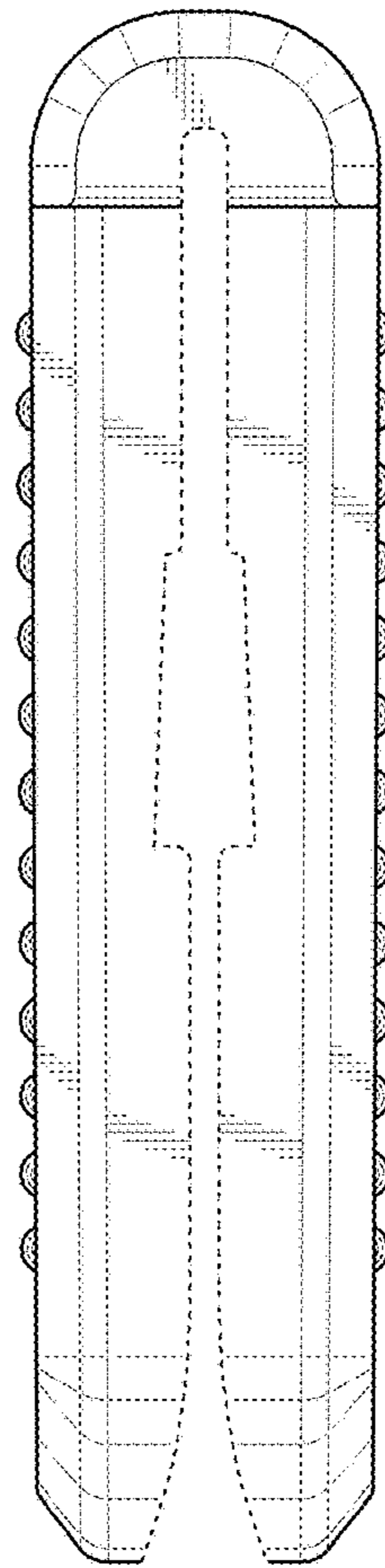


FIG. 7

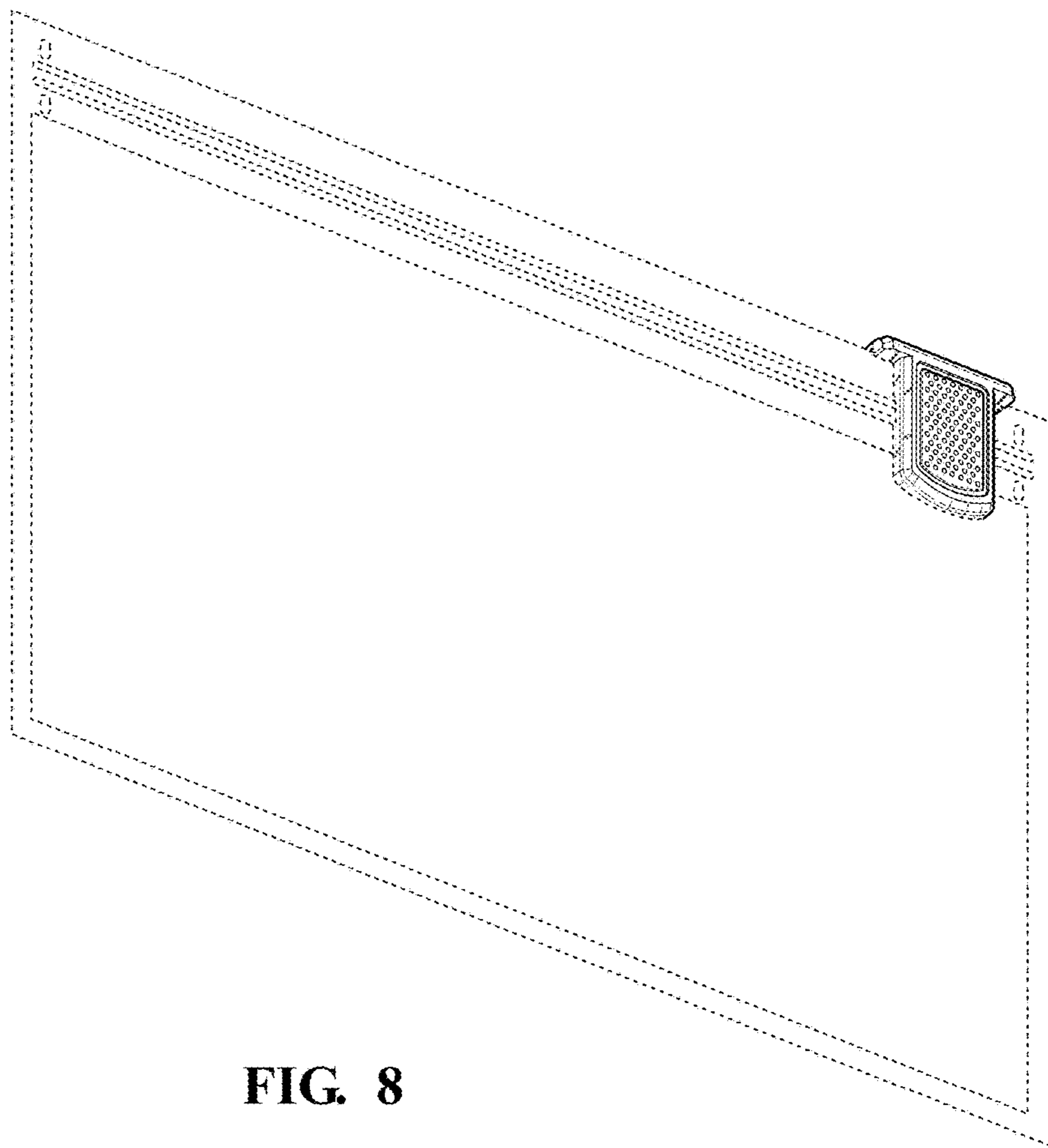


FIG. 8