



US00D855454S

(12) **United States Design Patent** (10) **Patent No.:** **US D855,454 S**
Sanfilippo et al. (45) **Date of Patent:** **** Aug. 6, 2019**

- (54) **PACKAGE**
- (71) Applicant: **PRIMAPAK, LLC**, Elgin, IL (US)
- (72) Inventors: **James J. Sanfilippo**, Barrington Hills, IL (US); **Milorad Radenovic**, Chicago, IL (US); **Eric Feld**, Aurora, IL (US)
- (73) Assignee: **PRIMAPAK, LLC**, Elgin, IL (US)
- (**) Term: **15 Years**
- (21) Appl. No.: **29/527,187**
- (22) Filed: **May 15, 2015**
- (51) **LOC (12) Cl.** **09-03**
- (52) **U.S. Cl.**
USPC **D9/420**
- (58) **Field of Classification Search**
USPC D9/420, 430, 414-418, 432, 434, 435,
D9/756, 433; 229/117.33, 232
CPC B65D 5/705; B65D 83/0847
See application file for complete search history.

- D740,114 S * 10/2015 Sanfilippo D9/416
- D746,673 S * 1/2016 Sanfilippo D9/416
- D747,646 S * 1/2016 Sanfilippo D9/416
- D748,468 S * 2/2016 Angeloni D9/420
- D754,534 S * 4/2016 Sanfilippo D9/432
- D756,219 S * 5/2016 Sanfilippo D9/435
- D761,651 S * 7/2016 Sanfilippo D9/417
- D762,487 S * 8/2016 Safullin D9/756
- D764,914 S * 8/2016 Sanfilippo D9/435
- D766,082 S * 9/2016 Sanfilippo D9/434
- D775,946 S * 1/2017 Ghini D9/430

(Continued)

Primary Examiner — Rhea Shields

(74) Attorney, Agent, or Firm — Marshall, Gerstein & Borun LLP

(57) **CLAIM**

The ornamental design for a package, as shown and described.

DESCRIPTION

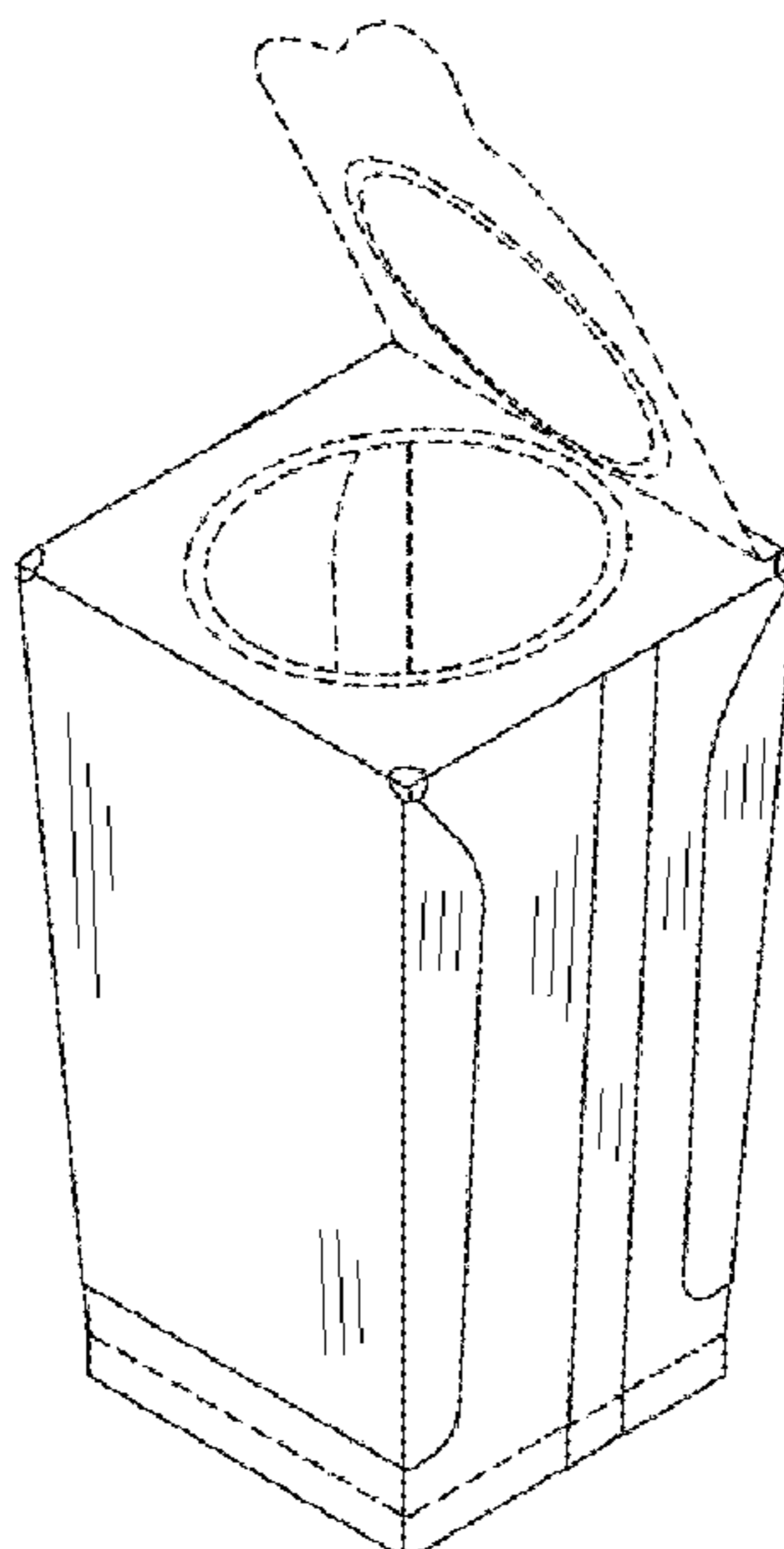
FIG. 1 is a front, right-side, and top isometric view of the package in an open configuration, showing the new design. FIG. 2 is a front view of the package. FIG. 3 is a side view of the package. FIG. 4 is another side view of the package. FIG. 5 is a top plan view of the package. FIG. 6 is a bottom plan view of the package. FIG. 7 is a bottom and rear isometric view of the package. FIG. 8 is a bottom and front isometric view of the package. FIG. 9 is a front, right-side, and top isometric view of the package in a closed configuration, showing the new design. FIG. 10 is a front view in the closed configuration; and, FIG. 11 is a side view in the closed configuration. In the drawings, the broken lines are for the purpose of illustrating environment only and form no part of the claimed design.

1 Claim, 8 Drawing Sheets

(56) **References Cited**

U.S. PATENT DOCUMENTS

- 2,339,156 A * 1/1944 Davis B65D 5/705
229/117.33
- D521,373 S * 5/2006 Stanton D9/430
- D521,376 S * 5/2006 Mosto D9/430
- D549,093 S * 8/2007 Weakland D9/420
- D571,197 S * 6/2008 Sanfilippo D9/420
- D578,884 S * 10/2008 Rozanski D9/432
- D589,343 S * 3/2009 Bohache D9/430
- D616,300 S * 5/2010 Shaikh D9/430
- D618,544 S * 6/2010 Collins D9/420
- D668,949 S 10/2012 Hipperson et al.
- D682,684 S * 5/2013 Walter D9/434
- D733,549 S * 7/2015 Sanfilippo D9/414
- D734,144 S * 7/2015 Sanfilippo D9/416



(56)

References Cited

U.S. PATENT DOCUMENTS

D777,026 S *	1/2017	Sanfilippo	D9/416
D778,721 S *	2/2017	Sanfilippo	D9/416
D787,934 S *	5/2017	Bore	D9/433
2005/0109827 A1 *	5/2005	Martin	B65D 83/0847 229/232

* cited by examiner

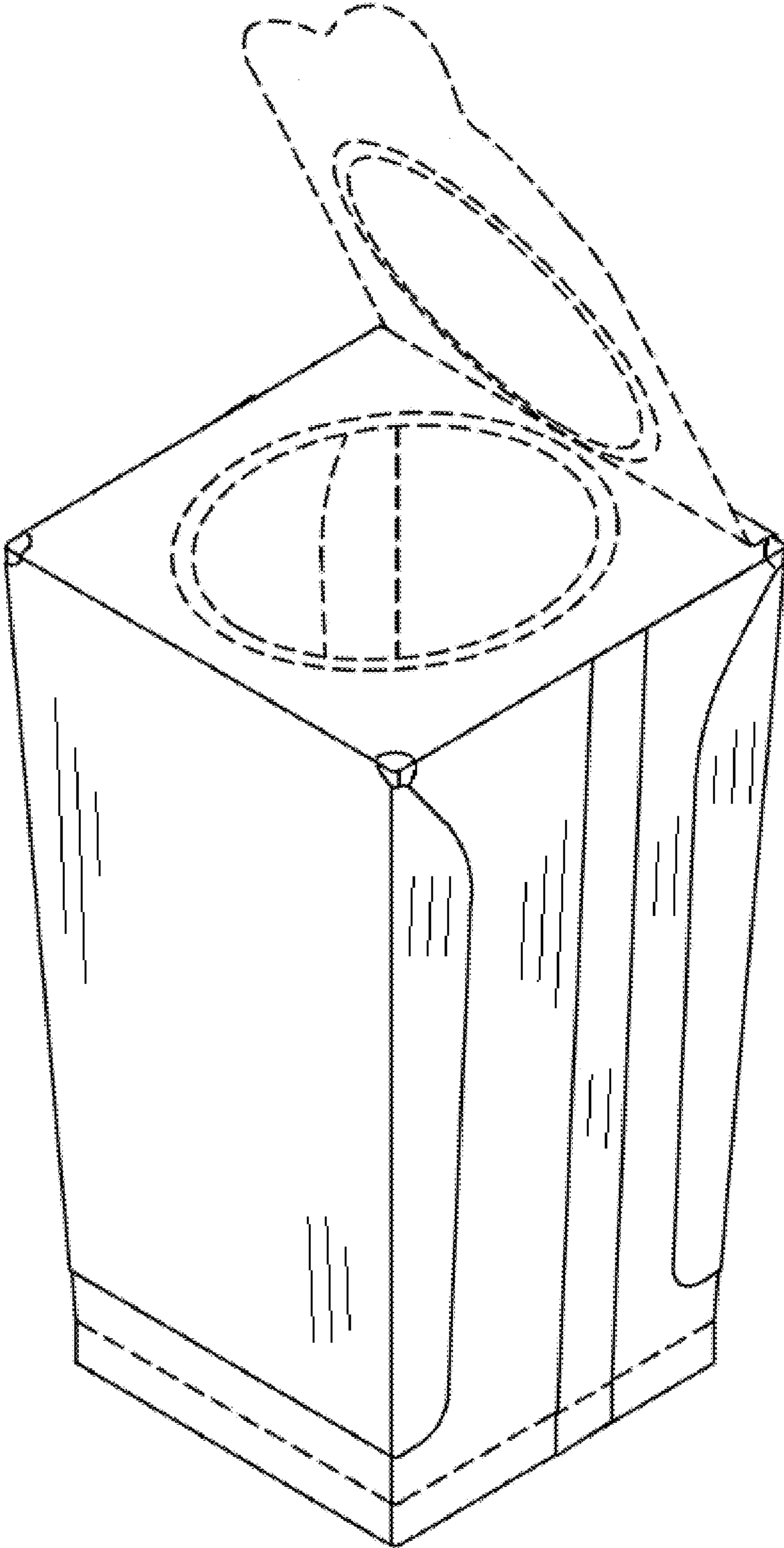


Fig. 1

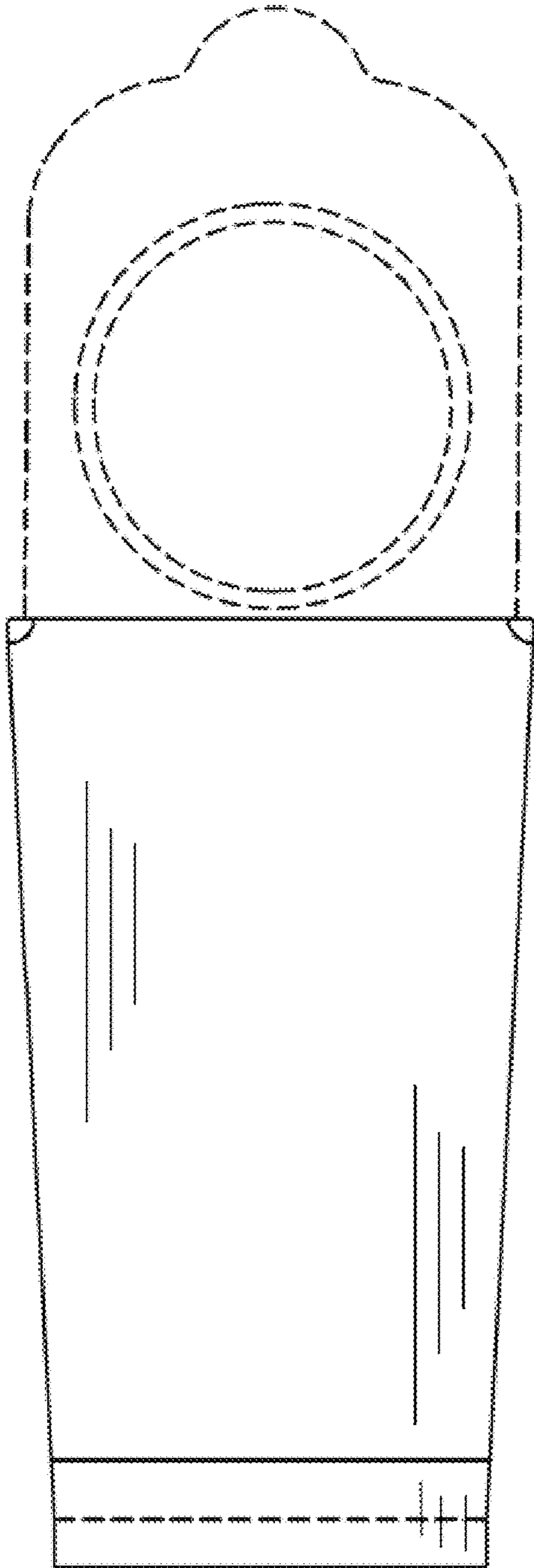


Fig. 2

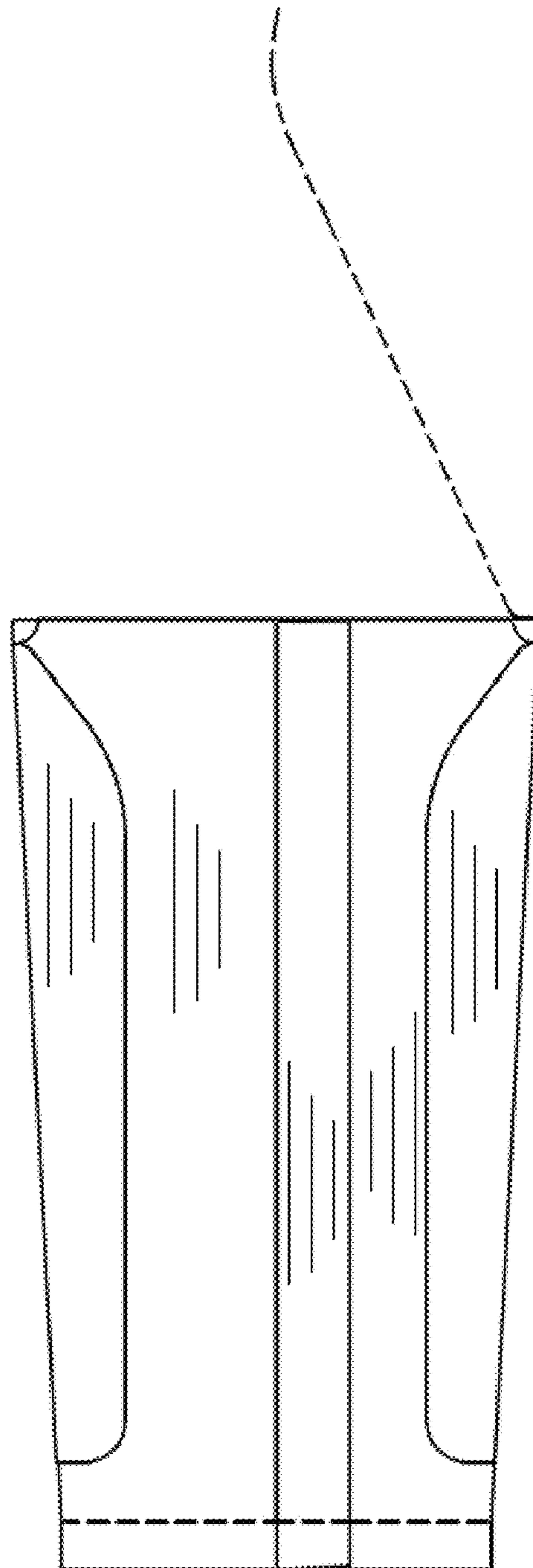


Fig. 3

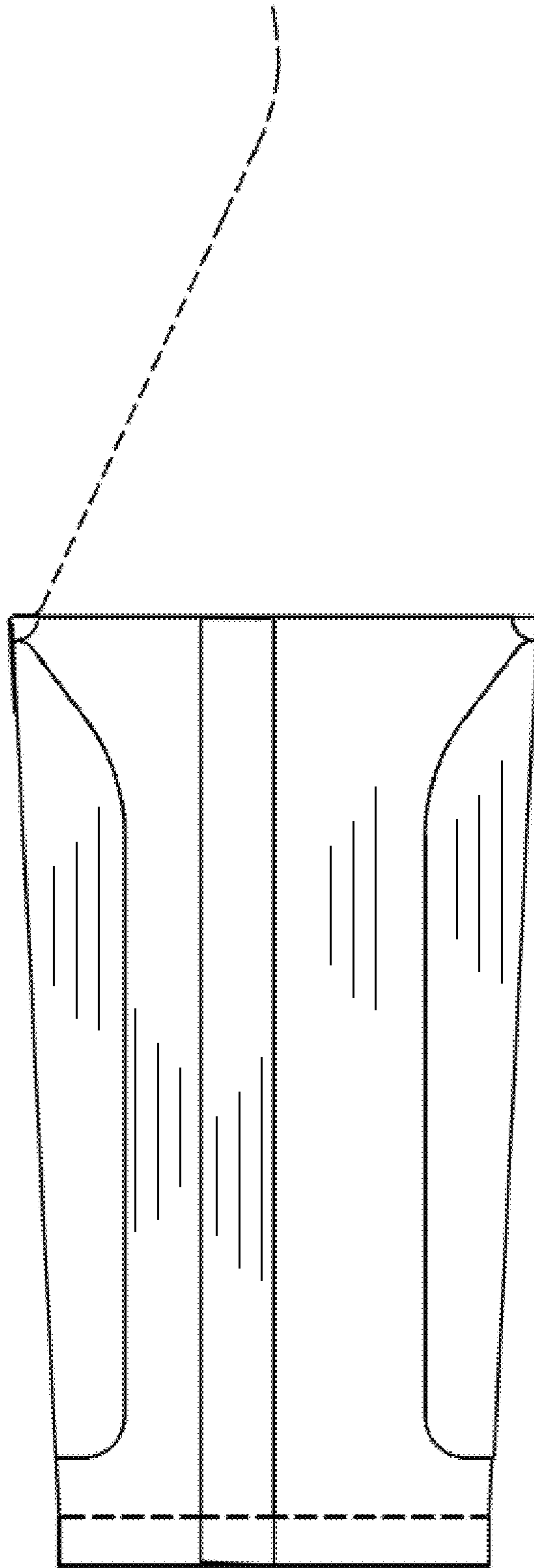


Fig. 4

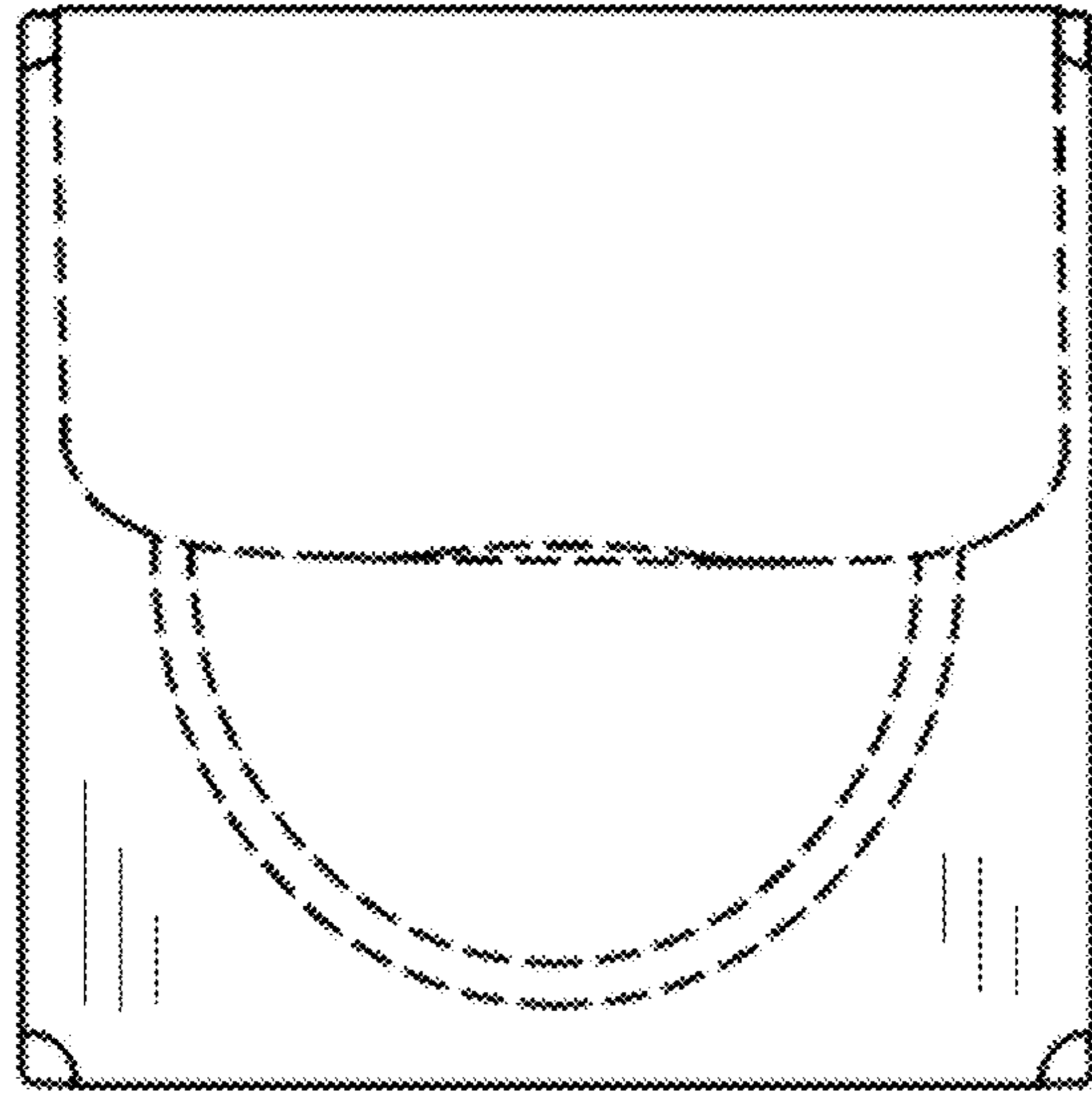


Fig. 5

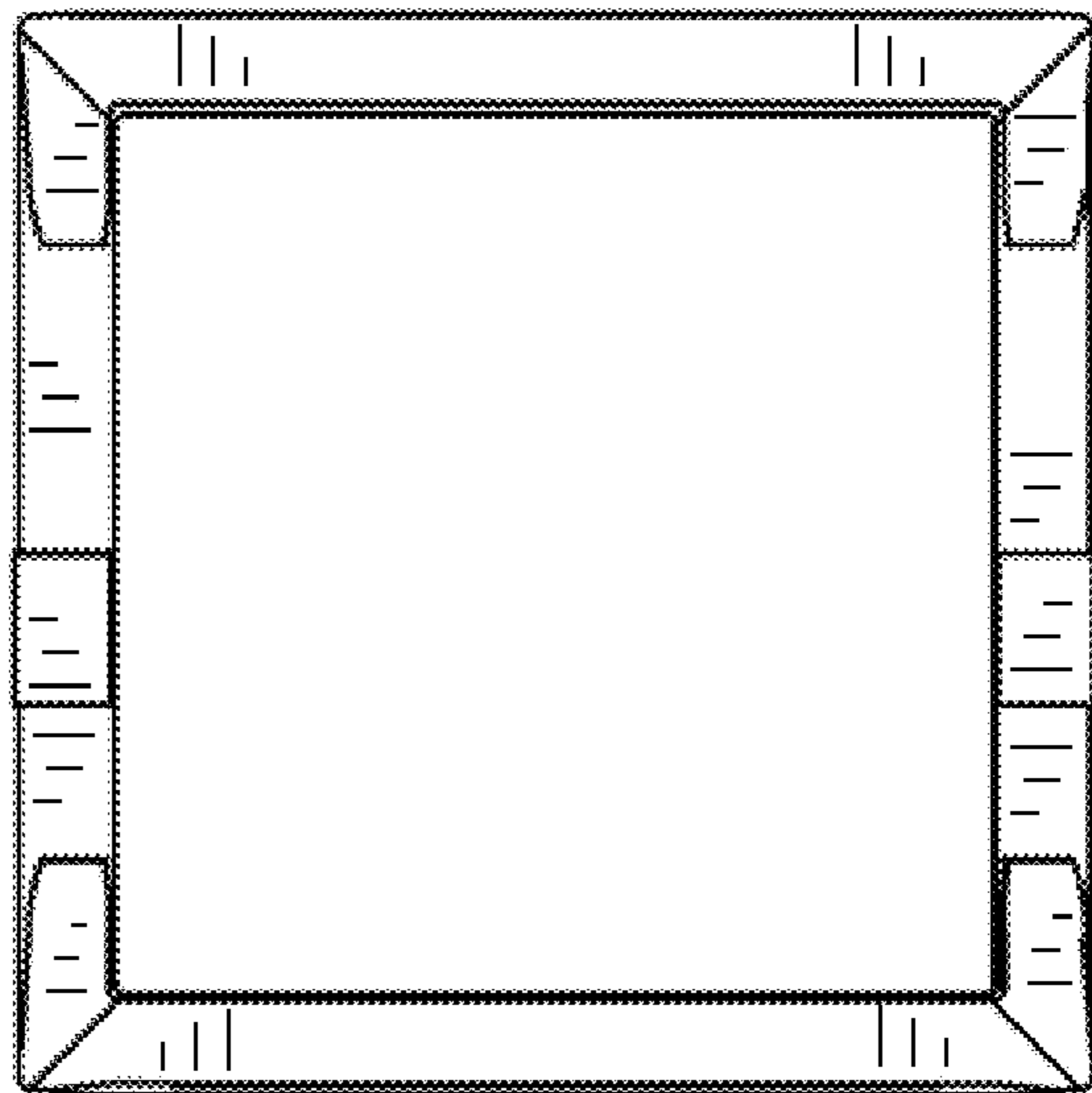


Fig. 6

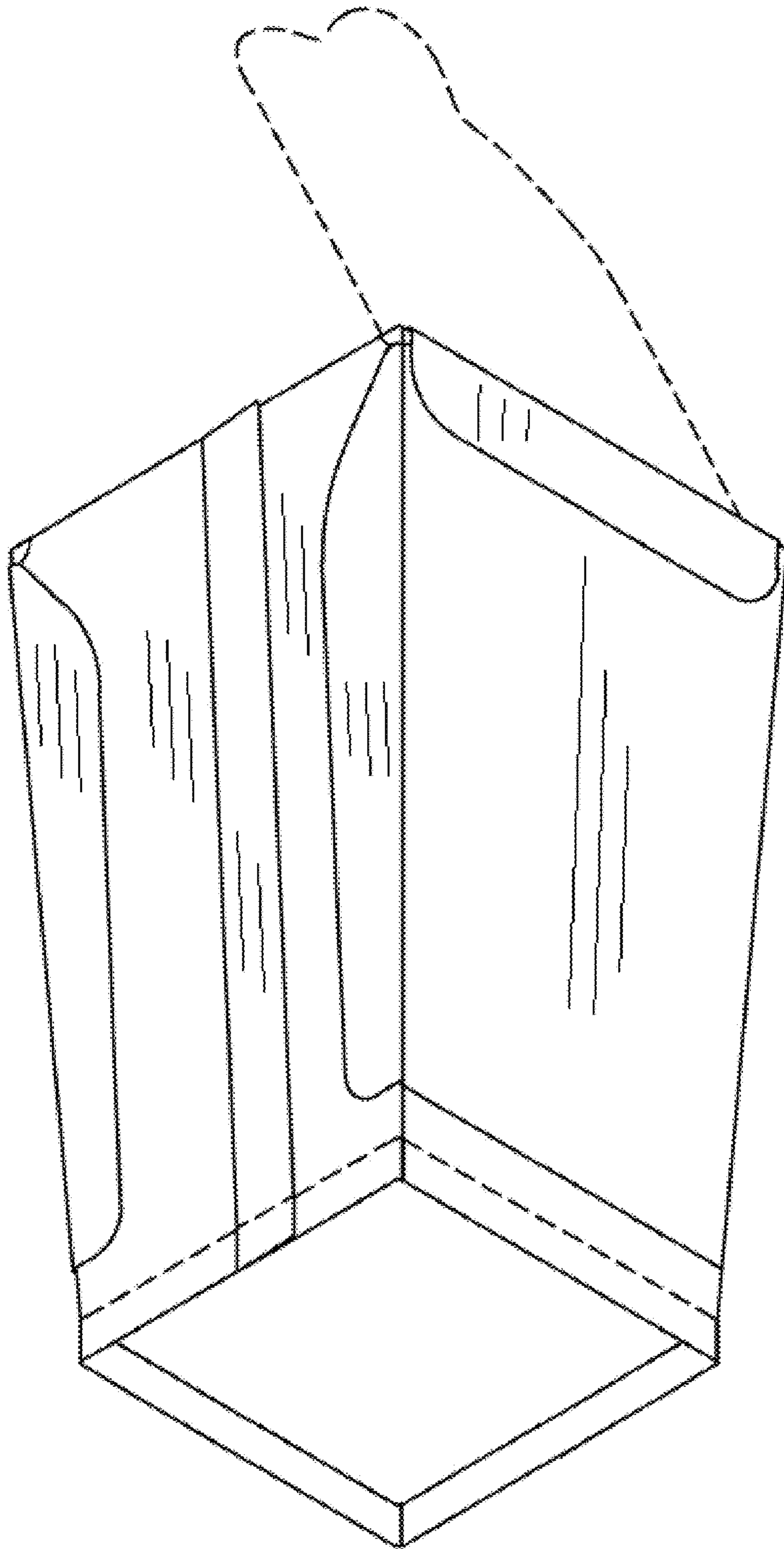


Fig. 7

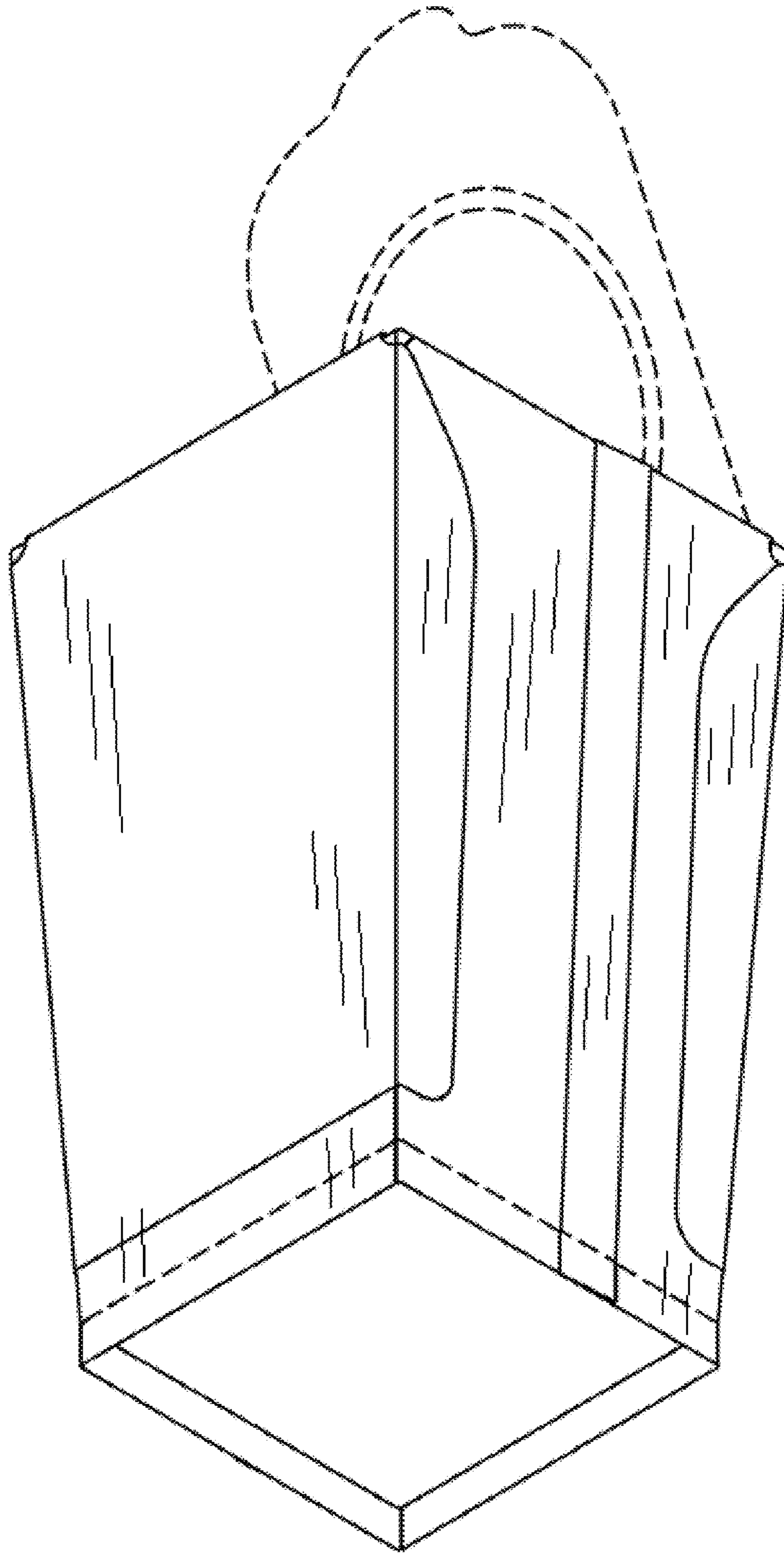


Fig. 8

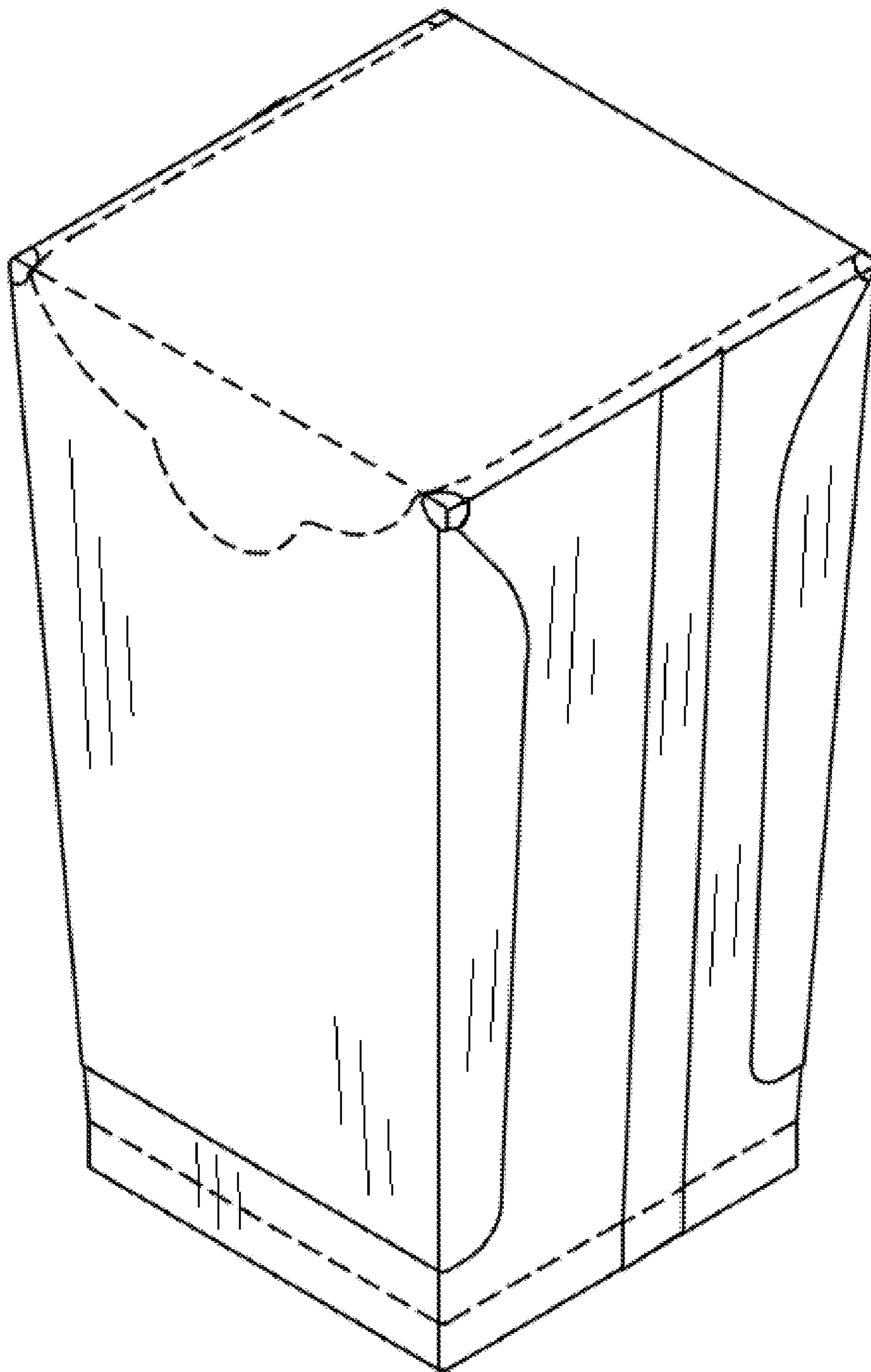


Fig. 9

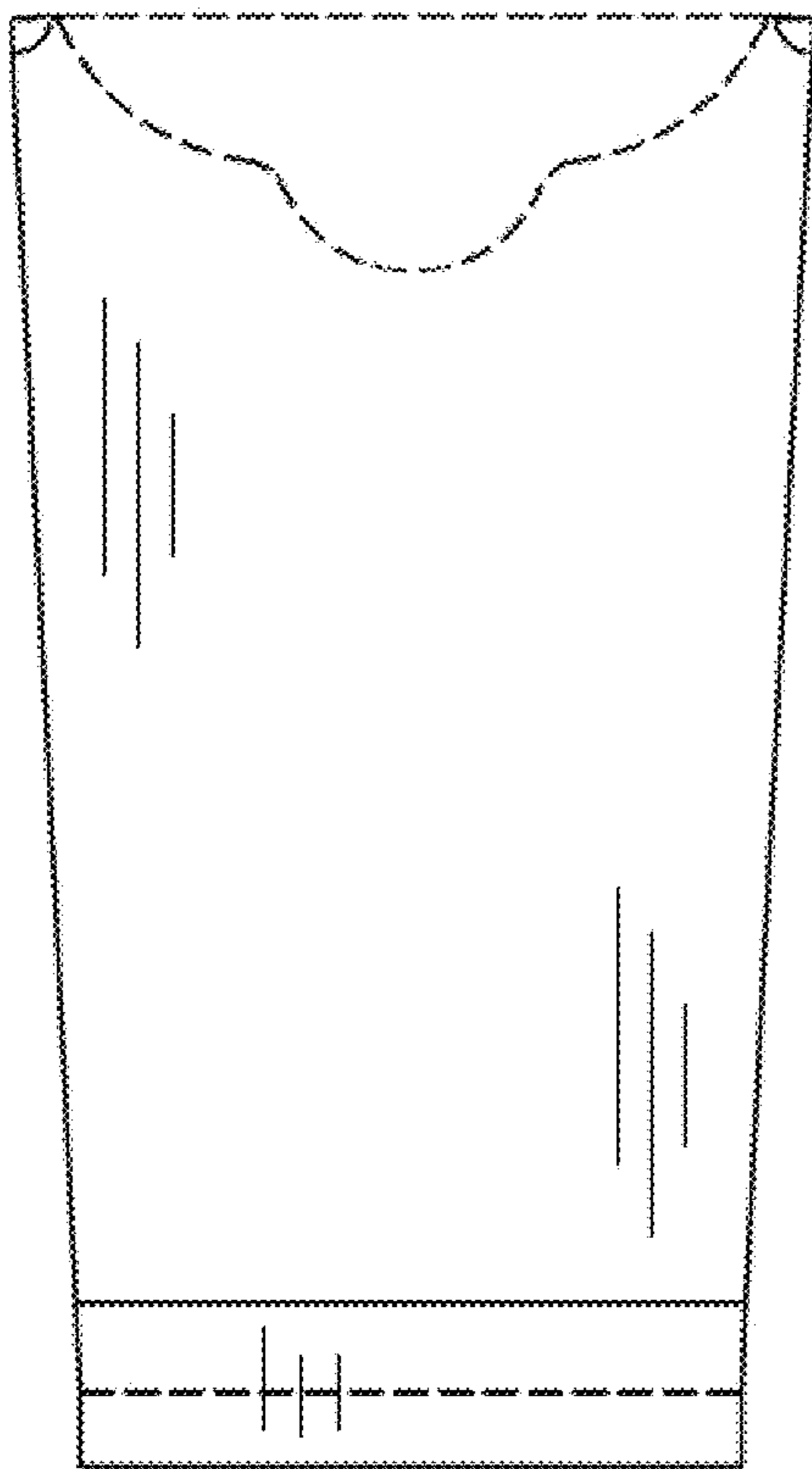


Fig. 10

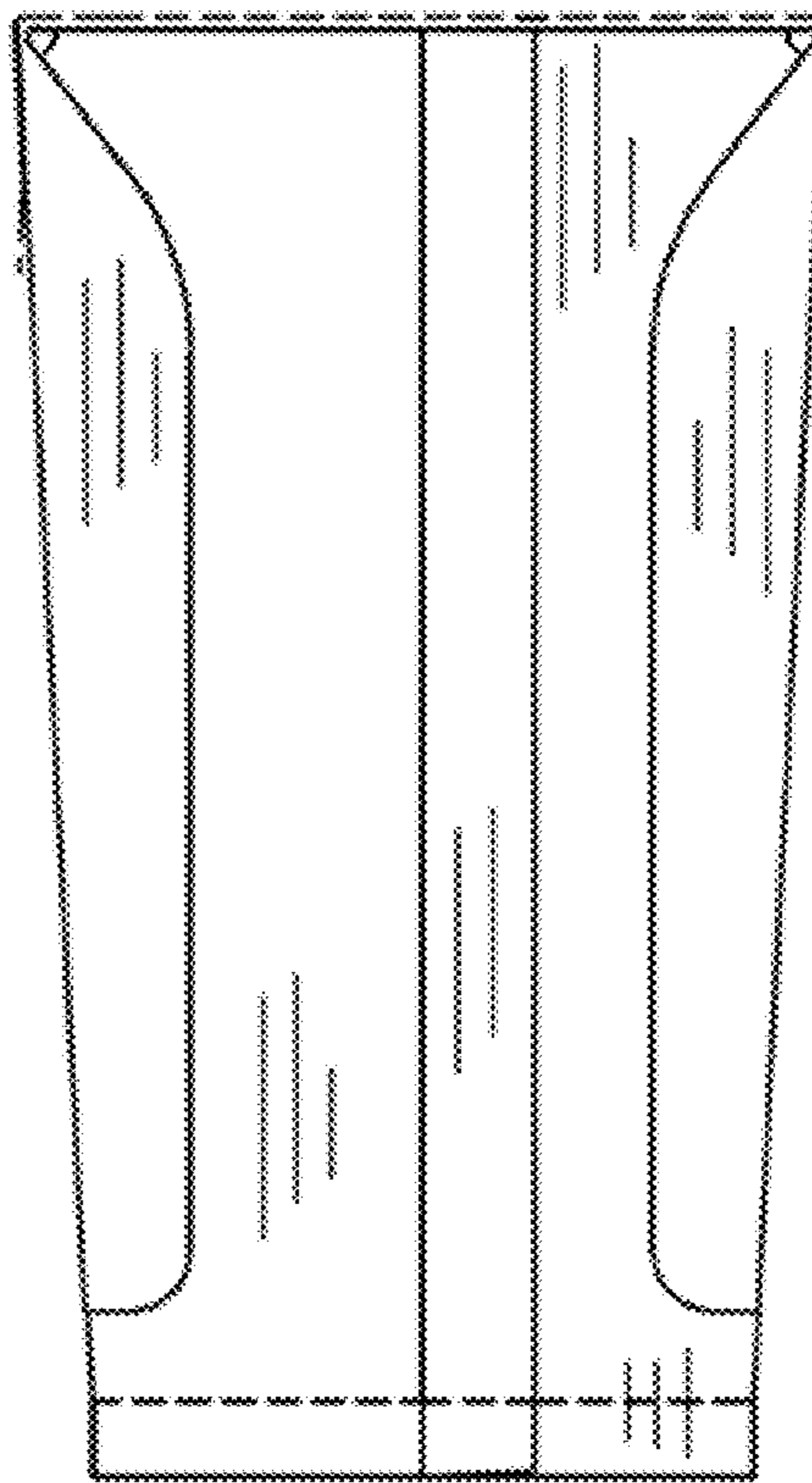


Fig. 11