



US00D855452S

(12) **United States Design Patent** (10) **Patent No.:** **US D855,452 S**
Palacios et al. (45) **Date of Patent:** **** Aug. 6, 2019**

(54) **COMBINED COSMETIC LASH PACKAGING WITH SLIDING TRANSPARENT TRAY**

(71) Applicant: **Benefit Cosmetics LLC**, San Francisco, CA (US)

(72) Inventors: **Erlyn Palacios**, San Leandro, CA (US); **Tamam Jane Ortman**, San Francisco, CA (US)

(73) Assignee: **Benefit Cosmetics LLC**, San Francisco, CA (US)

(**) Term: **15 Years**

(21) Appl. No.: **29/611,783**

(22) Filed: **Jul. 25, 2017**

(51) **LOC (12) Cl.** **09-03**

(52) **U.S. Cl.**
USPC **D9/418**

(58) **Field of Classification Search**
USPC D9/418, 414-417, 722; D28/93, 73
CPC A41G 5/02; B65D 25/54; A45C 11/00
See application file for complete search history.

(56) **References Cited**

U.S. PATENT DOCUMENTS

3,333,593	A *	8/1967	McGivern	A41G 5/02
					132/217
D210,273	S *	2/1968	Rhee	D28/73
3,491,775	A *	1/1970	Aylott	A41G 5/02
					132/216
D227,229	S *	6/1973	Funahashi	D9/415
4,018,336	A *	4/1977	Aylott	A41G 5/02
					132/216
D382,475	S *	8/1997	Cooper	D9/415
D434,654	S *	12/2000	McCool	D9/415
D626,012	S *	10/2010	Nelson	D9/722
D626,013	S *	10/2010	Nelson	D9/722
D643,307	S *	8/2011	Arinsmier	D9/722

8,424,542	B1 *	4/2013	Han	A45C 11/00
					132/212
D755,044	S *	5/2016	Nettenstrom	D9/418
9,504,285	B2 *	11/2016	Lin	B65D 73/00
D829,381	S *	9/2018	Kim	D28/93
D833,270	S *	11/2018	Fath	D9/418

(Continued)

Primary Examiner — Rhea Shields

(74) *Attorney, Agent, or Firm* — Kilpatrick Townsend & Stockton LLP

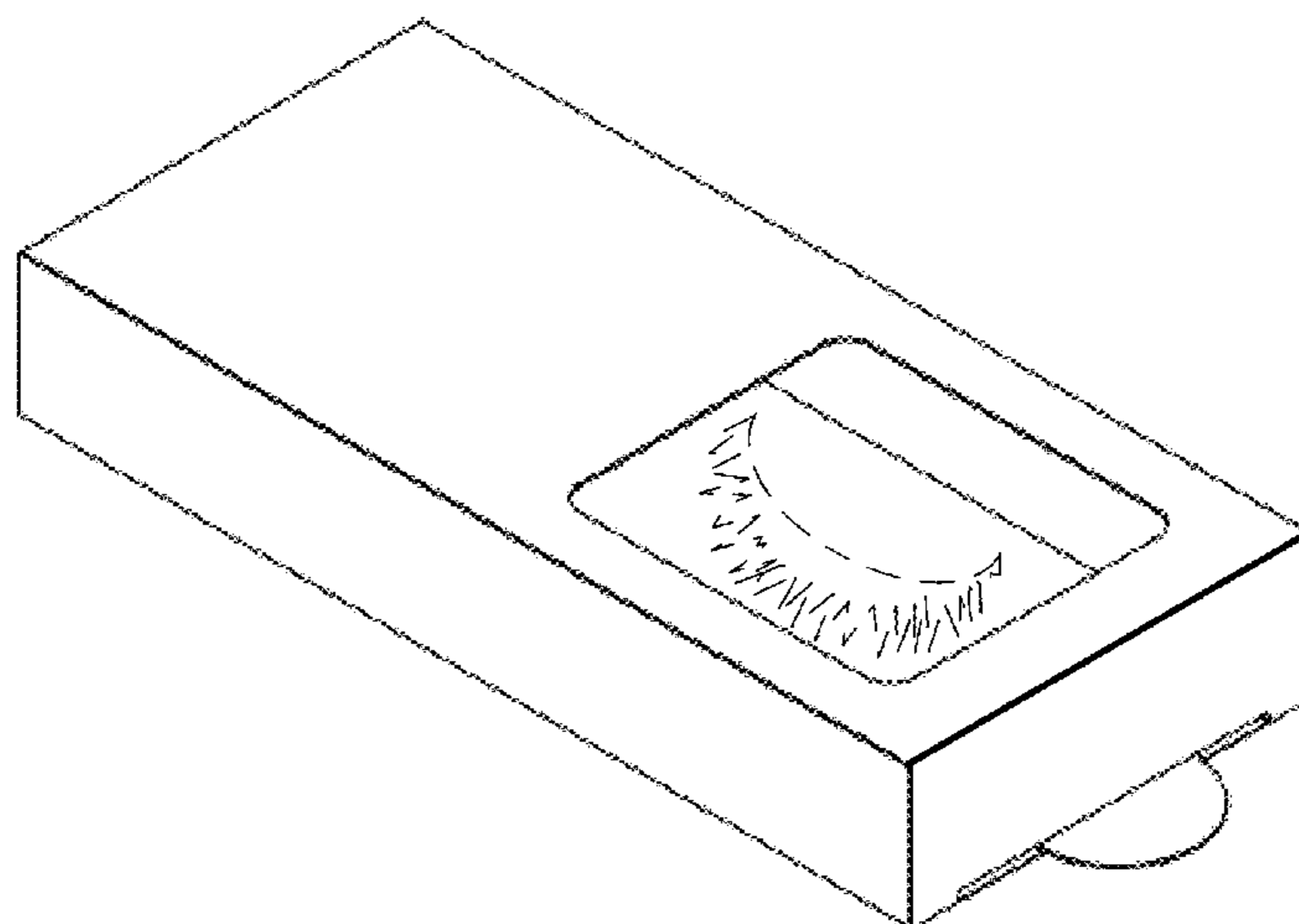
(57) **CLAIM**

The ornamental design for the combination cosmetic lash packaging with sliding transparent tray, as shown and described.

DESCRIPTION

FIG. 1 is a top front left perspective view of a combination cosmetic lash packaging with sliding transparent tray in a closed configuration, showing our new design; FIG. 2 is a bottom front right perspective view thereof; FIG. 3 is a back view thereof; FIG. 4 is a front view thereof; FIG. 5 is a left side view thereof; FIG. 6 is a right side view thereof; FIG. 7 is a top view thereof; FIG. 8 is a bottom view thereof; FIG. 9 is a top front left perspective view of the combination cosmetic lash packaging with sliding transparent tray, in an open configuration; FIG. 10 is a bottom front right perspective view thereof; FIG. 11 is a top view thereof; FIG. 12 is a left side view thereof; FIG. 13 is a right side view thereof; and, FIG. 14 is a front view thereof shown in an environment. In the drawings, the broken lines are for the purpose of illustrating environment only and form no part of the claimed design.

1 Claim, 5 Drawing Sheets



(56)

References Cited

U.S. PATENT DOCUMENTS

2013/0160787 A1* 6/2013 Chae A41G 5/02
132/201
2014/0110304 A1* 4/2014 Wu B65D 25/54
206/776

* cited by examiner

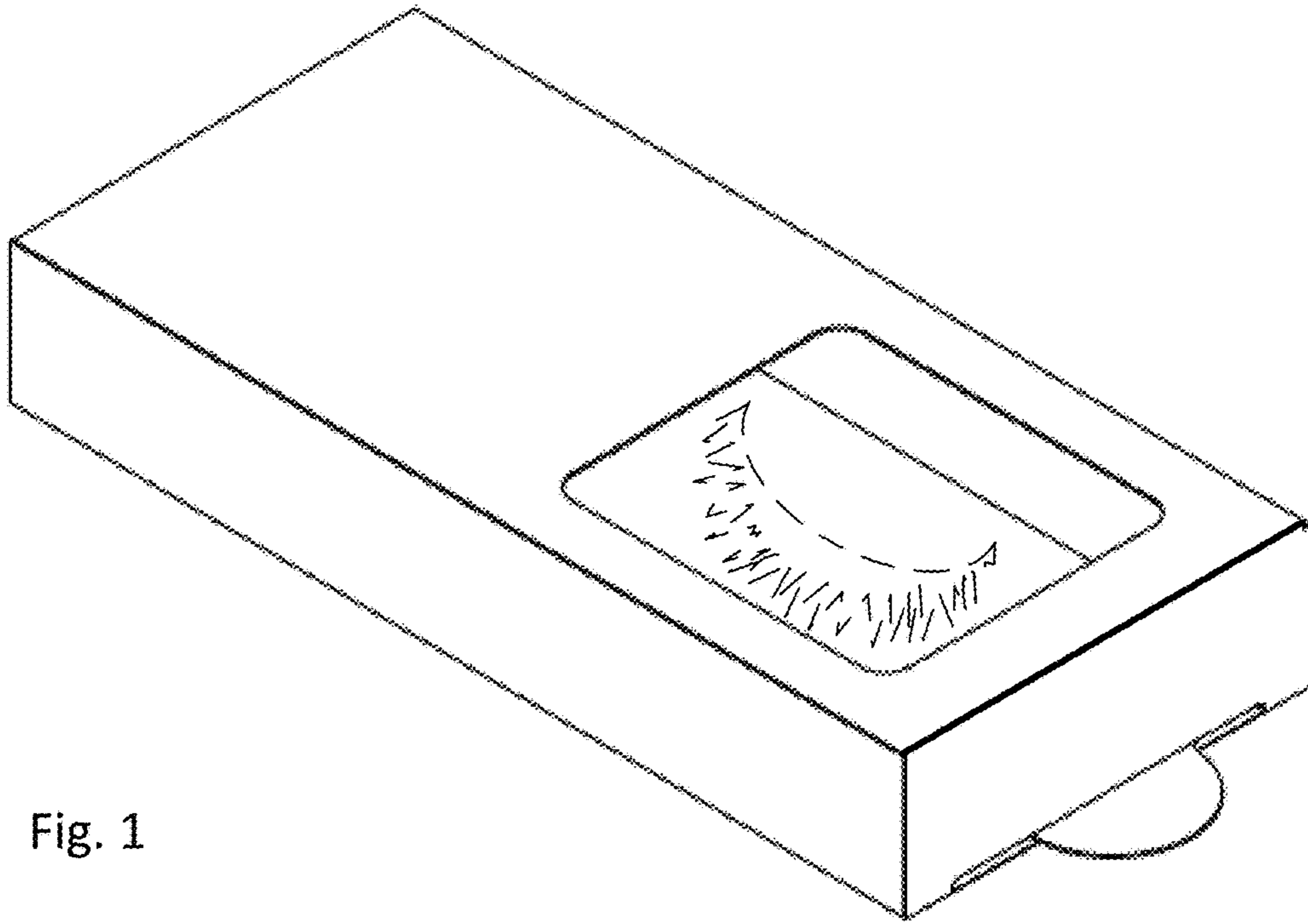


Fig. 1

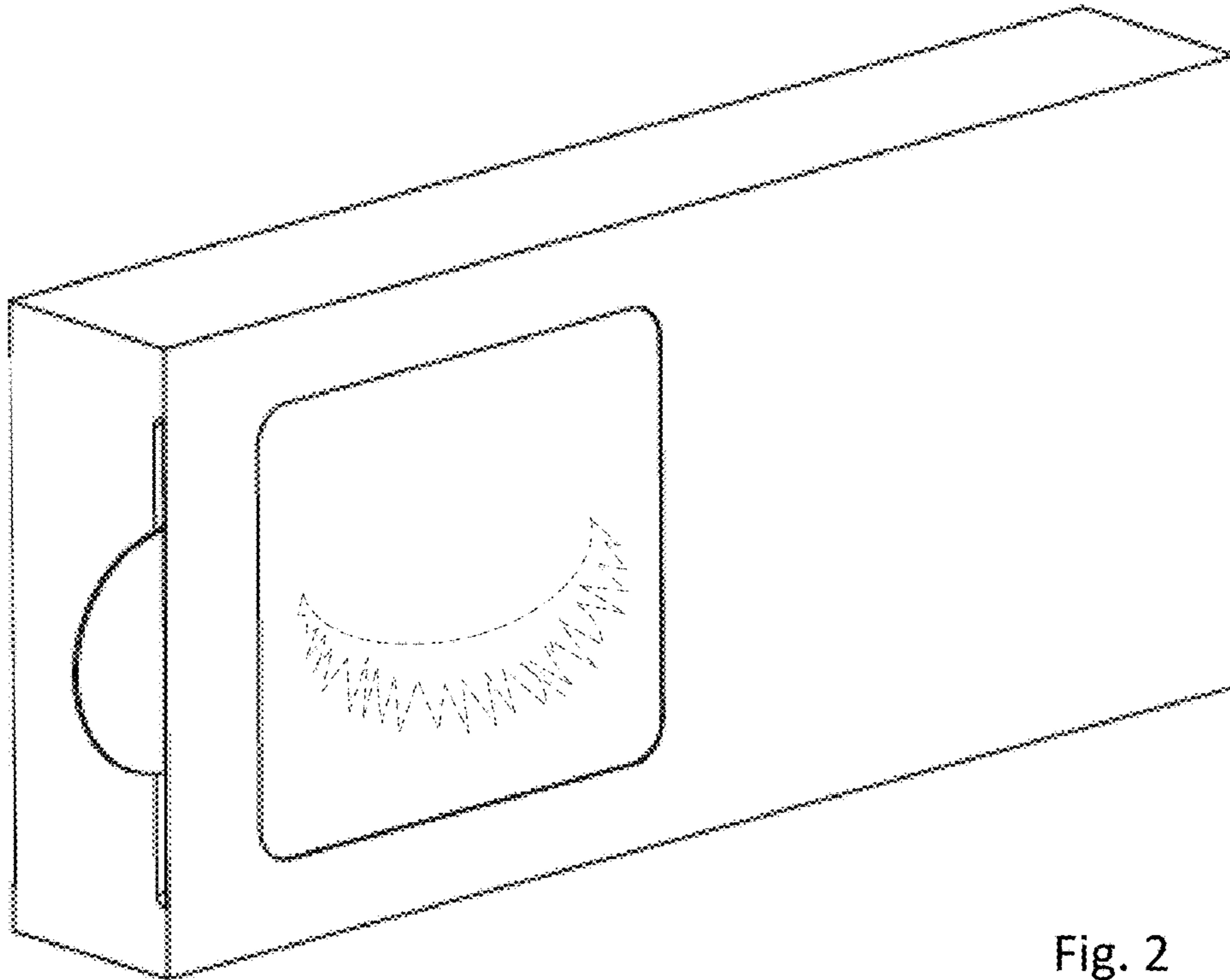


Fig. 2



Fig. 3

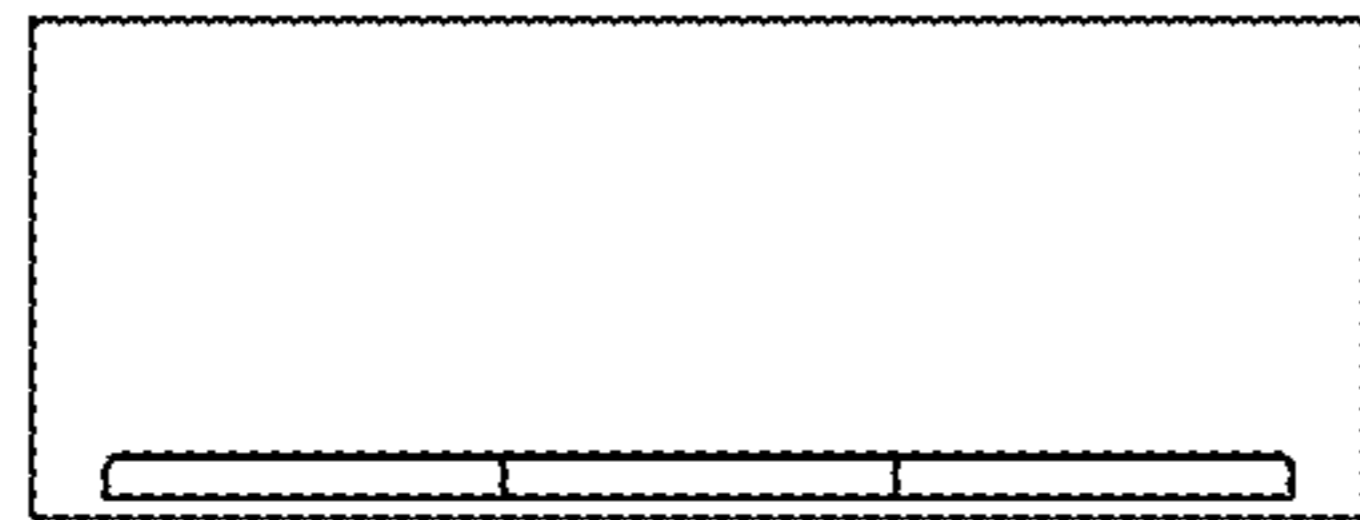


Fig. 4

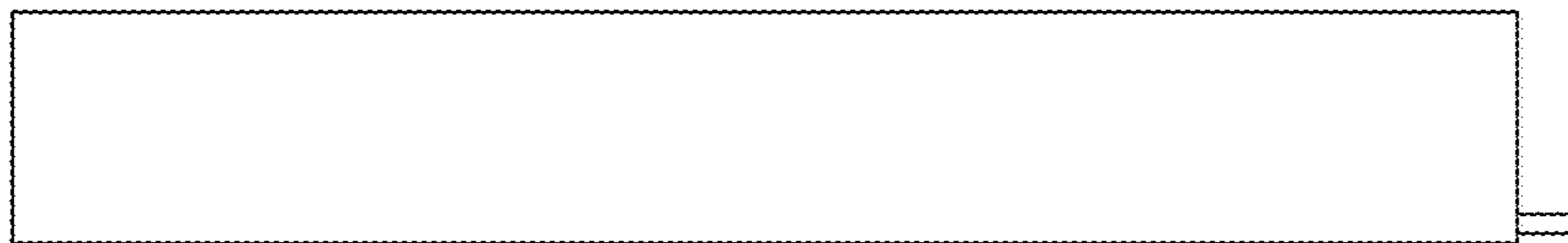


Fig. 5



Fig. 6

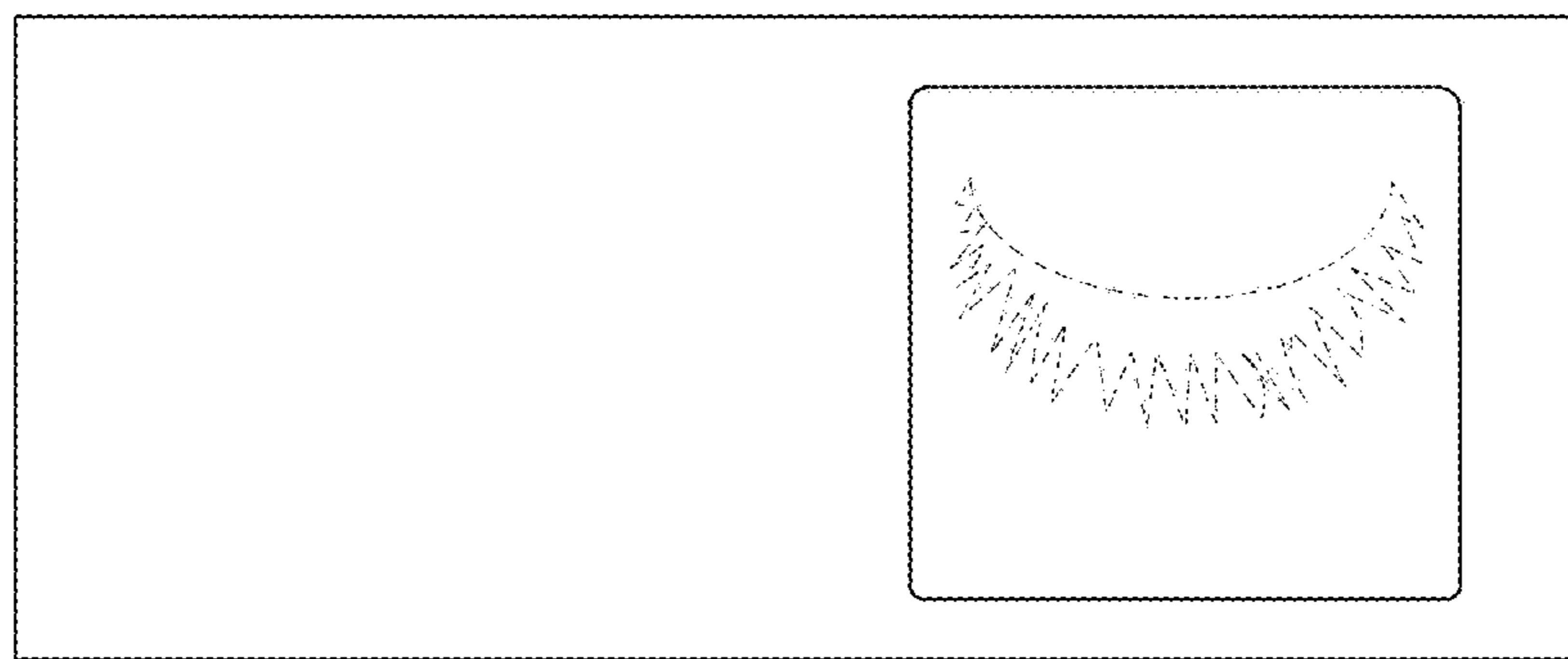


Fig. 7

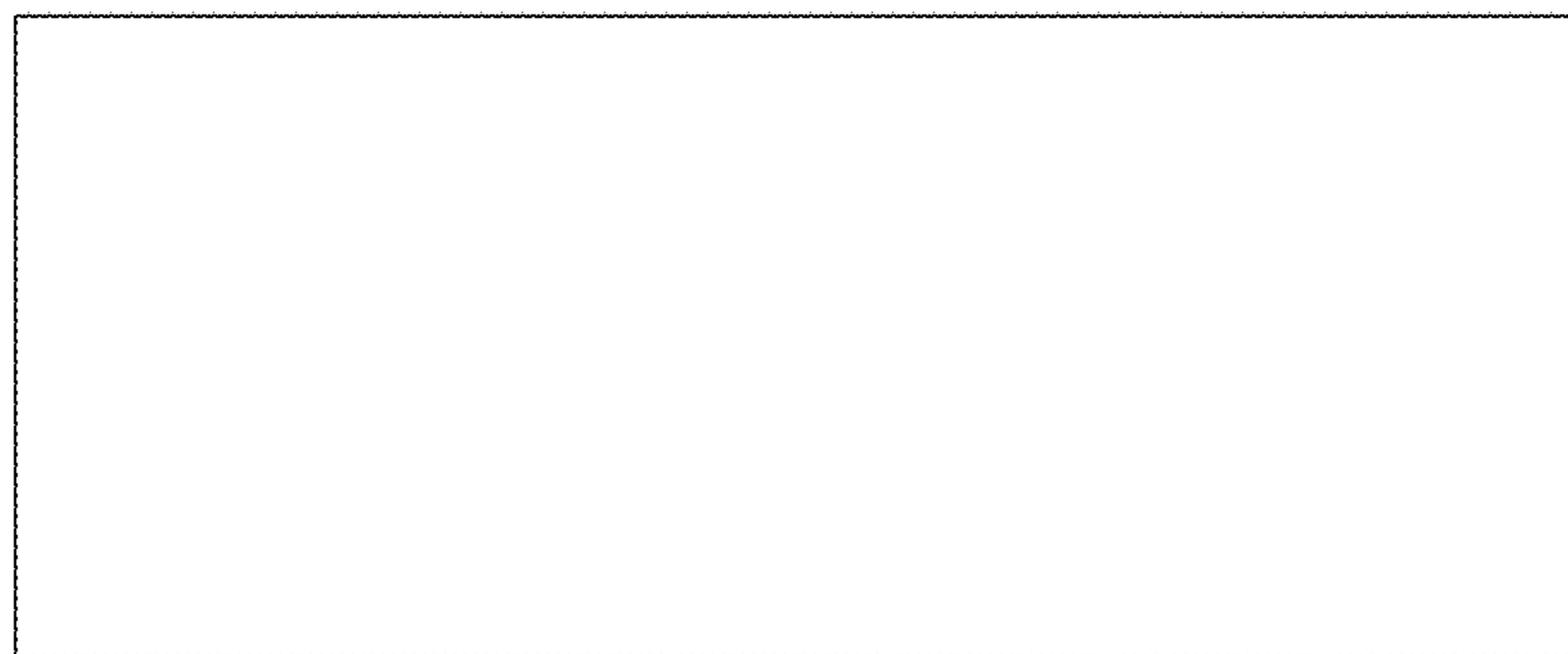


Fig. 8

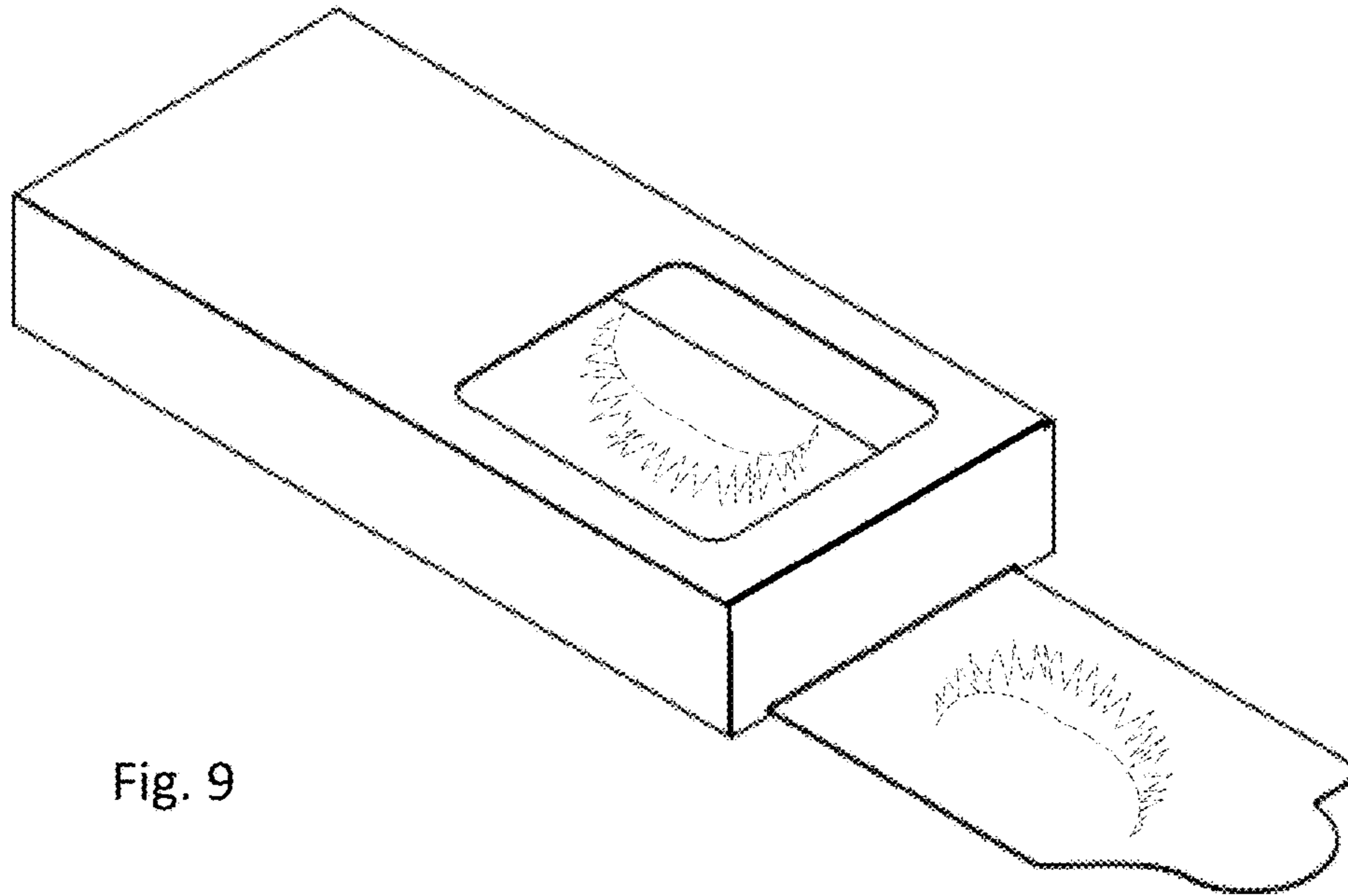


Fig. 9

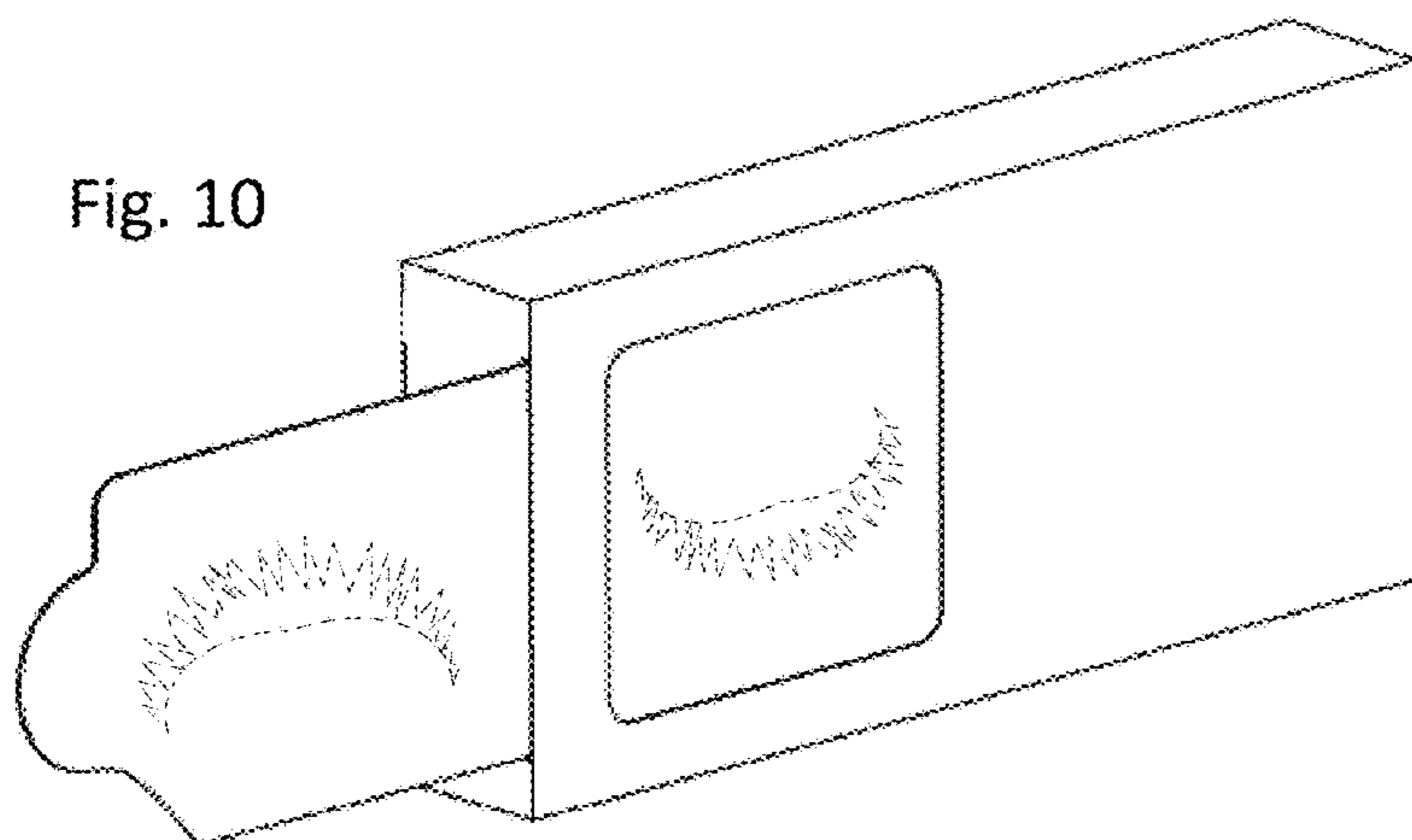


Fig. 10

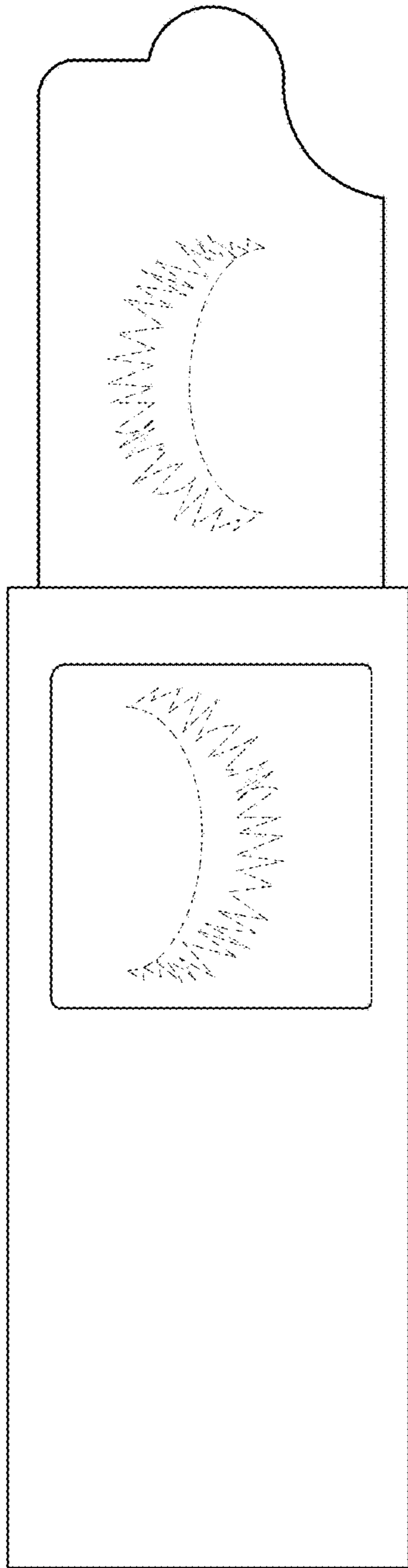


Fig. 11

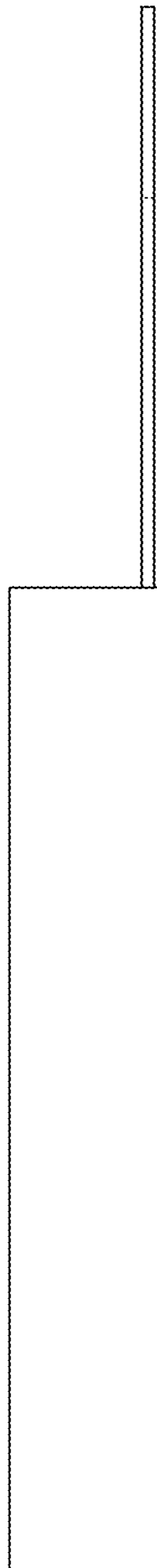


Fig. 12

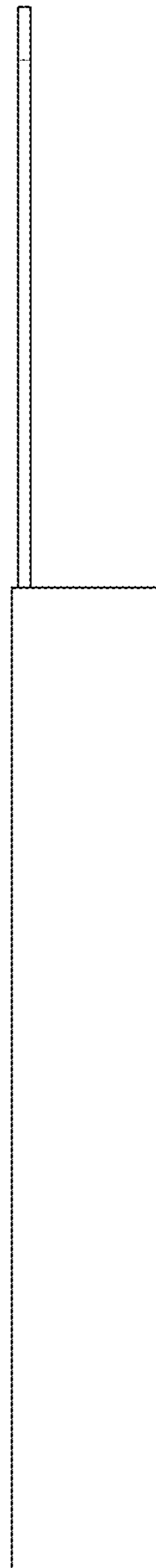


Fig. 13

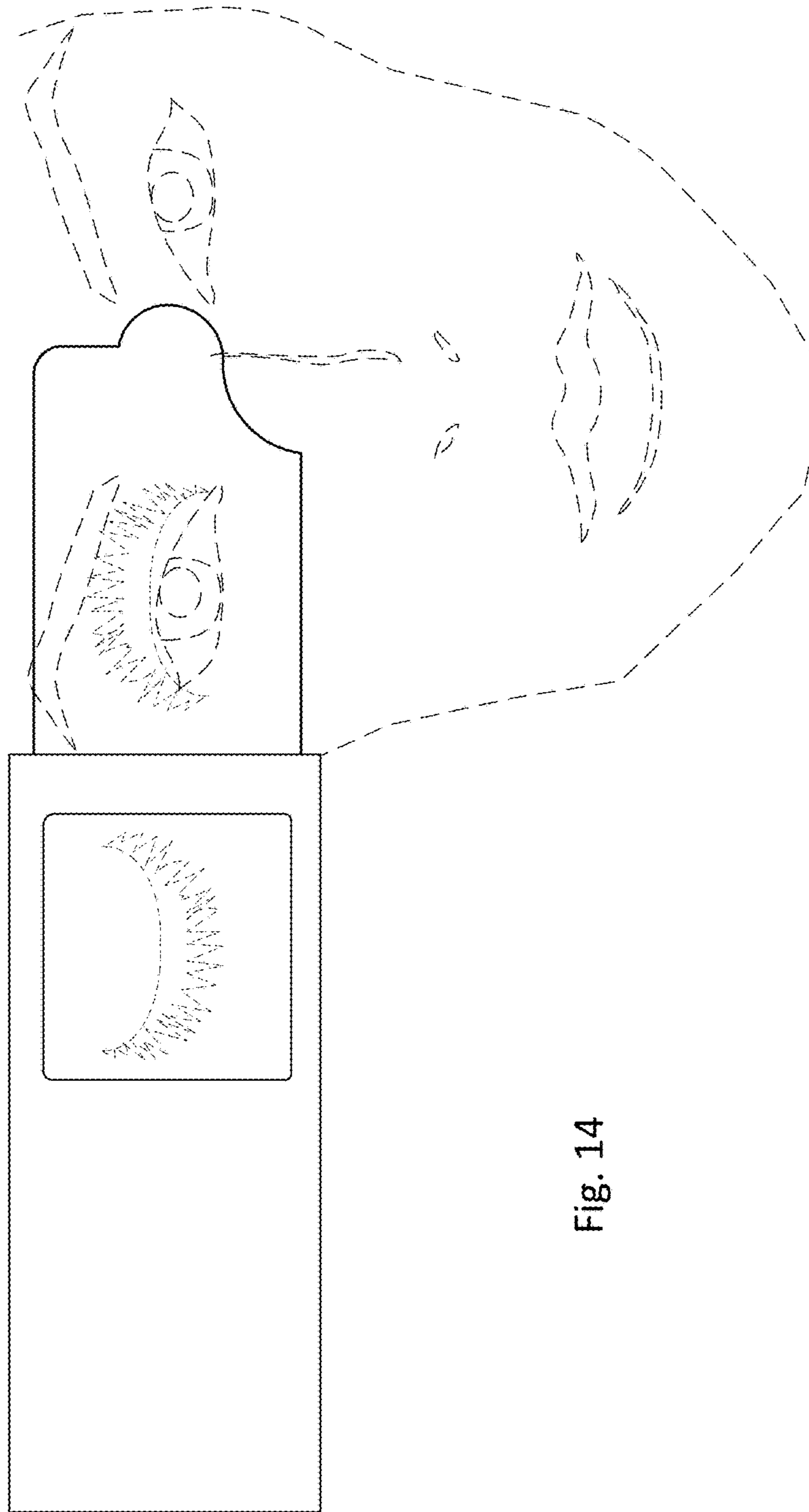


Fig. 14