



US00D855451S

(12) **United States Design Patent**  
**Kim et al.**

(10) **Patent No.:** **US D855,451 S**

(45) **Date of Patent:** **\*\* Aug. 6, 2019**

(54) **BOX FOR PACKAGING**

(71) Applicant: **Samsung Bioepis Co., Ltd.**, Incheon (KR)

(72) Inventors: **Na Young Kim**, Anyang-si (KR);  
**Hyung Kyoon Oh**, Incheon (KR);  
**Kyung Bok Lee**, Gwacheon-si (KR)

(73) Assignee: **Samsung Bioepis Co., Ltd.**, Incheon (KR)

(\*\*) Term: **15 Years**

(21) Appl. No.: **29/643,882**

(22) Filed: **Apr. 12, 2018**

(30) **Foreign Application Priority Data**

Mar. 5, 2018 (KR) ..... 30-2018-0010726

(51) **LOC (12) Cl.** ..... **09-03**

(52) **U.S. Cl.**  
USPC ..... **D9/416**

(58) **Field of Classification Search**

USPC ..... D9/414, 415, 416, 418, 420, 423, 425,  
D9/432, 433, 438, 751, 759; D7/590,  
D7/601, 609, 610, 612; D27/186;  
206/543, 549, 66  
CPC . B65D 1/00; B65D 1/22; B65D 1/225; B65D  
5/00; B65D 5/16; B65D 5/66; B65D  
5/665; B65D 5/4204; B65D 5/6605;  
B65D 2571/00543; B65D 2571/00549;  
B65D 2571/0066; B65D 43/162; B65D  
81/02; B65D 81/3813; B65D 81/3848;  
A47F 7/03; A47F 7/145

See application file for complete search history.

(56) **References Cited**

U.S. PATENT DOCUMENTS

D249,870 S \* 10/1978 Tillander ..... D27/188  
6,199,687 B1 \* 3/2001 Tambo ..... B65D 85/1036  
206/268

D516,422 S \* 3/2006 Willson ..... D9/432  
7,845,491 B2 \* 12/2010 Polloni ..... B65D 5/422  
206/268  
7,870,953 B2 \* 1/2011 Tanbo ..... B65D 85/1081  
206/232  
D653,535 S \* 2/2012 Tearle ..... D27/189  
D662,411 S \* 6/2012 Tearle ..... D27/189  
D679,178 S \* 4/2013 Villiers ..... D9/420  
D698,642 S \* 2/2014 Tawada ..... D9/423

(Continued)

*Primary Examiner* — Wan Laymon

*Assistant Examiner* — Clint A Samuel

(74) *Attorney, Agent, or Firm* — Novick, Kim & Lee,  
PLLC; Sang Ho Lee

(57) **CLAIM**

We claim the ornamental design for a box for packaging, as shown and described.

**DESCRIPTION**

FIG. 1 is a perspective view of a box for packaging, showing our new design;

FIG. 2 is a front elevational view thereof;

FIG. 3 is a rear elevational view thereof;

FIG. 4 is a left side elevational view thereof;

FIG. 5 is a right side elevational view thereof;

FIG. 6 is a top plan view thereof; and

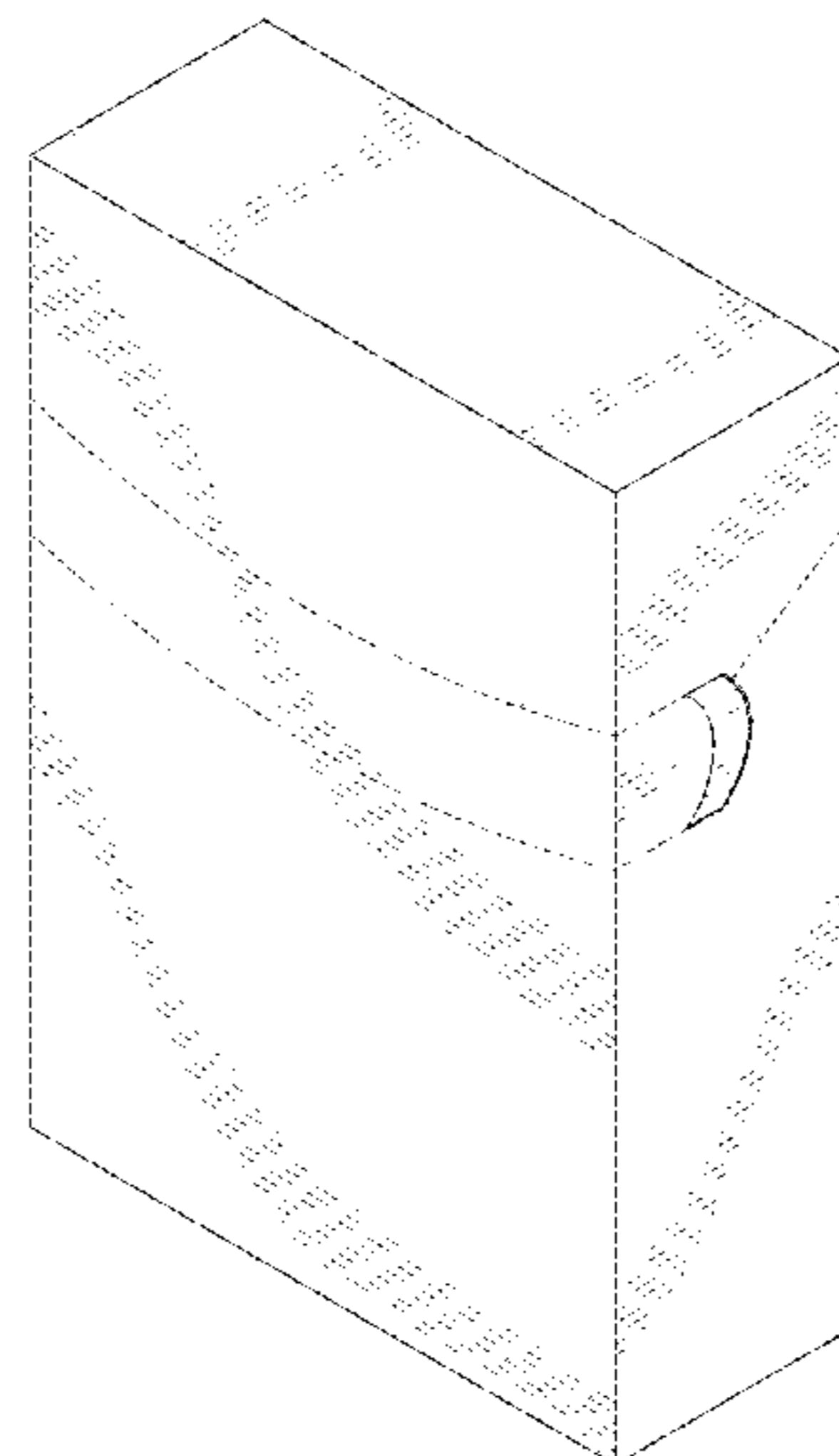
FIG. 7 is a bottom plan view thereof.

FIG. 8 is a perspective view showing the box for packaging in a configuration wherein a portion of the box for packaging is removed; and,

FIG. 9 is a perspective view showing the box for packaging in another configuration wherein a top portion of the box for packaging is in an open state.

The dash-dash broken lines shown in the drawings depict lines along which a portion of the box for packaging may be torn. The dot-dash broken line shown in FIG. 3 depicts a fold line.

**1 Claim, 7 Drawing Sheets**



(56)

**References Cited**

U.S. PATENT DOCUMENTS

D762,466 S \* 8/2016 Angeloni ..... D9/420  
D801,803 S \* 11/2017 Mitten ..... D9/416  
9,856,074 B2 \* 1/2018 Petty ..... B65D 85/36  
D821,866 S \* 7/2018 Scotti ..... D9/420  
D829,092 S \* 9/2018 Bandiera ..... D9/416  
D834,409 S \* 11/2018 Banacki ..... D9/420  
2012/0012479 A1 \* 1/2012 Hodges ..... A24C 5/608  
206/265  
2016/0016723 A1 \* 1/2016 Hodges ..... B65D 85/1045  
206/259  
2018/0037348 A1 \* 2/2018 Polloni ..... B65D 81/203

\* cited by examiner

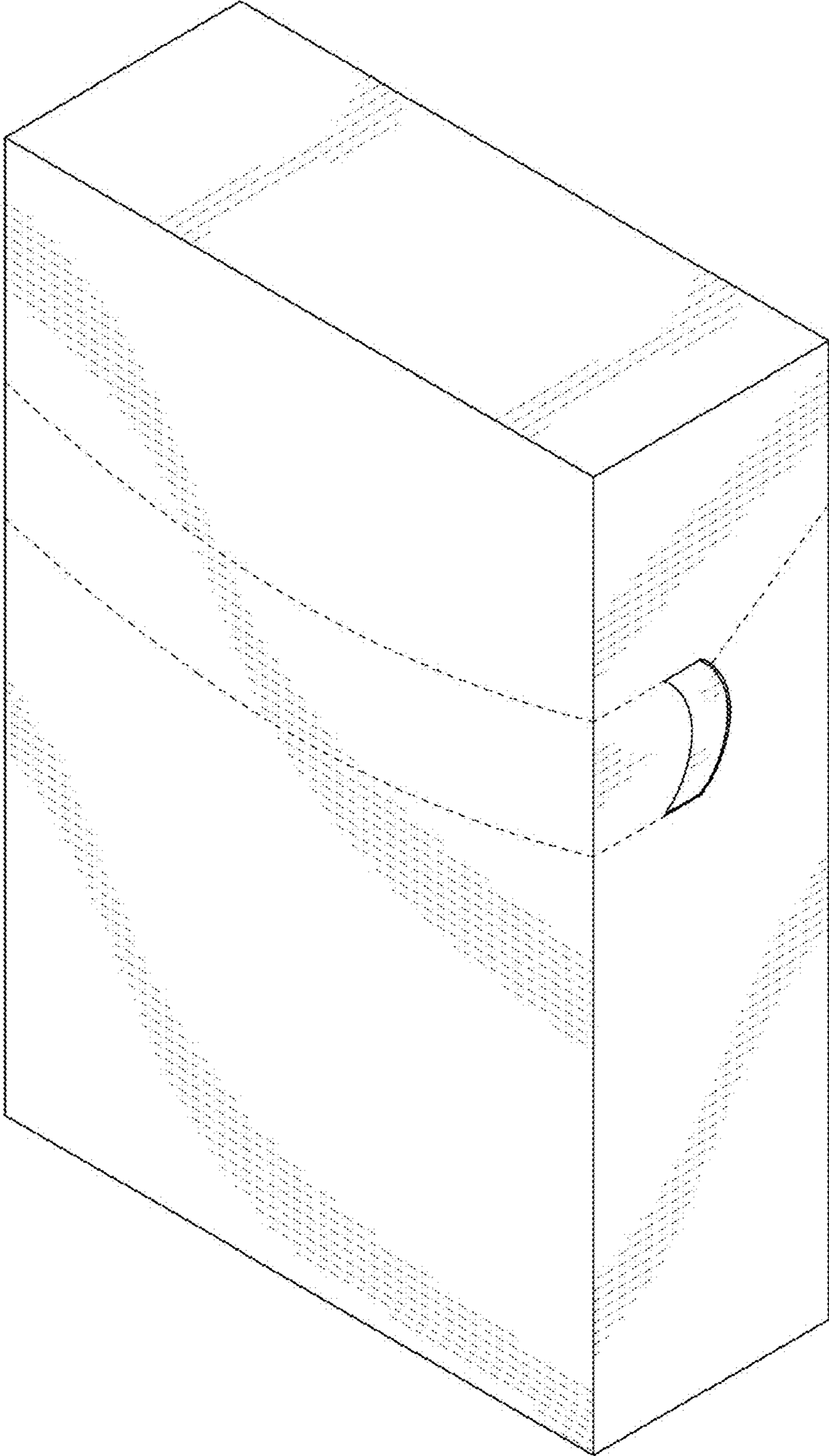


FIG. 1

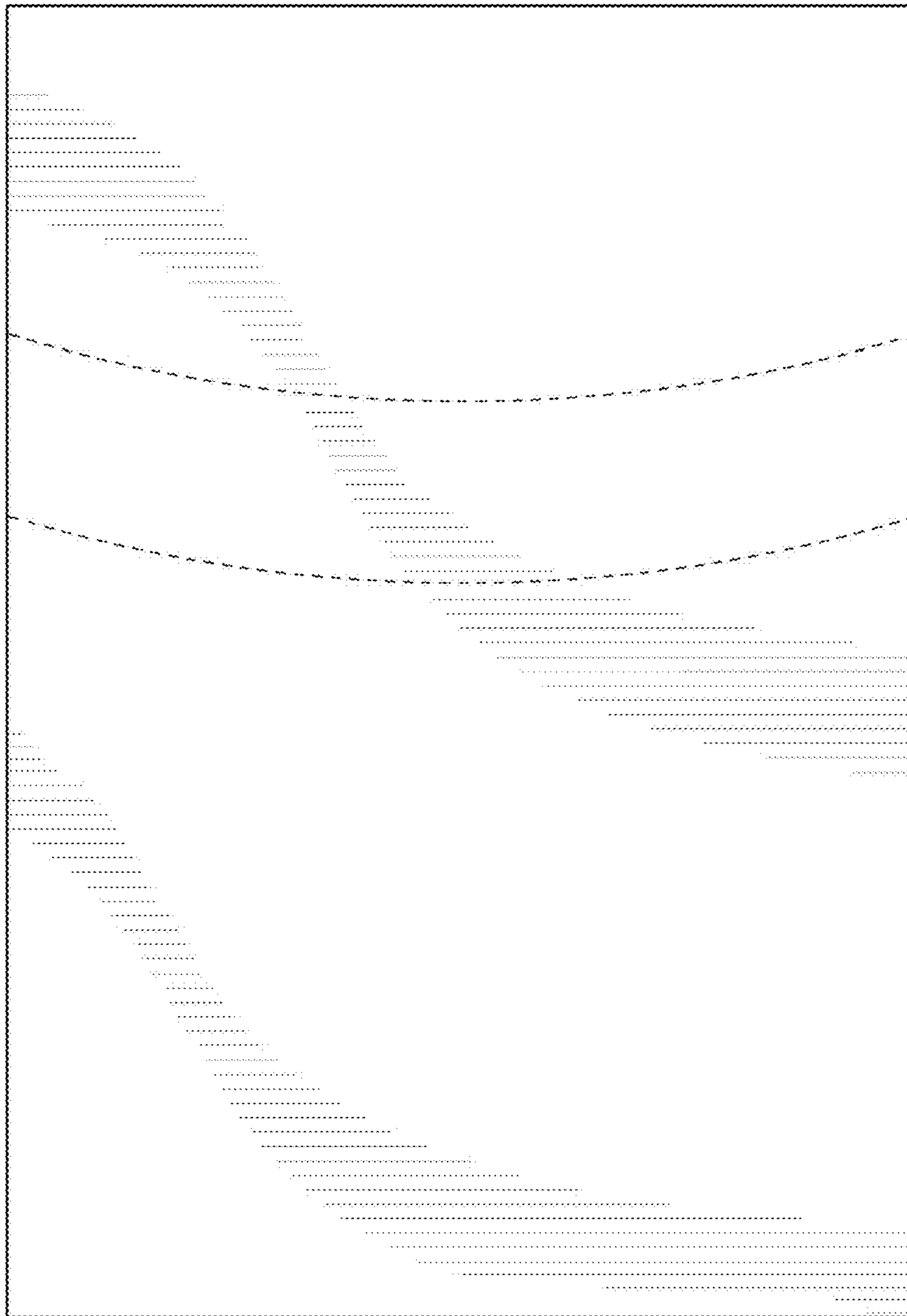


FIG. 2

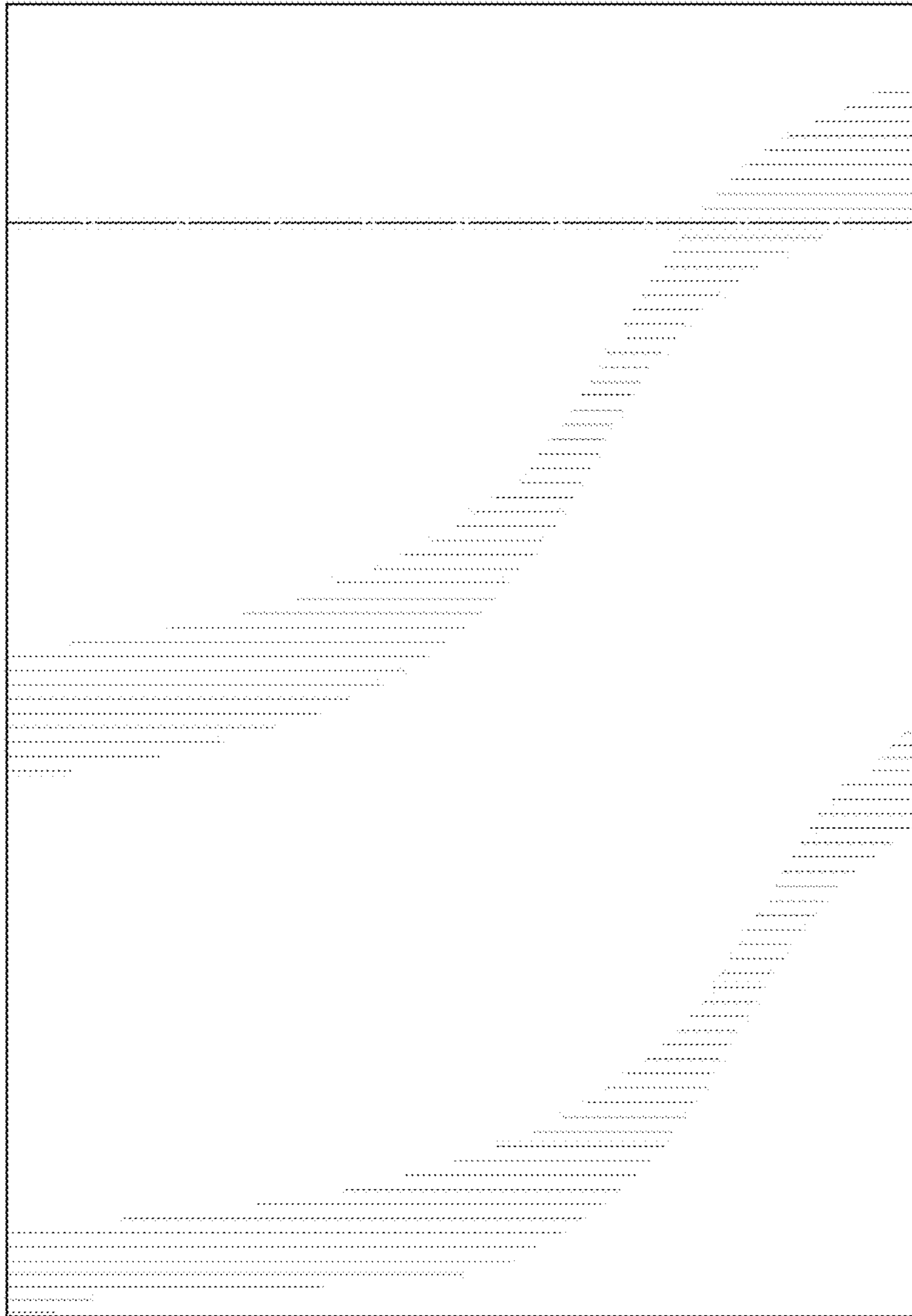


FIG. 3

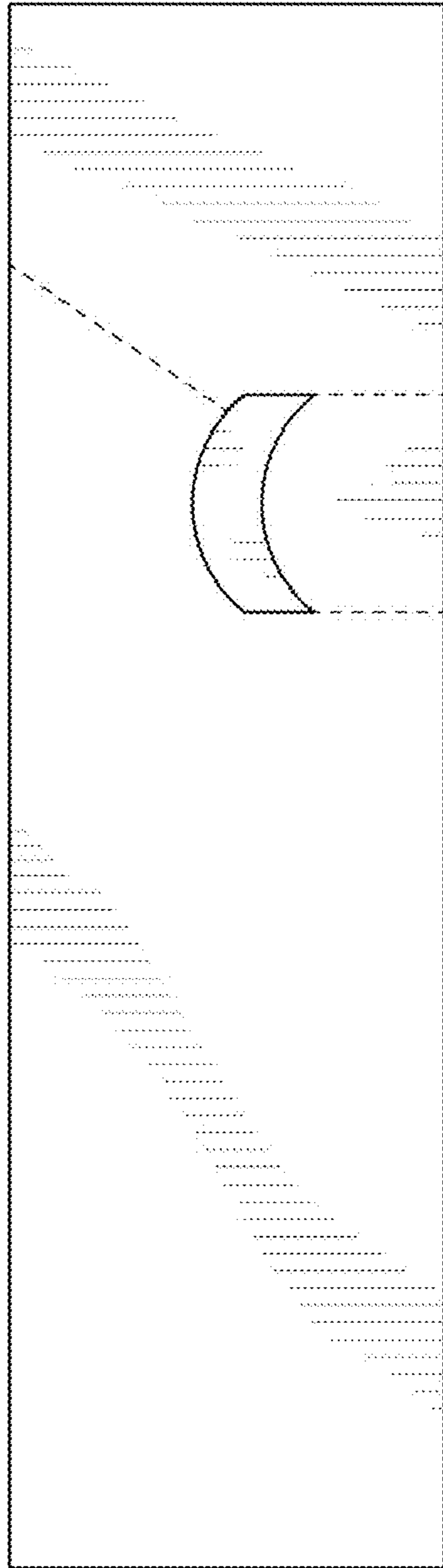


FIG. 4

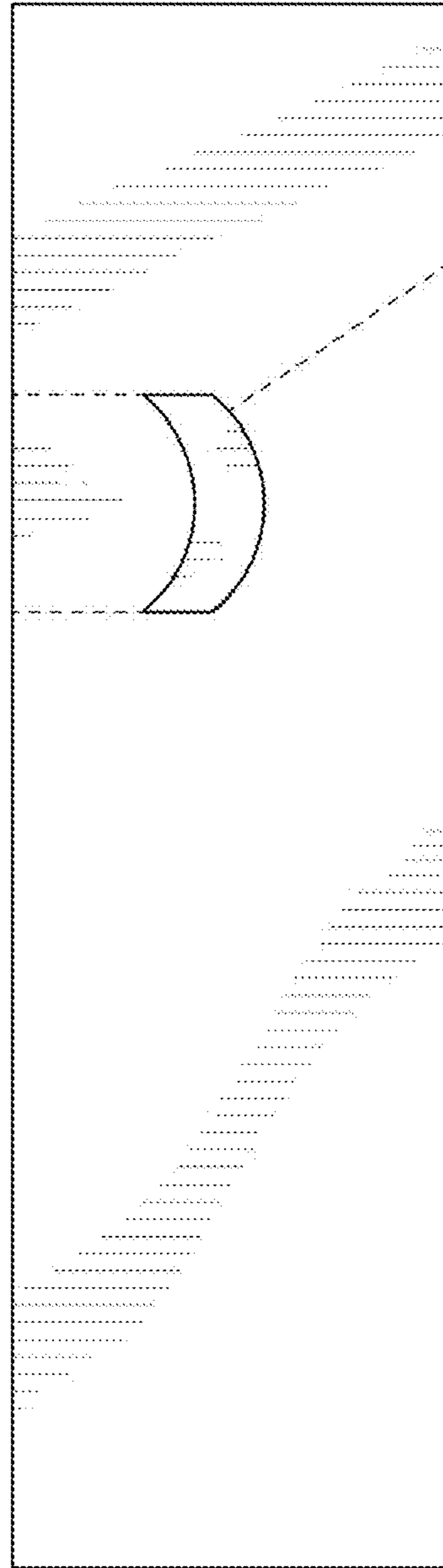
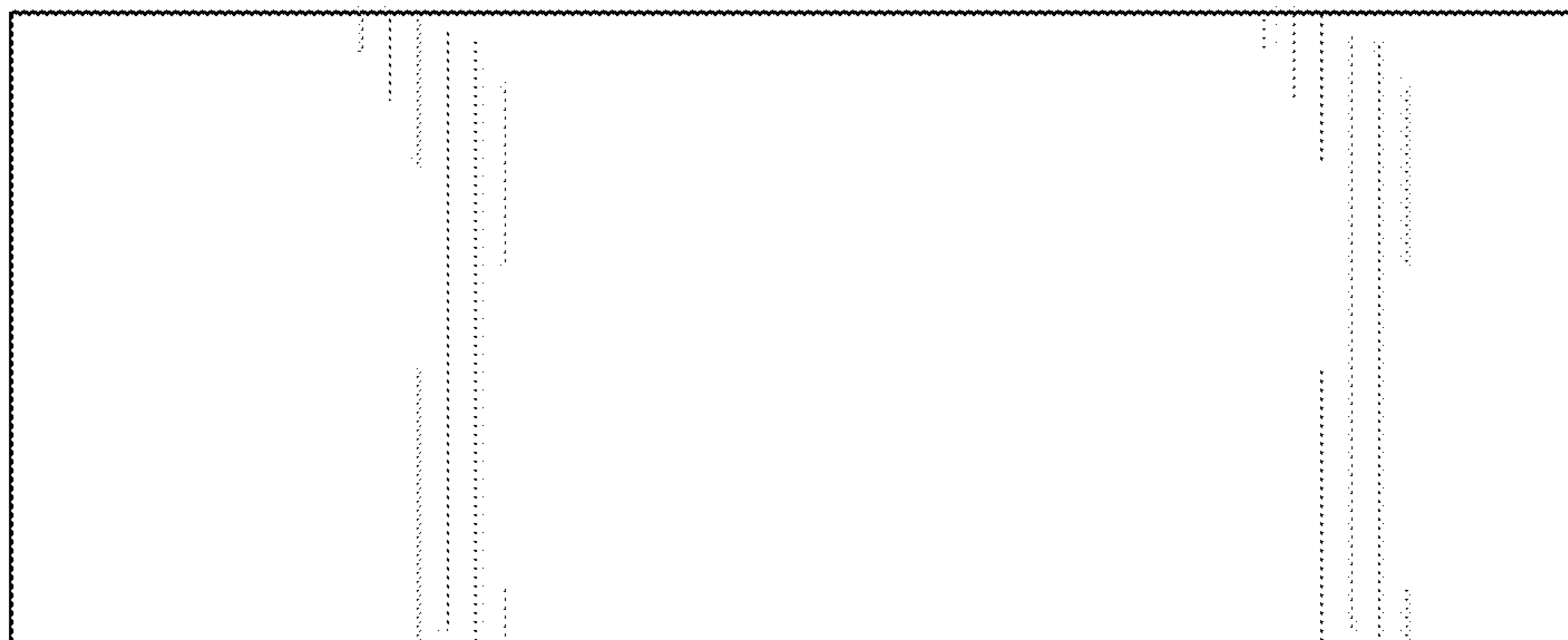
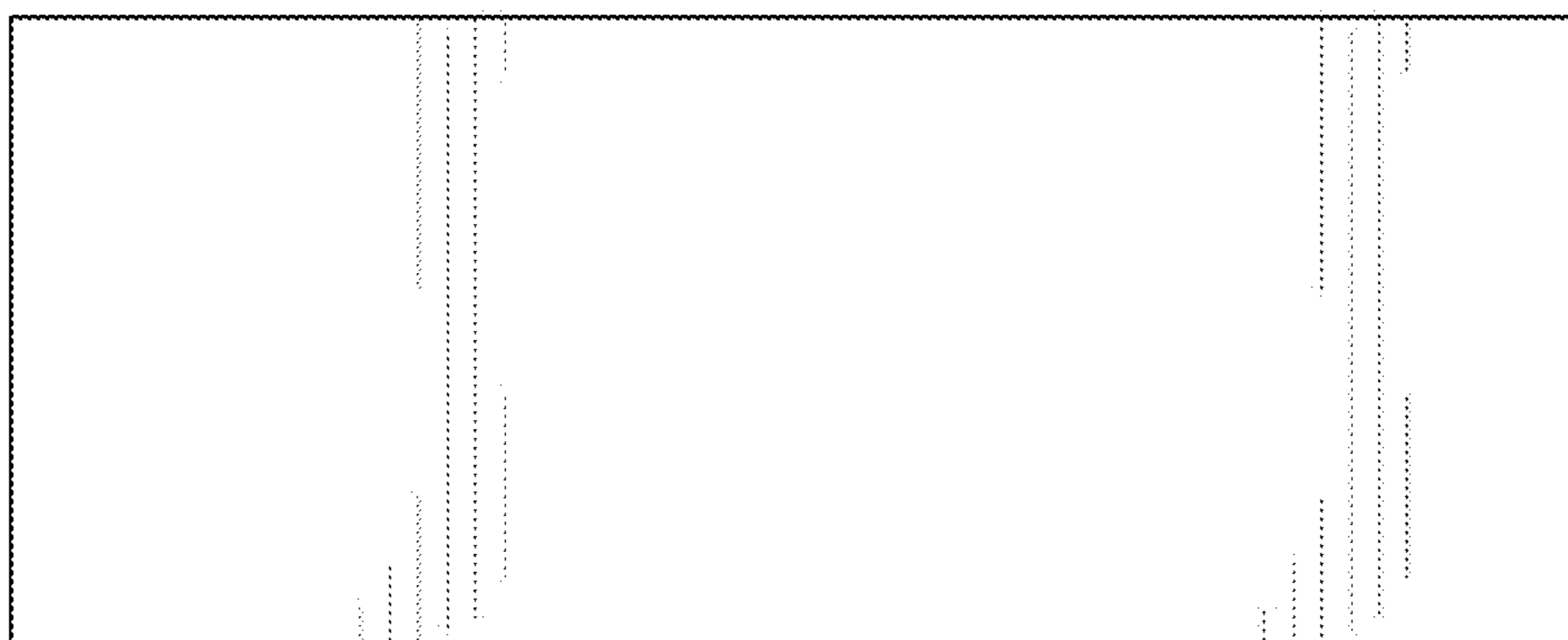


FIG. 5



**FIG. 6**



**FIG. 7**

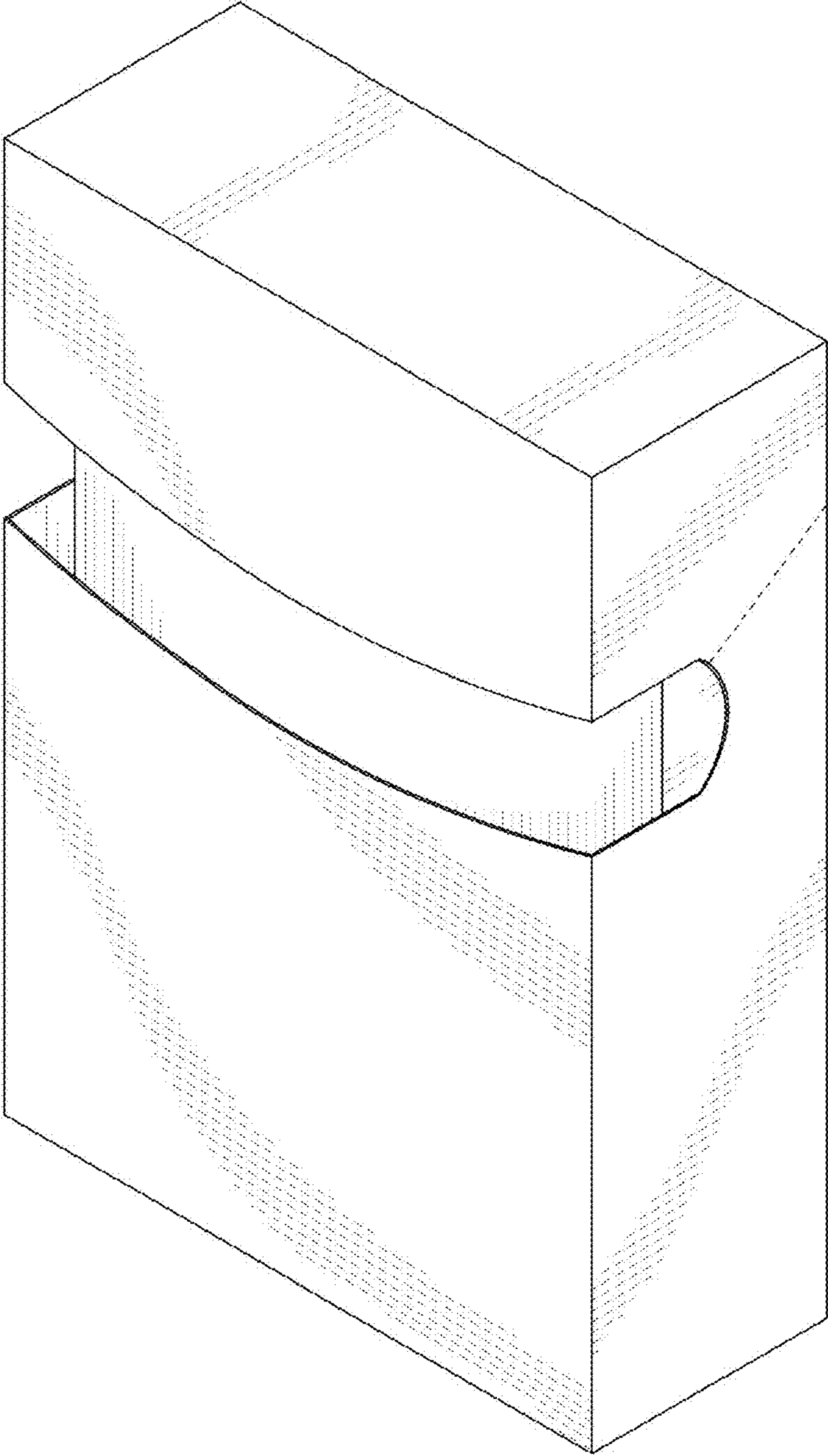


FIG. 8



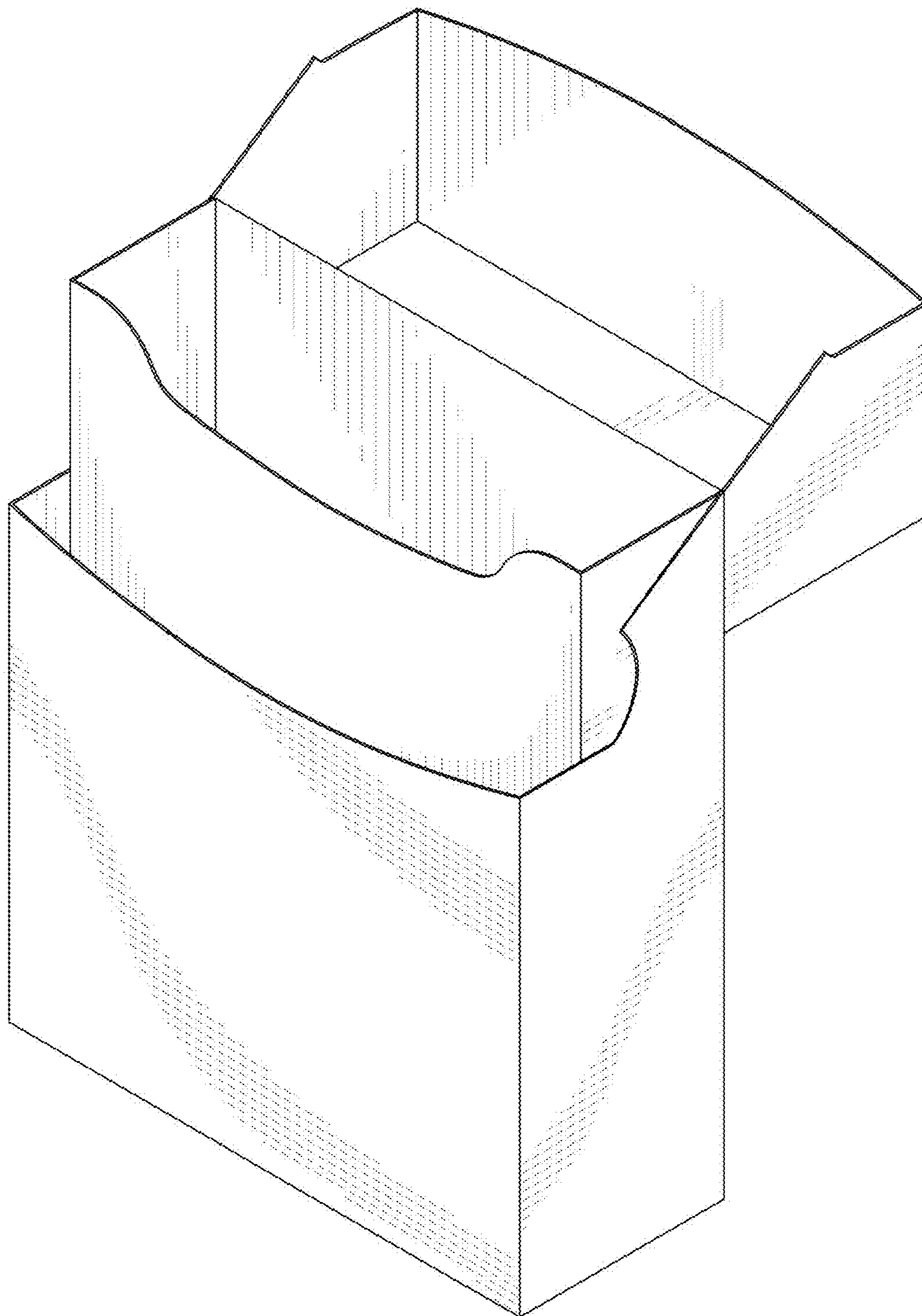


FIG. 9