



US00D855450S

(12) **United States Design Patent** (10) **Patent No.:** **US D855,450 S**
Klein et al. (45) **Date of Patent:** **** Aug. 6, 2019**

(54) **PACKAGE FOR TOOTHBRUSH**

(71) Applicant: **The Procter & Gamble Company**,
Cincinnati, OH (US)
(72) Inventors: **Heinrich Michael Klein**, Kronberg
(DE); **Martin Jay Marotti**, Carmel, IN
(US)
(73) Assignee: **THE PROCTER & GAMBLE
COMPANY**, Cincinnati, OH (US)
(**) Term: **15 Years**

(21) Appl. No.: **29/587,495**
(22) Filed: **Dec. 13, 2016**
(51) **LOC (12) Cl.** **09-03**
(52) **U.S. Cl.**
USPC **D9/415**
(58) **Field of Classification Search**
USPC D9/414, 415, 420, 422, 424, 425, 428,
D9/429, 433, 434, 456

(Continued)

(56) **References Cited**

U.S. PATENT DOCUMENTS

D250,092 S * 10/1978 Schoenfeld D9/414
D378,570 S * 3/1997 MacEachern D9/415
(Continued)

Primary Examiner — Lauren R Calve
(74) *Attorney, Agent, or Firm* — Vladimir Vitenberg

(57) **CLAIM**

The ornamental design for a package for toothbrush, as shown and described.

DESCRIPTION

FIG. 1 is a perspective view of a first embodiment of a package for toothbrush;
FIG. 2 is a front view thereof;

FIG. 3 is a rear side view thereof;
FIG. 4 is a right view thereof;
FIG. 5 is a left side view thereof;
FIG. 6 is a top plan view thereof; and
FIG. 7 is a bottom view thereof.
FIG. 8 is a perspective view of a second embodiment of a package for toothbrush;
FIG. 9 is a front view thereof;
FIG. 10 is a rear side view thereof;
FIG. 11 is a right view thereof;
FIG. 12 is a left side view thereof;
FIG. 13 is a top plan view thereof; and
FIG. 14 is a bottom view thereof.
FIG. 15 is a perspective view of a third embodiment of a package for toothbrush;
FIG. 16 is a front view thereof;
FIG. 17 is a rear side view thereof;
FIG. 18 is a right view thereof;
FIG. 19 is a left side view thereof;
FIG. 20 is a top plan view thereof; and
FIG. 21 is a bottom view thereof.
FIG. 22 is a perspective view of a fourth embodiment of a package for toothbrush;
FIG. 23 is a front view thereof;
FIG. 24 is a rear side view thereof;
FIG. 25 is a right view thereof;
FIG. 26 is a left side view thereof;
FIG. 27 is a top plan view thereof; and
FIG. 28 is a bottom view thereof.
FIG. 29 is a perspective view of a fifth embodiment of a package for toothbrush;
FIG. 30 is a front view thereof;
FIG. 31 is a rear side view thereof;
FIG. 32 is a right view thereof;
FIG. 33 is a left side view thereof;
FIG. 34 is a top plan view thereof; and
FIG. 35 is a bottom view thereof.
FIG. 36 is a perspective view of a sixth embodiment of a package for toothbrush;
FIG. 37 is a front view thereof;
FIG. 38 is a rear side view thereof;
FIG. 39 is a right view thereof;
FIG. 40 is a left side view thereof;
FIG. 41 is a top plan view thereof; and

(Continued)

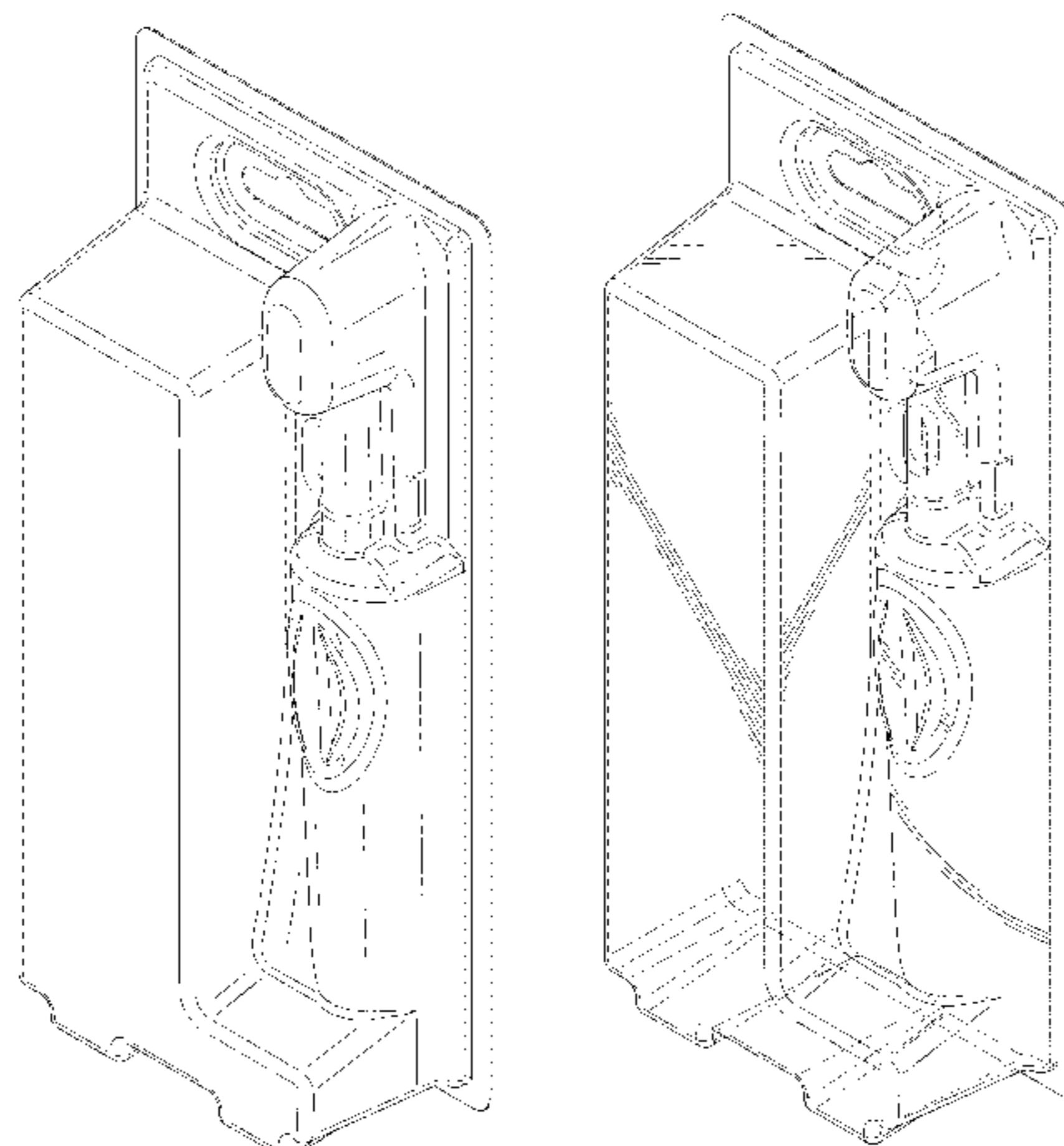


FIG. 42 is a bottom view thereof.
 FIG. 43 is a perspective view of a seventh embodiment of a package for toothbrush;
 FIG. 44 is a front view thereof;
 FIG. 45 is a rear side view thereof;
 FIG. 46 is a right view thereof;
 FIG. 47 is a left side view thereof;
 FIG. 48 is a top plan view thereof; and
 FIG. 49 is a bottom view thereof.
 FIG. 50 is a perspective view of an eighth embodiment of a package for toothbrush;
 FIG. 51 is a front view thereof;
 FIG. 52 is a rear side view thereof;
 FIG. 53 is a right view thereof;
 FIG. 54 is a left side view thereof;
 FIG. 55 is a top plan view thereof; and,
 FIG. 56 is a bottom view thereof.

1 Claim, 40 Drawing Sheets

(58) **Field of Classification Search**

CPC B65D 75/36; B65D 75/367
 See application file for complete search history.

(56) **References Cited**

U.S. PATENT DOCUMENTS

6,189,693 B1 * 2/2001 Blaustein A61C 17/3436
 206/362.2
 6,311,837 B1 * 11/2001 Blaustein B65D 75/36
 15/28

D451,382 S * 12/2001 Adkins D9/415
 D504,811 S * 5/2005 Haingaertner D9/415
 D505,619 S * 5/2005 Metaxatos D9/679
 6,957,909 B1 * 10/2005 Dingeldein B65D 75/36
 220/221
 D511,105 S * 11/2005 Dominesey D9/748
 D511,452 S * 11/2005 Dibnah D9/415
 D623,935 S * 9/2010 Kim D9/415
 8,261,909 B2 * 9/2012 Sorrentino B65D 5/04
 206/354
 D684,045 S * 6/2013 Frees D9/424
 D700,508 S * 3/2014 Trontel D9/415
 D781,140 S * 3/2017 Hubner D9/415
 D781,697 S * 3/2017 Hubner D9/415
 D782,296 S * 3/2017 Hubner D9/415
 D826,706 S * 8/2018 Moskovich D9/415
 2001/0022277 A1 * 9/2001 Blaustein A61C 17/22
 206/362.2
 2003/0164320 A1 * 9/2003 Magnusson B65D 75/36
 206/470
 2003/0205492 A1 * 11/2003 Ferber A61C 17/22
 206/362.2
 2005/0092644 A1 * 5/2005 Cafferata A47F 1/126
 206/471
 2009/0230018 A1 * 9/2009 Brennan B65D 75/367
 206/703
 2011/0147241 A1 * 6/2011 Marcinkowski B65D 75/327
 206/223
 2015/0282603 A1 * 10/2015 Jimenez A46B 11/0065
 132/311
 2017/0367457 A1 * 12/2017 Greene A45D 27/225
 2018/0085515 A1 * 3/2018 Mide A61M 5/002

* cited by examiner

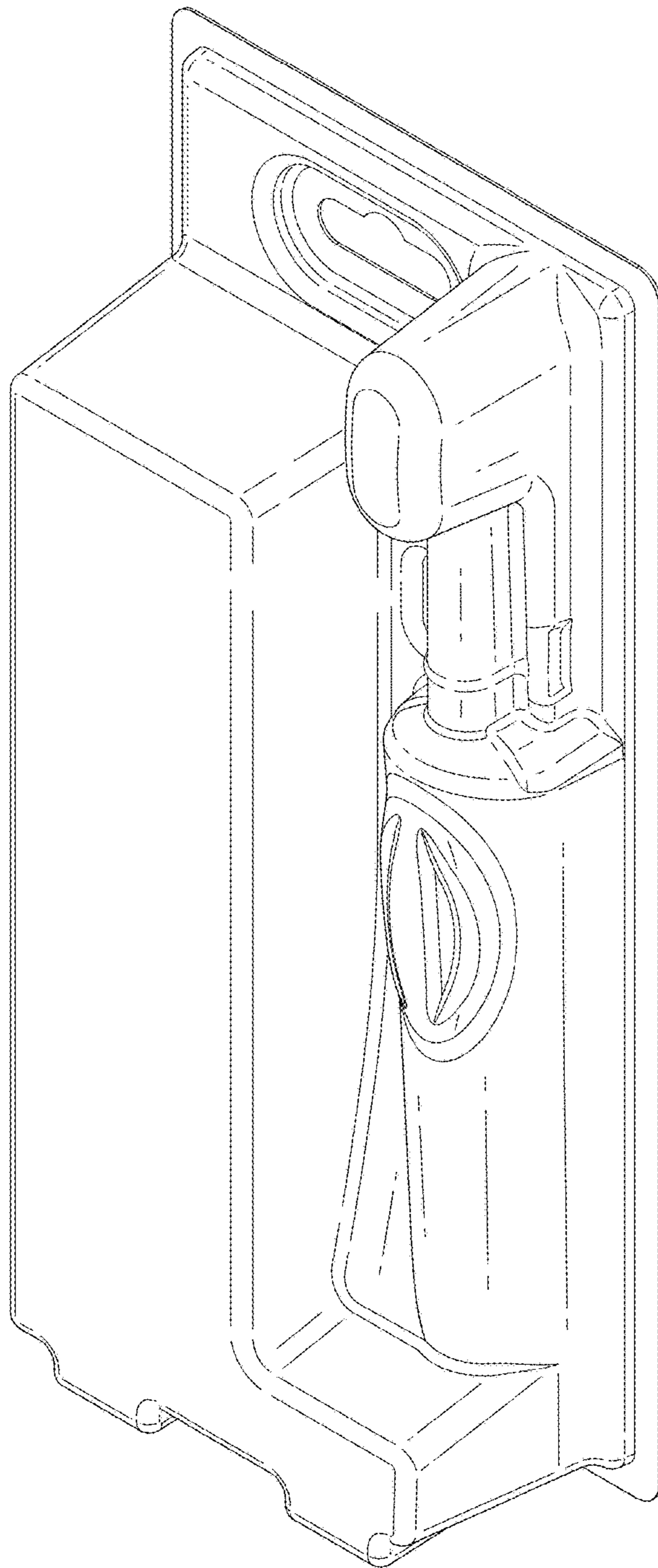


FIG. 1

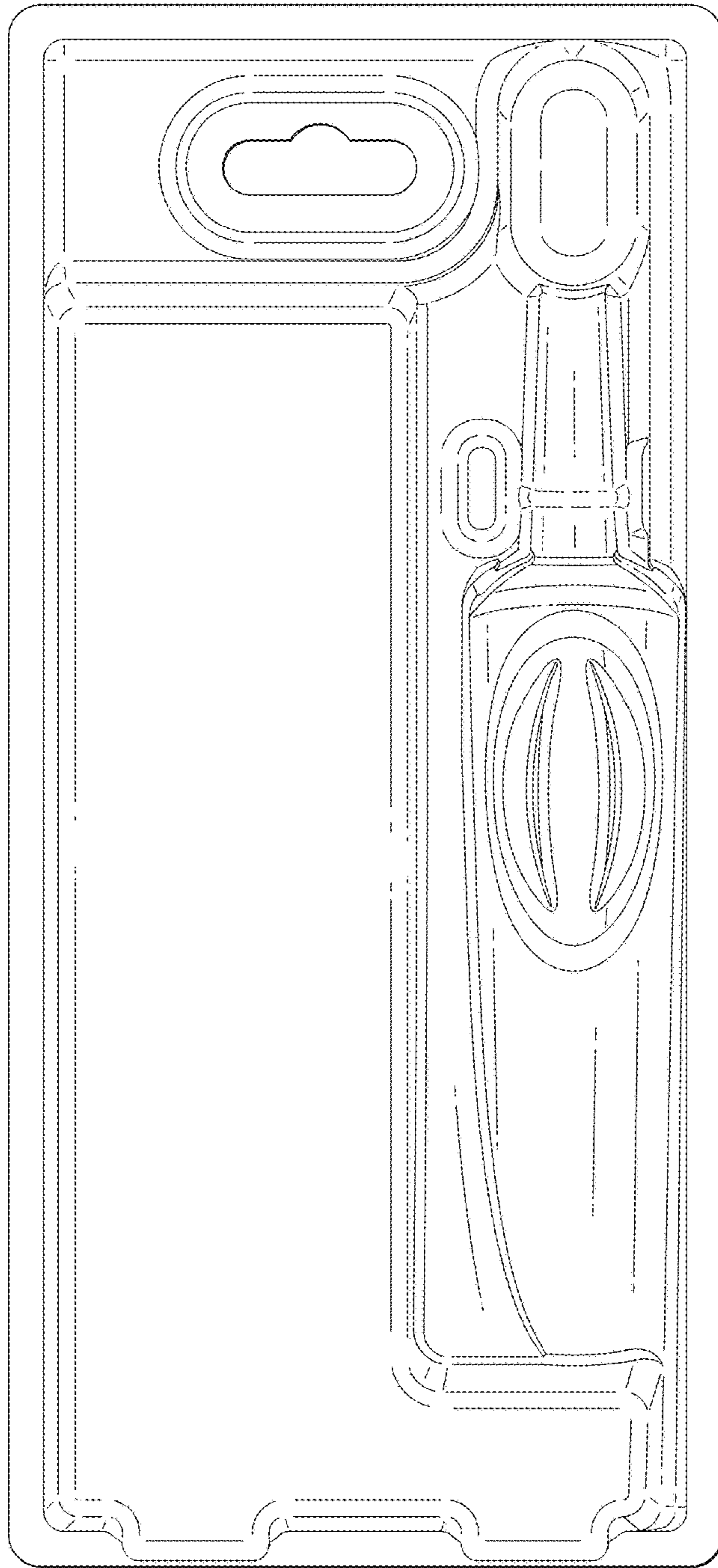


FIG. 2

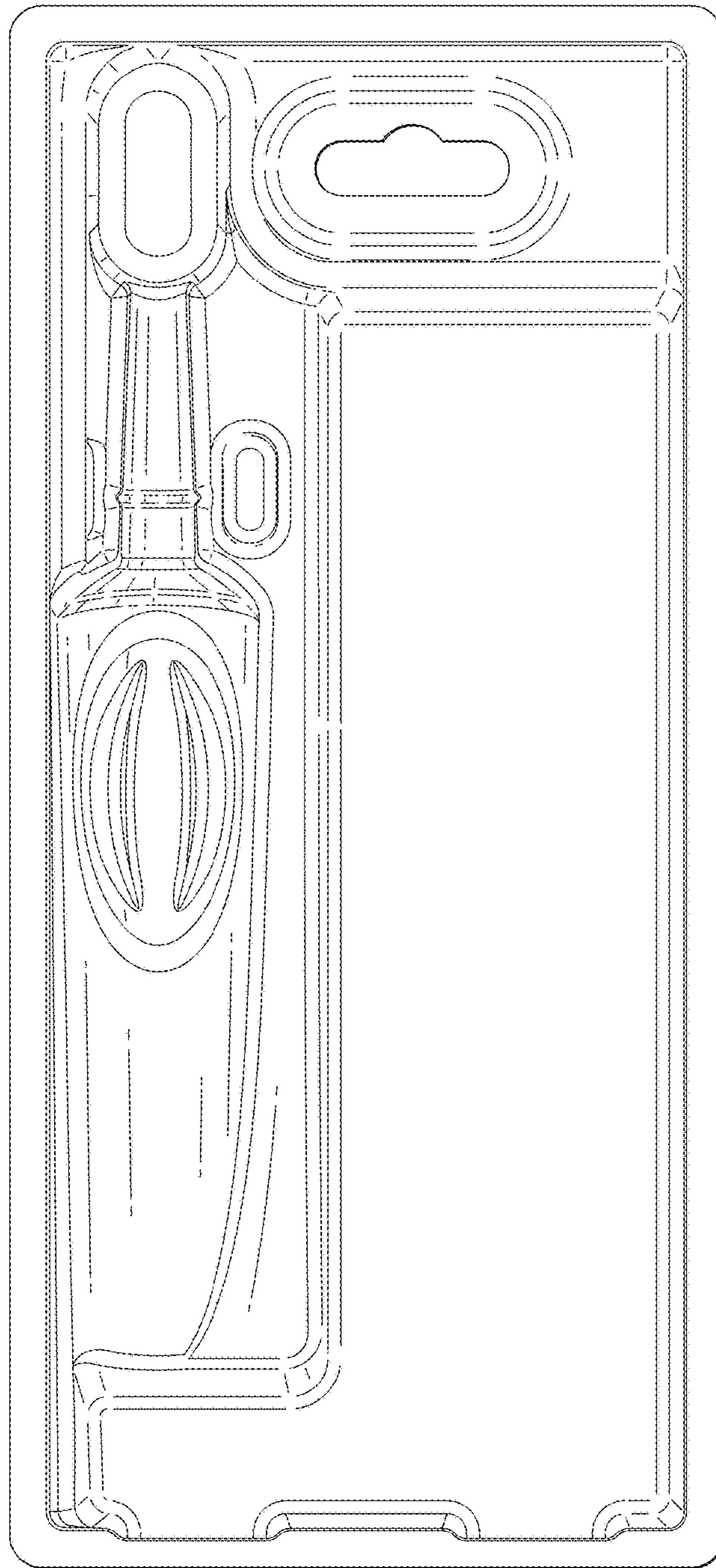


FIG. 3

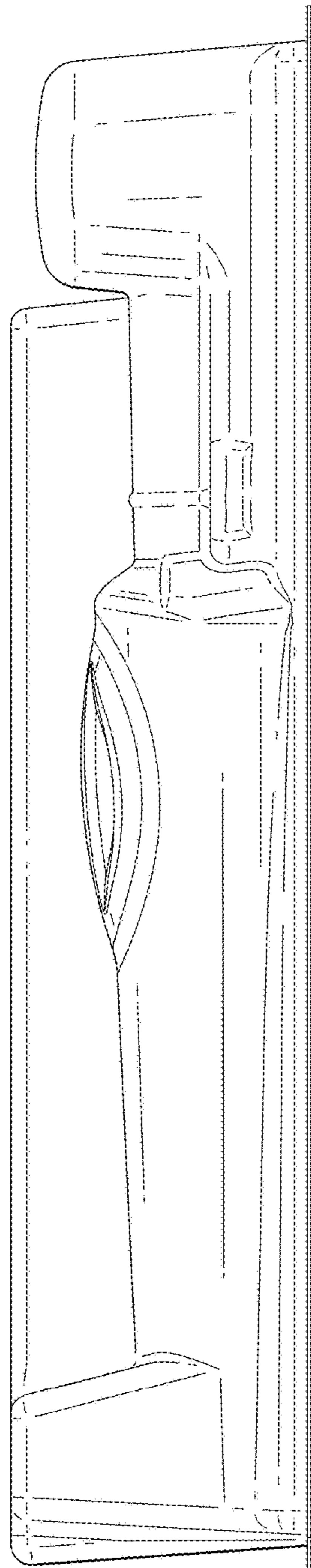


FIG. 4

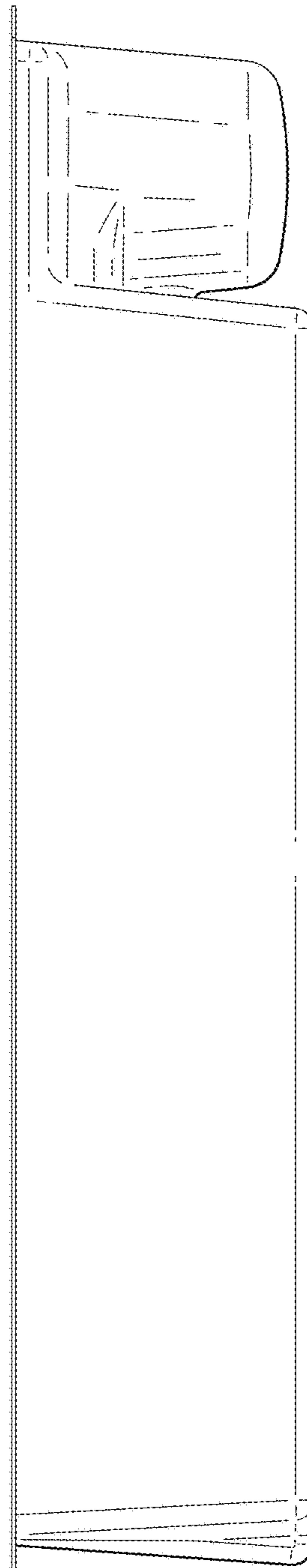


FIG. 5

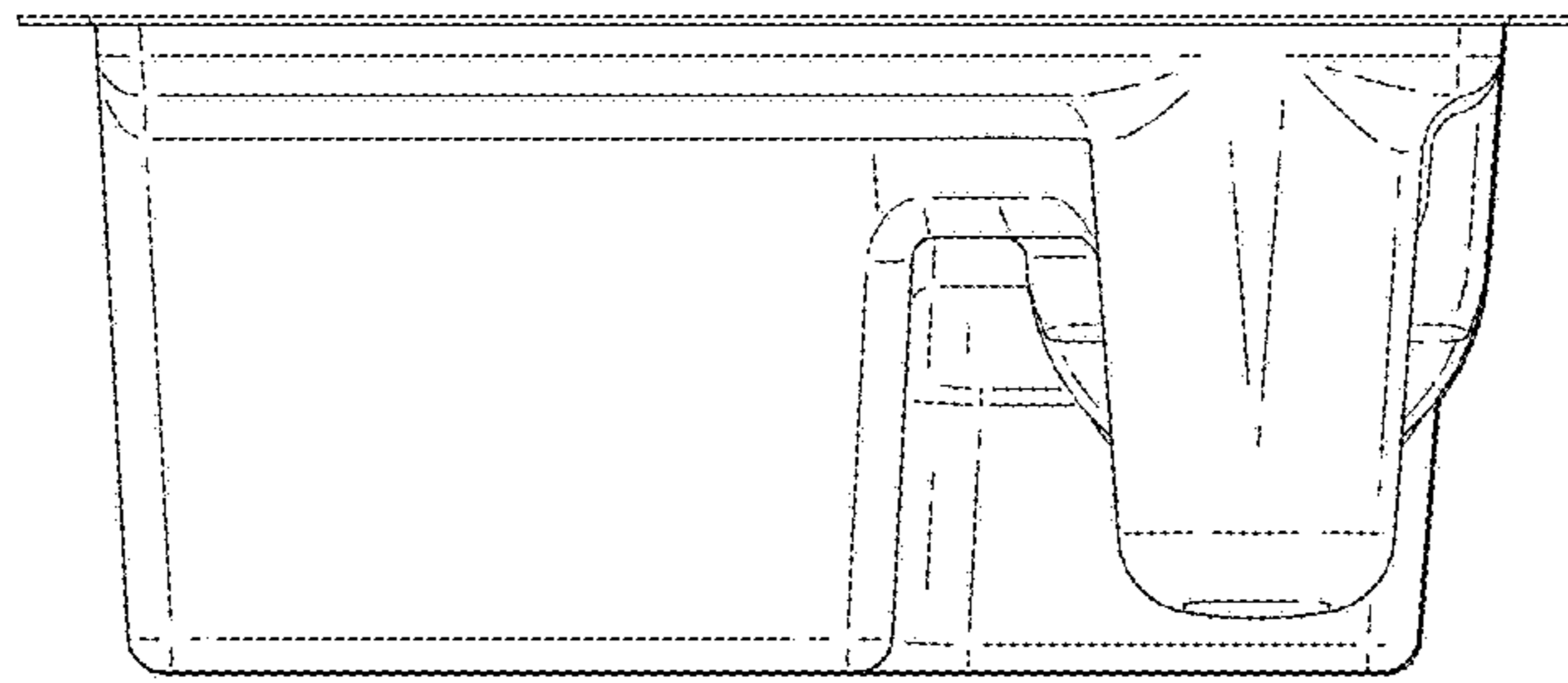


FIG. 6

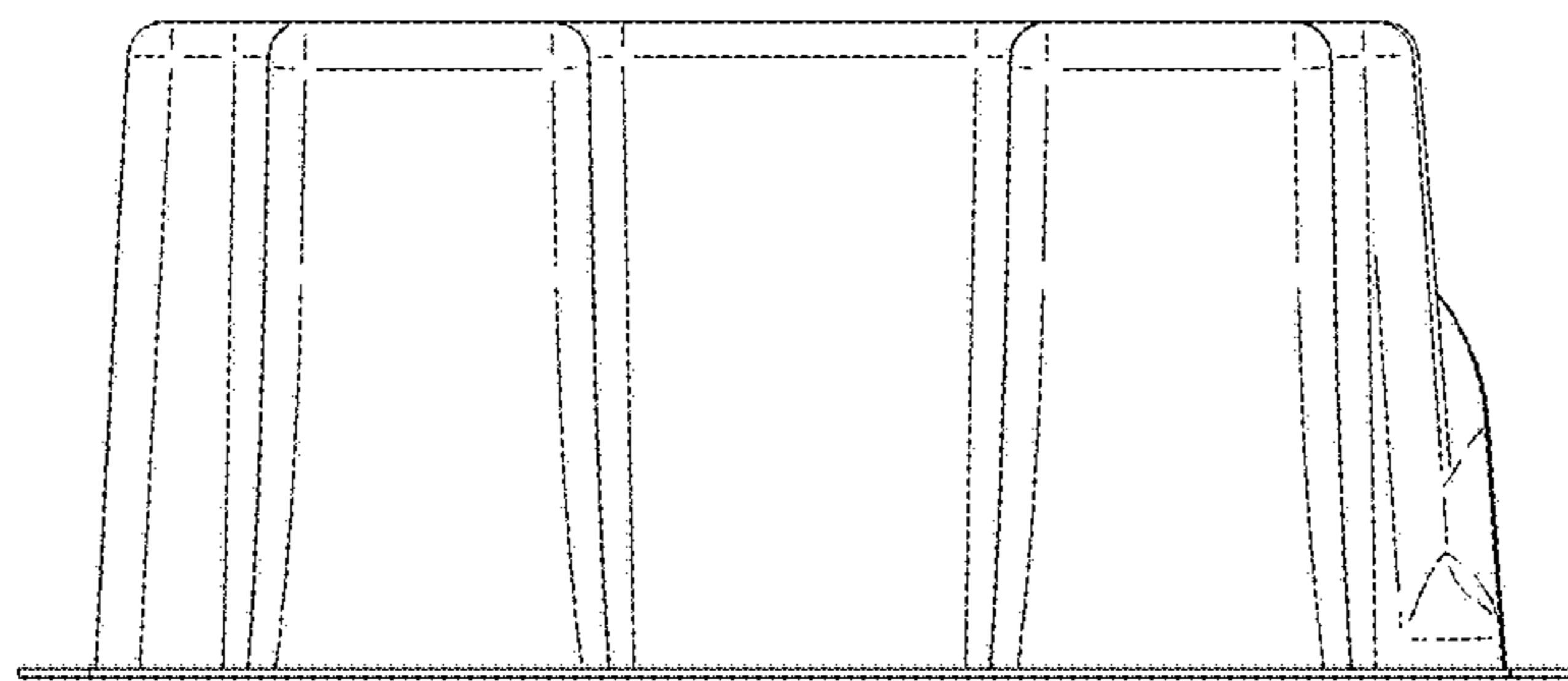


FIG. 7

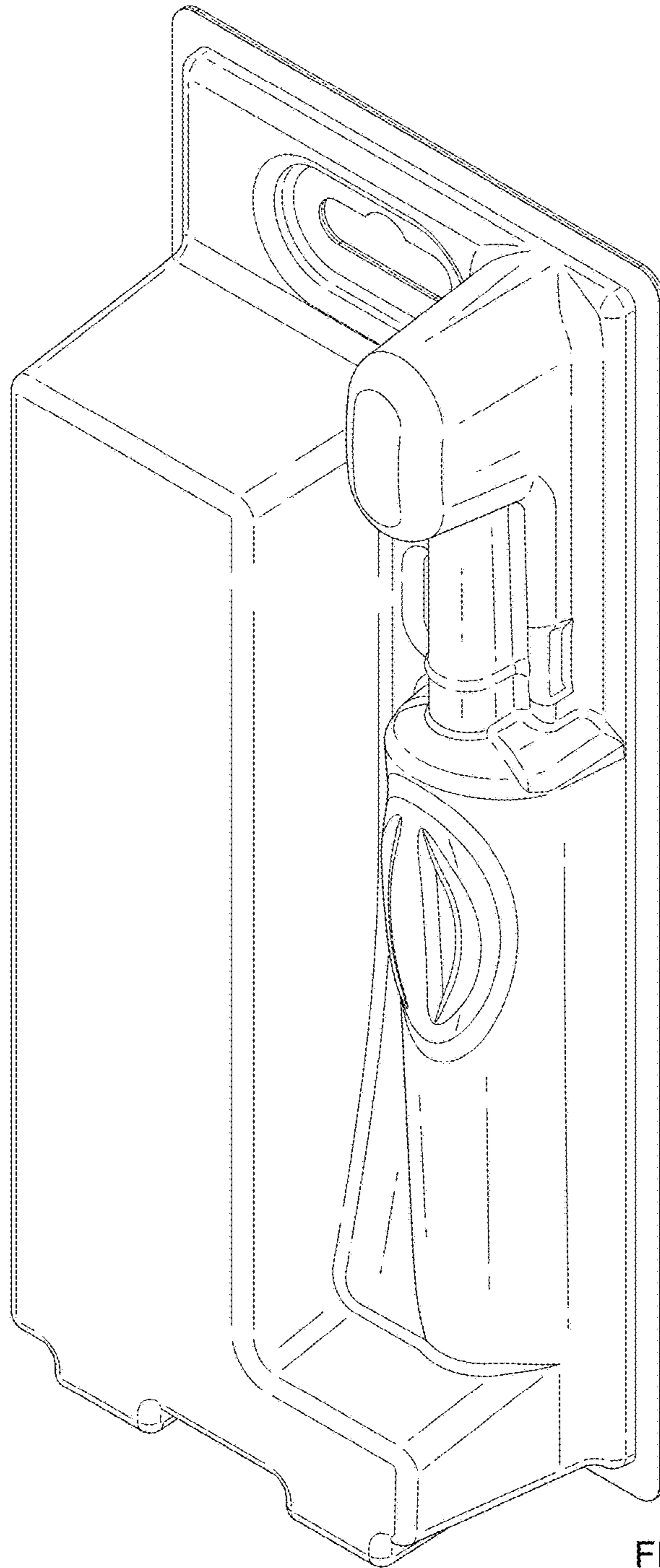


FIG. 8

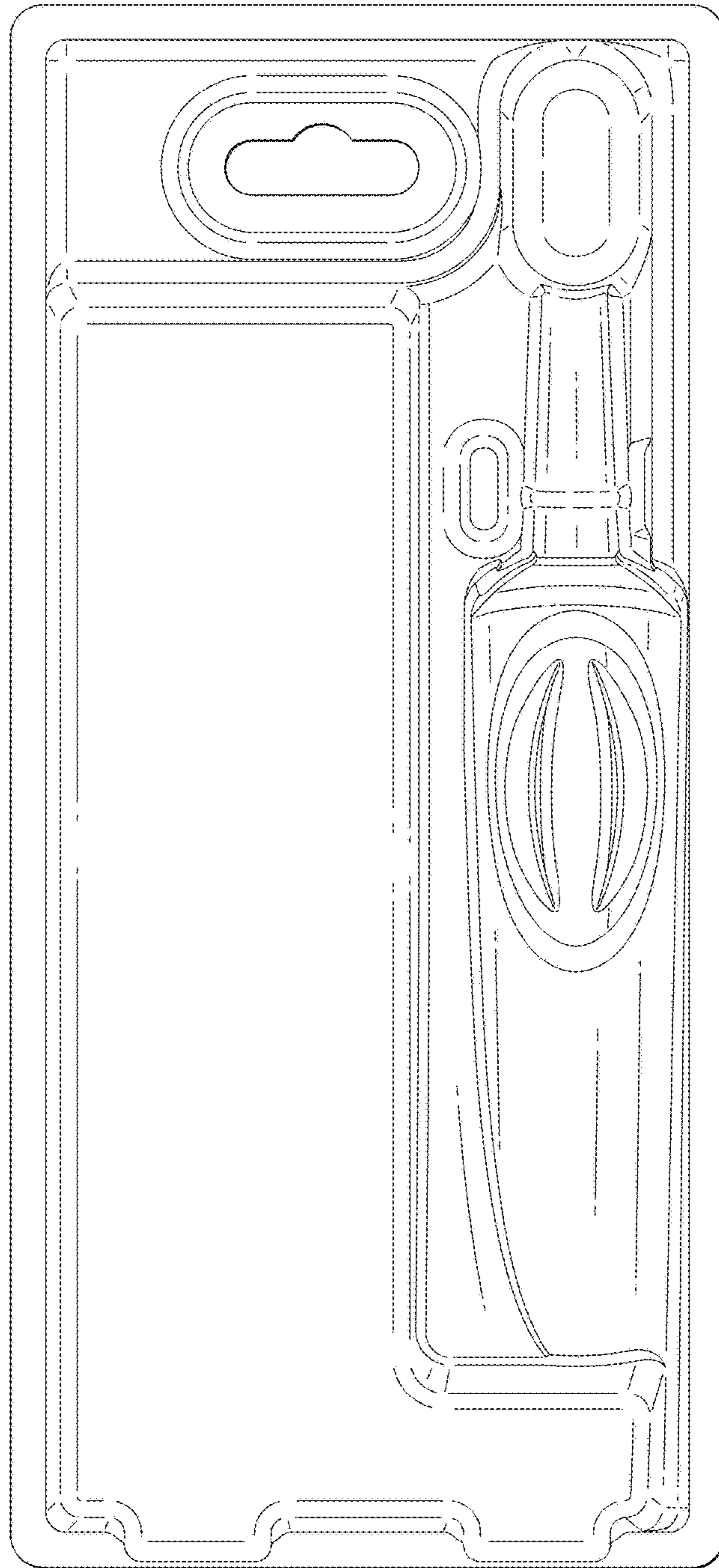


FIG. 9



FIG. 10

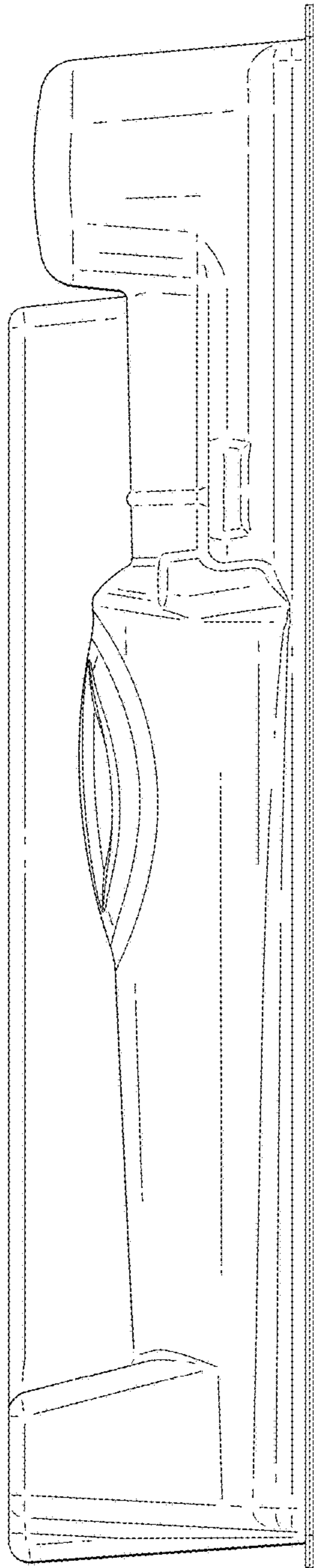


FIG. 11

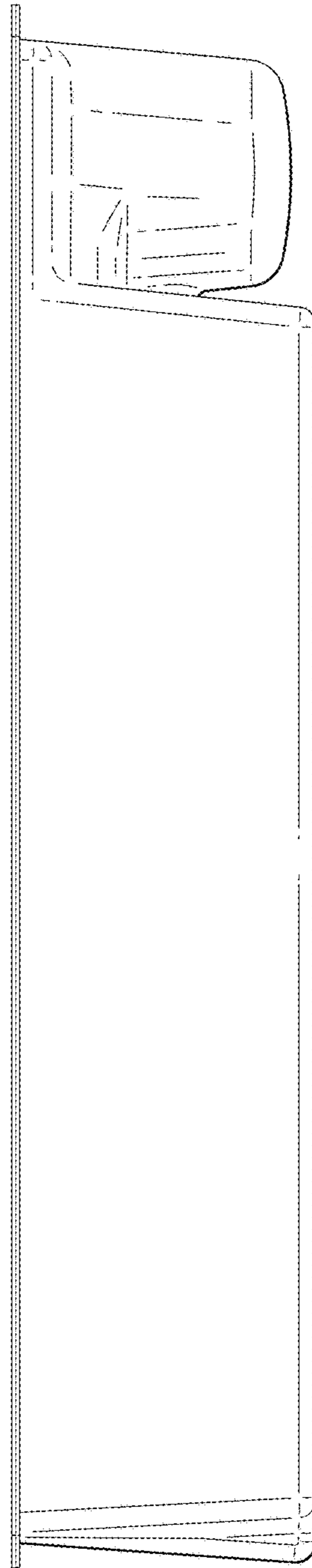


FIG. 12

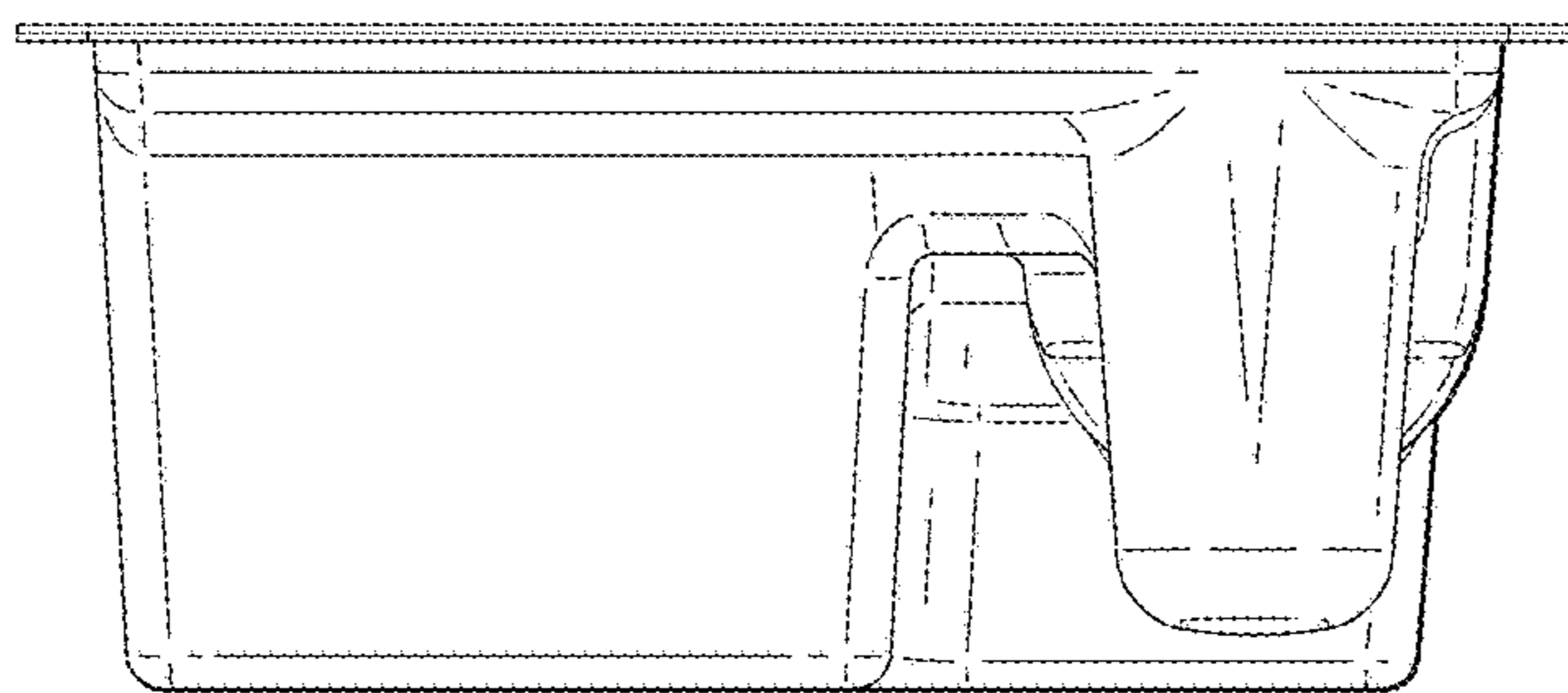


FIG. 13

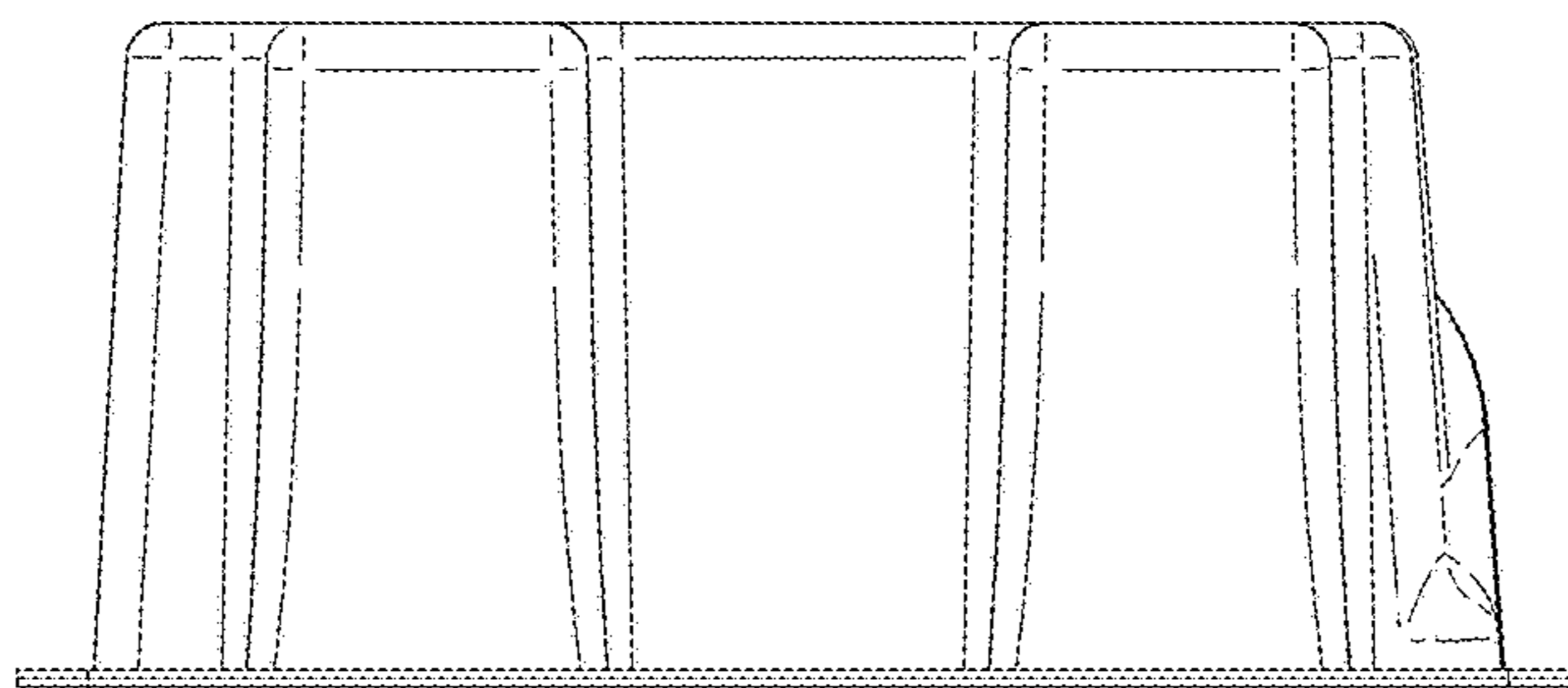


FIG. 14

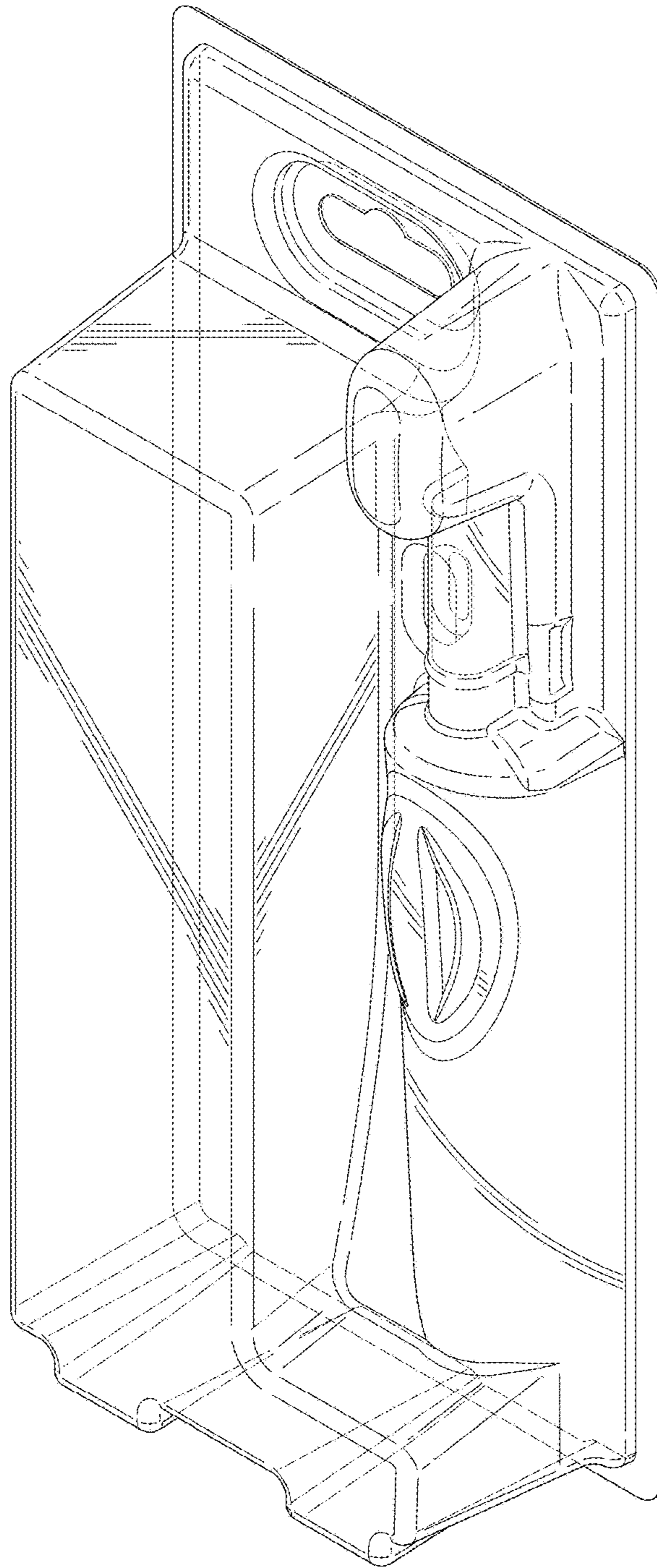


FIG. 15

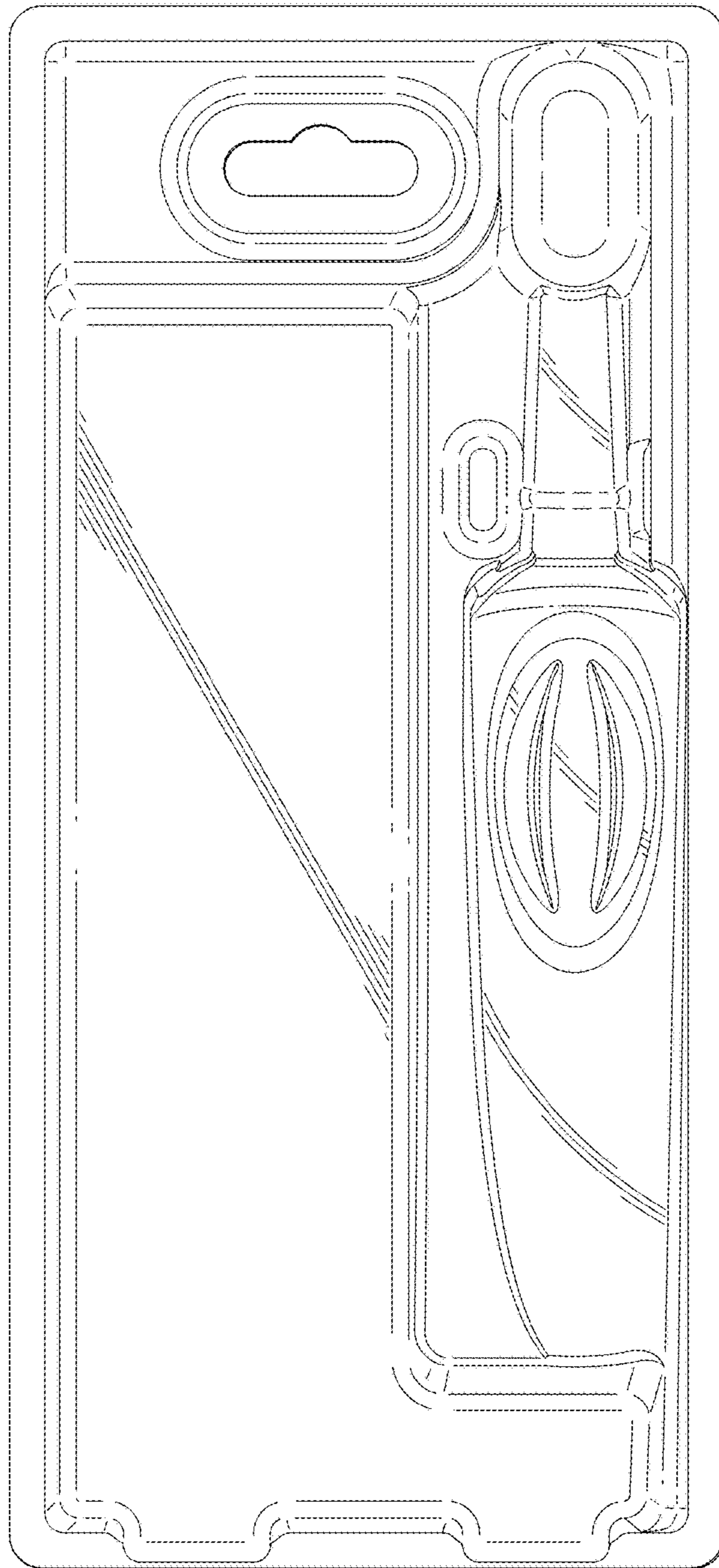


FIG. 16

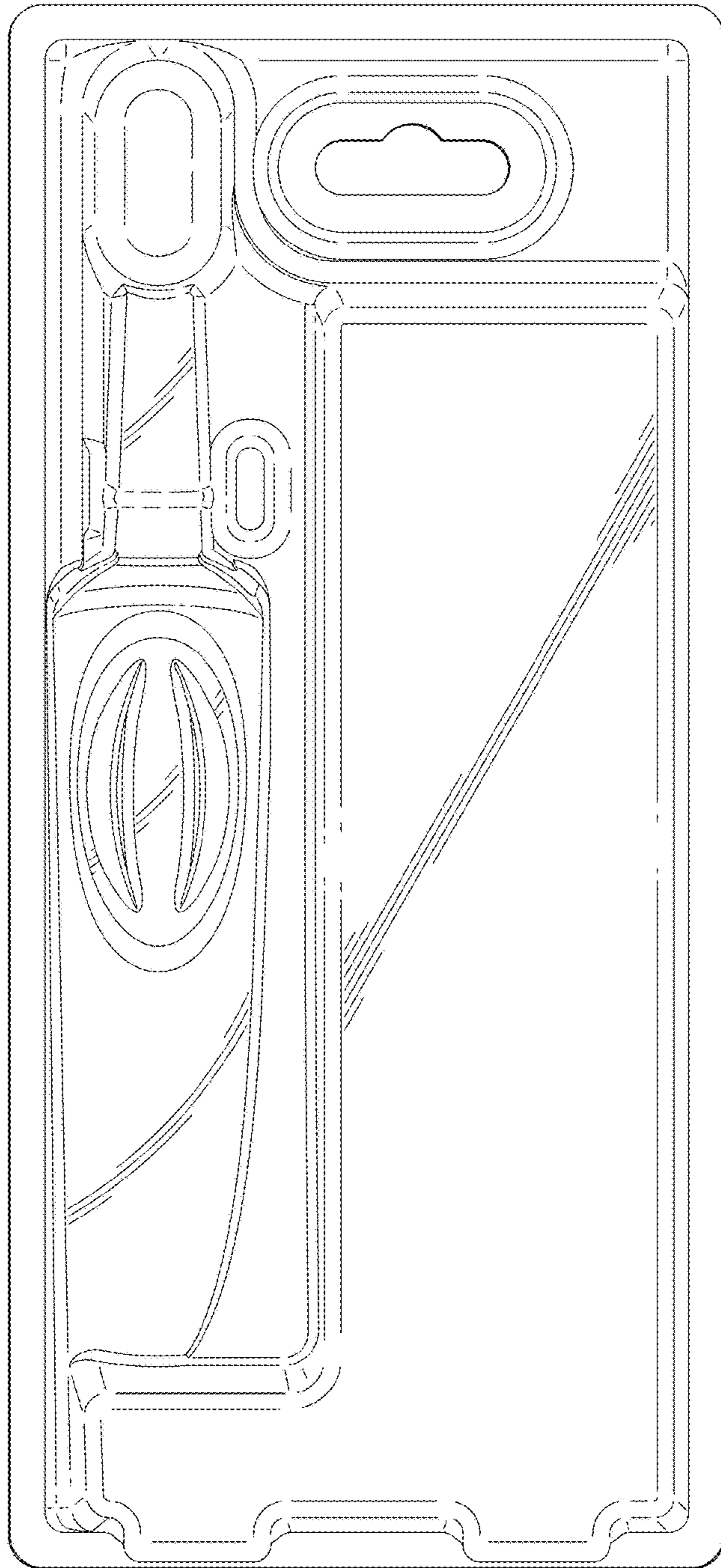


FIG. 17

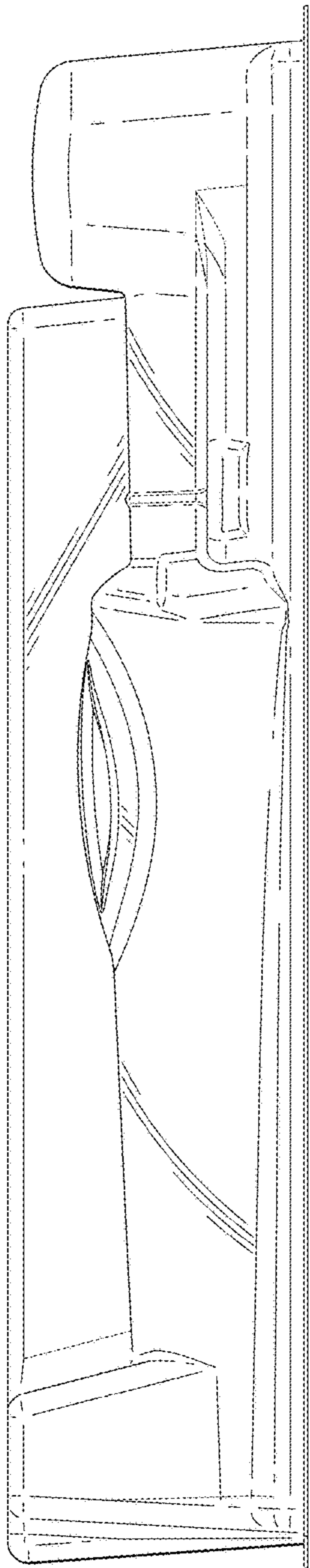


FIG. 18

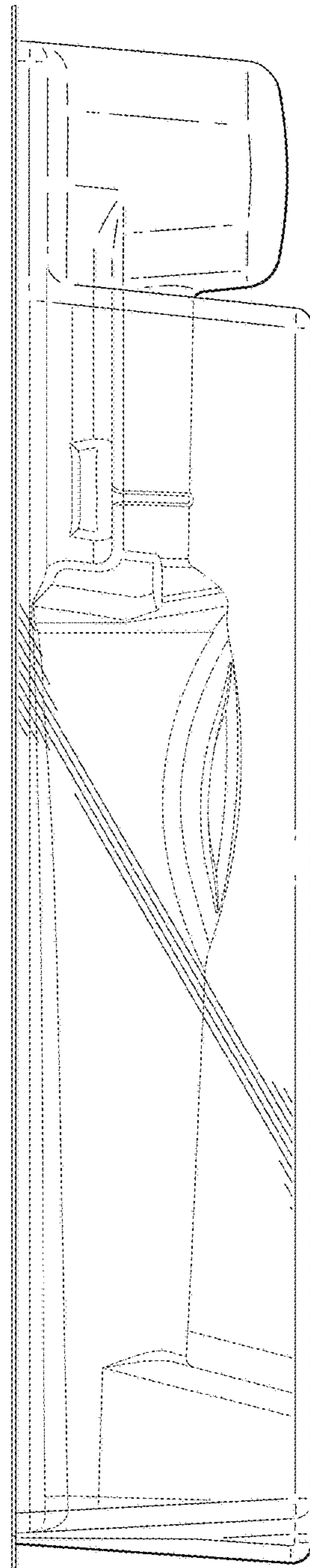


FIG. 19

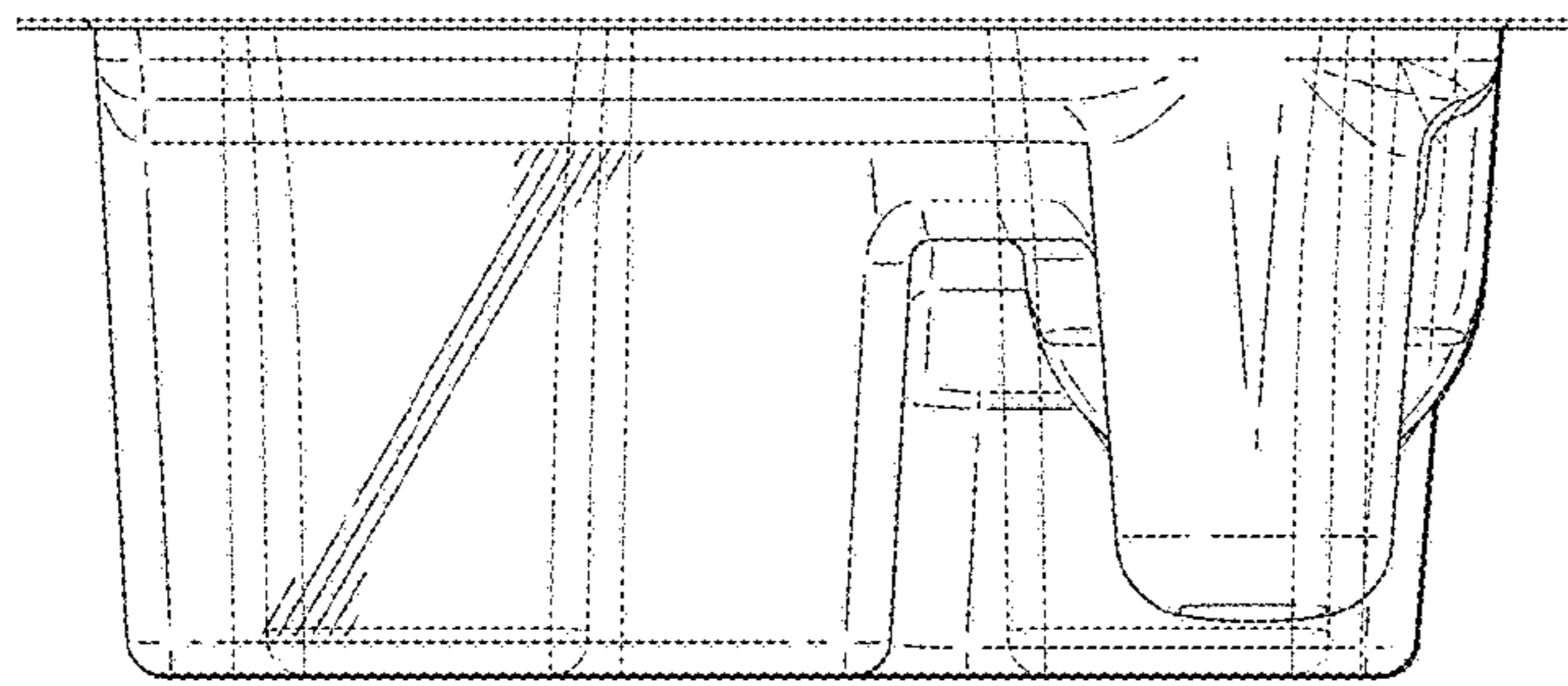


FIG. 20

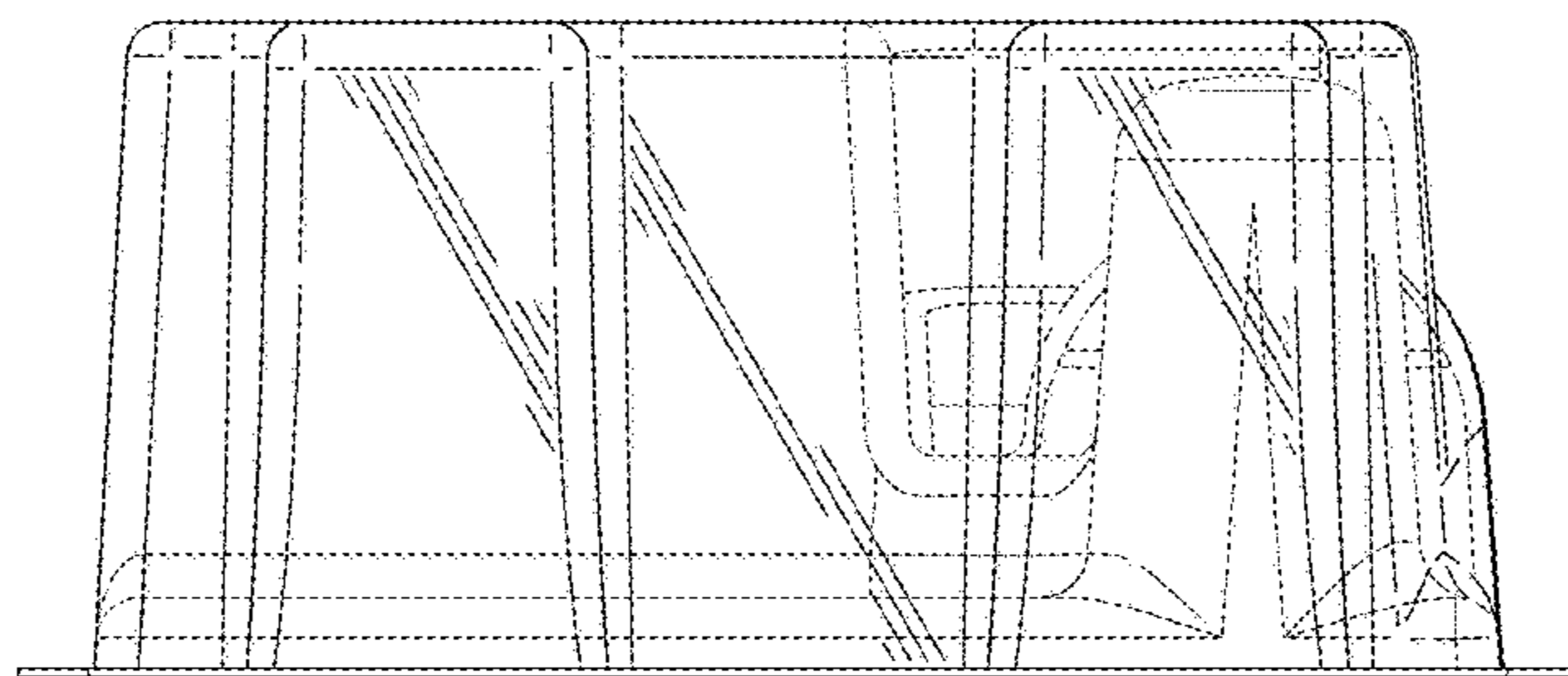


FIG. 21

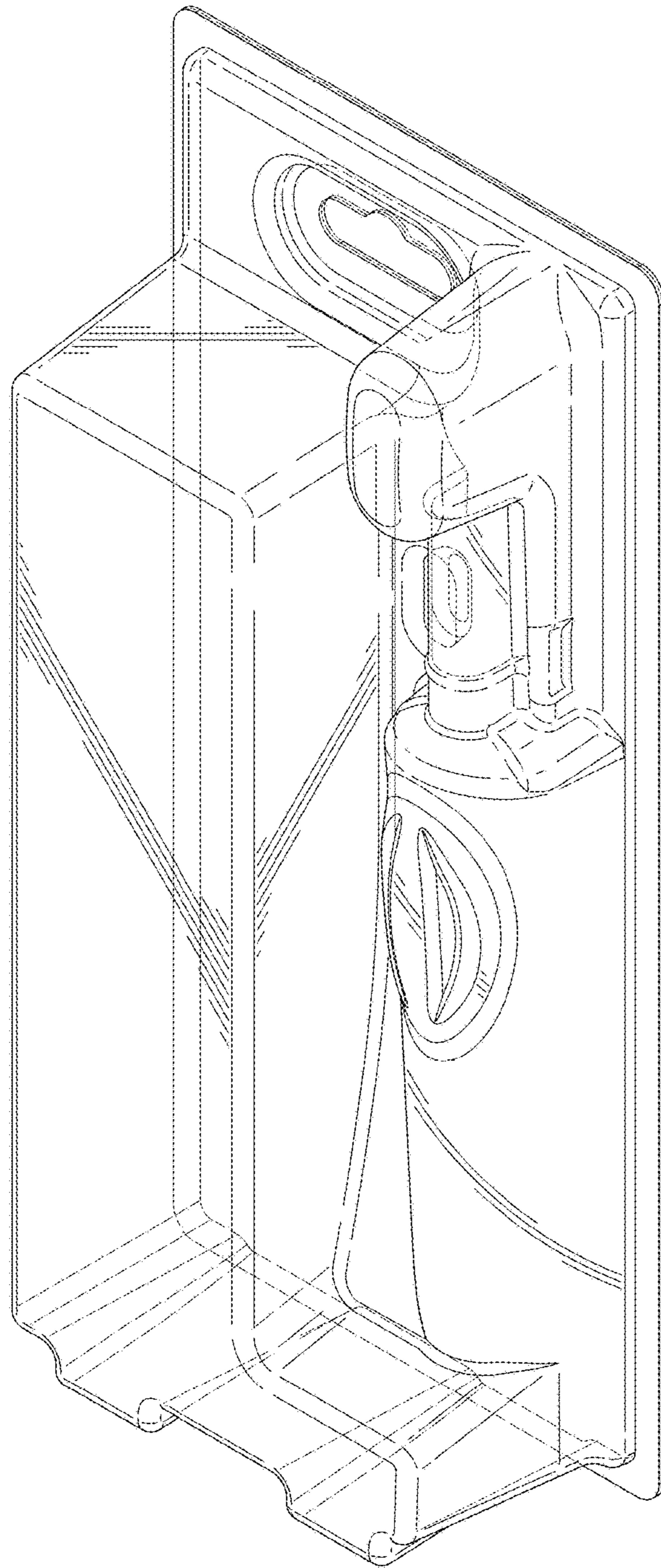


FIG. 22

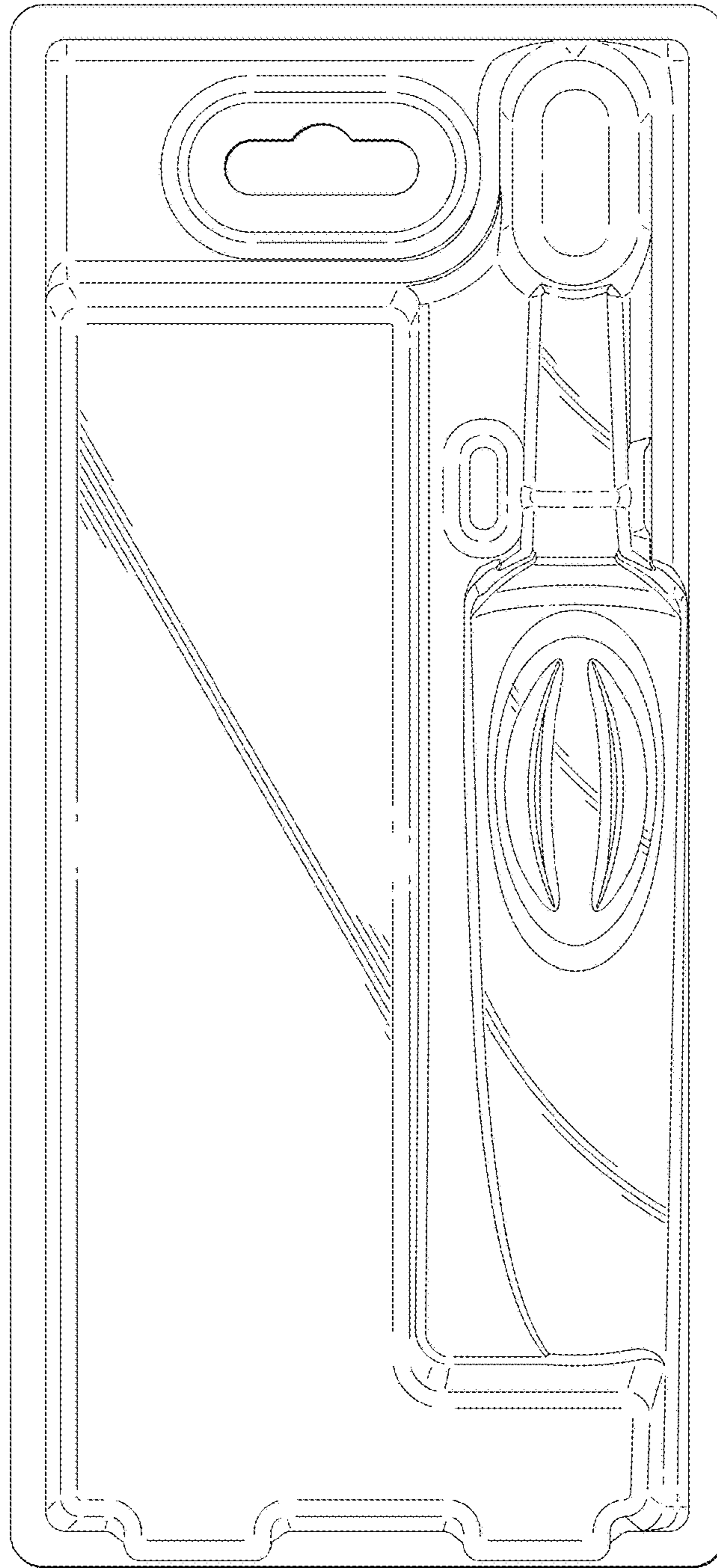


FIG. 23

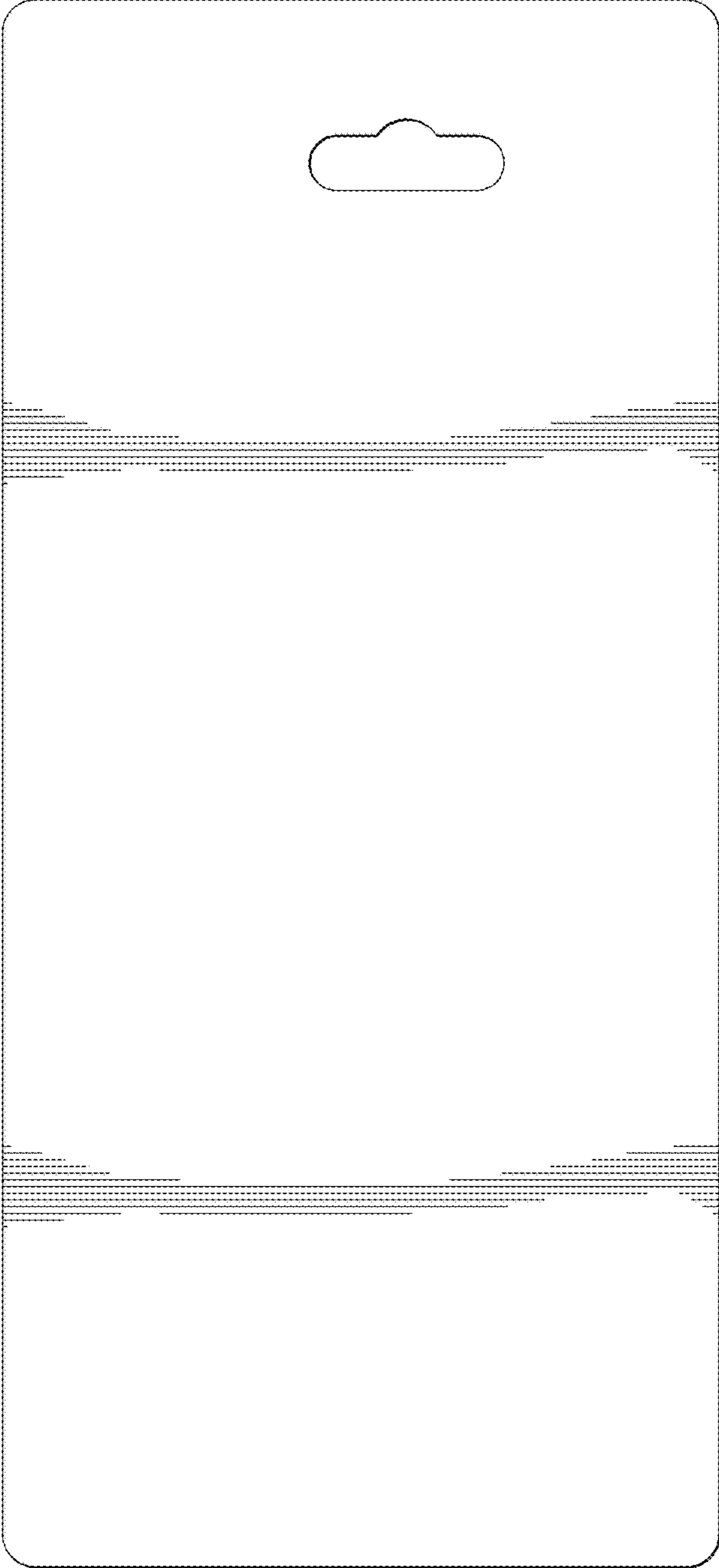


FIG. 24

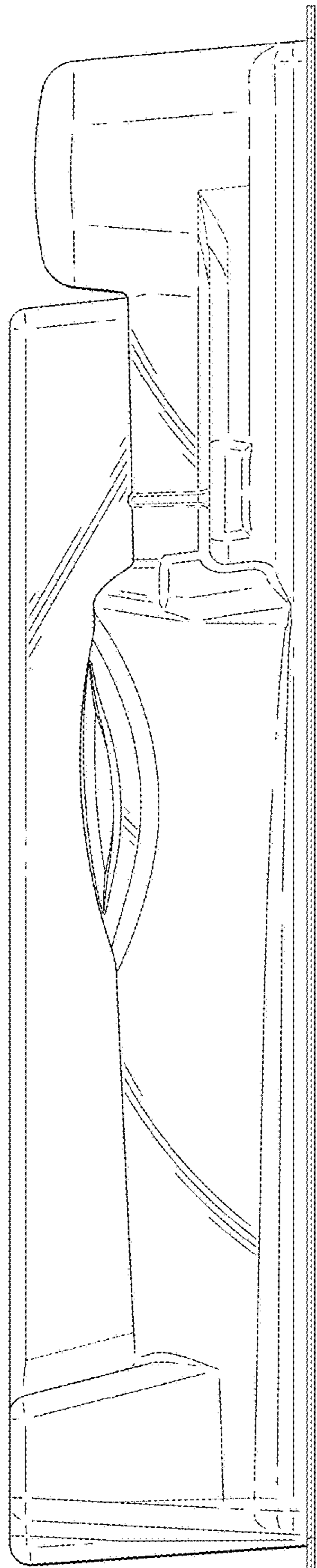


FIG. 25

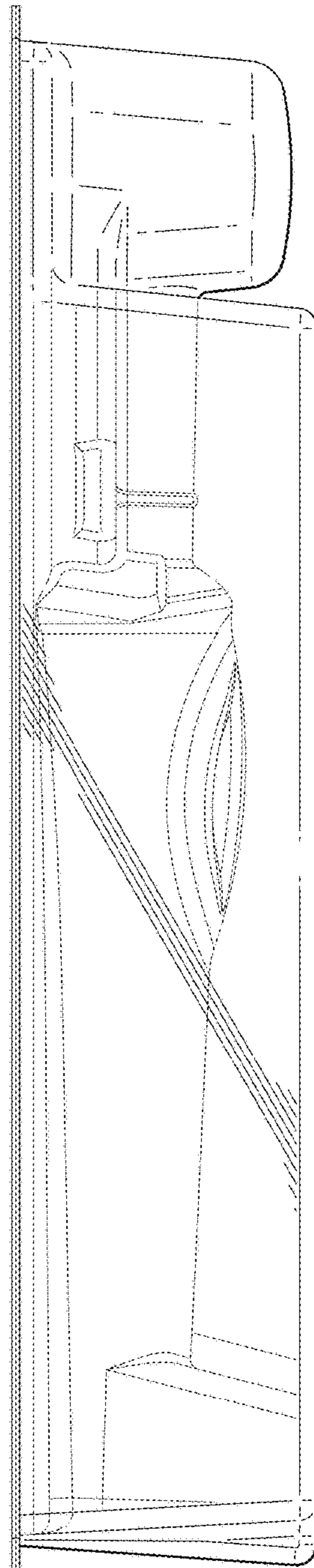


FIG. 26

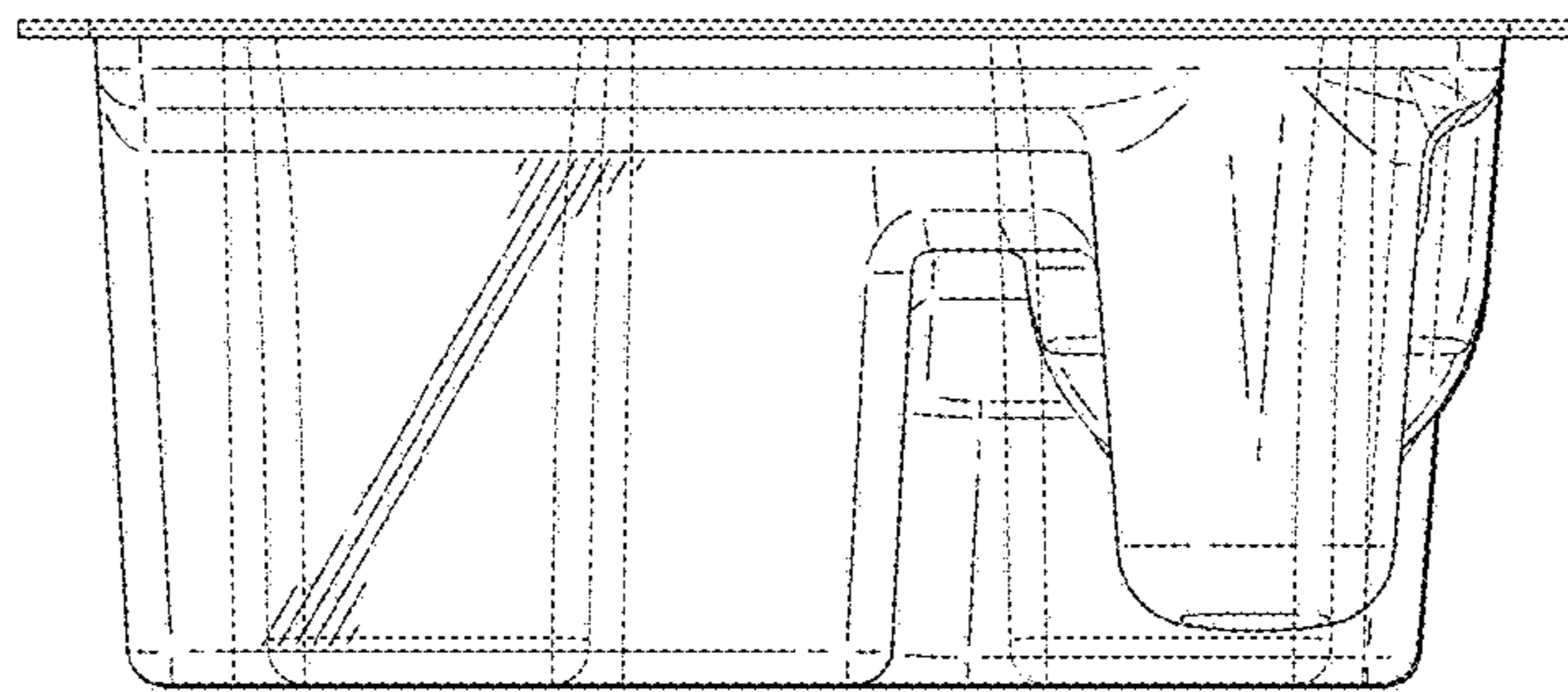


FIG. 27

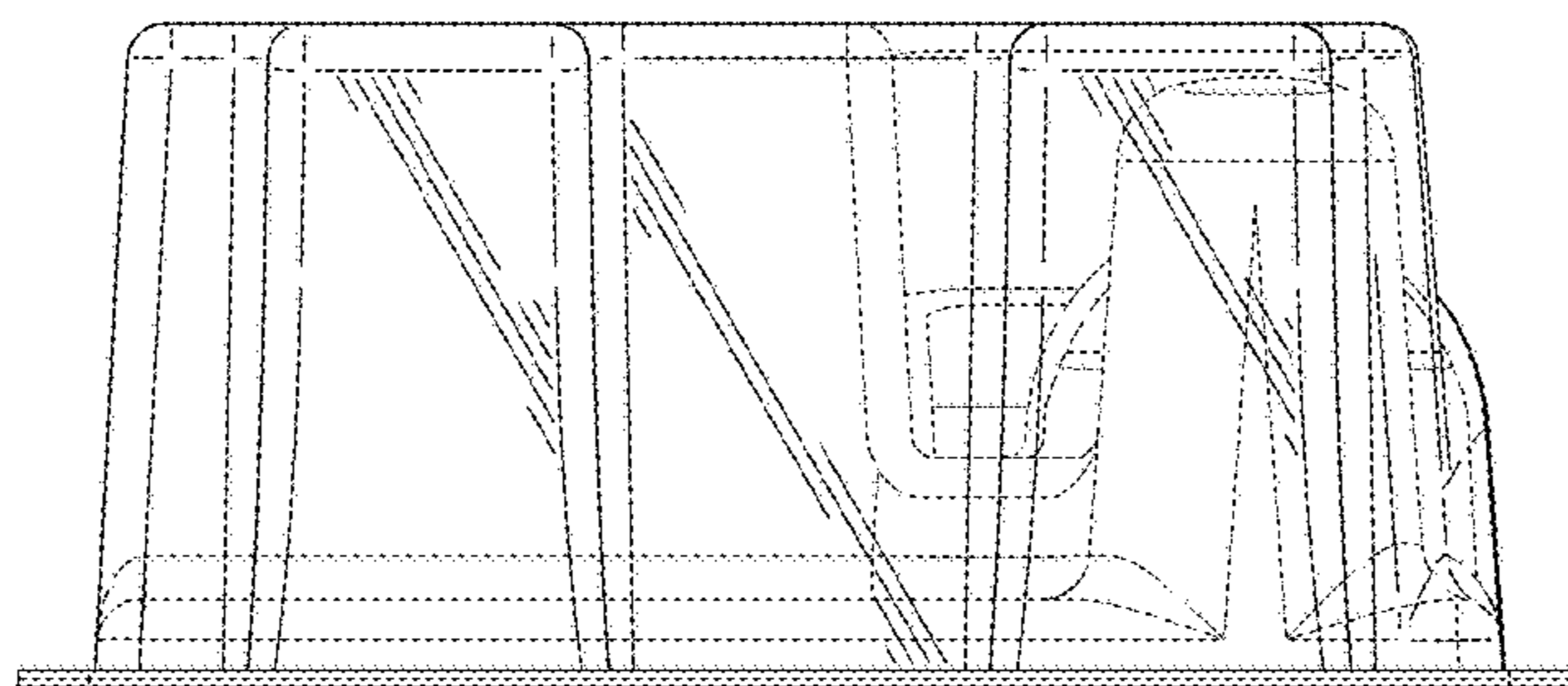


FIG. 28

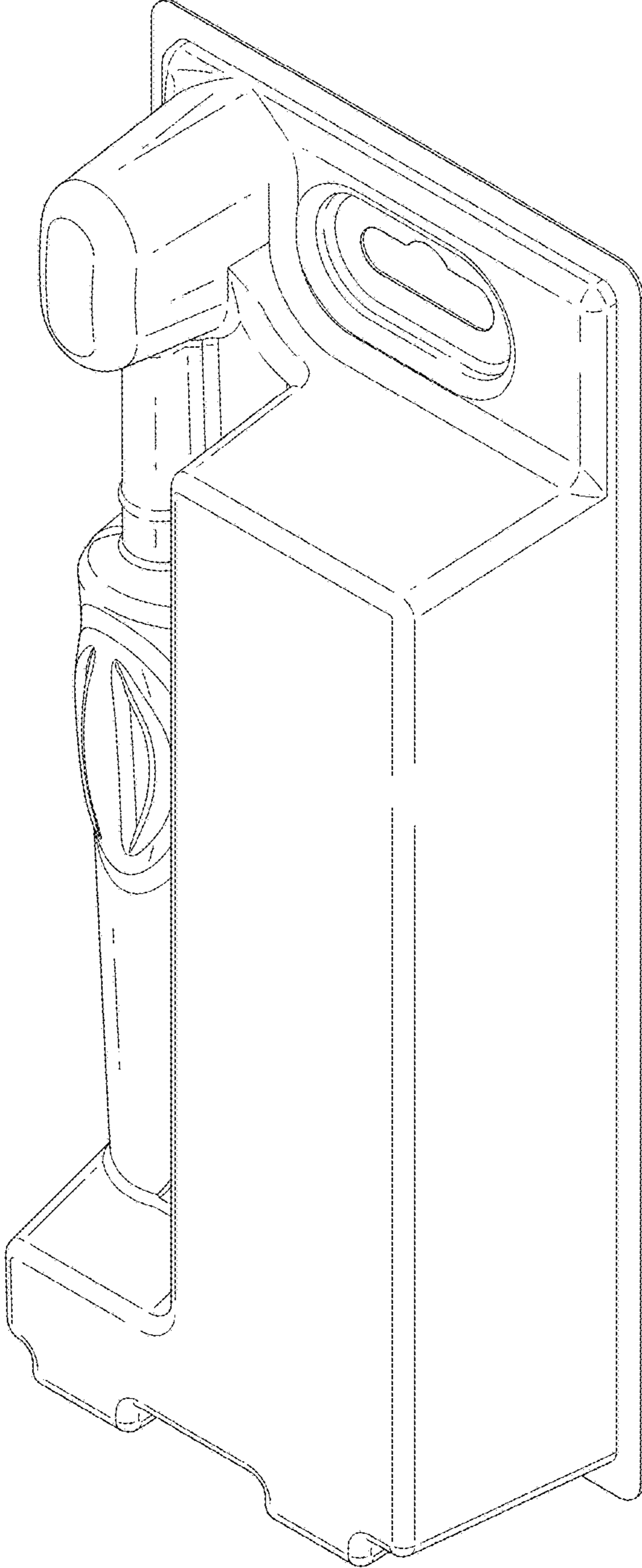


FIG. 29

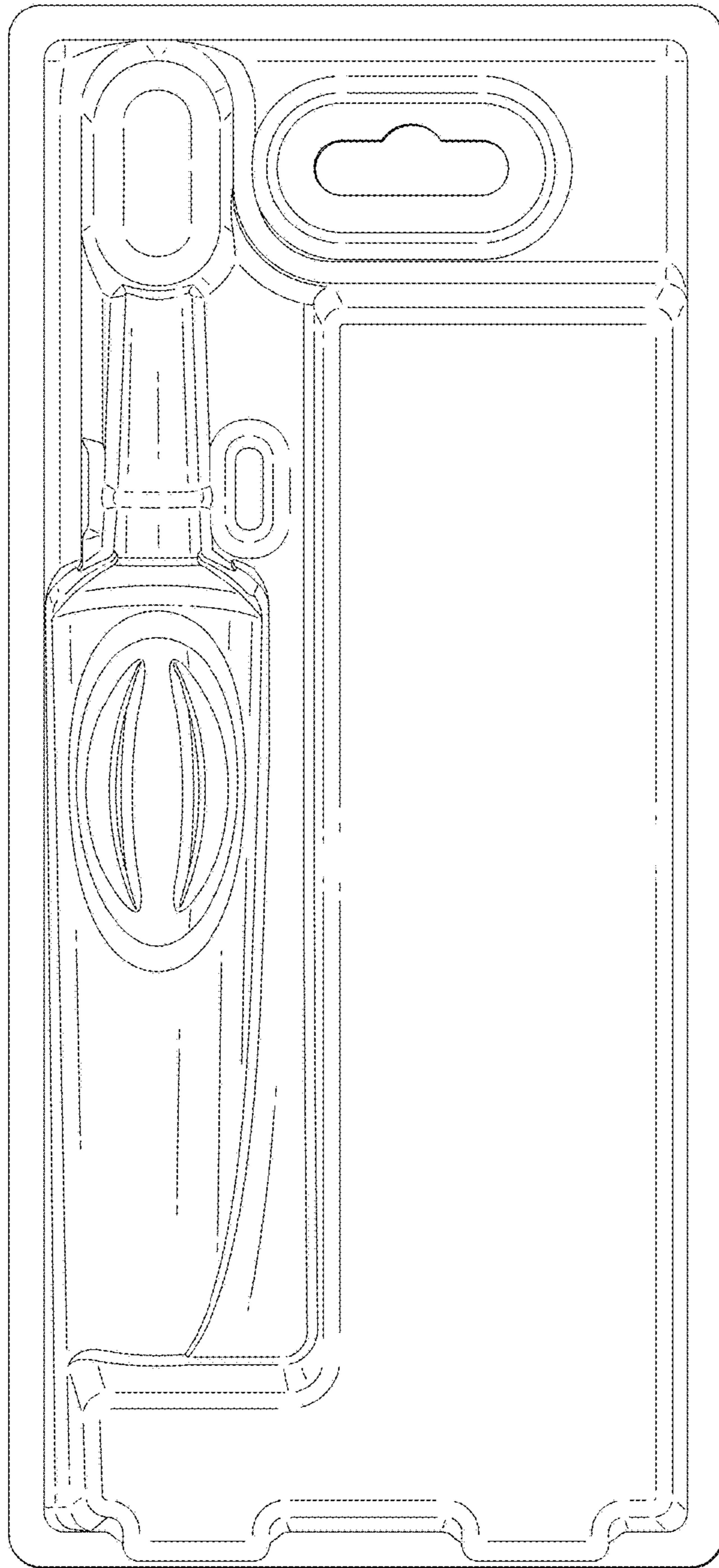


FIG. 30

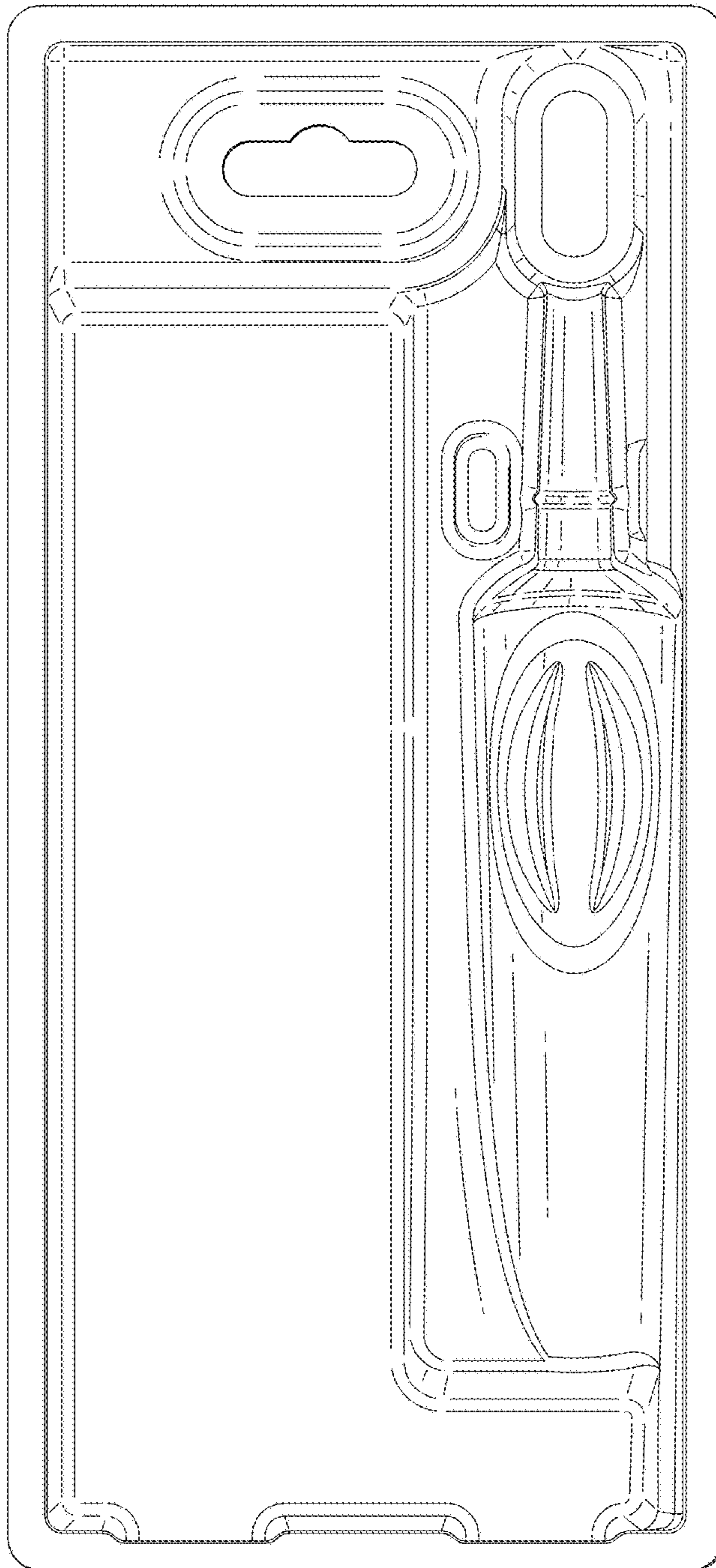


FIG. 31

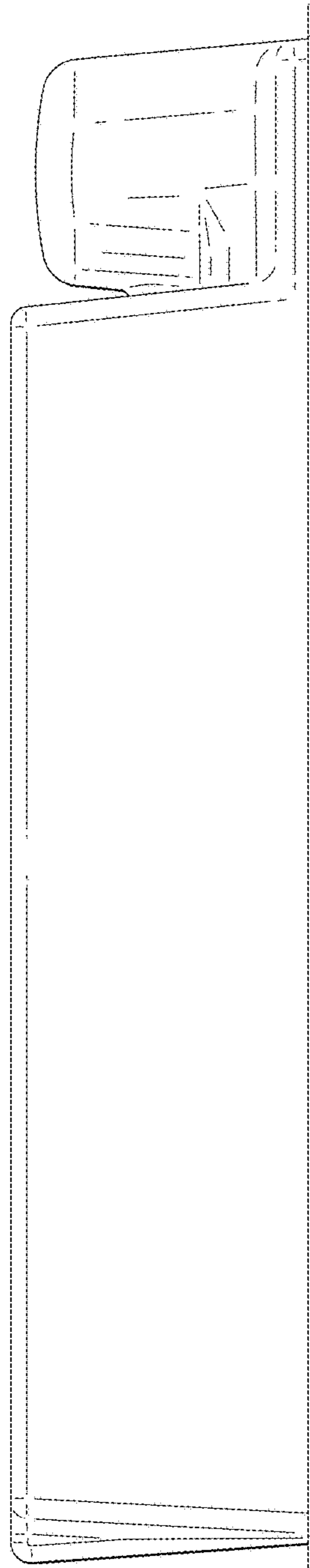


FIG. 32

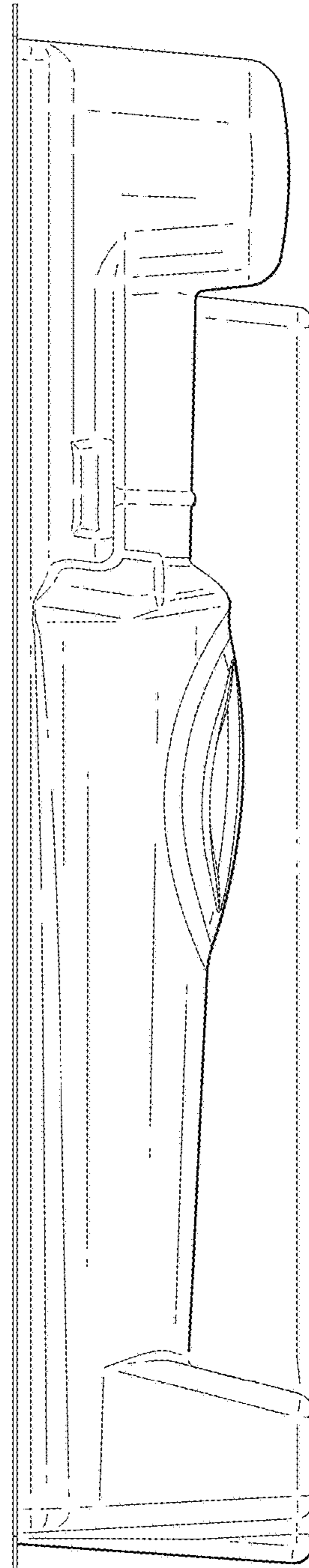


FIG. 33

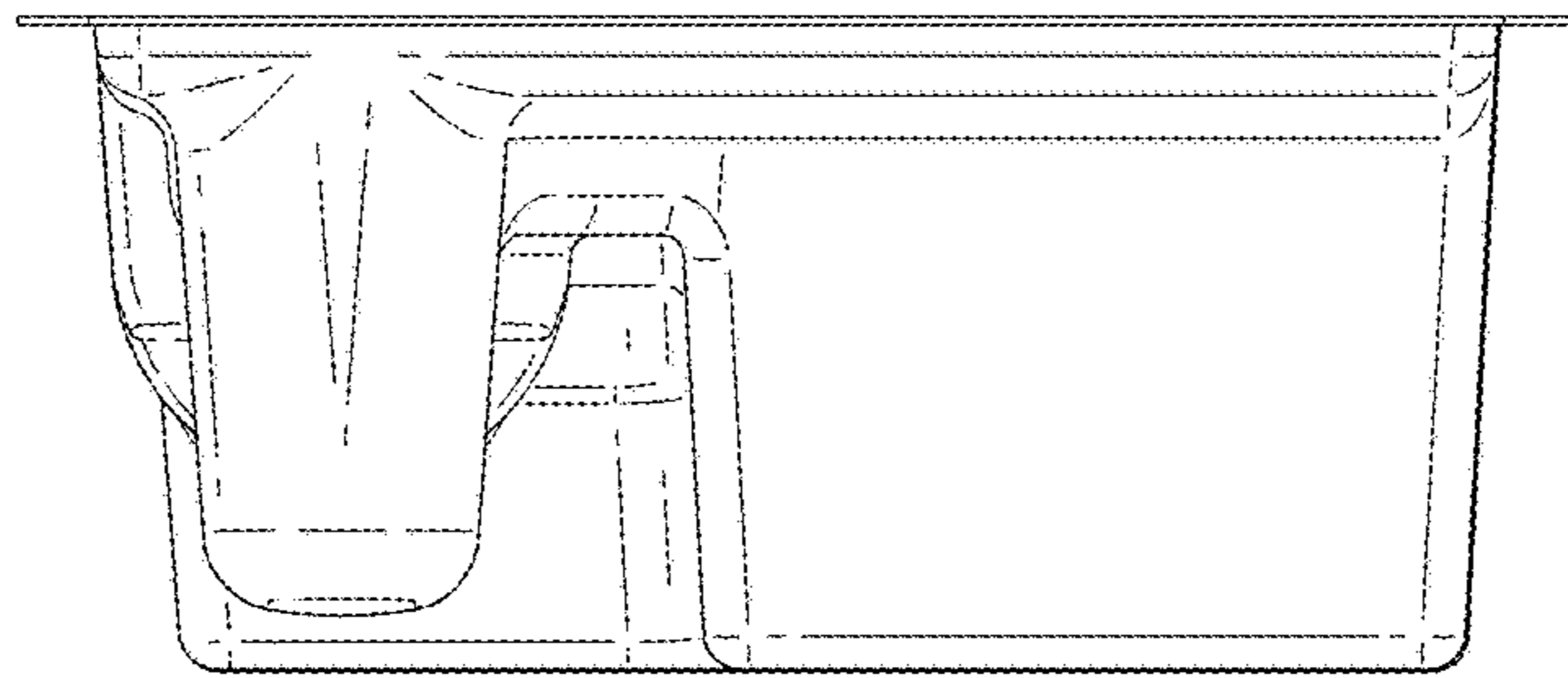


FIG. 34

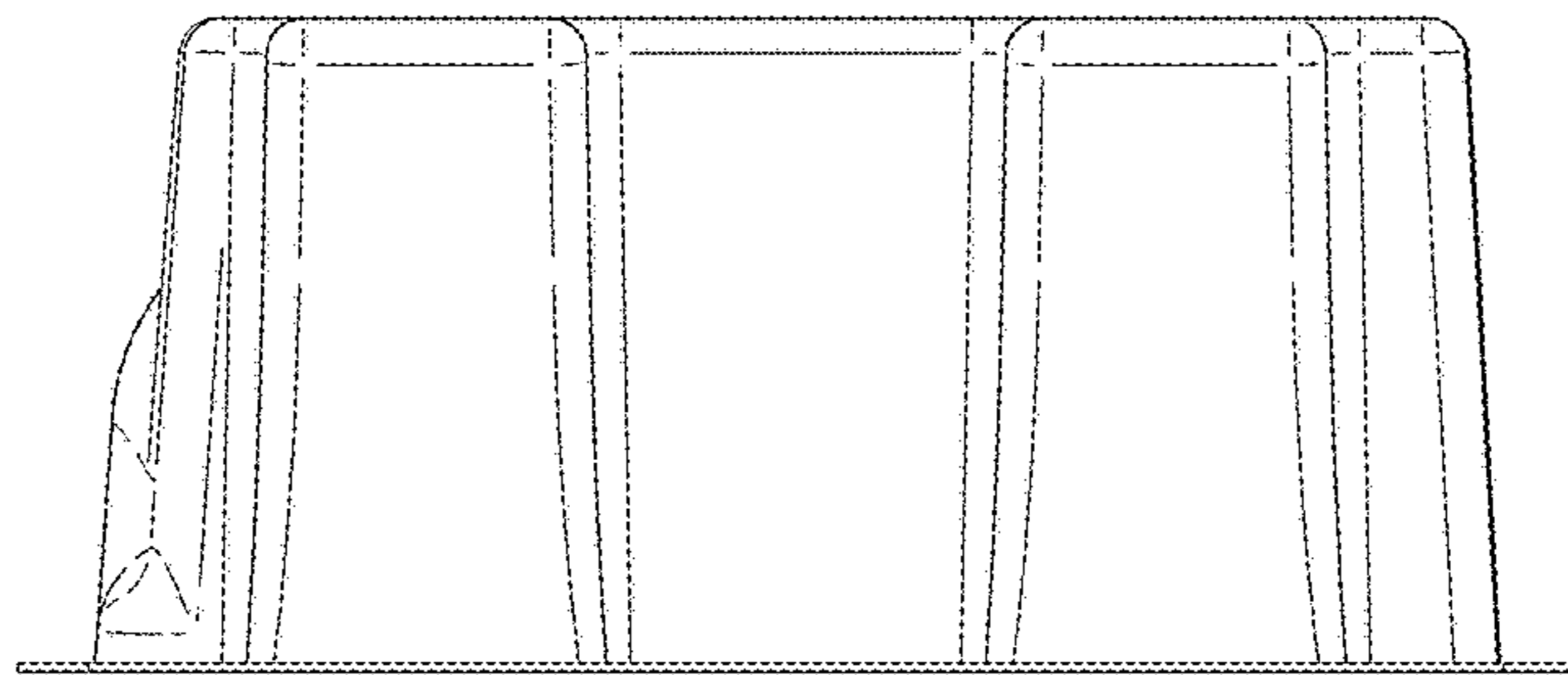


FIG. 35

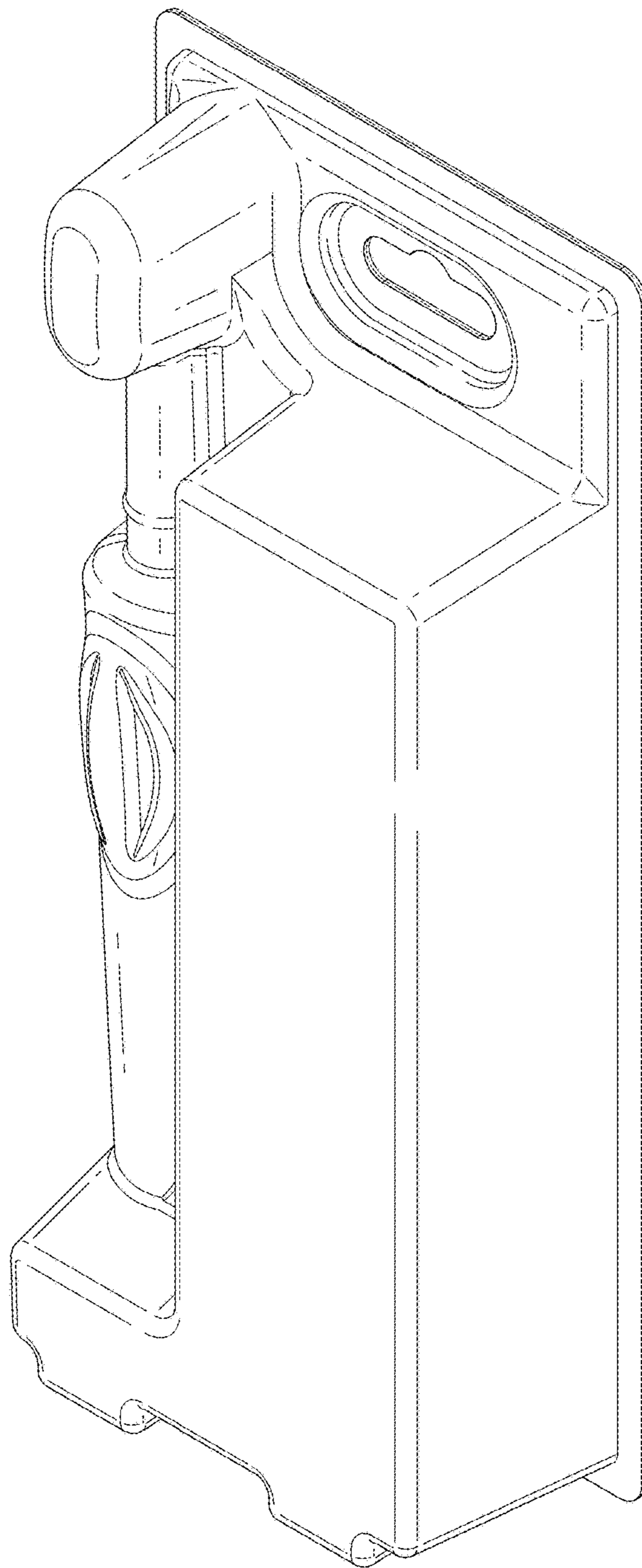


FIG. 36

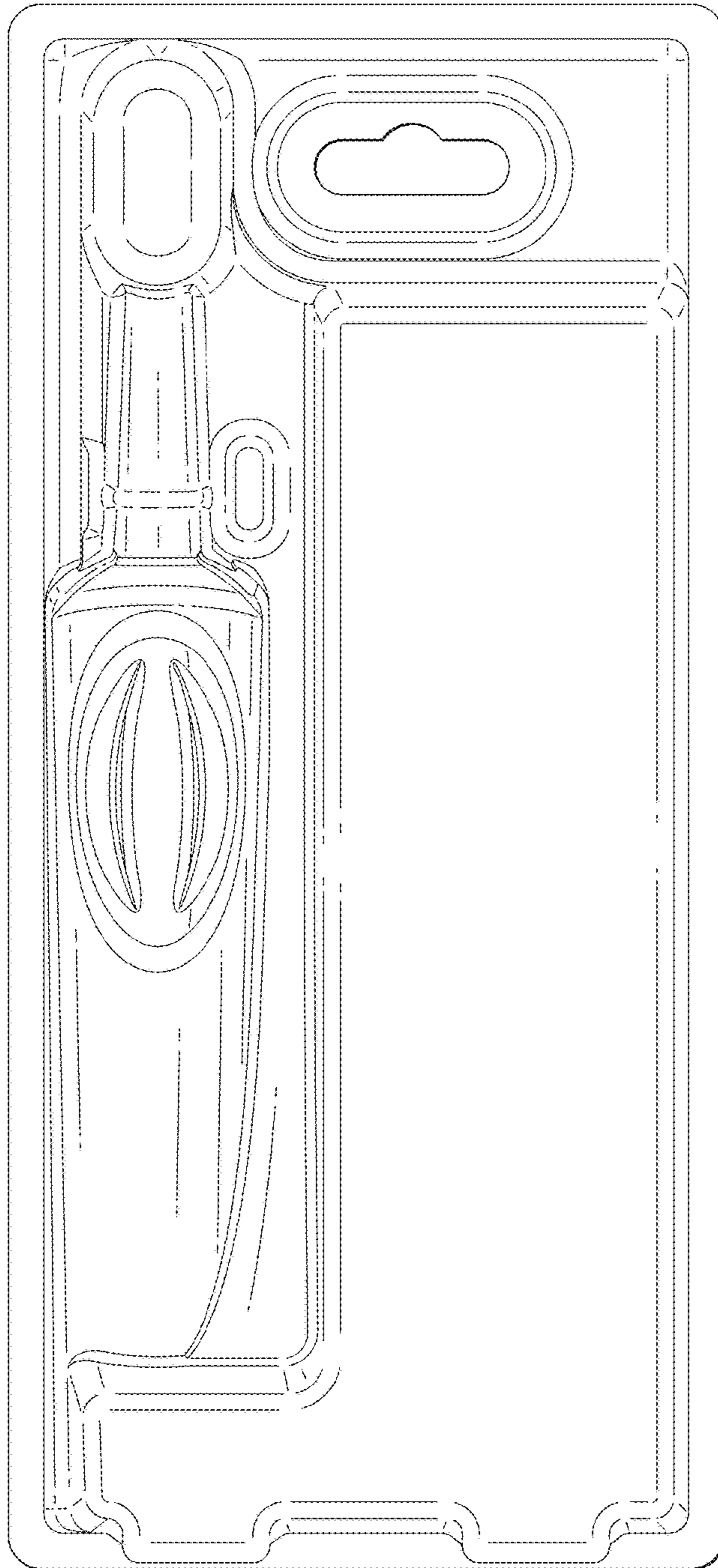


FIG. 37



FIG. 38

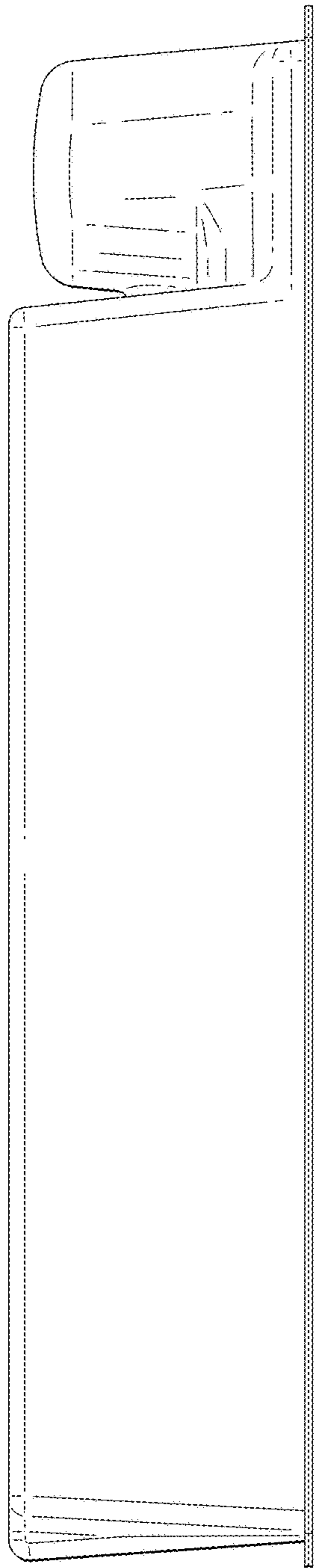


FIG. 39

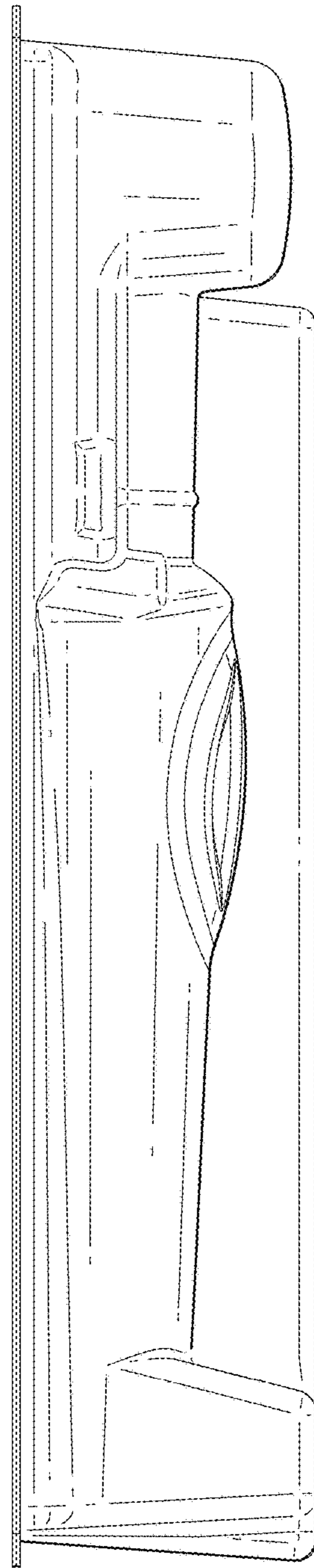


FIG. 40

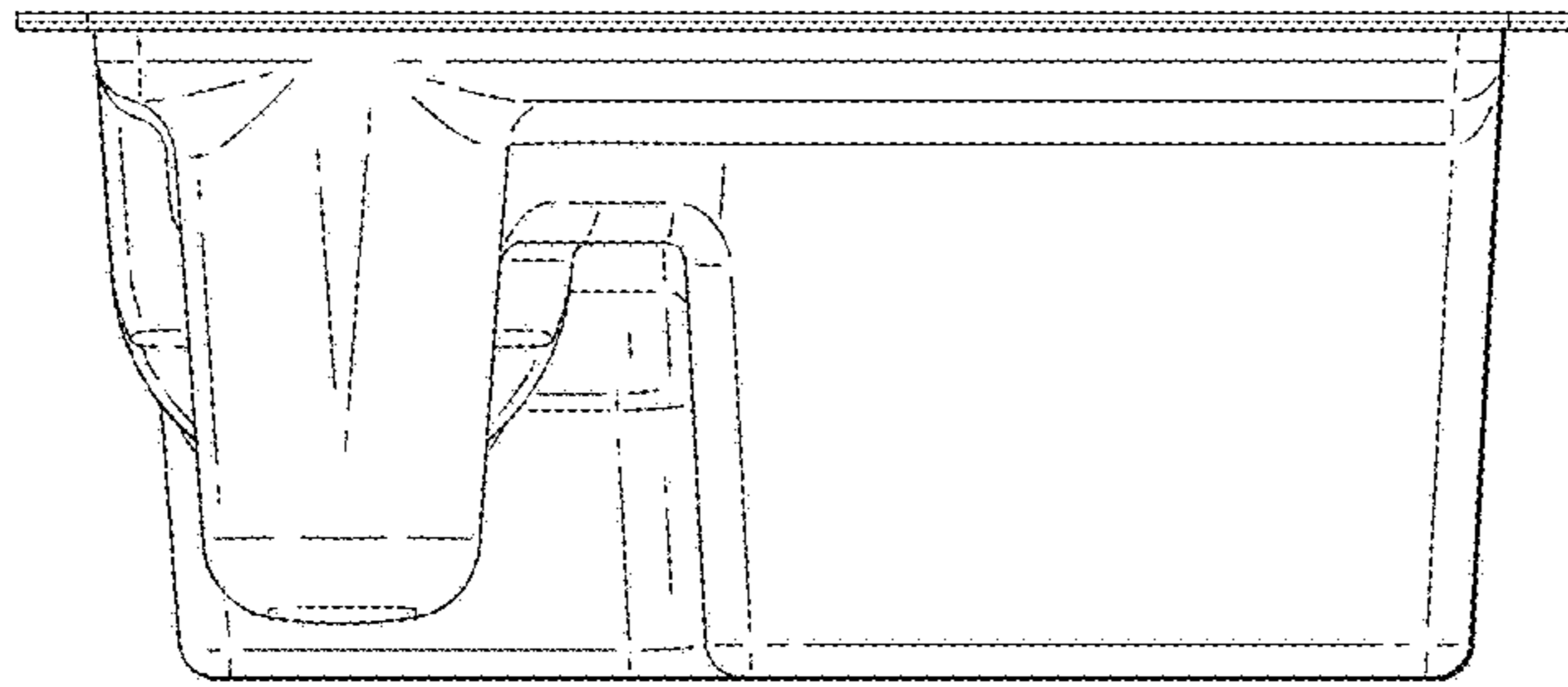


FIG. 41

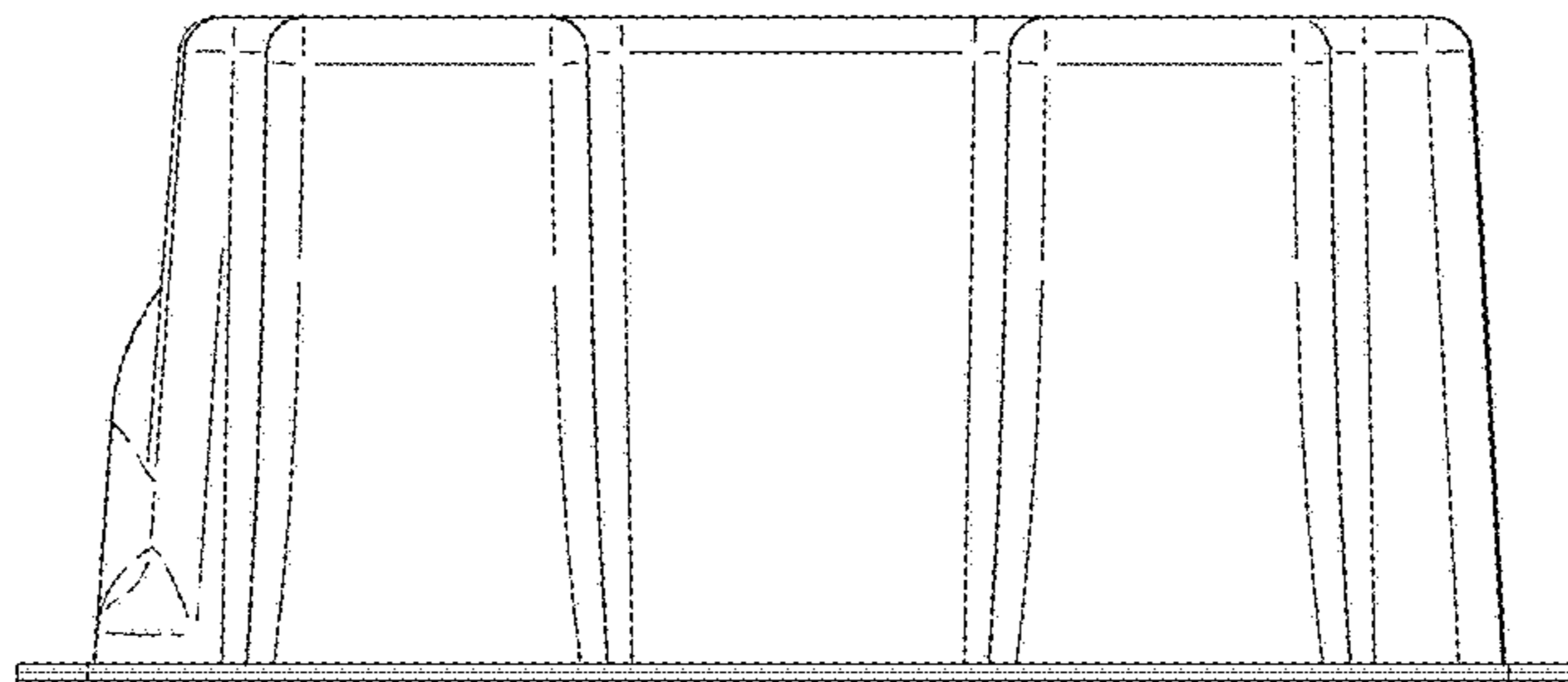


FIG. 42

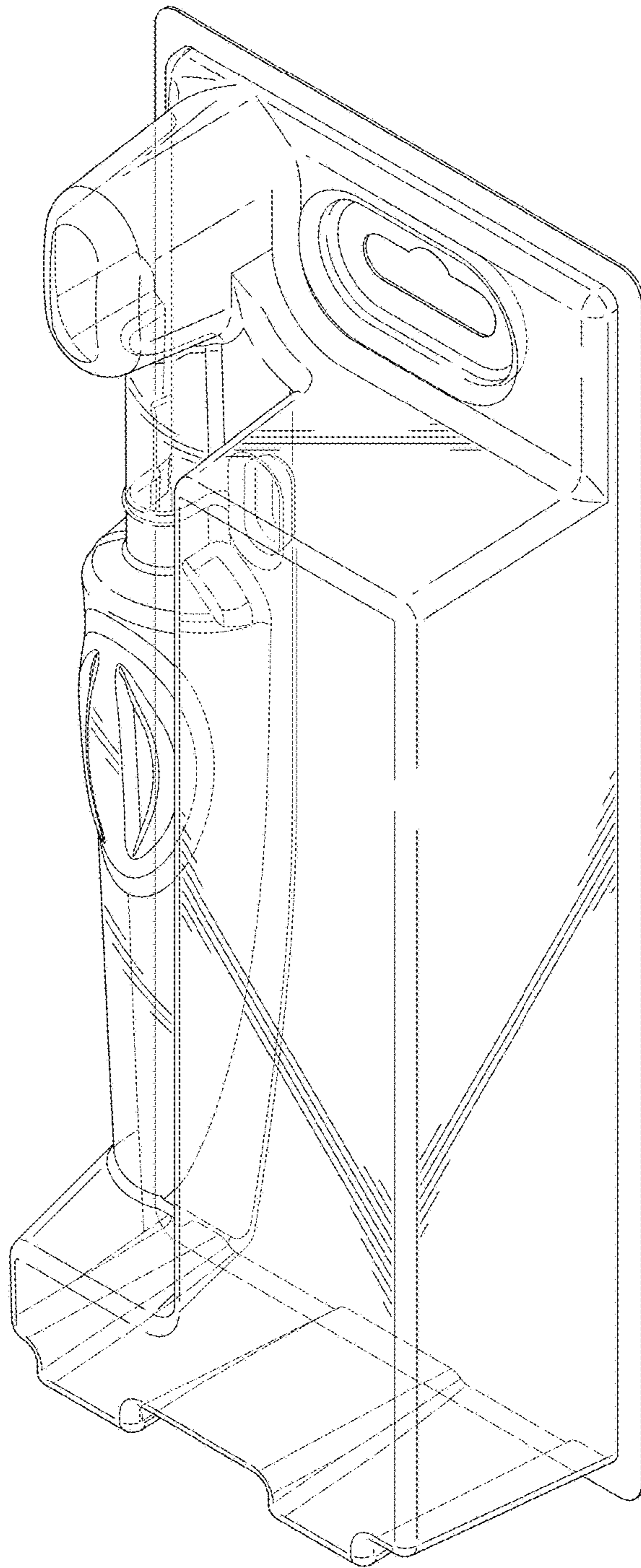


FIG. 43

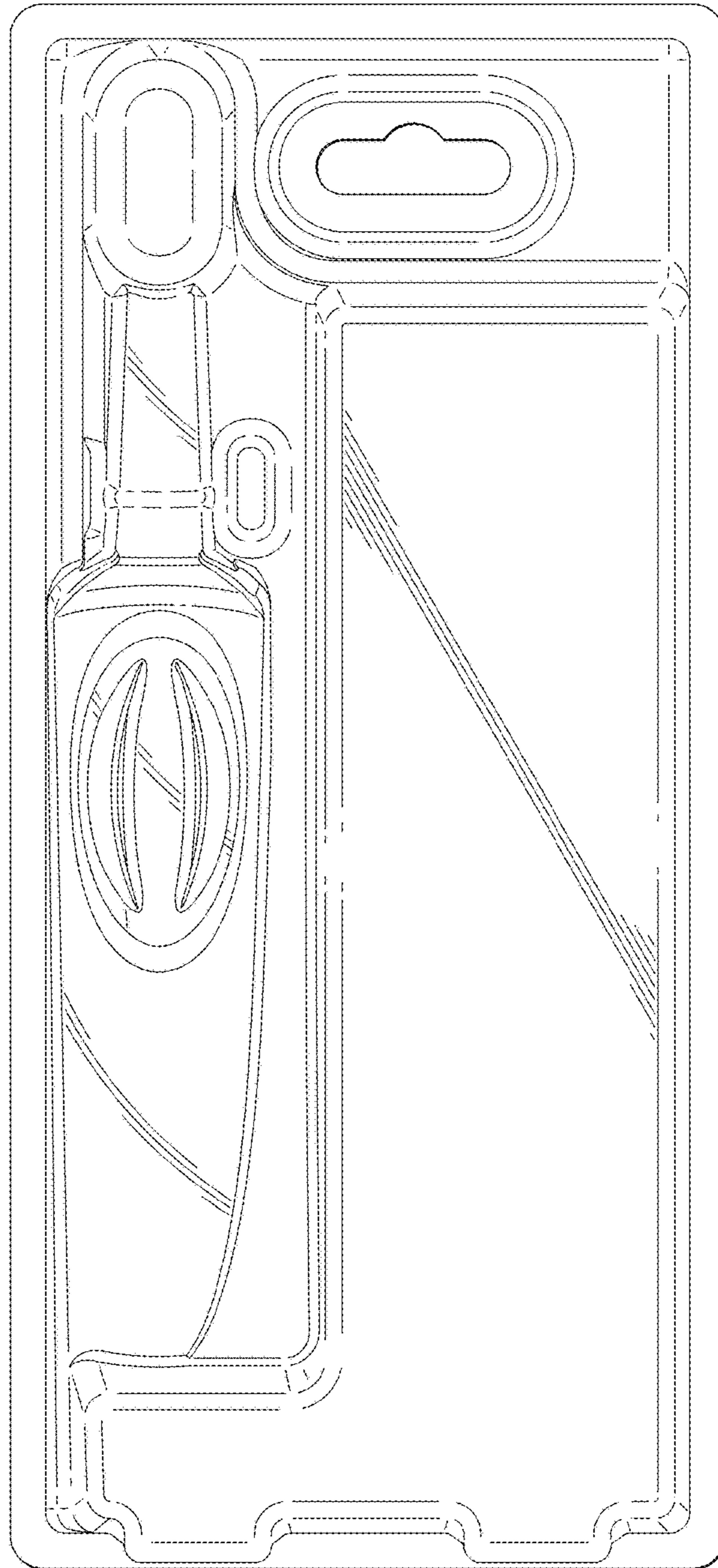


FIG. 44

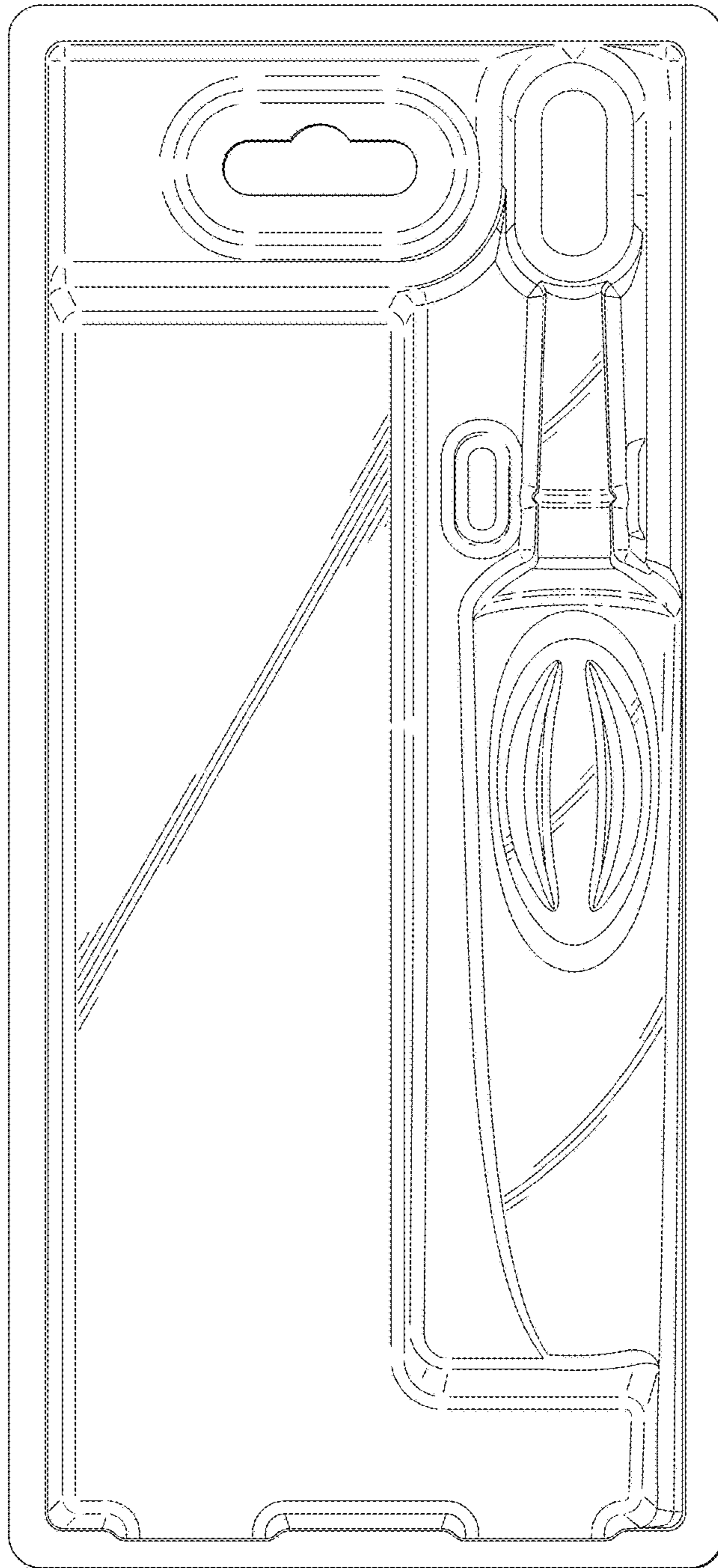


FIG. 45

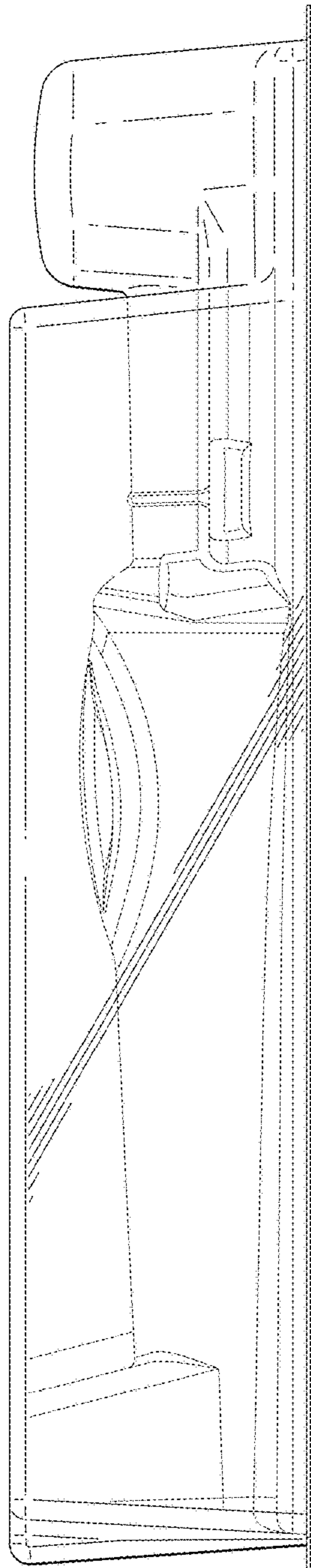


FIG. 46

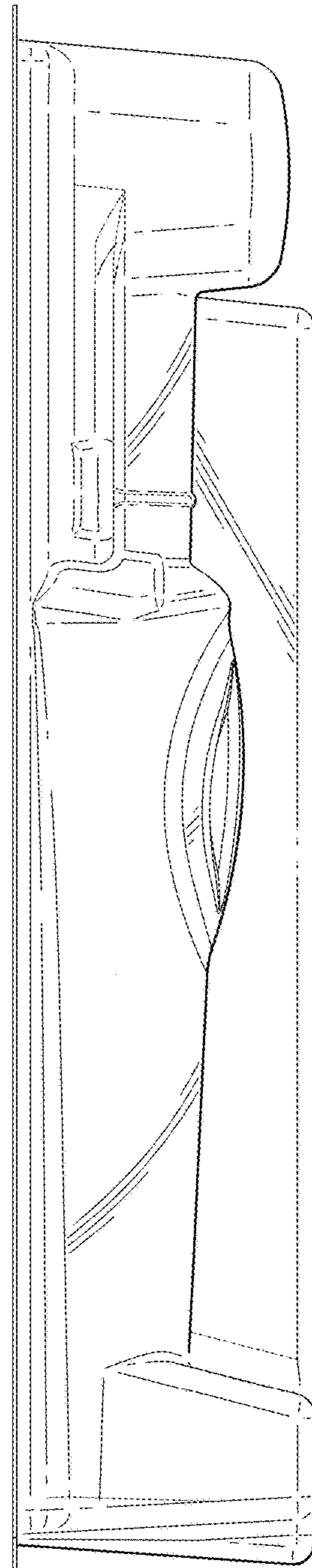


FIG. 47

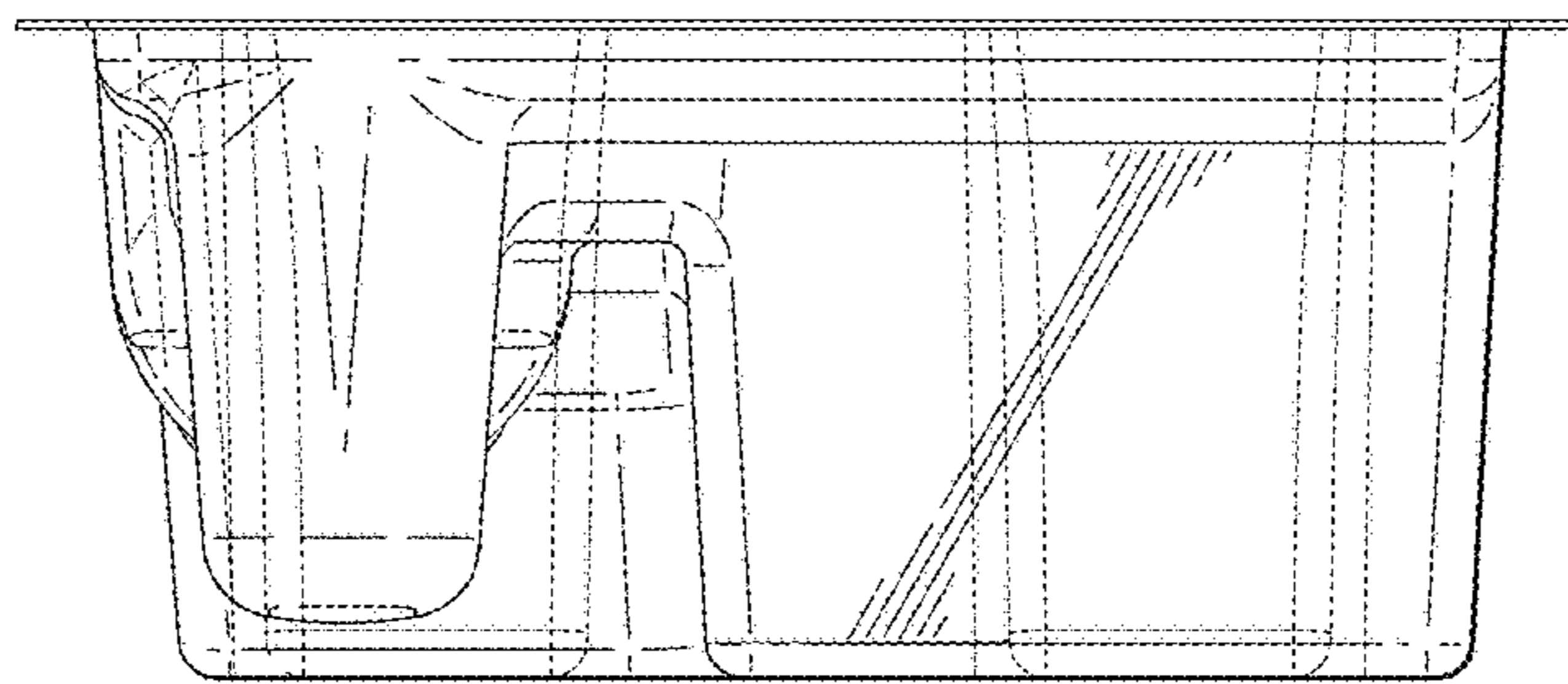


FIG. 48

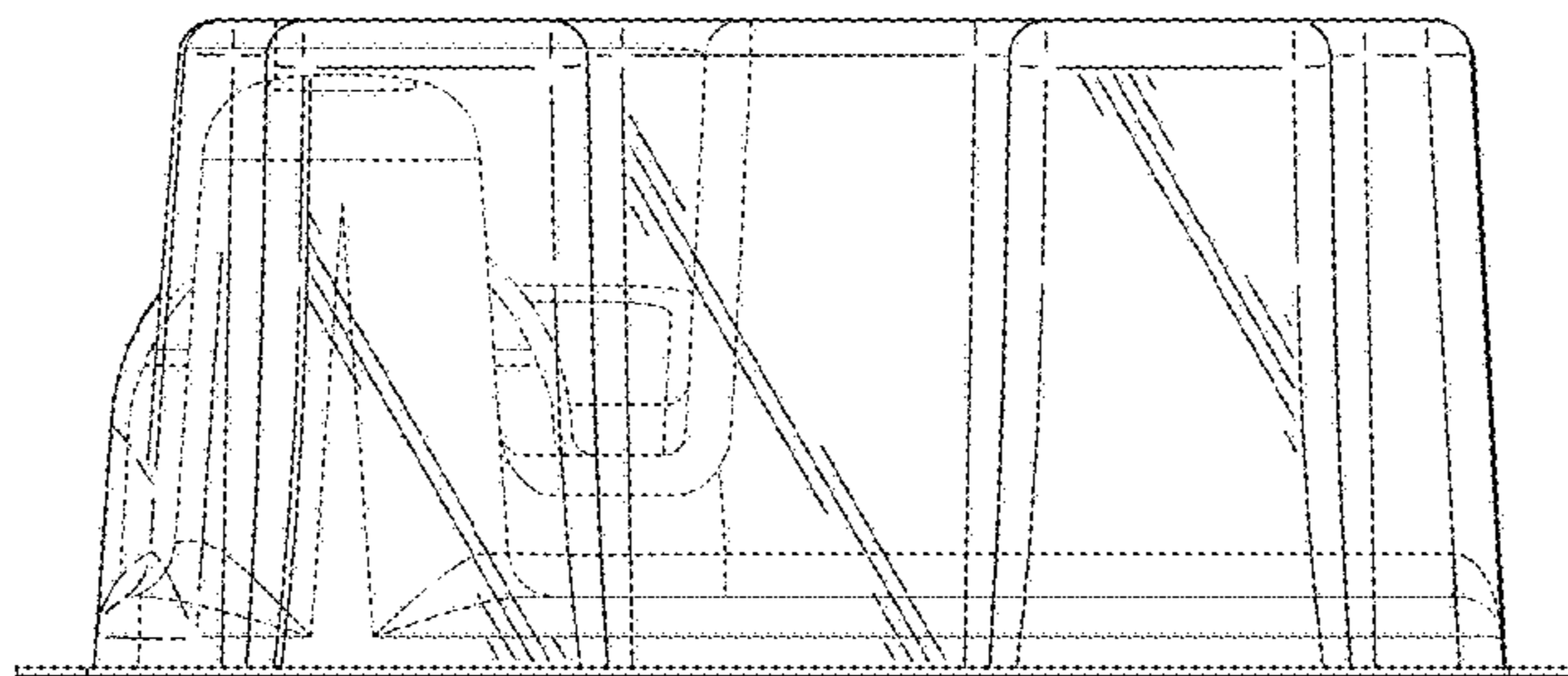


FIG. 49

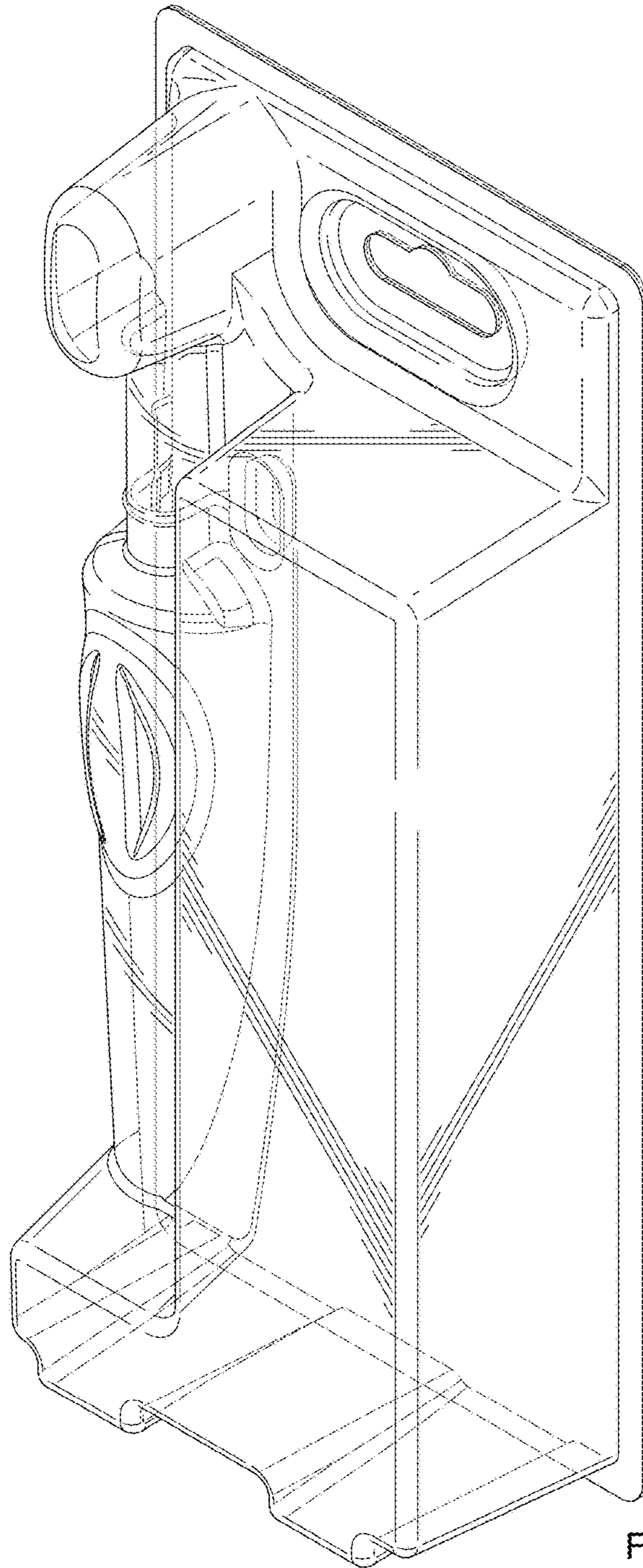


FIG. 50

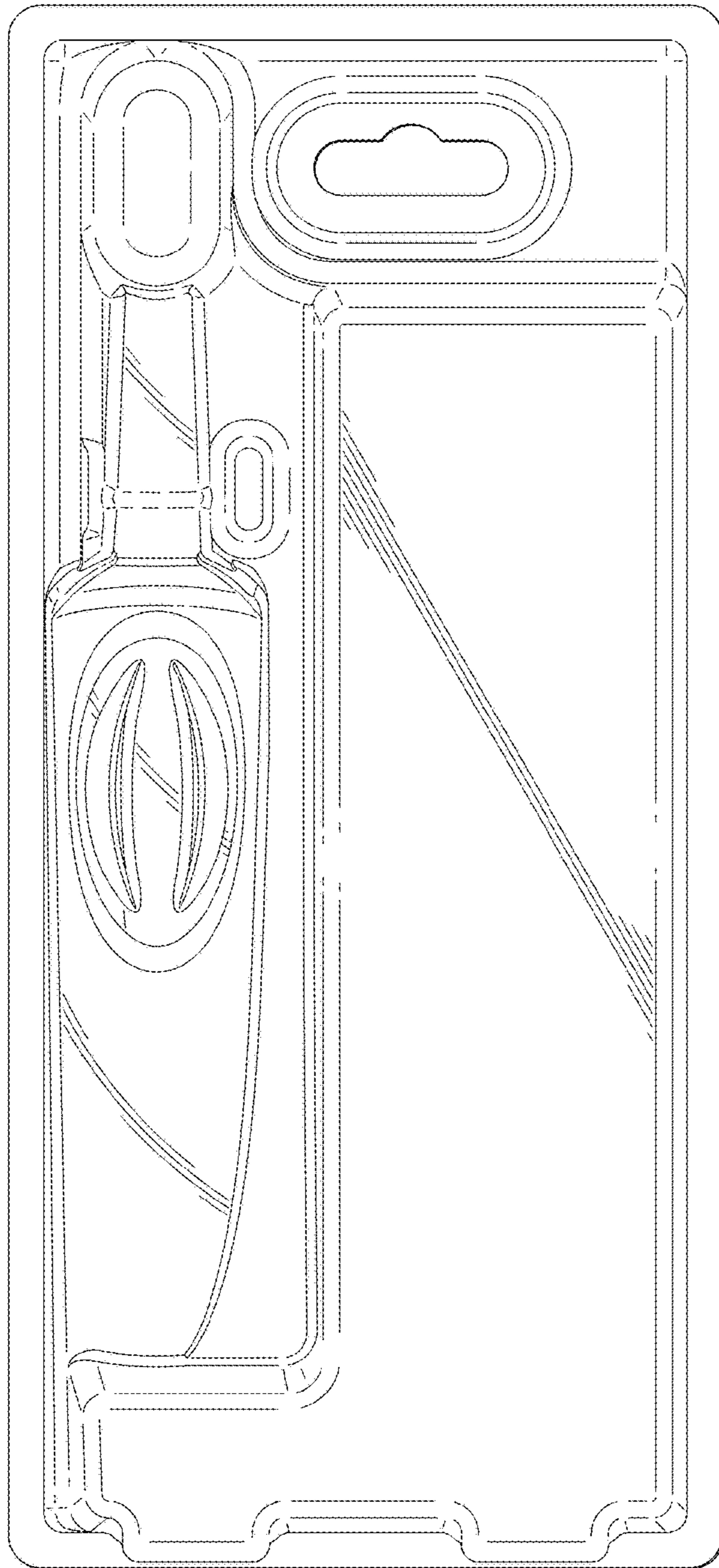


FIG. 51

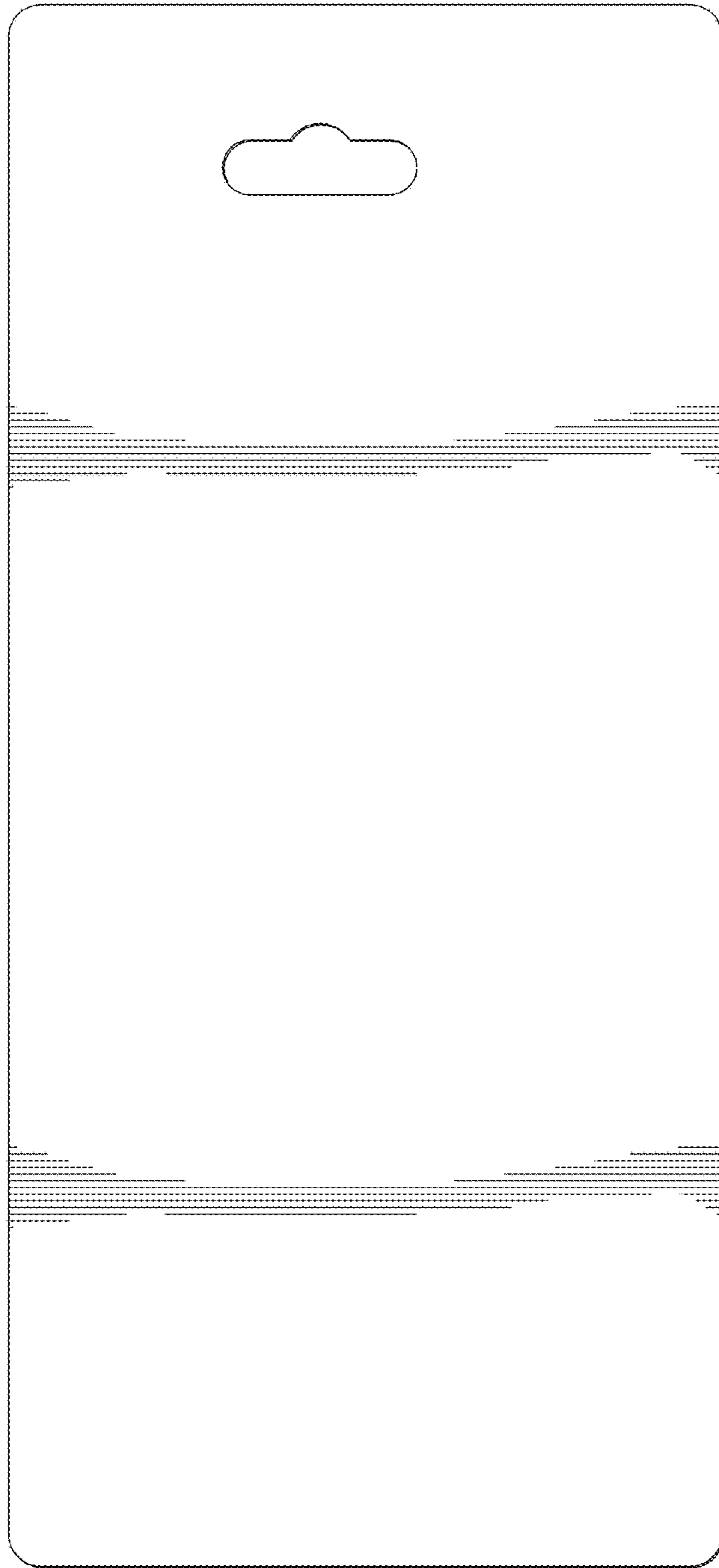


FIG. 52

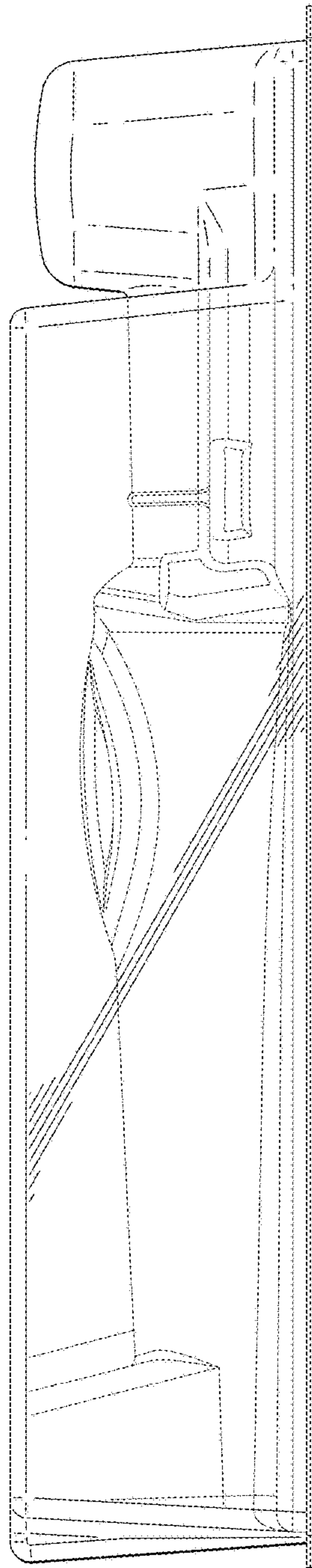


FIG. 53

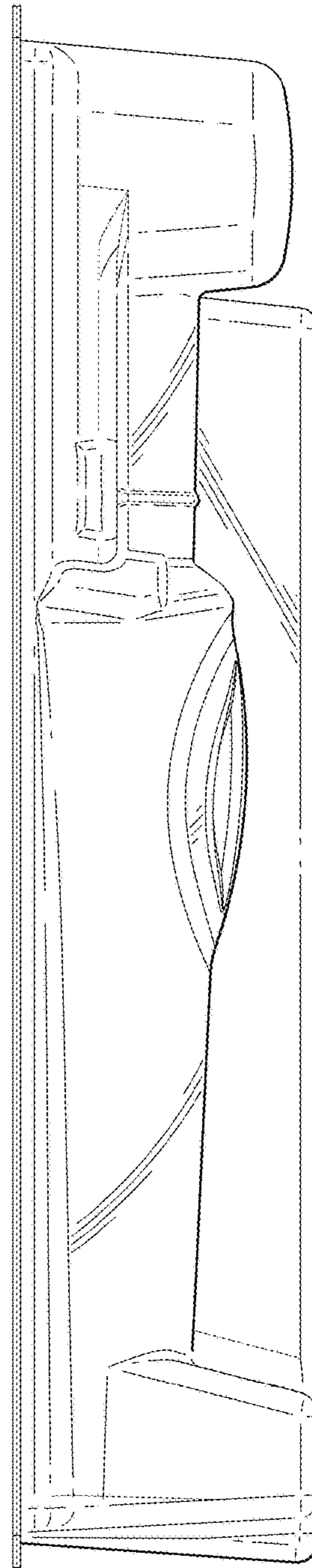


FIG. 54

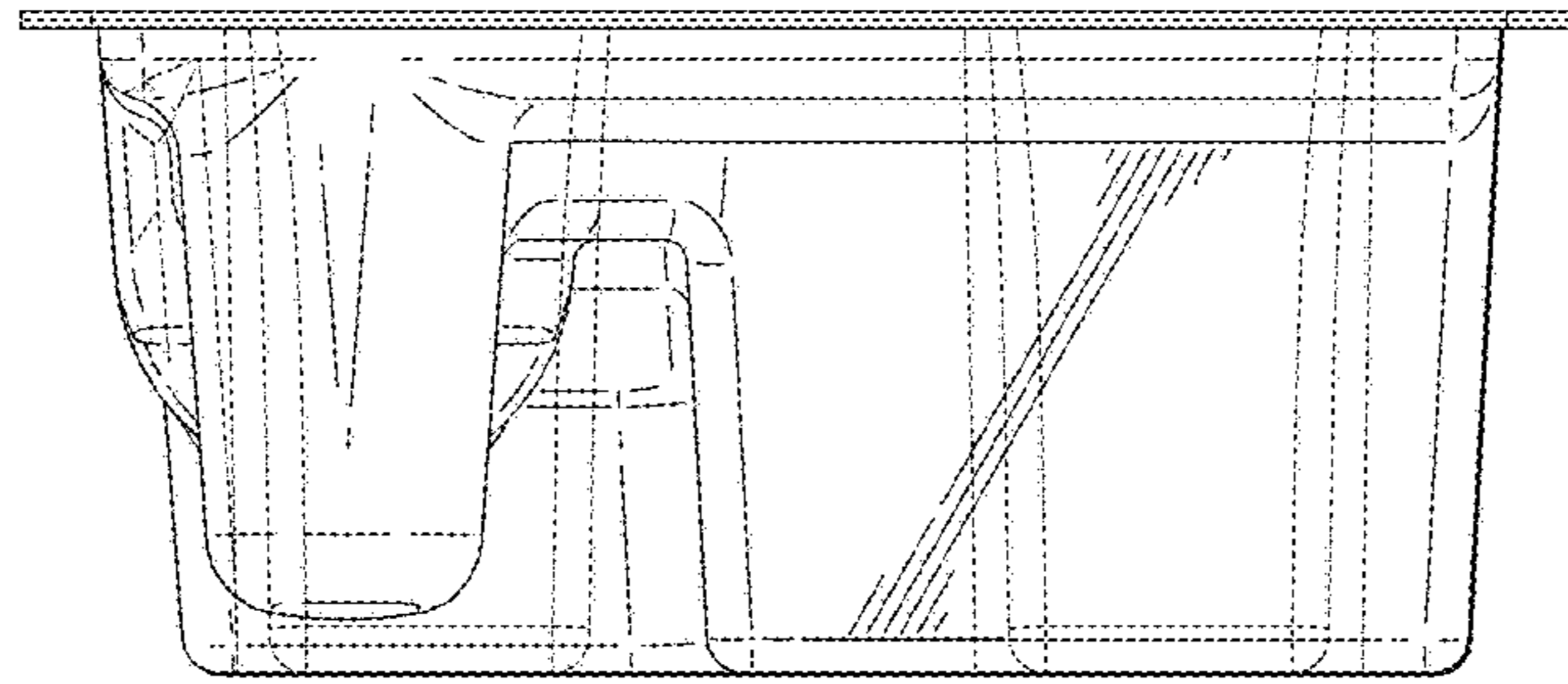


FIG. 55

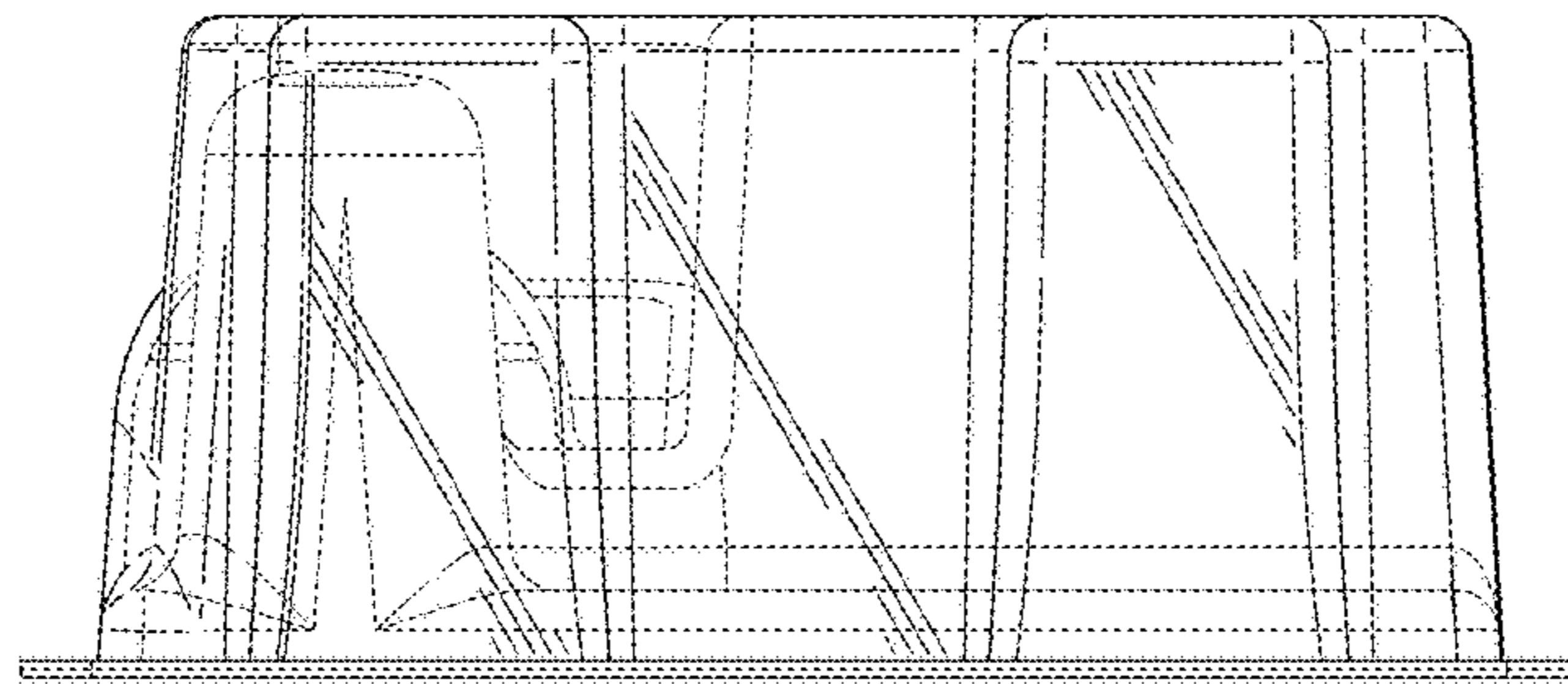


FIG. 56