



US00D855449S

(12) **United States Design Patent**
Smith et al.

(10) **Patent No.:** **US D855,449 S**
(45) **Date of Patent:** **** Aug. 6, 2019**

- (54) **CONTAINER**
- (71) Applicants: **William Thomas Smith**, Fair Oaks, CA (US); **Cheryl Ann Smith**, Fair Oaks, CA (US)
- (72) Inventors: **William Thomas Smith**, Fair Oaks, CA (US); **Cheryl Ann Smith**, Fair Oaks, CA (US)
- (**) Term: **15 Years**
- (21) Appl. No.: **29/623,128**
- (22) Filed: **Oct. 23, 2017**
- (51) **LOC (12) Cl.** **09-03**
- (52) **U.S. Cl.**
USPC **D9/414**
- (58) **Field of Classification Search**
USPC D9/414-416, 418, 428, 516, 517, D9/737-739; D27/102, 109, 110, 172, D27/175, 186; 312/31.1
CPC A24F 21/00; A24F 19/00; A24F 19/007; A47F 1/00; A47F 1/04; A47F 1/06; A47F 3/00; A47F 3/02; A47F 3/14; A47F 3/001; A47F 3/145; B65D 23/00; B65D 23/001; B65D 23/08; B65D 50/00; B65D 5/52; B65D 5/5253
See application file for complete search history.

- (56) **References Cited**
U.S. PATENT DOCUMENTS
- 1,597,548 A * 8/1926 Sharp A47F 3/145 211/74
- 1,628,108 A * 5/1927 Brown A47F 3/145 215/245
- 1,628,330 A * 5/1927 Peck A47F 3/145 215/237
- 1,646,702 A * 10/1927 Moyer A47F 3/145 215/227

- 1,743,520 A * 1/1930 Baron A47F 3/145 215/235
- 1,883,806 A * 10/1932 Martin B65D 1/10 215/370
- 3,847,305 A * 11/1974 Tobin A47F 3/145 222/166
- 3,853,263 A * 12/1974 Otsuka A24F 19/00 131/242
- 5,794,771 A * 8/1998 Krawec A24F 23/00 206/223
- 6,132,123 A * 10/2000 Gueret B65D 23/001 401/129
- D482,493 S * 11/2003 Lillelund D28/73
- D500,640 S * 1/2005 Lawson D7/612
- D540,068 S * 4/2007 Zhang D6/672
- D628,020 S * 11/2010 Lim D7/629
- D682,045 S * 5/2013 Myoung D7/629
- D786,668 S * 5/2017 Cornaglia D9/418
- D827,923 S * 9/2018 Whetsel D27/194
- 2013/0306516 A1 * 11/2013 Dougherty A47F 3/14 206/736

(Continued)

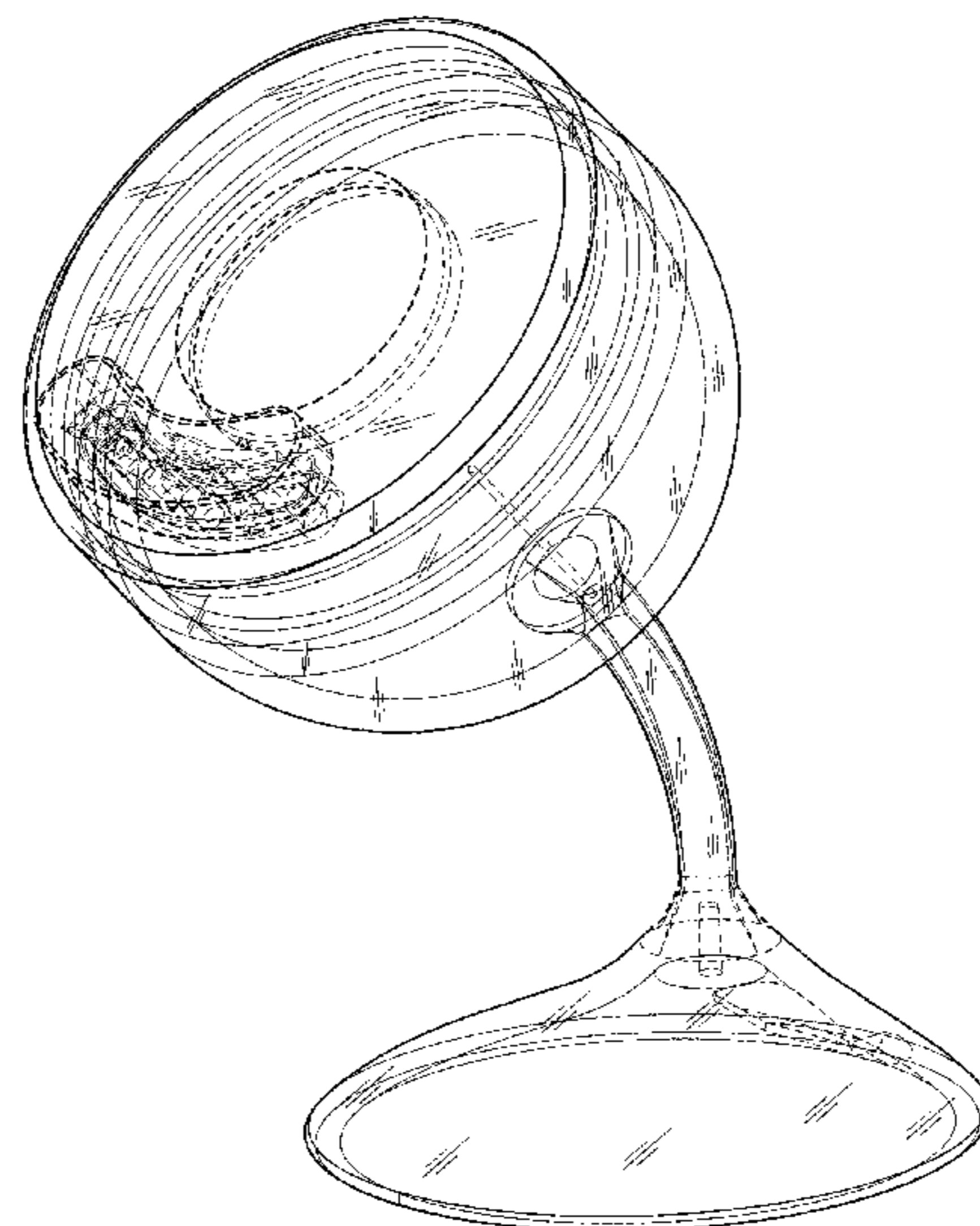
Primary Examiner — Wan Laymon
Assistant Examiner — Clint A Samuel
(74) *Attorney, Agent, or Firm* — Ballard Spahr LLP

(57) **CLAIM**
The ornamental design for a container, as shown and described.

DESCRIPTION

FIG. 1 is a perspective view of a container showing my new design.
FIG. 2 is top view thereof;
FIG. 3 is bottom view;
FIG. 4 is a side elevation view;
FIG. 5 is a side elevation view;
FIG. 6 is a front view; and,
FIG. 7 is a rear view.
The broken lines depict portions of the container that form no part of the claimed design.

1 Claim, 7 Drawing Sheets



(56)

References Cited

U.S. PATENT DOCUMENTS

2018/0134447 A1* 5/2018 Zimmer B65D 21/0231
2018/0160828 A1* 6/2018 Turner B65D 23/00
2018/0282011 A1* 10/2018 Evans B65D 1/0223

* cited by examiner

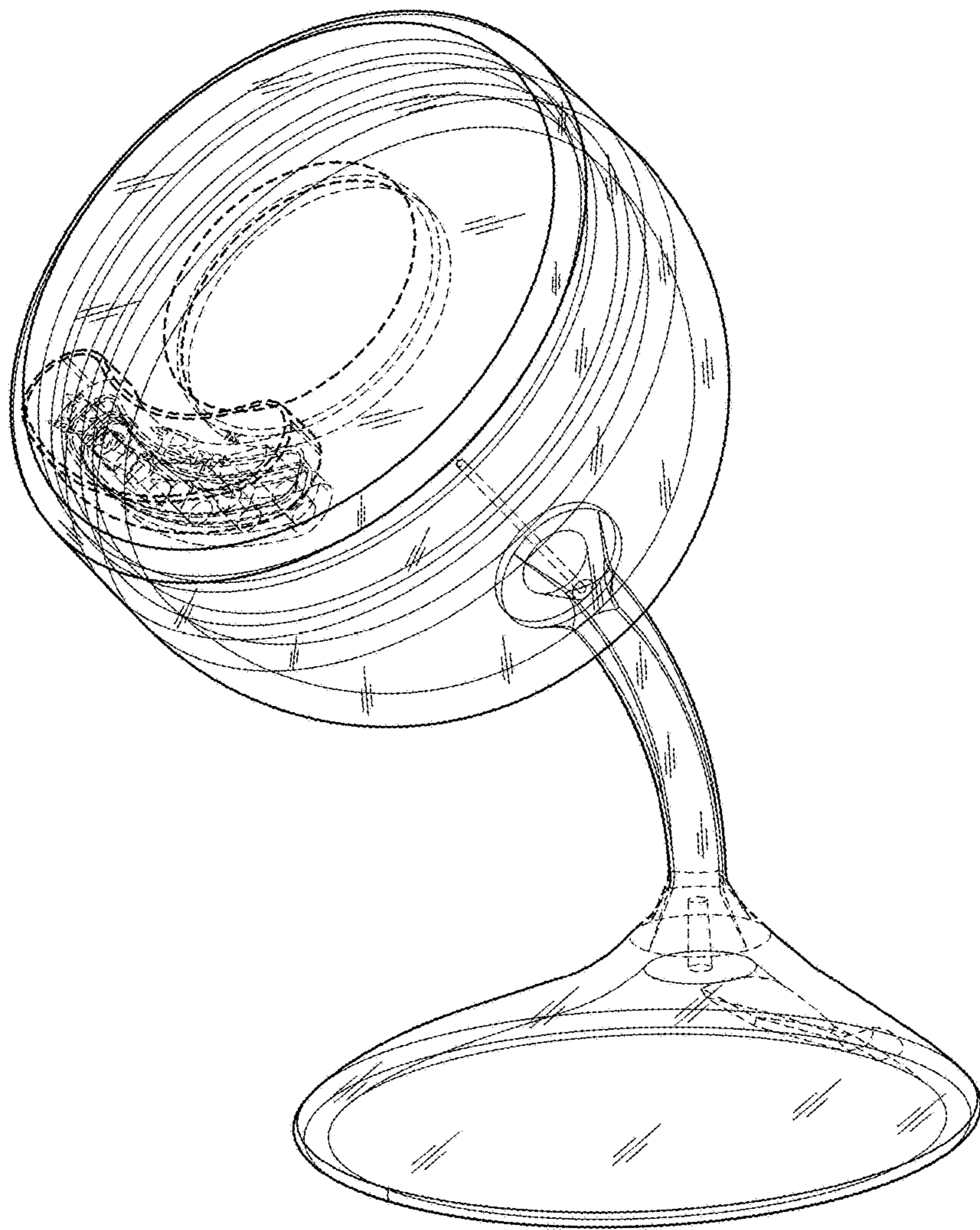


Fig. 1

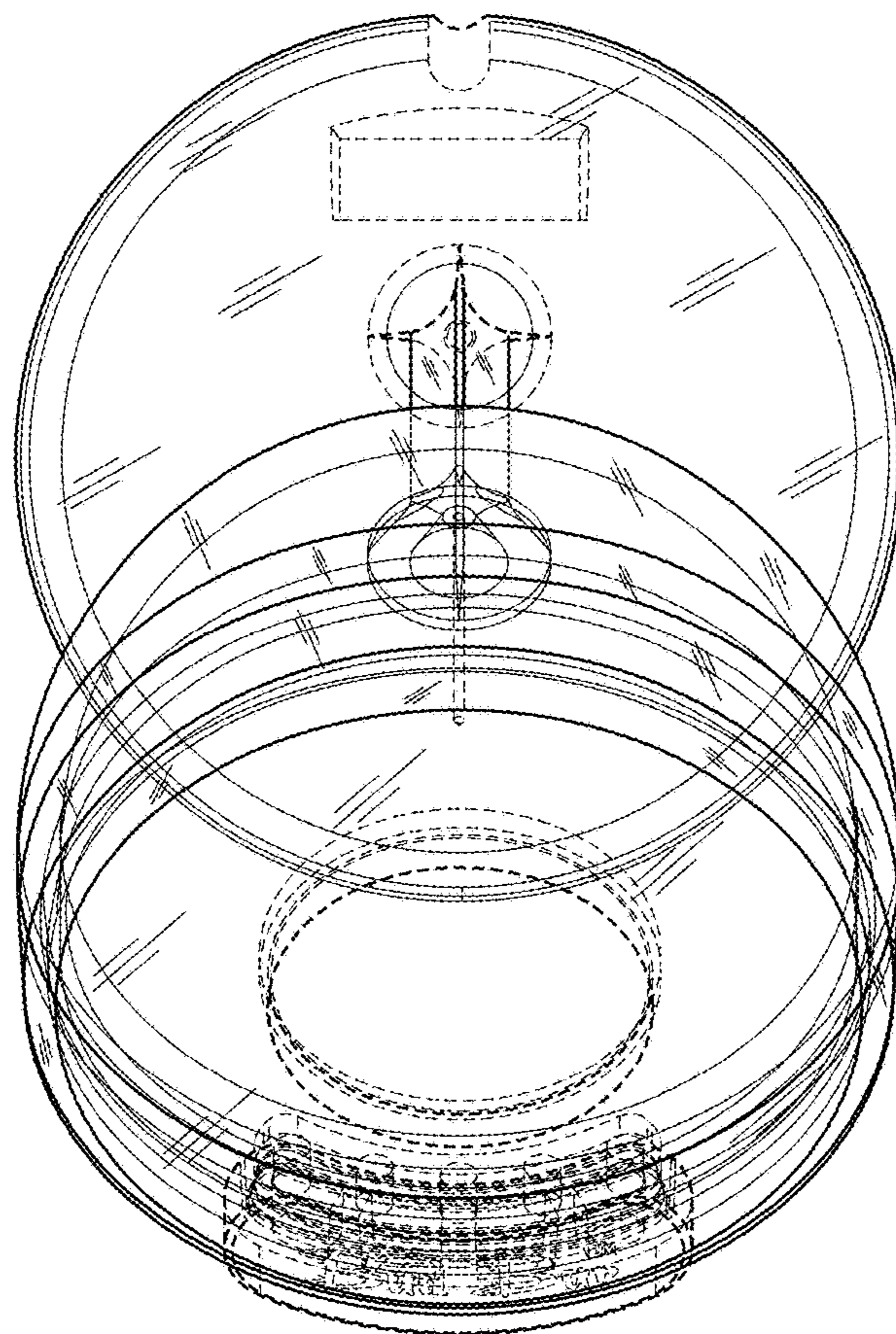


Fig. 2

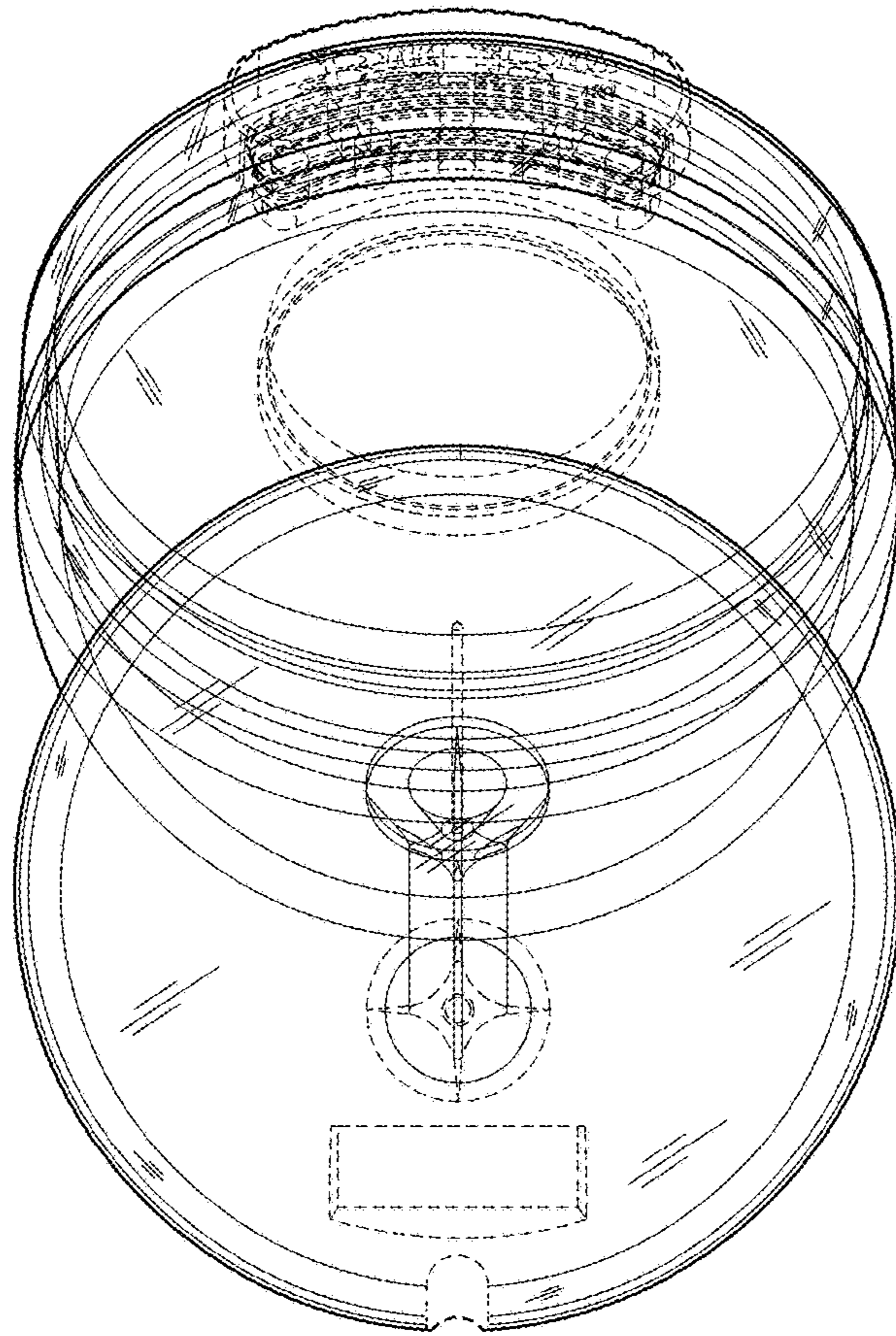


Fig. 3

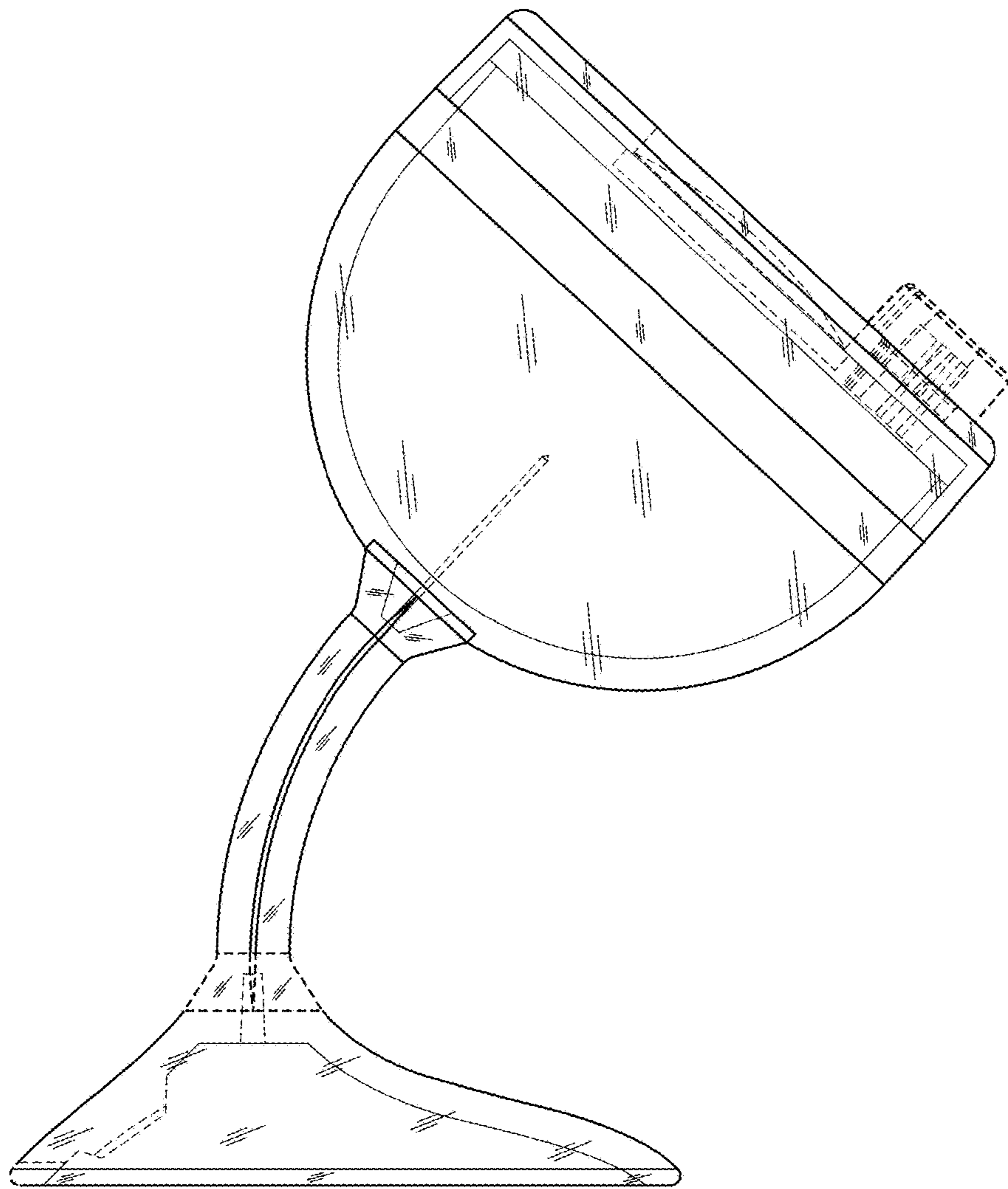


Fig. 4

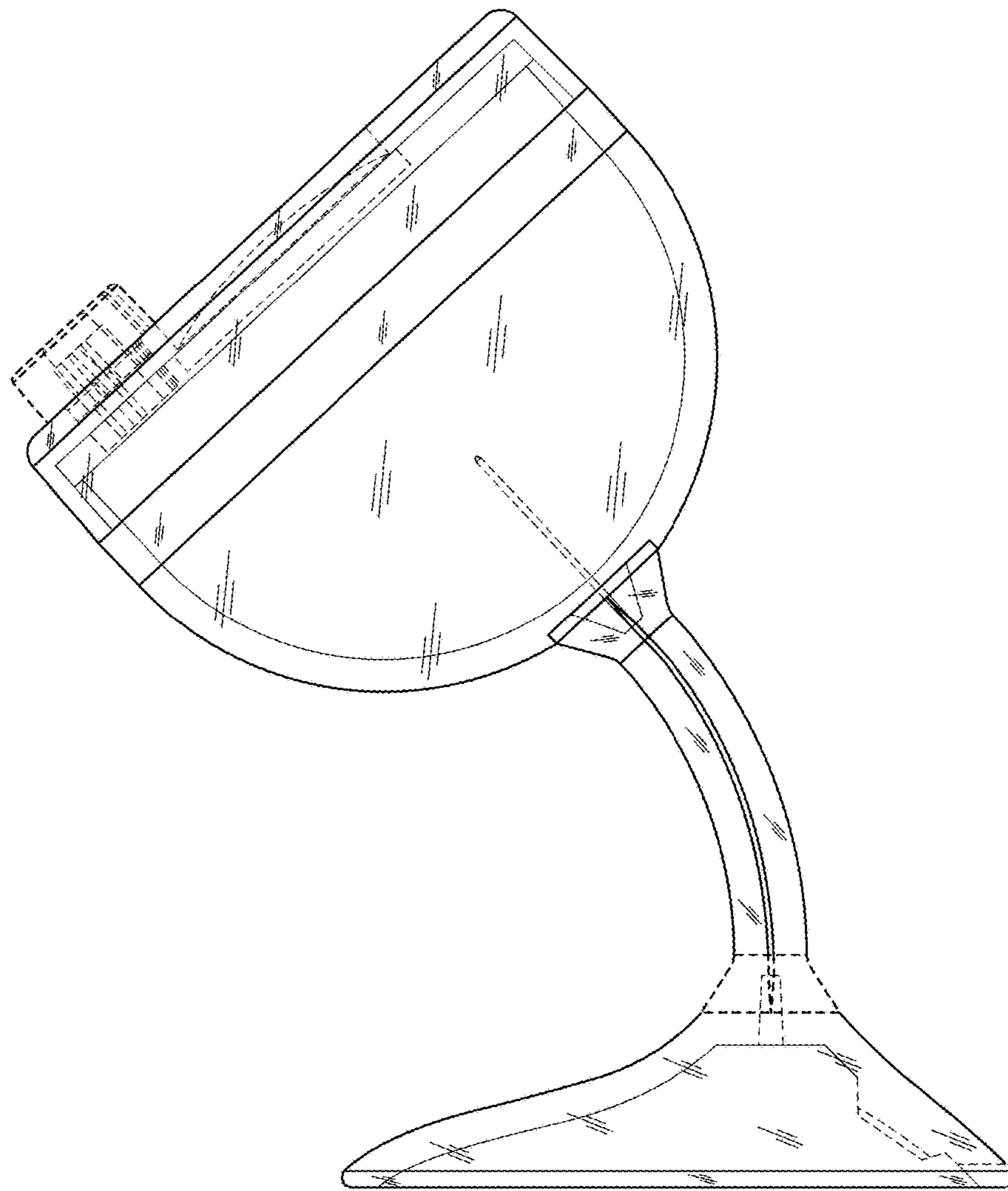


Fig. 5

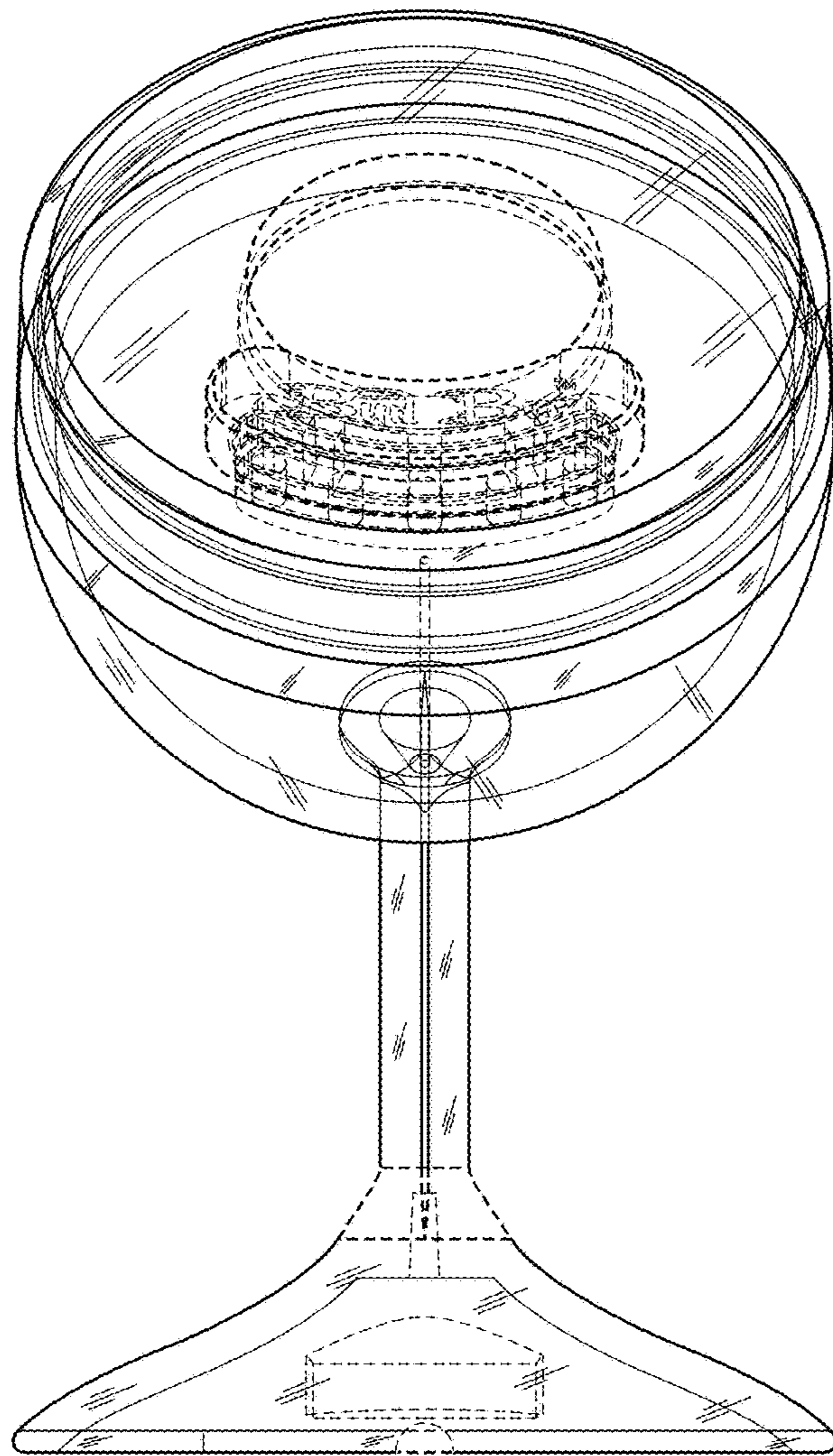


Fig. 6

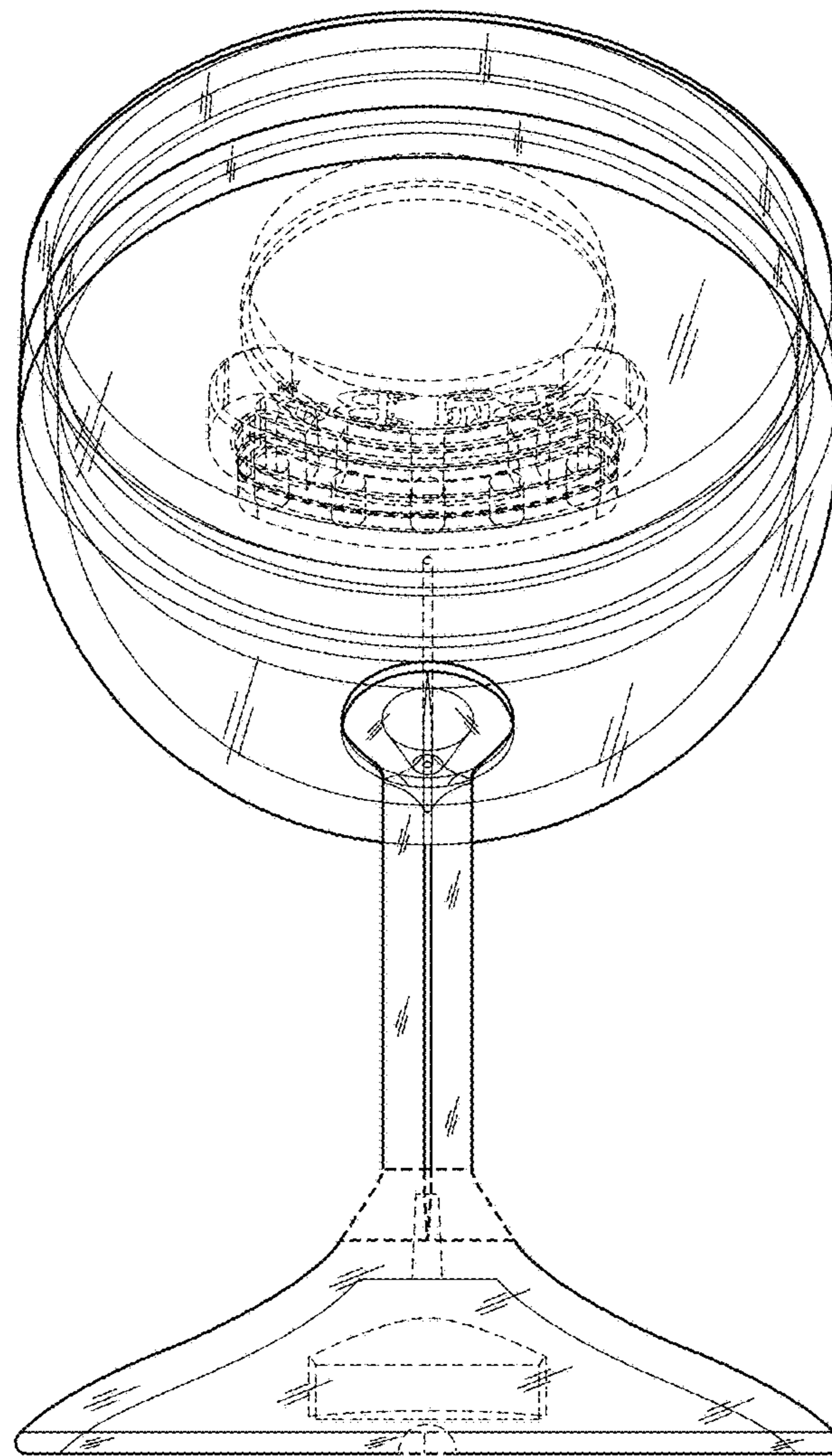


Fig. 7