



US00D855448S

(12) **United States Design Patent**
Hu

(10) **Patent No.:** **US D855,448 S**

(45) **Date of Patent:** **** Aug. 6, 2019**

- (54) **RELEASING HEAD OF GAS SPRING**
- (71) Applicant: **Yajun Hu**, El Dorado Hills, CA (US)
- (72) Inventor: **Yajun Hu**, El Dorado Hills, CA (US)
- (73) Assignees: **Yajun Hu**, El Dorado Hills, CA (US);
EUREKA LLC., El Dorado Hills, CA (US)
- (**) Term: **15 Years**
- (21) Appl. No.: **29/606,652**
- (22) Filed: **Jun. 6, 2017**
- (51) **LOC (12) Cl.** **08-08**
- (52) **U.S. Cl.**
USPC **D8/395; D8/330**
- (58) **Field of Classification Search**
USPC D8/330, 336, 339, 342, 343, 376, 377,
D8/382, 395, 400, 402, 499; D12/223
CPC Y10T 74/1545; Y10T 74/155; Y10T
74/1552; Y10T 74/1565; Y10T 74/20606;
Y10T 74/20582; Y10T 16/53615; Y10T
16/53613; Y10T 16/5357; Y10T
403/32122; Y10T 403/32221; F16F 9/02;
F16F 9/0281
See application file for complete search history.

(56) **References Cited**
U.S. PATENT DOCUMENTS

D229,479 S *	12/1973	Borsani et al.	D8/336
4,091,488 A *	5/1978	Artzberger	B65G 69/2841 14/71.7
D293,877 S *	1/1988	Fadini	D8/330
D295,718 S *	5/1988	Peterson	D8/330
4,916,968 A *	4/1990	Kabaya	A47B 9/10 16/257
4,973,097 A *	11/1990	Hosan	E05F 1/1091 16/278
D319,386 S *	8/1991	Shigehiro	D8/402

6,086,059 A *	7/2000	Runesson	F16F 7/123 188/300
D458,118 S *	6/2002	Pfister	D8/400
D459,983 S *	7/2002	Hayakawa	D8/402
D468,252 S *	1/2003	Morris	D12/223
6,533,084 B2 *	3/2003	Ma	F16F 9/0227 188/320
7,134,156 B2 *	11/2006	Mossbeck	A61G 7/015 5/618
D617,180 S *	6/2010	VanElverdinghe	D8/382
D617,633 S *	6/2010	VanElverdinghe	D8/382
D665,244 S *	8/2012	Weinerman	D8/330
D673,886 S	1/2013	Leonard		
D673,887 S	1/2013	Leonard		
D674,325 S	1/2013	Leonard		
D750,952 S *	3/2016	Herzog	D8/330
D784,862 S	4/2017	Leonard		
D834,463 S *	11/2018	Brunkhurst	D12/159

* cited by examiner

Primary Examiner — John Windmuller

Assistant Examiner — Steven J Czyz

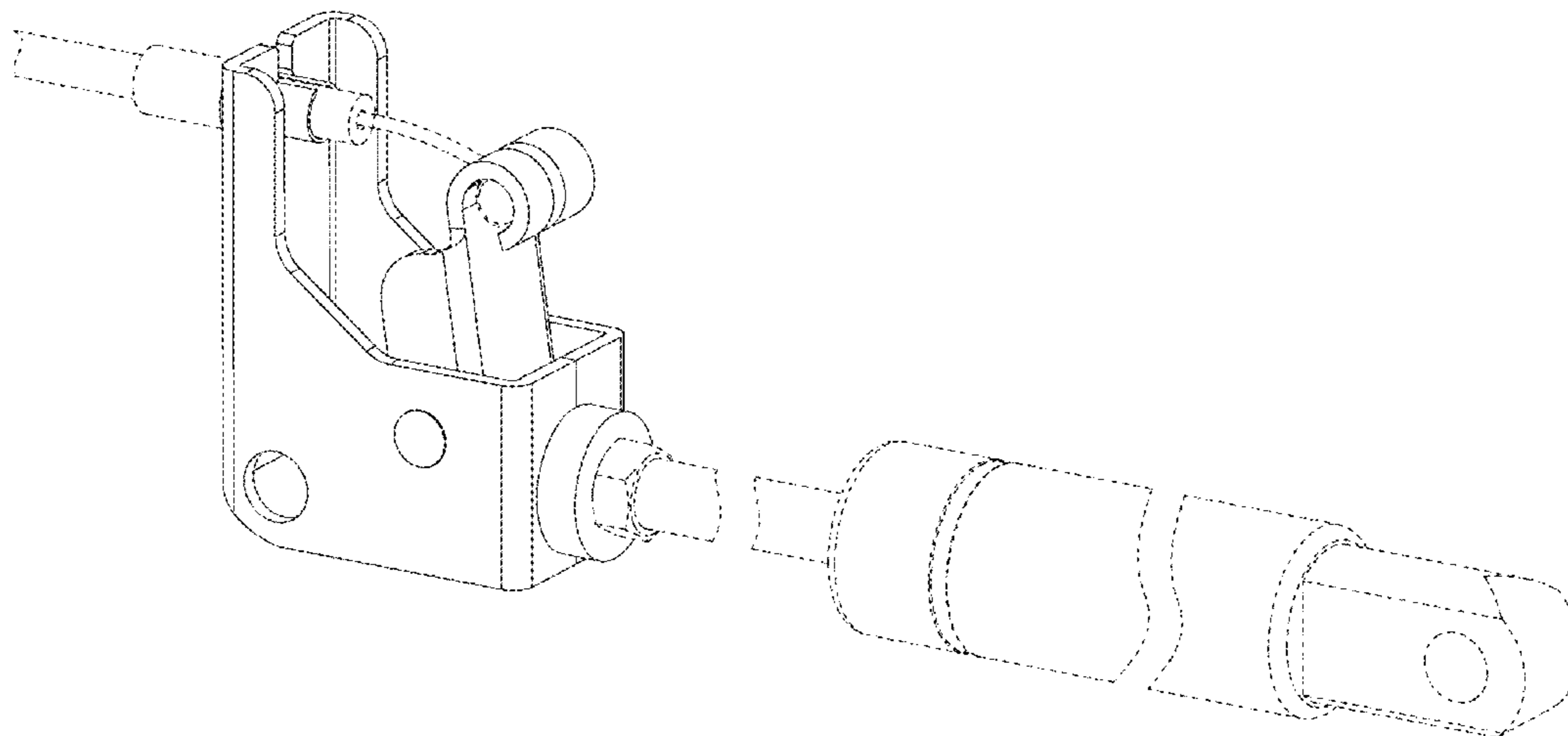
(57) **CLAIM**

The ornamental design for a releasing head of gas spring, as shown and described.

DESCRIPTION

FIG. 1 is a perspective view 1 of a releasing head of gas spring;
 FIG. 2 is a perspective view 2 thereof;
 FIG. 3 is a perspective view 3 thereof;
 FIG. 4 is a front view thereof;
 FIG. 5 is a bottom view thereof;
 FIG. 6 is a top view thereof;
 FIG. 7 is a rear side view thereof;
 FIG. 8 is a left side view thereof; and,
 FIG. 9 is a right side view thereof.
 The broken lines depict portions of the article that form no part of the claimed design.

1 Claim, 9 Drawing Sheets



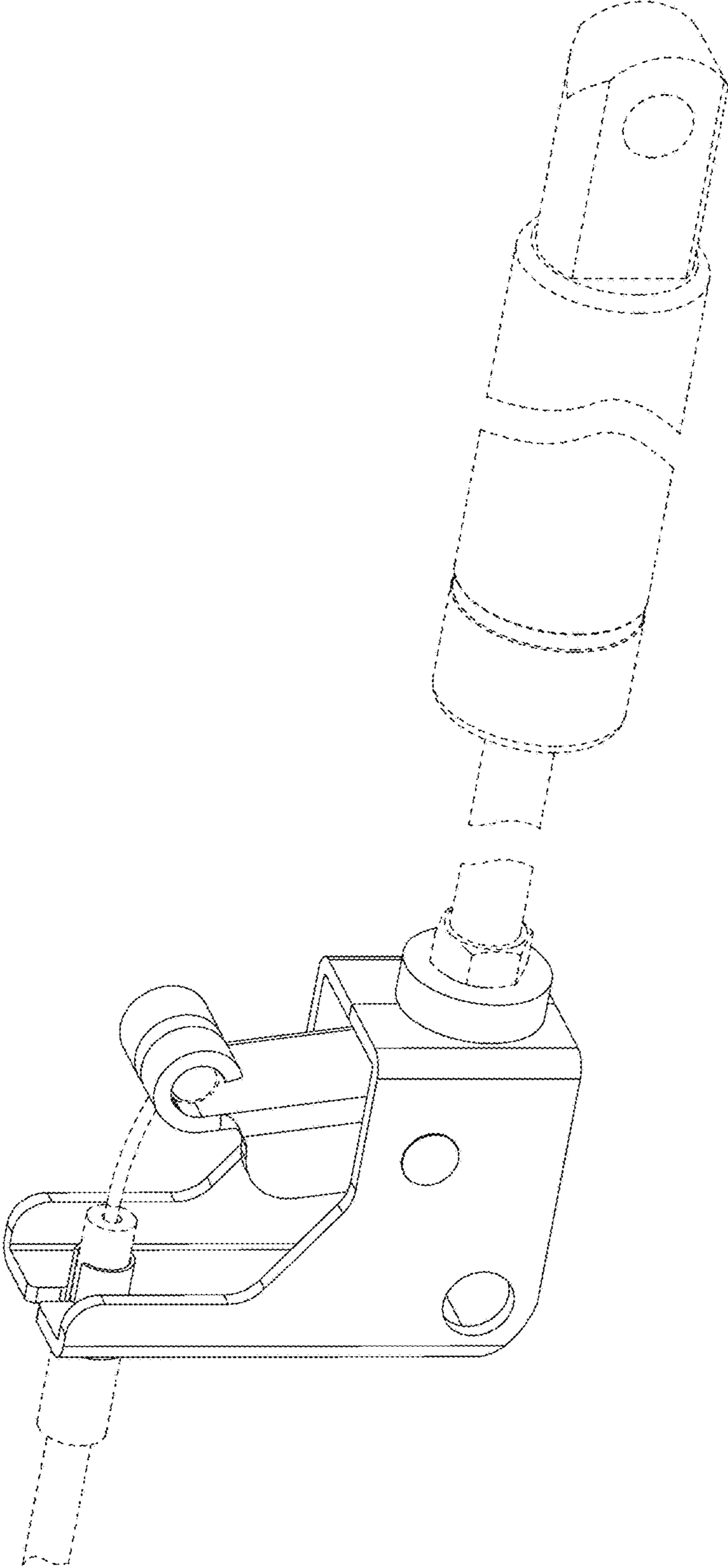


FIG. 1

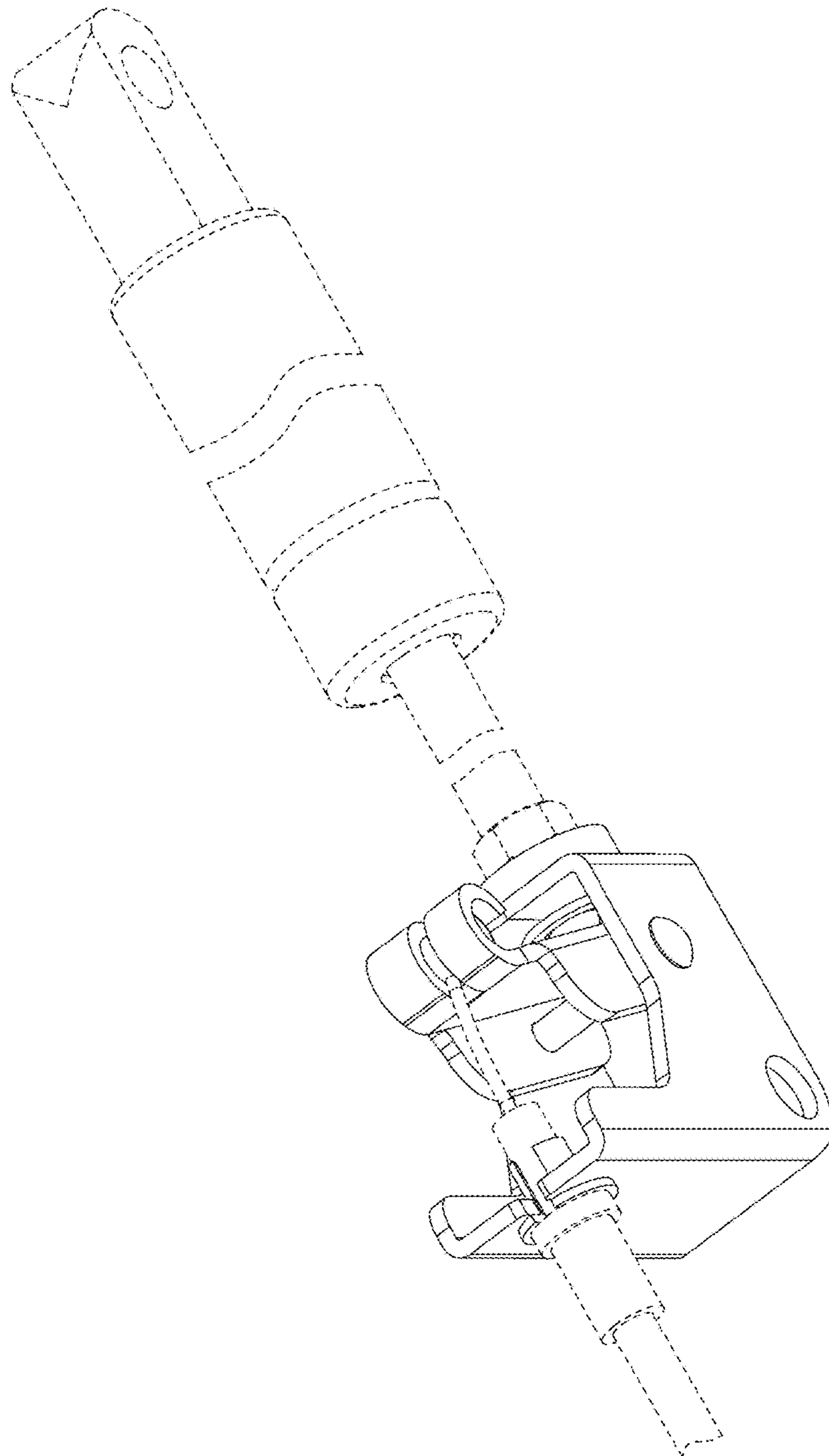


FIG. 2

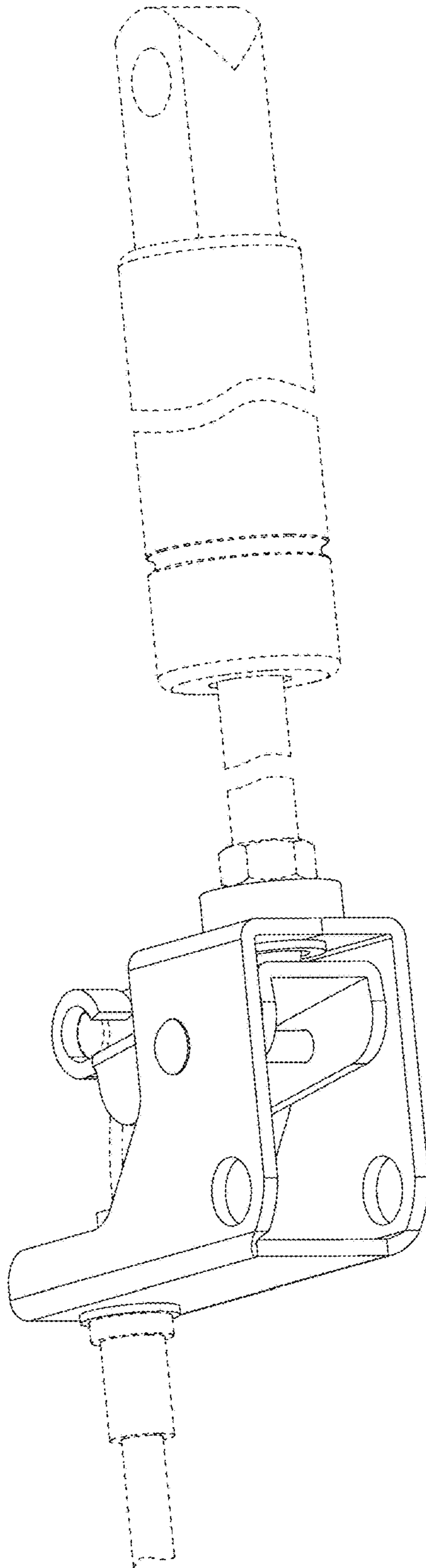


FIG. 3

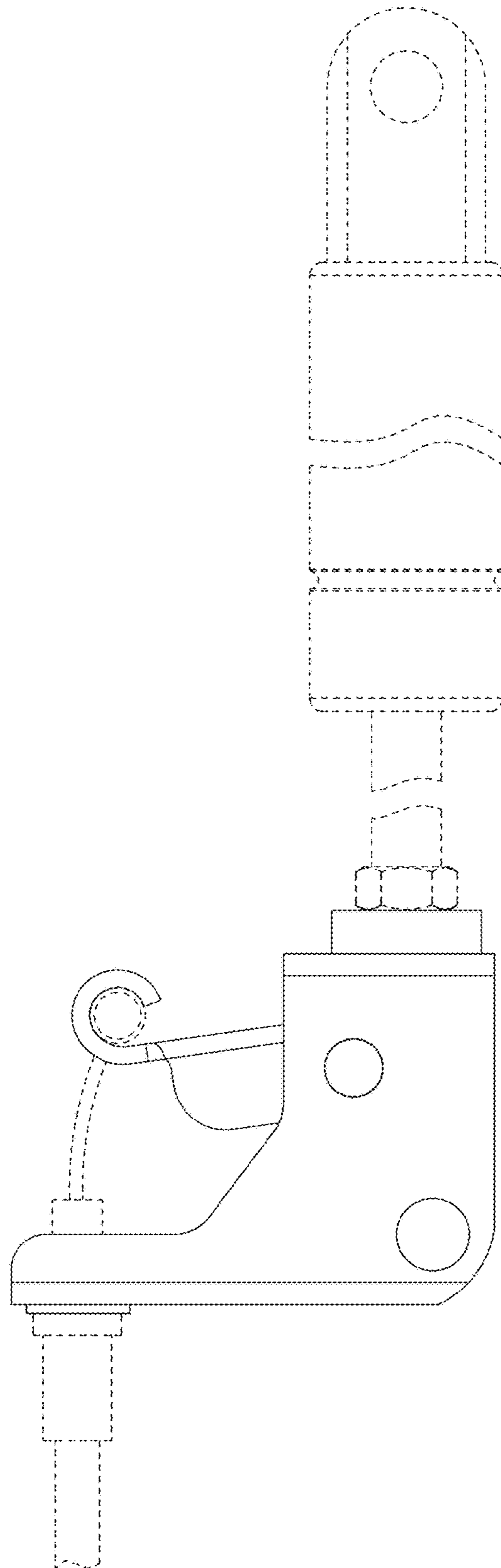


FIG. 4

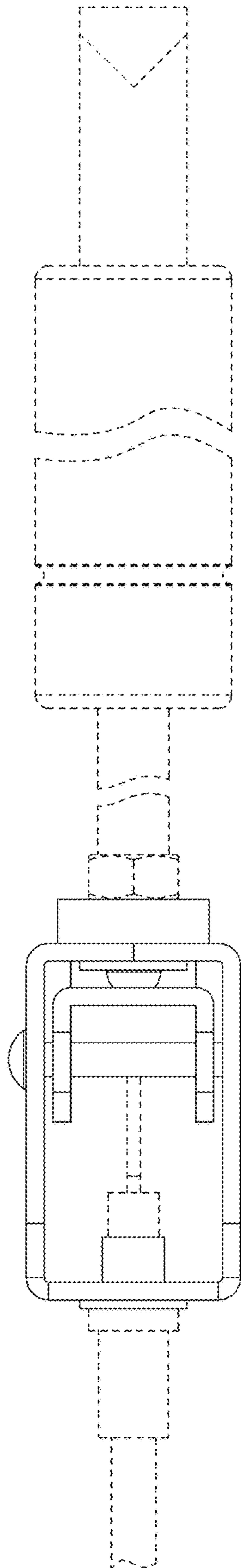


FIG. 5

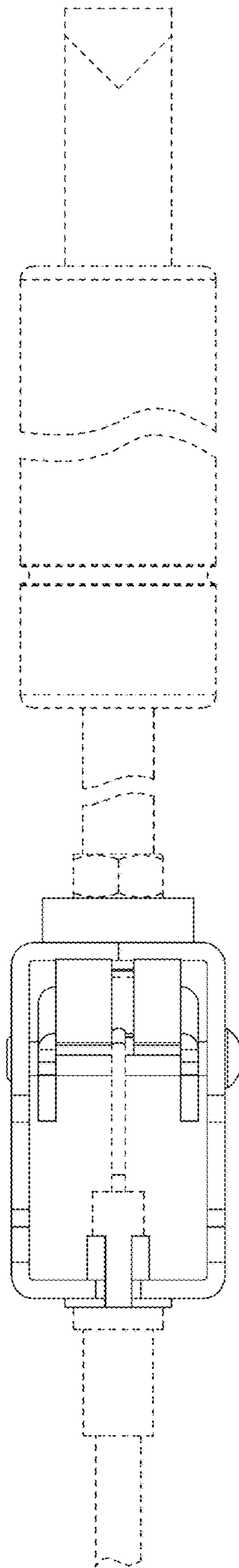


FIG. 6

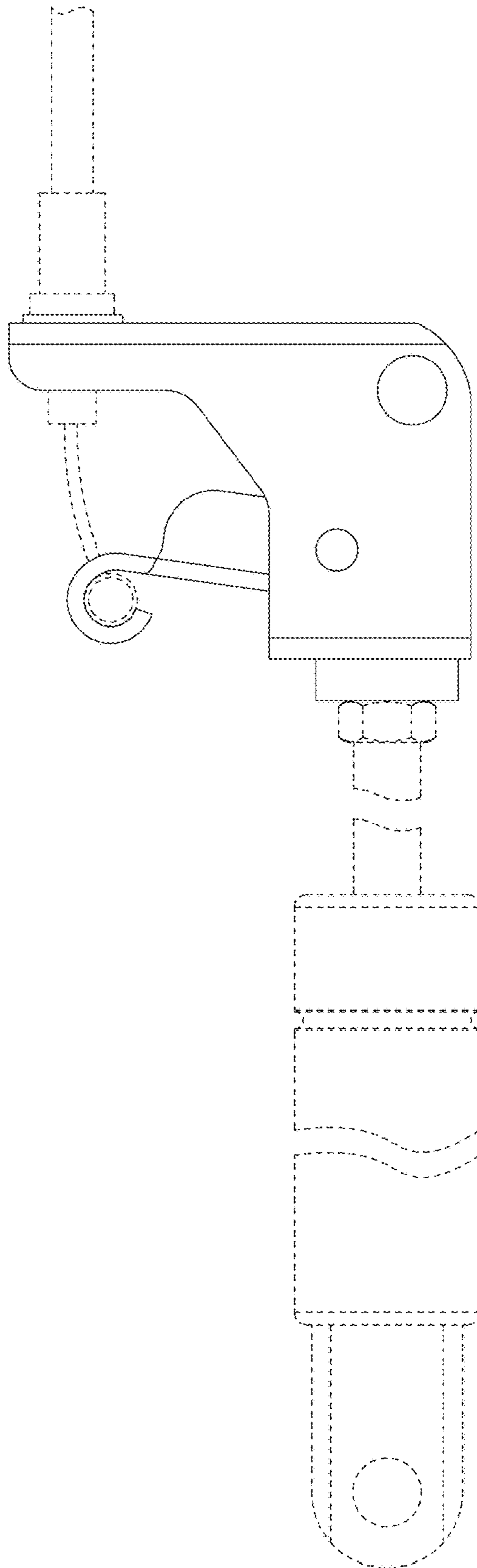


FIG. 7

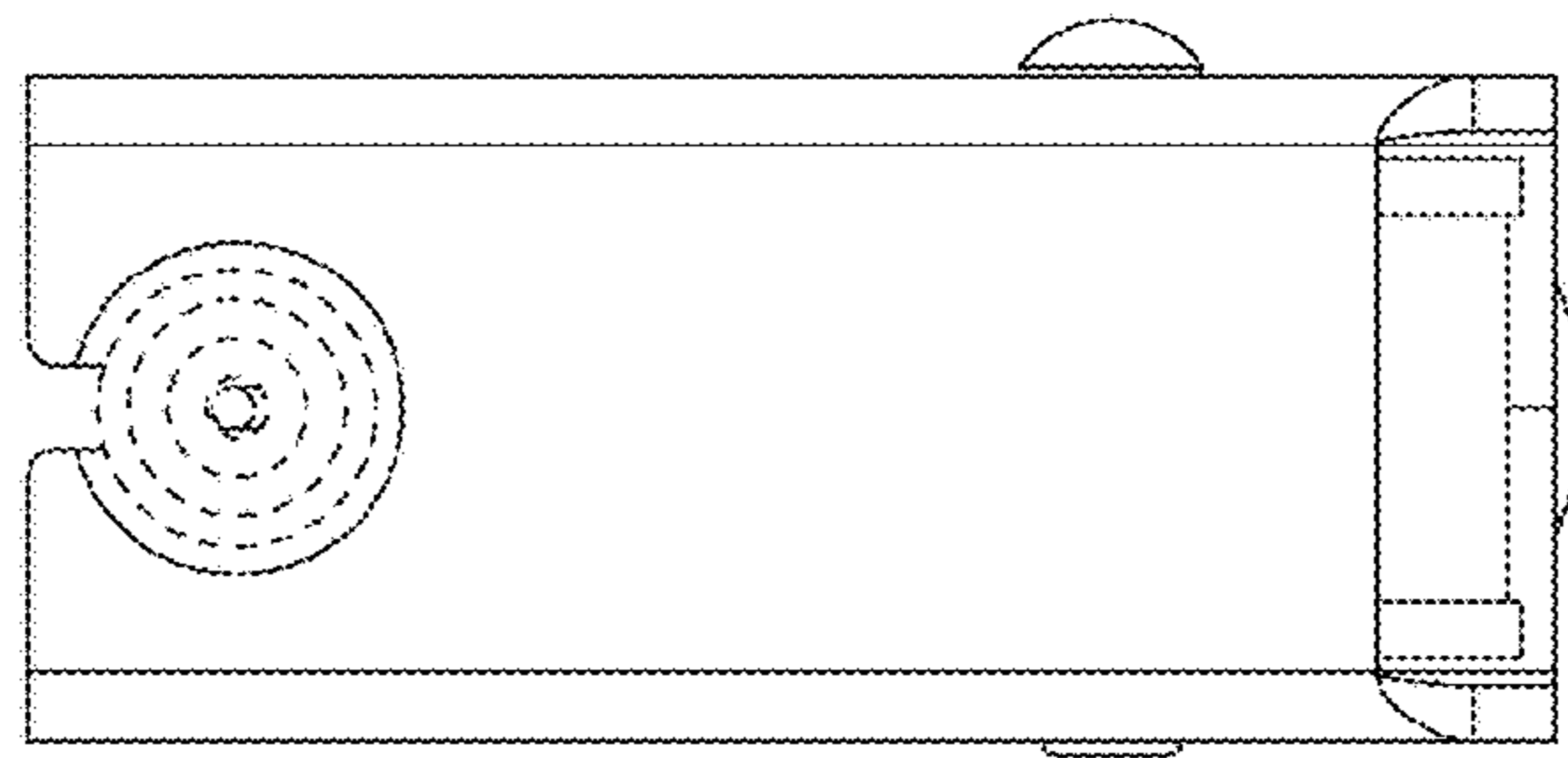


FIG. 8

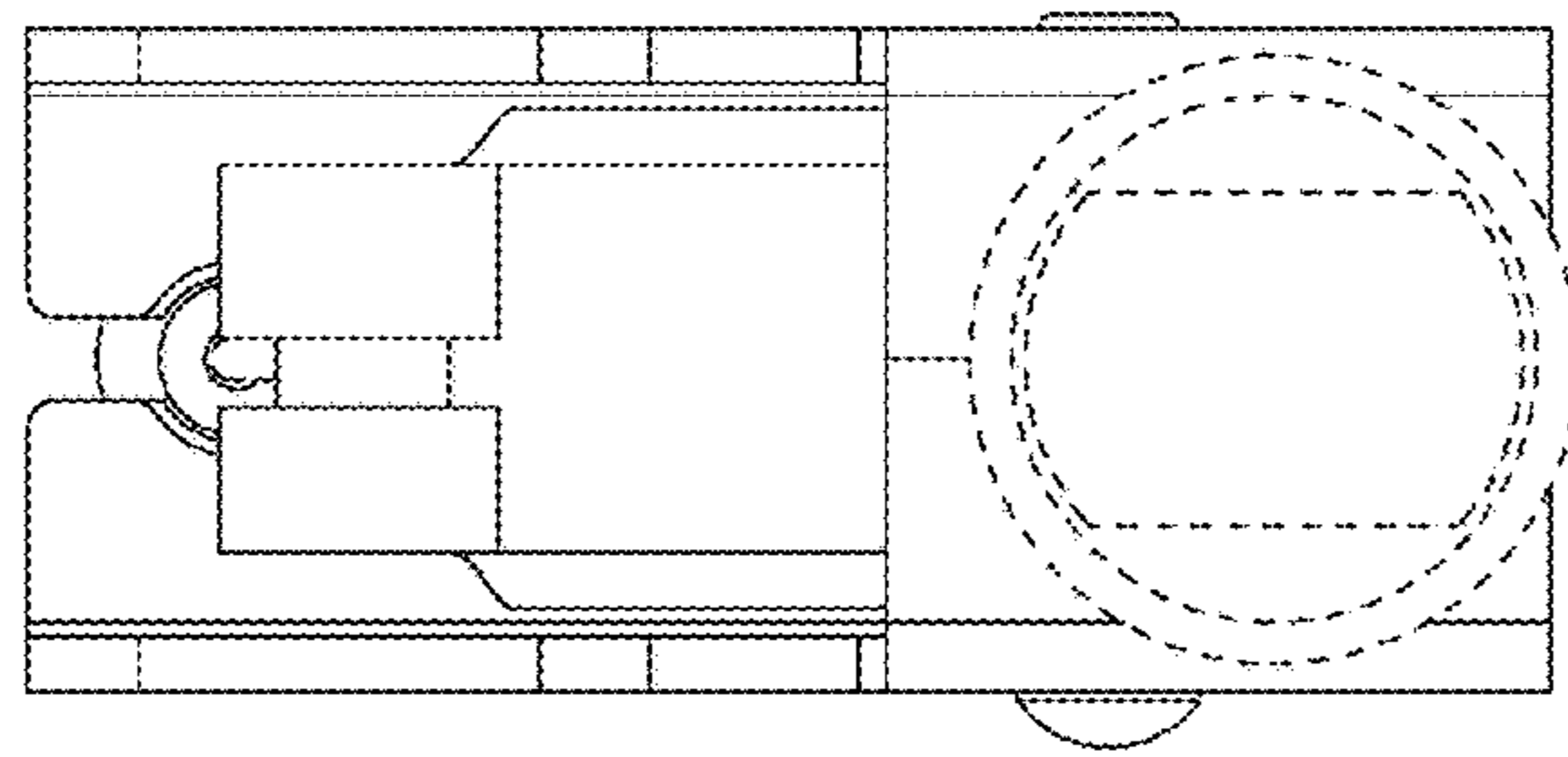


FIG. 9