



US00D855447S

(12) **United States Design Patent** (10) **Patent No.:** **US D855,447 S**
Smith (45) **Date of Patent:** **** Aug. 6, 2019**

(54) **SINK CLAMP**
 (71) Applicant: **David C Smith**, Chattanooga, TN (US)
 (72) Inventor: **David C Smith**, Chattanooga, TN (US)
 (73) Assignee: **Z KEEPERS, LLC**, Bradenton, FL (US)
 (**) Term: **15 Years**
 (21) Appl. No.: **29/625,249**
 (22) Filed: **Nov. 8, 2017**

5,352,078 A * 10/1994 Nasu F16B 2/065
 248/228.3
 5,553,838 A * 9/1996 Lee B25B 5/006
 269/100
 5,651,522 A * 7/1997 Davis B42F 1/02
 248/221.11
 5,797,573 A * 8/1998 Nasu B25B 5/08
 248/228.2
 6,082,240 A * 7/2000 Middione F41H 5/013
 296/187.07
 6,623,052 B2 * 9/2003 Hansen E05B 1/0092
 292/336.3
 6,729,664 B1 * 5/2004 Marsh E05B 17/0012
 292/145
 D491,054 S * 6/2004 Caterinacci, Jr. D8/381
 D494,454 S * 8/2004 Klein D8/373

(Continued)

Related U.S. Application Data

(63) Continuation-in-part of application No. 14/566,112, filed on Dec. 10, 2014, now Pat. No. 9,828,754.
 (51) **LOC (12) Cl.** **08-08**
 (52) **U.S. Cl.**
 USPC **D8/394**
 (58) **Field of Classification Search**
 USPC D8/105, 107, 349, 354, 394, 395;
 D6/580; D12/51, 223
 CPC . D06F 55/00; A41B 3/08; F16H 2057/02043;
 F16H 57/02
 See application file for complete search history.

Primary Examiner — John Windmuller

(74) *Attorney, Agent, or Firm* — Cygan Law Offices P.C.; Jeffrey Dixon

(57) **CLAIM**

I claim the ornamental design for a sink clamp, as shown and described.

DESCRIPTION

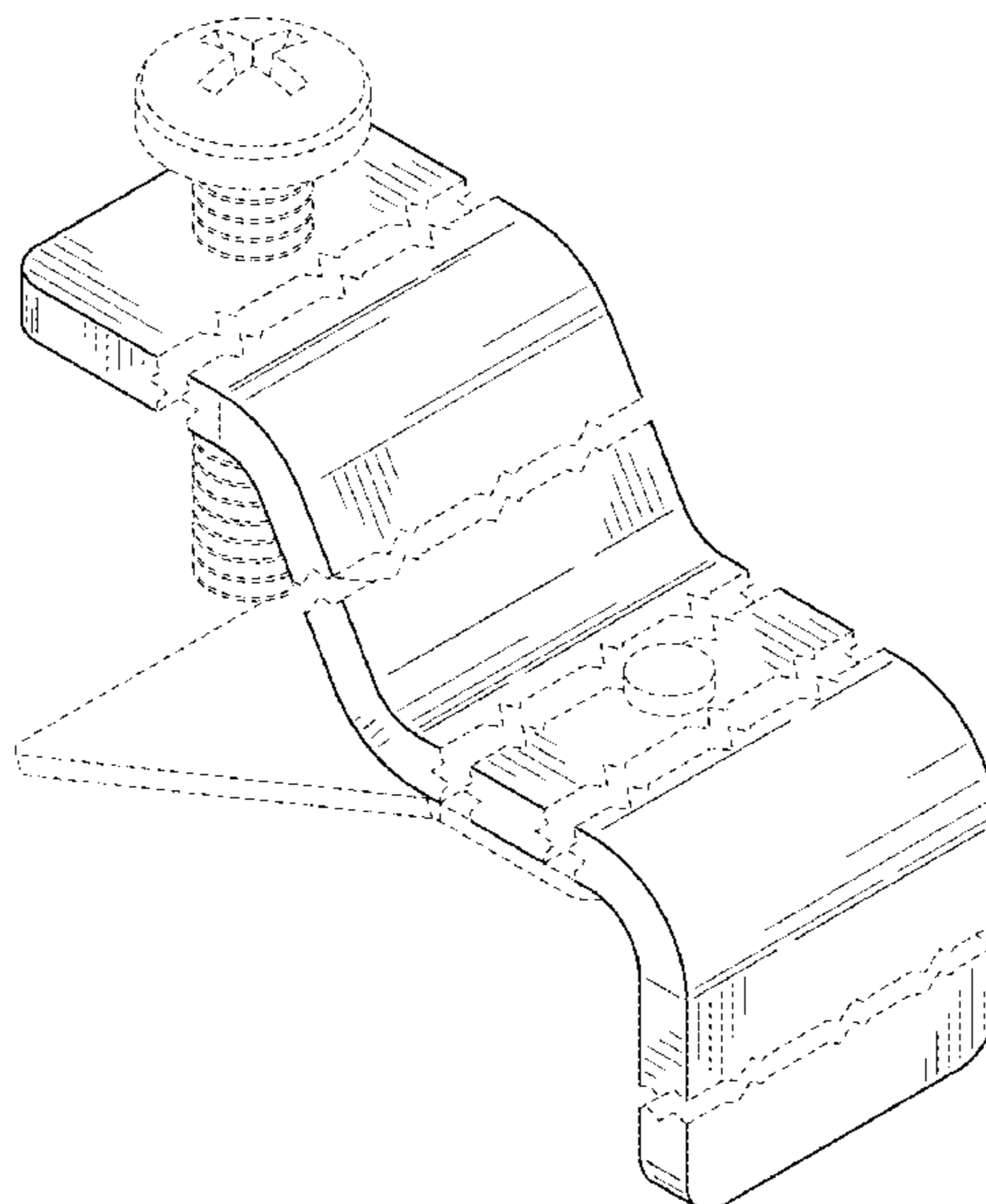
FIG. 1 is a front right perspective view of a sink clamp showing my new design;
 FIG. 2 is a front elevation view of an embodiment thereof;
 FIG. 3 is a rear elevation view of an embodiment thereof;
 FIG. 4 is a right side elevational view of an embodiment thereof, which is a mirror image of an omitted left side elevational view thereof;
 FIG. 5 is a top plan view of an embodiment thereof; and,
 FIG. 6 is a bottom plan view of an embodiment thereof.
 The broken lines illustrate portions of the article that form no part of the claimed design. Portions of the sink clamp are shown broken away to indicate that they have no other length beyond what is shown.

1 Claim, 3 Drawing Sheets

(56) **References Cited**

U.S. PATENT DOCUMENTS

27,592 A * 3/1860 Cooper B25B 5/106
 269/93
 3,938,839 A * 2/1976 Collier E05B 65/0894
 292/258
 4,080,811 A * 3/1978 Nielsen, Jr. F16B 41/005
 292/256
 4,130,309 A * 12/1978 Lewis E05C 19/182
 292/258
 4,834,354 A * 5/1989 Yang B25B 5/003
 269/156



(56)

References Cited

U.S. PATENT DOCUMENTS

D543,447 S *	5/2007	Allsopp	D8/394
7,386,922 B1 *	6/2008	Taylor	E04D 13/10 24/525
D645,150 S *	9/2011	Roggenkamp	D24/184
D682,069 S *	5/2013	Lehane	D8/349
D700,040 S *	2/2014	Goehringer	D8/363
8,733,027 B1 *	5/2014	Marston	F24S 25/636 52/24
8,898,967 B2 *	12/2014	Bartelt-Muszynski	F24S 25/636 52/173.3
D730,276 S *	5/2015	Wang	D13/102
D732,382 S *	6/2015	Zalanca	D8/394
D752,954 S *	4/2016	Lax	D8/354
D762,457 S *	8/2016	Lo	D8/349
9,596,935 B2 *	3/2017	Abell	A47B 83/001
2005/0284041 A1 *	12/2005	Chen	F16M 7/00 52/167.5
2006/0156679 A1 *	7/2006	Pierret	E04F 19/0436 52/698
2014/0298657 A1 *	10/2014	Kim	H02S 20/23 29/897

* cited by examiner

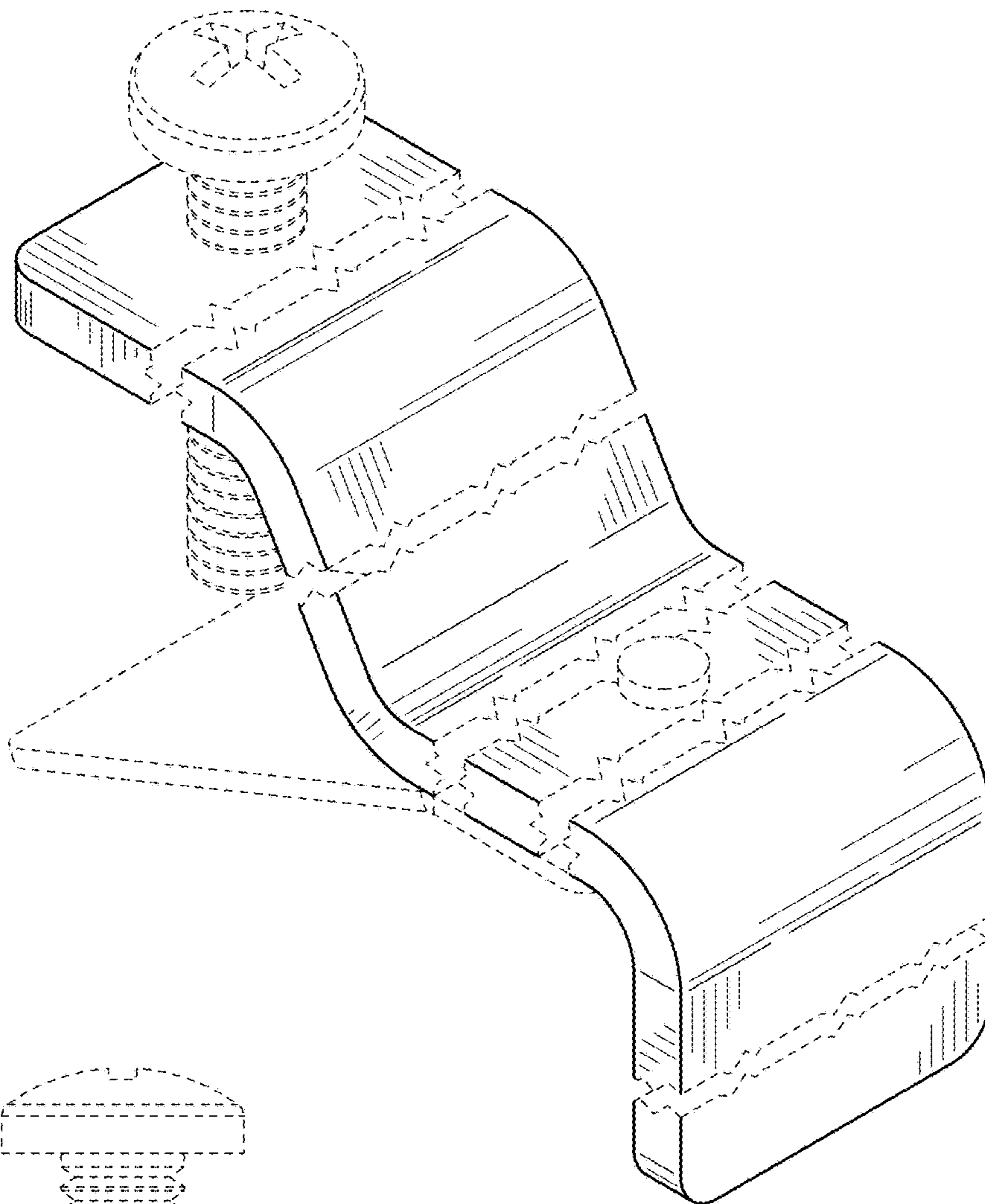


FIG. 1

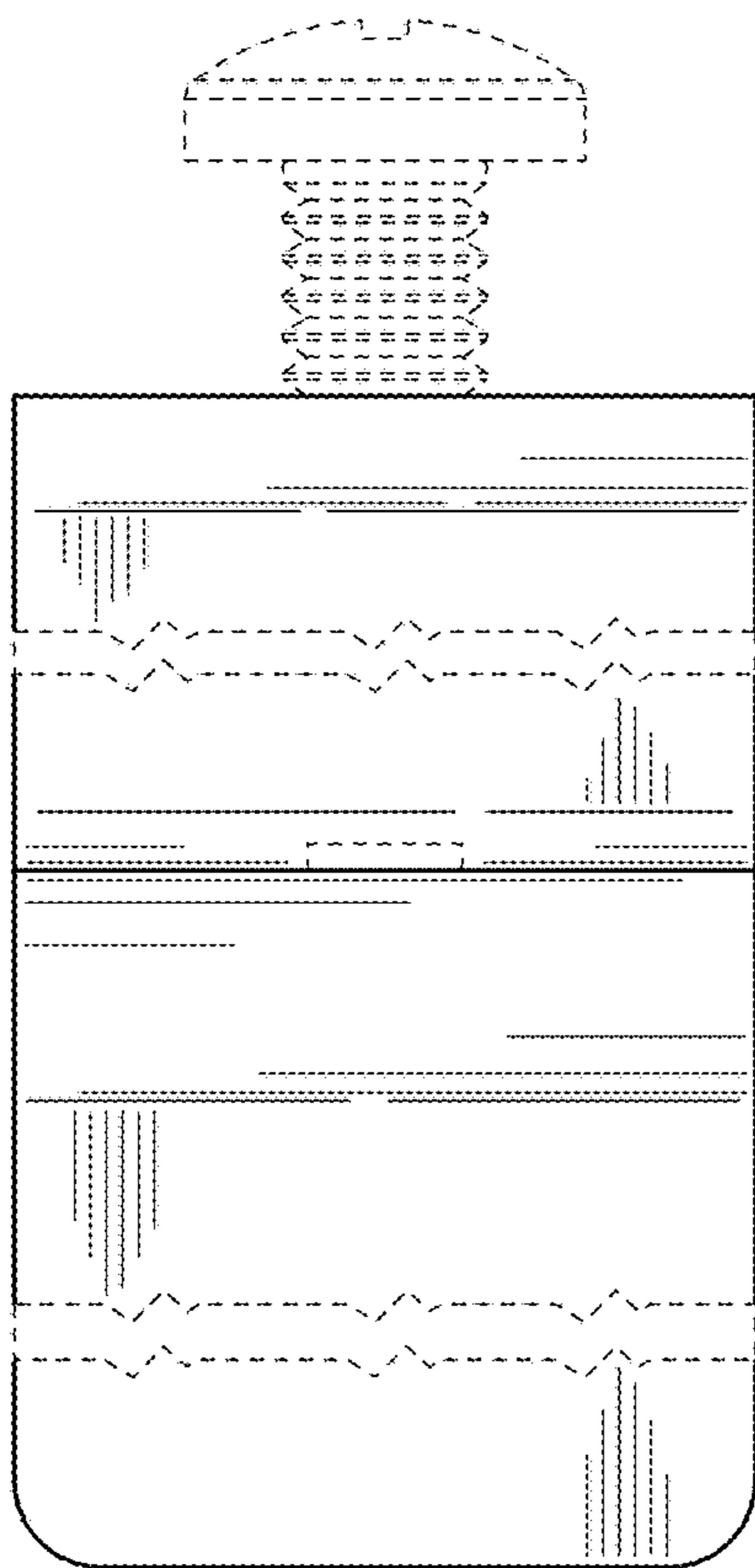


FIG. 2

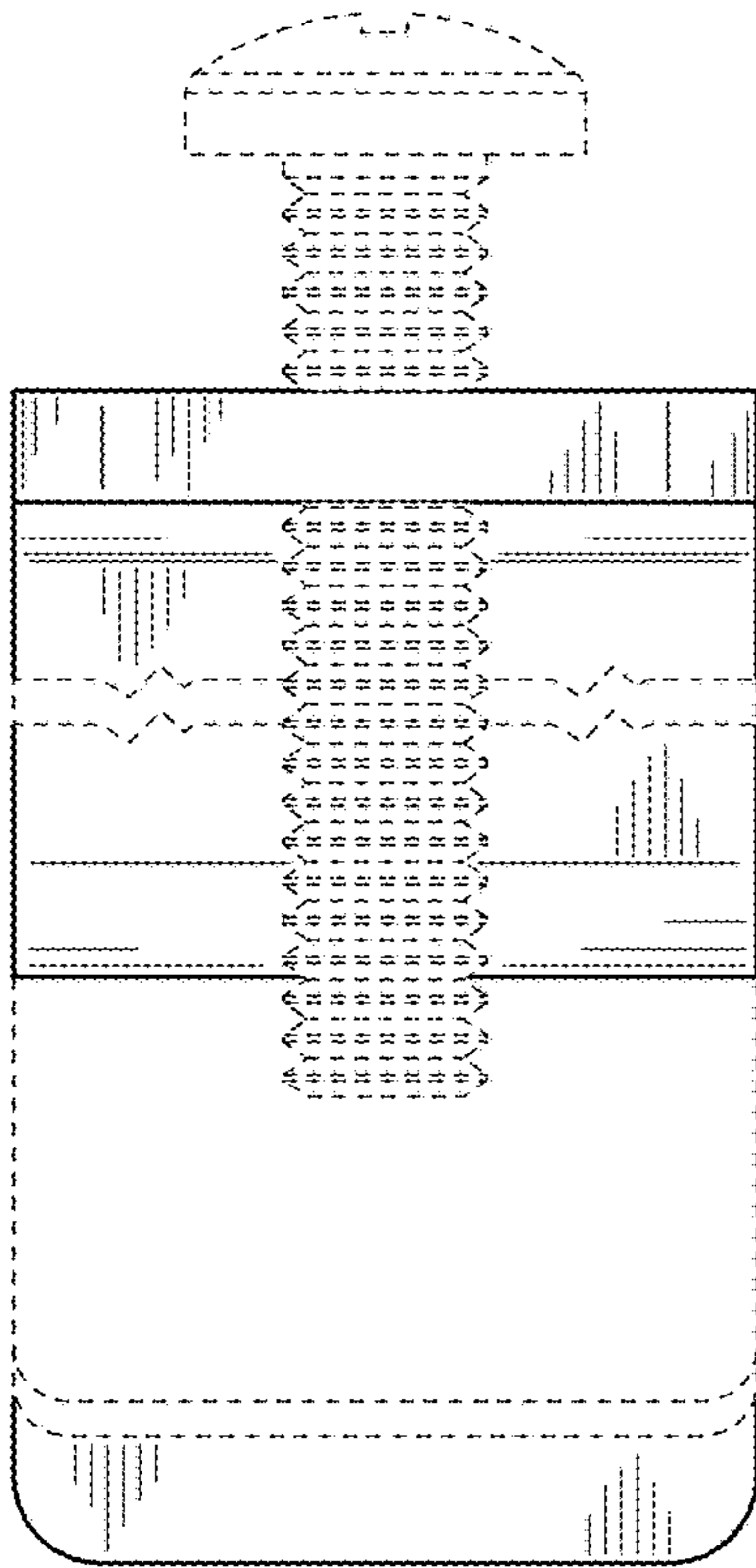


FIG. 3

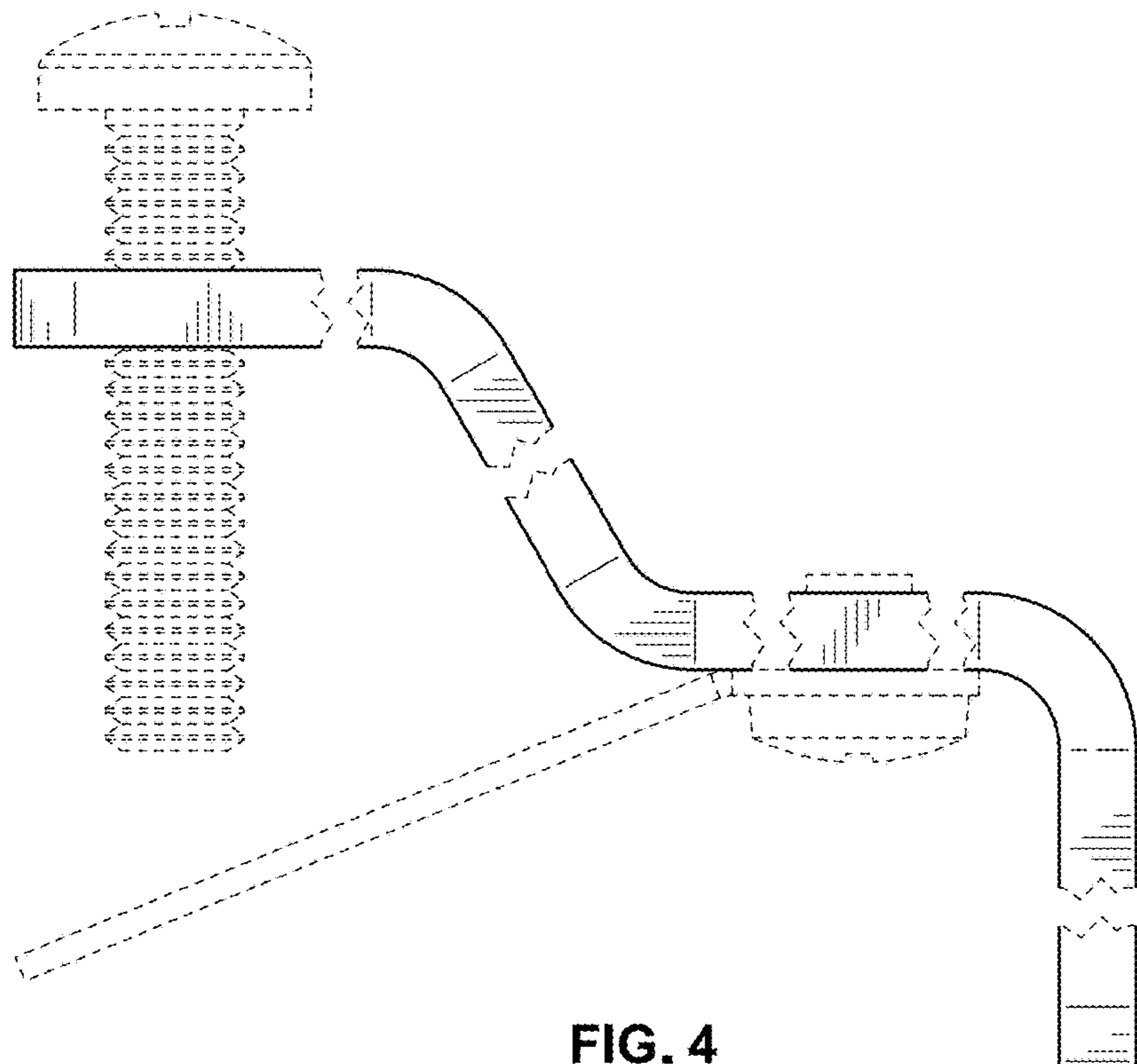


FIG. 4

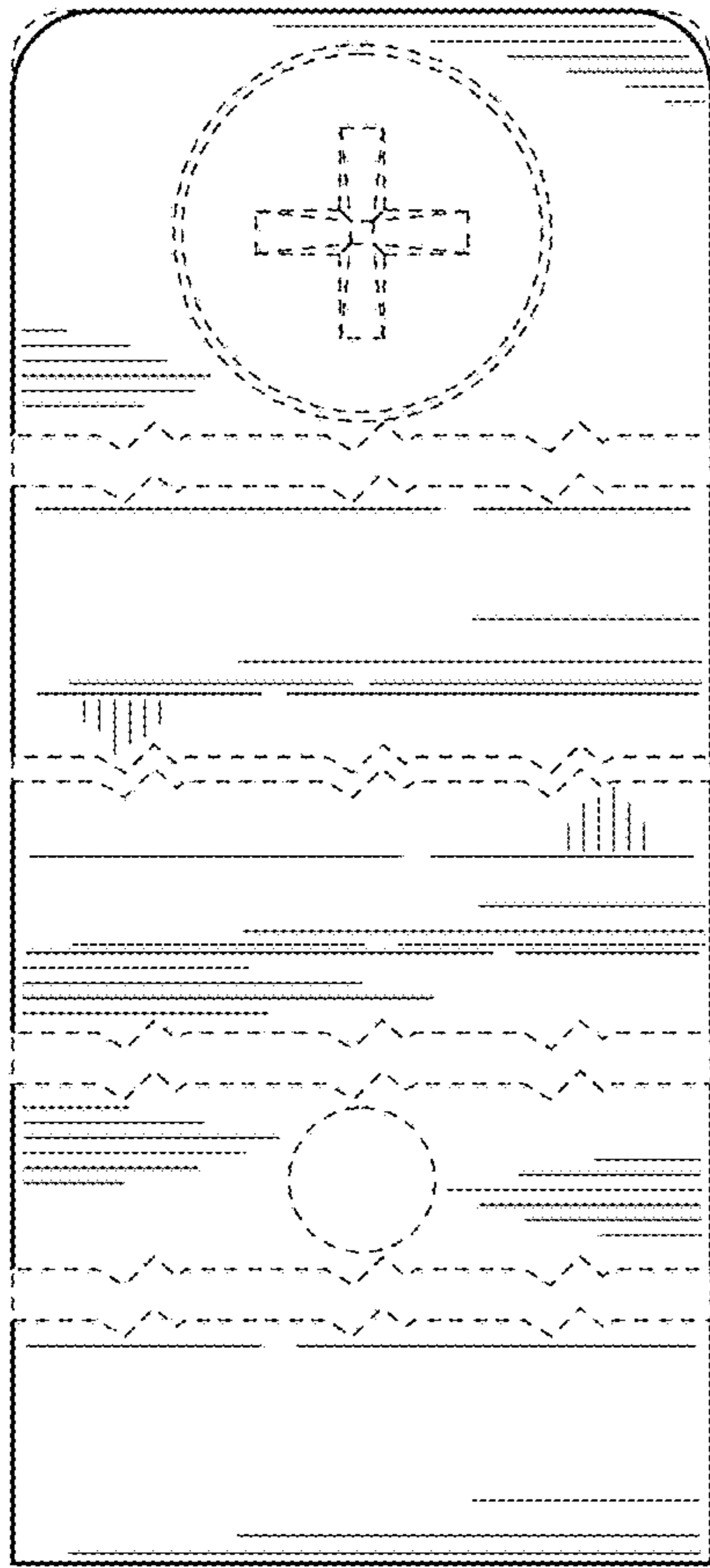


FIG. 5

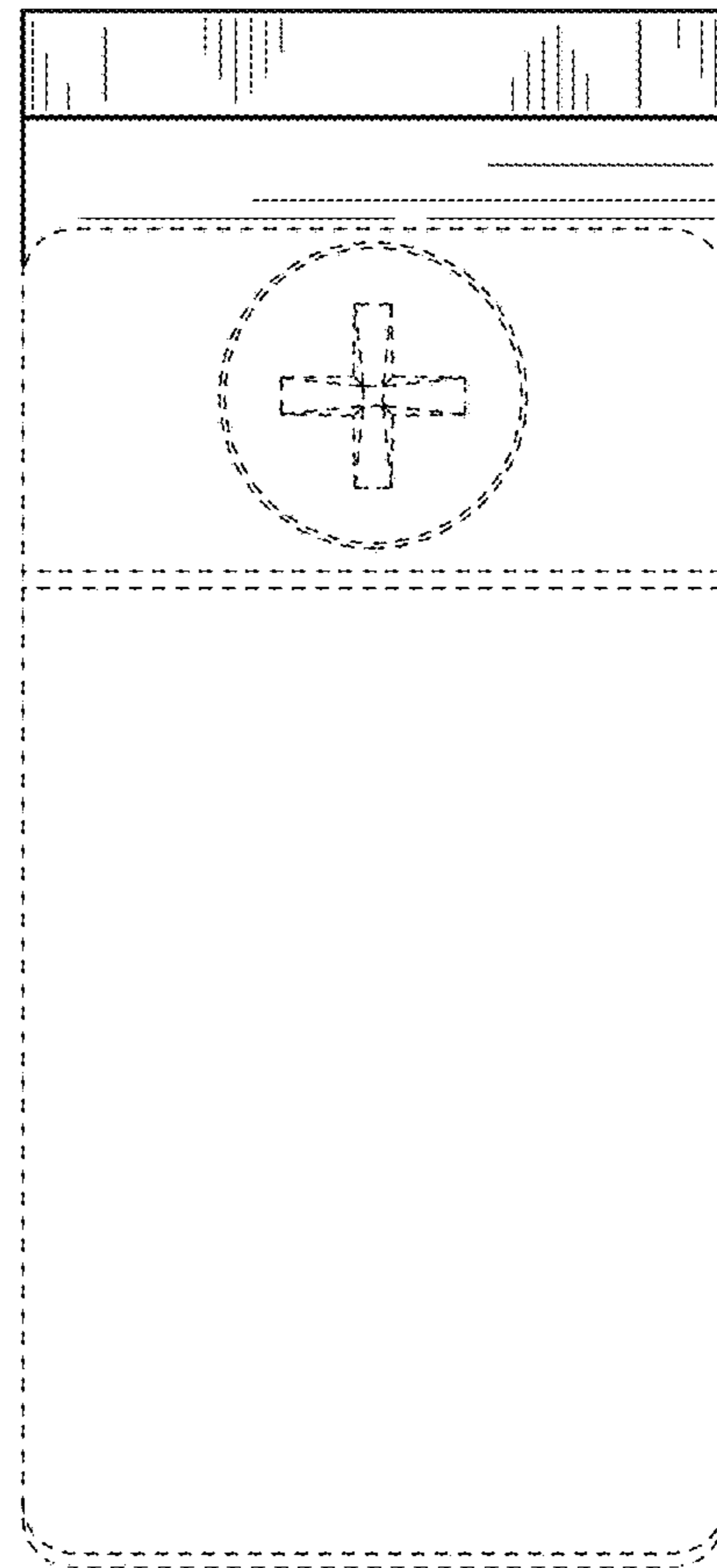


FIG. 6