



US00D855443S

(12) **United States Design Patent**
Fung et al.

(10) **Patent No.:** **US D855,443 S**

(45) **Date of Patent:** **** Aug. 6, 2019**

(54) **CARABINER RETRACTOR**

A62C 33/04; B08B 2203/0276; B21C 47/28; H02G 11/02; A01K 89/003;

(71) Applicant: **WEST COAST CHAIN MFG. CO.**,
Ontario, CA (US)

(Continued)

(72) Inventors: **Edwin Fung**, Walnut, CA (US);
Andrew Castaneda, Anaheim, CA (US)

(56)

References Cited

U.S. PATENT DOCUMENTS

(73) Assignee: **West Coast Chain Mfg. Co.**, Ontario,
CA (US)

D449,975 S * 11/2001 Smith D8/356
D453,386 S * 2/2002 Philipson D26/38

(Continued)

(**) Term: **15 Years**

OTHER PUBLICATIONS

(21) Appl. No.: **29/604,295**

T-Reign Large Carabiner Retractable Gear Tether Kevlar Cable, posted as early as Sep. 29, 2017, [retrieved Feb. 25, 2019]. Retrieved from Internet, <URL: <https://www.amazon.com/T-REIGN-Carabiner-Retractable-Universal-Reinforced/dp/B075GW2B2J>>.*

(22) Filed: **May 16, 2017**

(Continued)

(51) **LOC (12) Cl.** **08-05**

(52) **U.S. Cl.** **D8/359**
USPC

(58) **Field of Classification Search**

USPC D08/373, 358, 359, 354, 71, 330, 336,
D08/351, 356, 360.1, 363, 364, 367, 370,
D08/372, 379, 381, 382, 395, 396;
D06/349, 352; D09/426, 502, 750;
D10/72, 73, 89; D11/79, 93; D13/103,
D13/107; D19/67; D21/673, 674, 675,
D21/839, 840; D25/19, 62, 68, 69;
D26/40, 49; D29/122, 124; D30/153,
D30/155

CPC B65H 75/40; B65H 75/4407;
B65H 75/4471; B65H 2701/34; B65H
2701/32; B65H 2511/142; B65H 29/008;
B65H 2701/33; B65H 54/585; B65H
51/22; B65H 75/08; B65H 75/02; B65H
2301/41485; B65H 75/4468; B65H
2301/414323; B65H 2301/414325; B65H
16/02; B65H 2301/4131; B65H 75/403;
B65H 75/441; B65D 85/66; B65D 85/67;
B66D 3/006; B66D 3/18; B66D 3/26;
B66D 3/02; B66D 3/14; B63B 21/18;
B63B 21/26; B65B 57/005; A61G
7/1051; A61G 7/1061; B66B 11/08;

Primary Examiner — Barbara Fox

Assistant Examiner — Kristin E Reed

(74) *Attorney, Agent, or Firm* — Lewis Roca Rothgerber
Christie LLP

(57)

CLAIM

The ornamental design for a carabiner retractor, as shown and described.

DESCRIPTION

FIG. 1 is a perspective view of a carabiner retractor showing our new design;

FIG. 2 is a front view thereof;

FIG. 3 is a right side view thereof;

FIG. 4 is a rear view thereof;

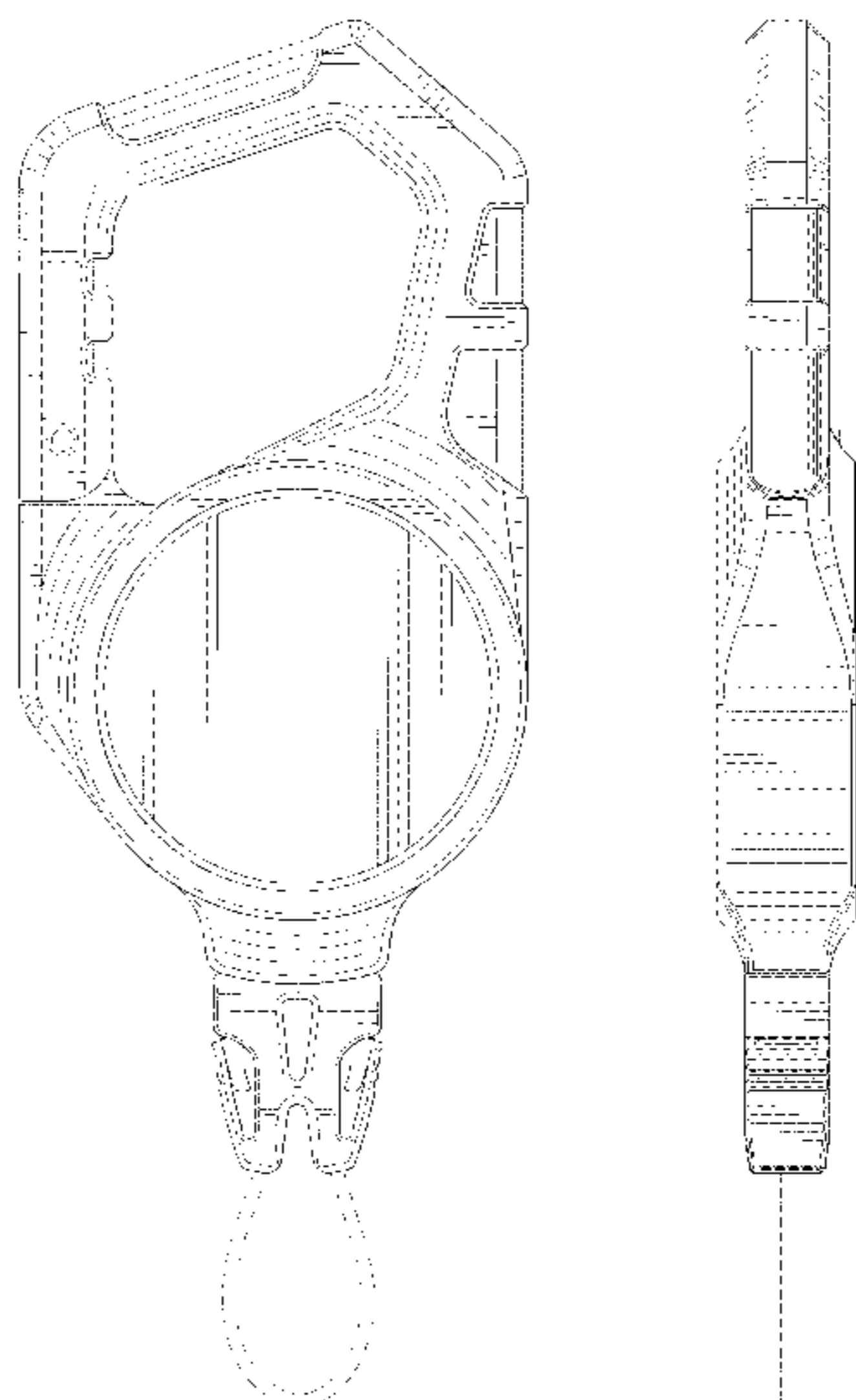
FIG. 5 is a left side view thereof;

FIG. 6 is a top view thereof; and,

FIG. 7 is a bottom view thereof.

The broken lines shown in the figures depict portions of the carabiner retractor that form no part of the claimed design.

1 Claim, 4 Drawing Sheets



(58) **Field of Classification Search**

CPC H04M 1/15; A01D 34/822; A47L 9/26;
H04R 1/1033; Y10S 24/909; E05C 19/10;
E05C 17/50; E05C 3/045; E05C 3/30;
E05C 19/02; E05C 19/026; A47G
25/0614; A47G 25/18; A47G 25/32;
A47G 7/047; A47G 7/045; A47G 7/042;
A47G 7/044; F16B 12/44; F16B 12/46;
F16B 5/0614; F16B 12/02; A47B
88/0055; E04B 1/2612; E04B 2001/2415;
E04B 1/5818; E04B 1/5831; E04F
11/1812; F16L 1/0246; A01G 9/024;
A01G 25/14; A01G 27/001; A01G 9/042;
A01G 27/005; A01G 31/001; A01G 9/02;
A01G 9/083; A01G 9/12

See application file for complete search history.

(56) **References Cited**

U.S. PATENT DOCUMENTS

D524,666 S * 7/2006 Huang D10/72
D539,122 S * 3/2007 Tsai D8/358

D592,983 S * 5/2009 Schantz D10/89
D628,043 S * 11/2010 Young D8/333
D637,067 S * 5/2011 Bauck D8/358
D651,366 S * 12/2011 Fisher D30/153
8,226,024 B2 * 7/2012 Meillet A62B 1/08
242/377
D729,990 S * 5/2015 Taylor D30/153
D730,212 S * 5/2015 Biselx D10/73
D750,330 S * 2/2016 Westerweel D29/124
D753,000 S * 4/2016 DeLeo D10/72

OTHER PUBLICATIONS

T-Reign—Small Integrated Carabiner Gear Tether, posted unknown, [retrieved Feb. 25, 2019]. Retrieved from Internet, <URL: <https://www.specshop.pl/product-eng-17130-T-Reign-Small-Integrated-Carabiner-Gear-Tether-Standard-Duty-0TCR-4111.html> >.*

Radio Retractable Tether, 36", posted unknown, [retrieved Feb. 25, 2019]. Retrieved from Internet, <URL: <https://www.zoro.com/toolmate-radio-retractable-tether-36-i-black-0kp5-3a242/i/G6531697/#specifications> >.*

* cited by examiner

FIG. 1

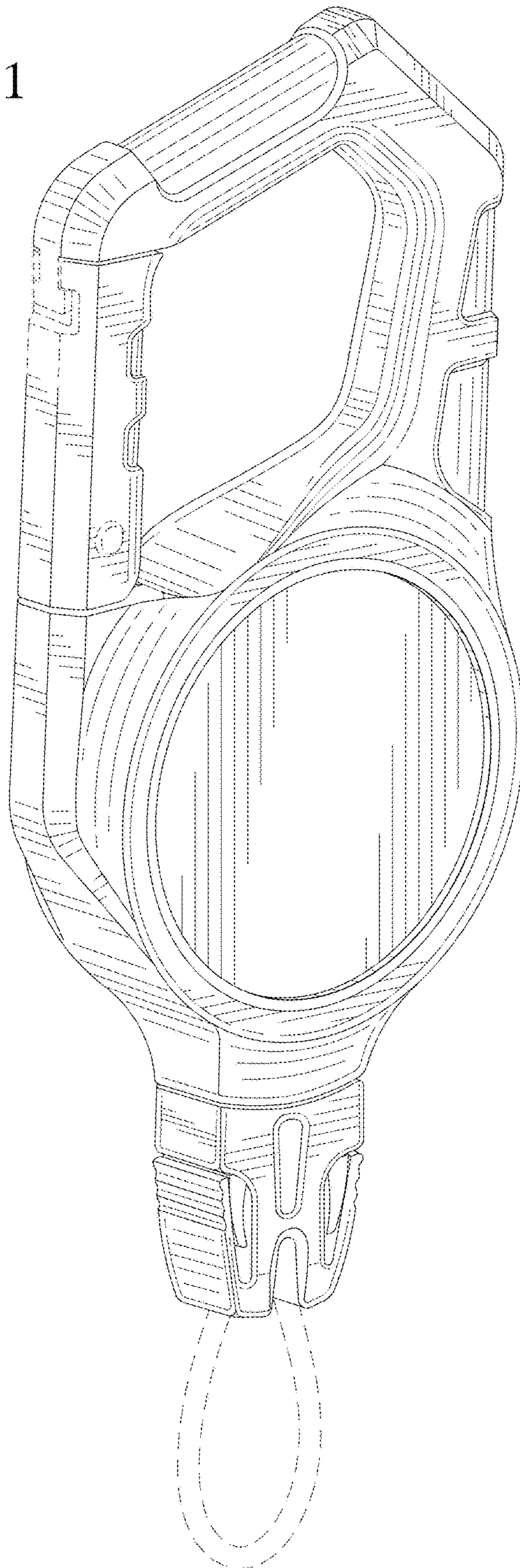


FIG. 2

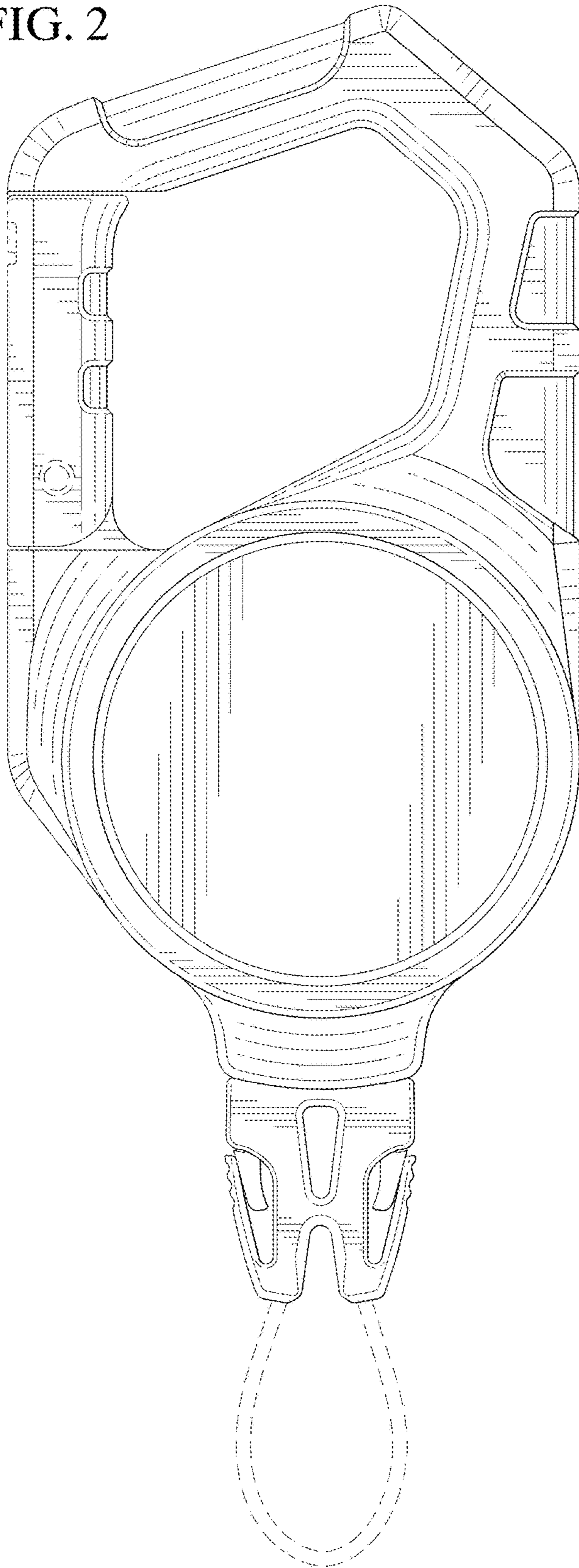


FIG. 3

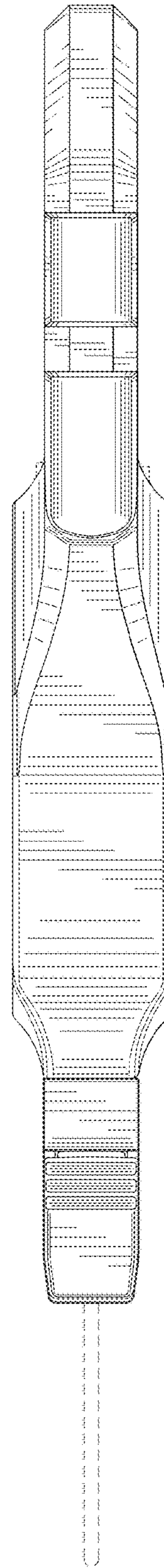


FIG. 4

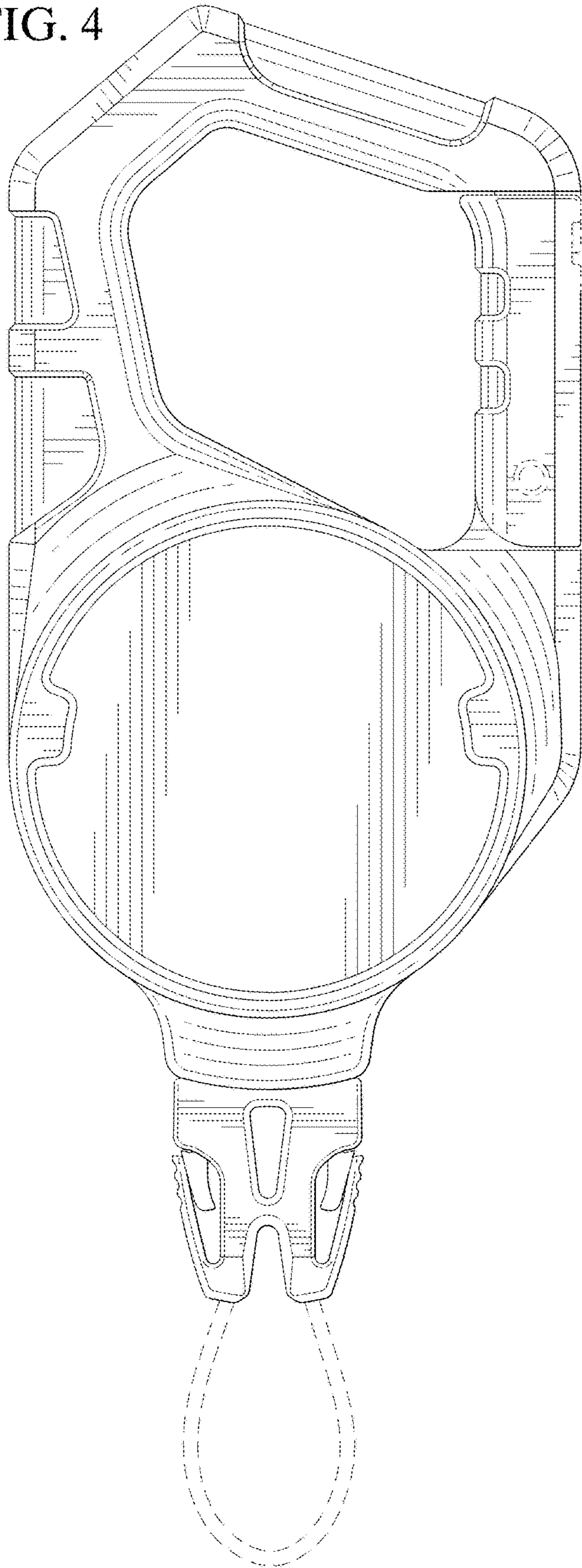


FIG. 5

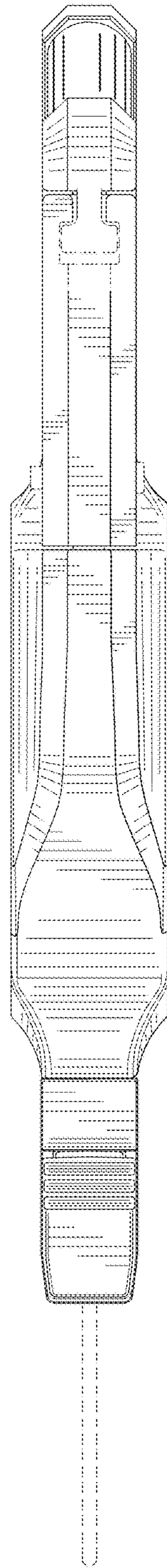


FIG. 6

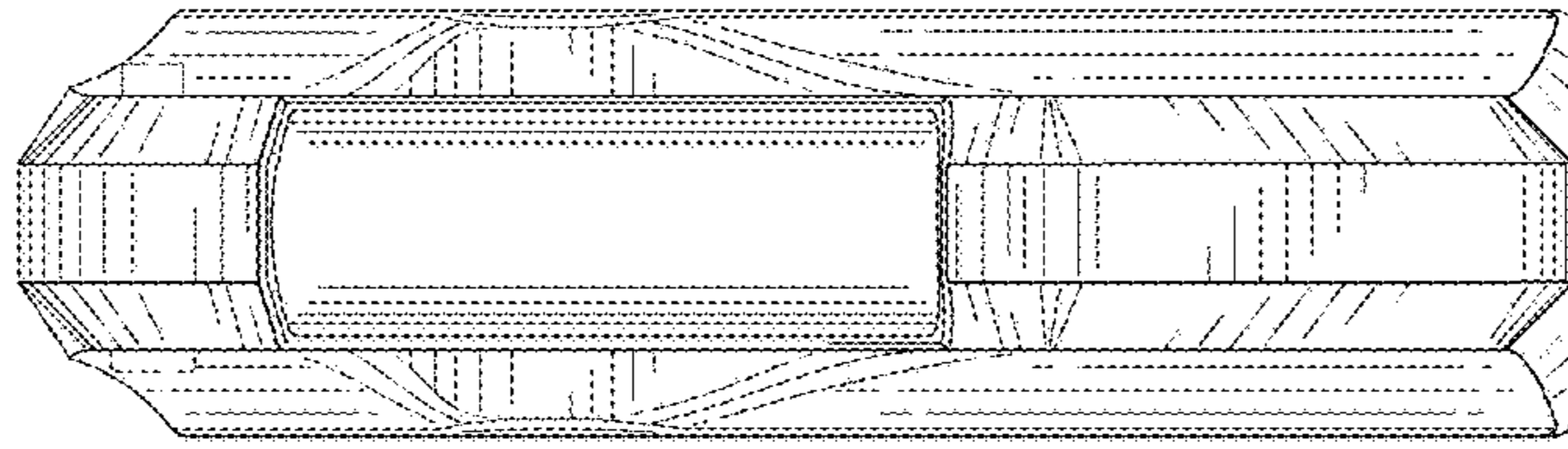


FIG. 7

