



US00D855442S

(12) **United States Design Patent**
Won et al.

(10) **Patent No.:** **US D855,442 S**
(45) **Date of Patent:** **** Aug. 6, 2019**

(54) **BRACKET FOR TV RECEIVER**

G02B 27/0101; F16M 13/02; F16M 13/00; F16M 11/10; F16M 11/04; F16M 2200/08;

(71) Applicant: **LG ELECTRONICS INC.**, Seoul (KR)

(Continued)

(72) Inventors: **Hyojin Won**, Seoul (KR); **Taeho Kim**, Seoul (KR); **Yongho Lee**, Seoul (KR)

(56) **References Cited**

U.S. PATENT DOCUMENTS

(73) Assignee: **LG Electronics Inc.**, Seoul (KR)

4,026,067 A * 5/1977 Wengel A01G 9/04
211/1.51
4,988,231 A * 1/1991 Pettit F16B 3/04
403/370

(**) Term: **15 Years**

(Continued)

(21) Appl. No.: **29/562,764**

Primary Examiner — Katie Jane Stofko

(22) Filed: **Apr. 28, 2016**

(74) *Attorney, Agent, or Firm* — Birch, Stewart, Kolasch & Birch, LLP

(30) **Foreign Application Priority Data**

Oct. 30, 2015 (KR) 30-2015-0054933

(51) **LOC (12) Cl.** **08-05**

(57) **CLAIM**

(52) **U.S. Cl.**
USPC **D8/354**

The ornamental design for a bracket for TV receiver, as shown and described.

(58) **Field of Classification Search**

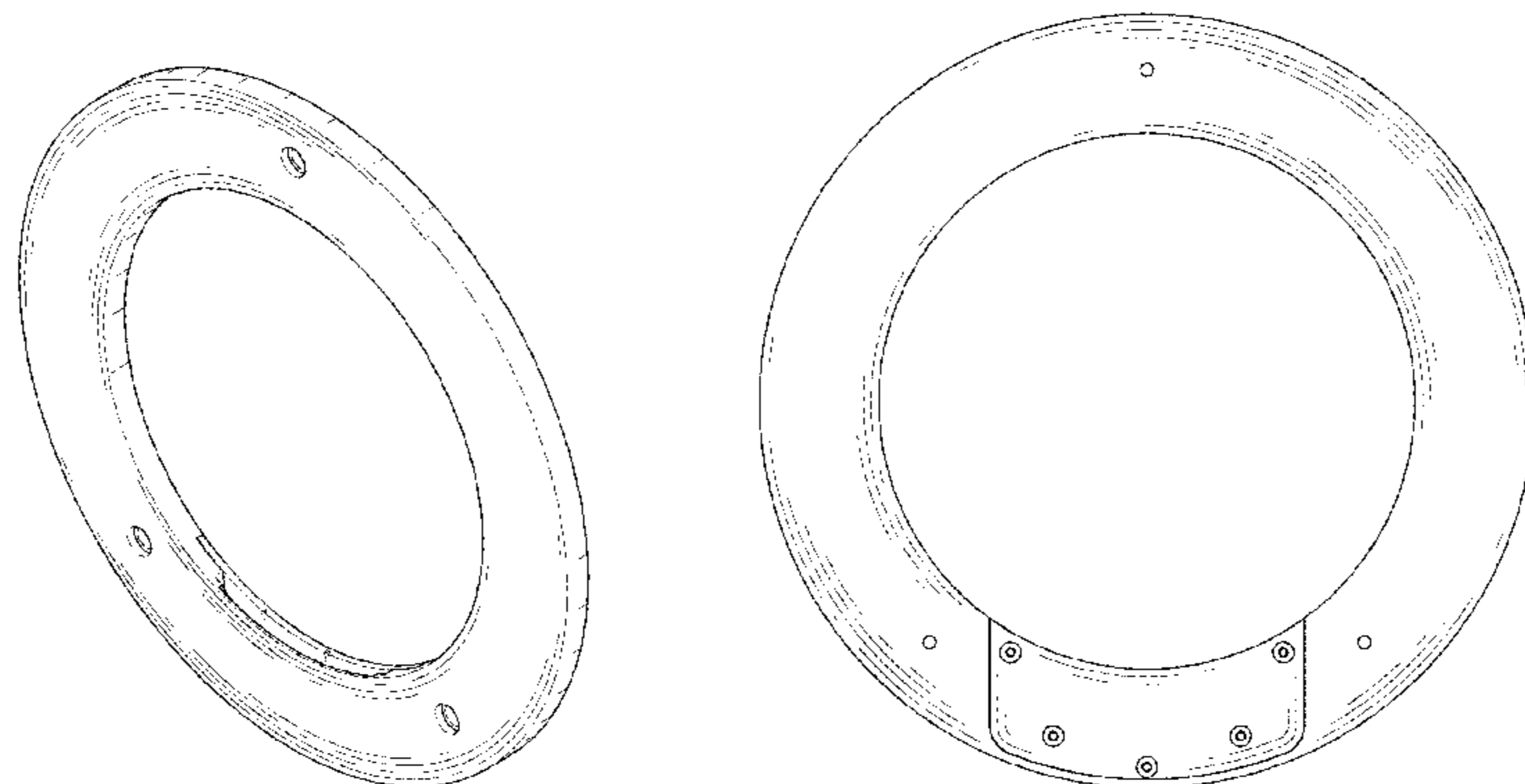
DESCRIPTION

USPC D14/371–382, 125–129, 336, 337, D14/447–452, 492, 335, 239, 457, D14/439–441, 432, 251–253, 413, 416; D8/349, 354, 363, 373, 376, 380, 356, D8/377, 381, 367; D21/333, 565; D12/133, 415; D3/10, 218; 348/180, 348/184, 325, 739, 825; 248/323, 278.1, 248/286.1; D6/580; D13/122; D25/119, D25/124

CPC G06F 3/0412; G06F 3/016; G06F 3/0488; G06F 3/011; G06F 3/038; G06F 3/03543; G06F 3/0338; G06F 3/0202; G06F 3/0219; G06F 3/0213; G06F 1/1616; G06F 3/023; G06F 3/04883; G02F 1/13338; G02F 1/1313; G02F 1/1333; G02F 1/135; G02F 1/132; G02F 1/133308; G02F 1/134309; G02F 1/13718; G09G 3/3648; G06K 15/1252; B41J 2/465; G03F 7/70291; G02B 27/0172; G02B 5/30; G02B 2027/0118;

FIG. 1 is a front, right side, perspective view of a bracket for TV receiver showing our new design;
FIG. 2 is a front view thereof;
FIG. 3 is a rear view thereof;
FIG. 4 is a left side view thereof;
FIG. 5 is a right side view thereof;
FIG. 6 is a top view thereof;
FIG. 7 is a bottom view thereof;
FIG. 8 is a cross-section view of 8-8 taken from FIG. 2;
FIG. 9 is a rear cross-section perspective view taken from the section cut shown in FIG. 2 in an environment of use;
FIG. 10 is a cross-section view taken from the section cut shown in FIG. 2 in an environment of use; and,
FIG. 11 is an enlarged view of 11-11 taken from FIG. 10. The evenly-spaced broken lines in the drawings illustrate environment that forms no part of the claimed design. The dash-dot broken lines in FIG. 11 illustrate a boundary of the

(Continued)



enlarged portion of the claimed design shown in FIG. 10 that forms no part of the claimed design.

1 Claim, 9 Drawing Sheets

(58) Field of Classification Search

CPC F16M 11/2021; A47B 21/0314; A47B
88/044; A47B 2021/0335; H02G 3/126;
F16B 47/00; F16B 47/006; A47G 1/17;
A47K 2201/00

See application file for complete search history.

(56) References Cited

U.S. PATENT DOCUMENTS

D330,226 S * 10/1992 Rojas D21/444
D357,480 S * 4/1995 Lumsden D14/224
5,921,022 A * 7/1999 Baker A47G 33/126
47/39
6,102,345 A * 8/2000 Mori A47B 21/0371
248/118.5
D443,262 S * 6/2001 Caren D14/224
D603,247 S * 11/2009 Harrell D8/367
D743,551 S * 11/2015 Gronberg D24/127
D749,734 S * 2/2016 Gronberg D24/127
D766,704 S * 9/2016 Hill D8/354
D814,267 S * 4/2018 Verbowski D8/354
2014/0379011 A1 * 12/2014 Viola A61B 17/11
606/153

* cited by examiner

FIG. 1

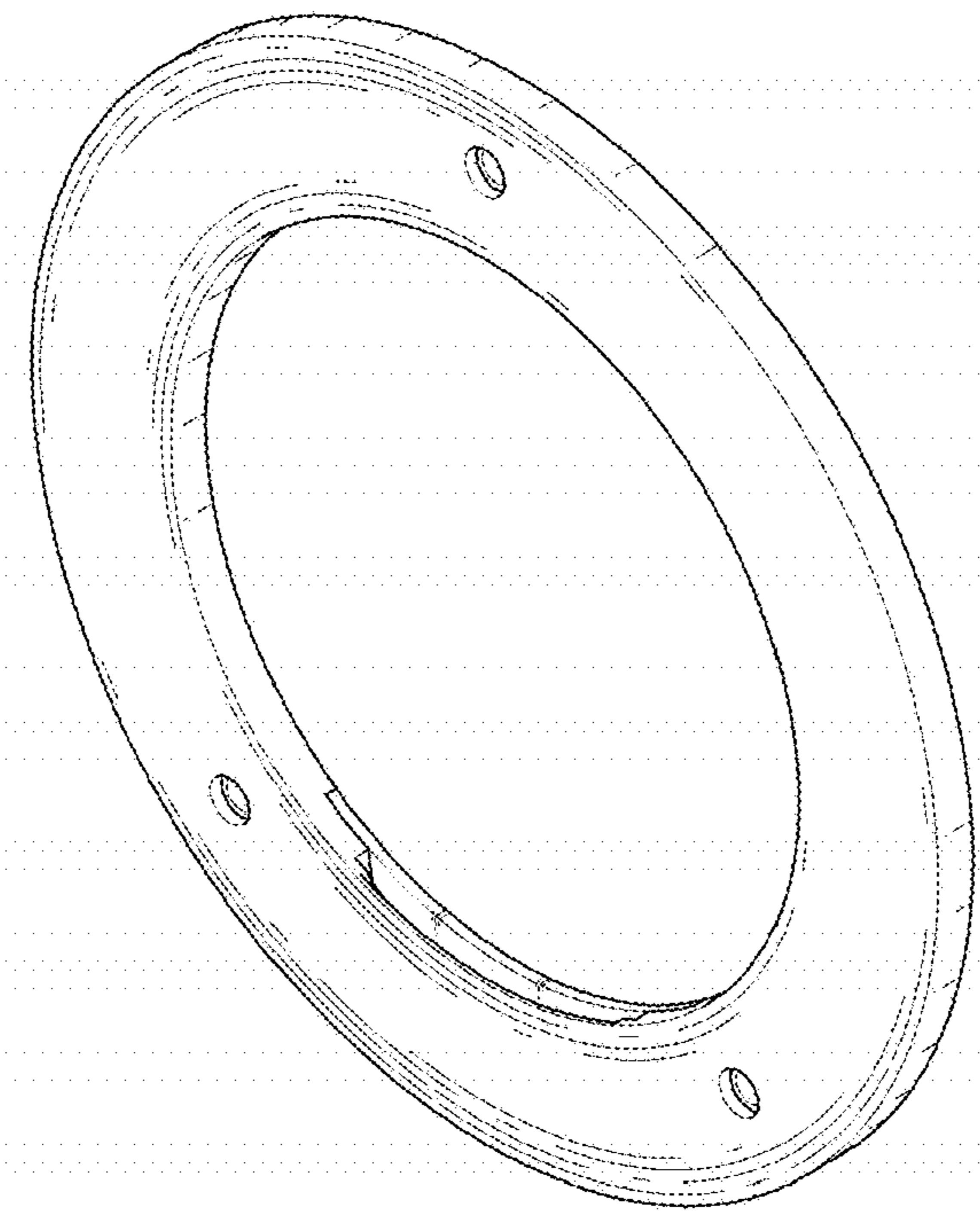


FIG. 2

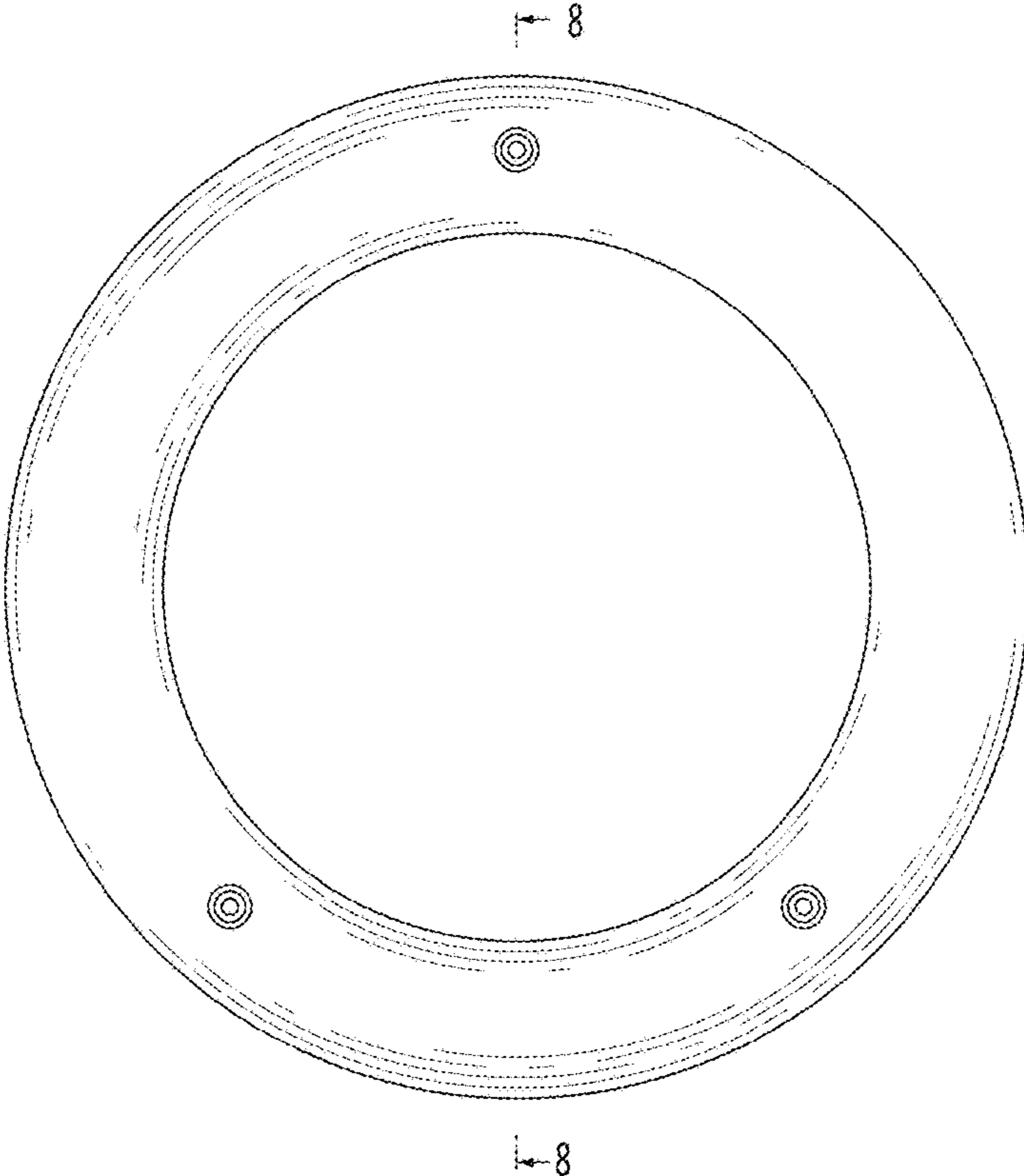


FIG. 3

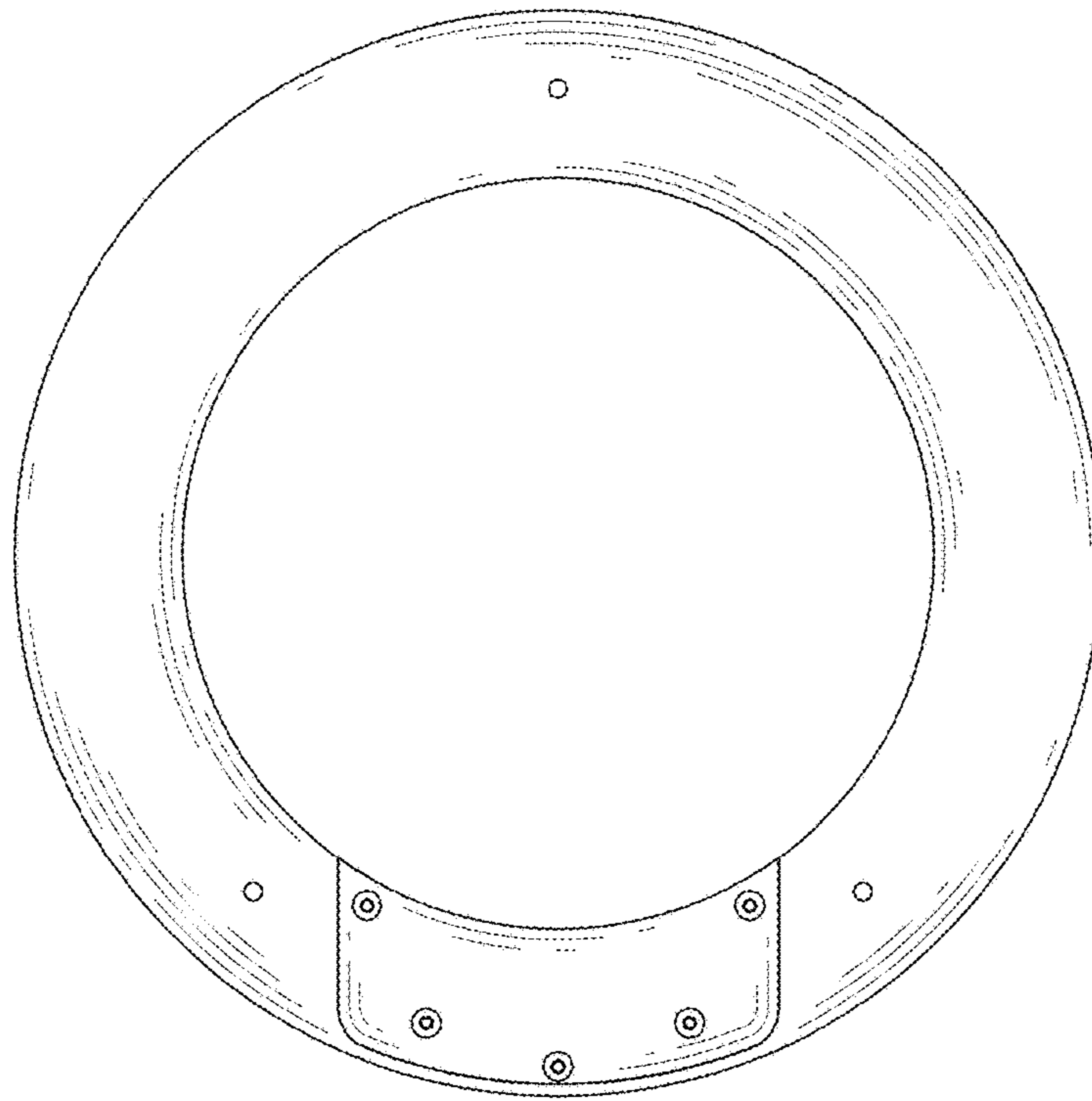


FIG. 4



FIG. 5



FIG. 6

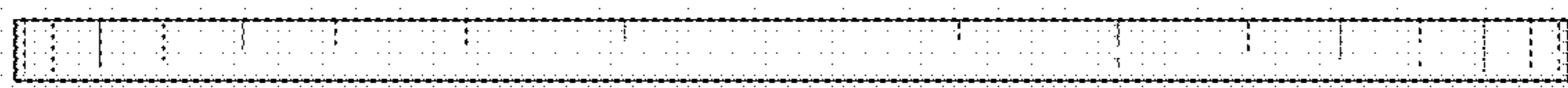


FIG. 7

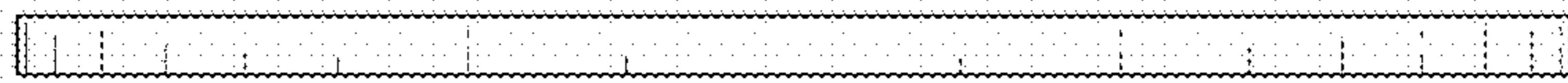


FIG. 8



FIG. 9

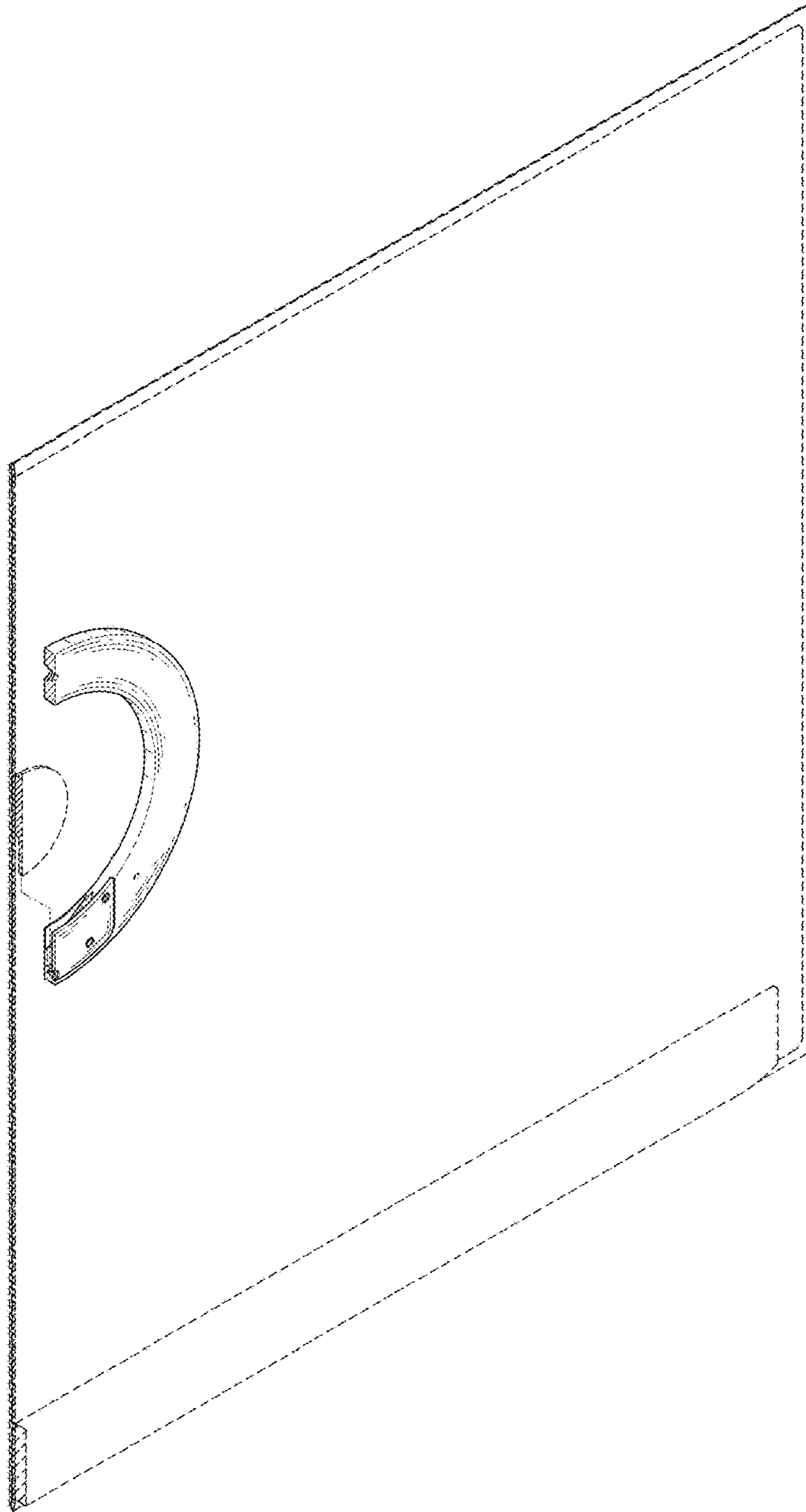


FIG. 10

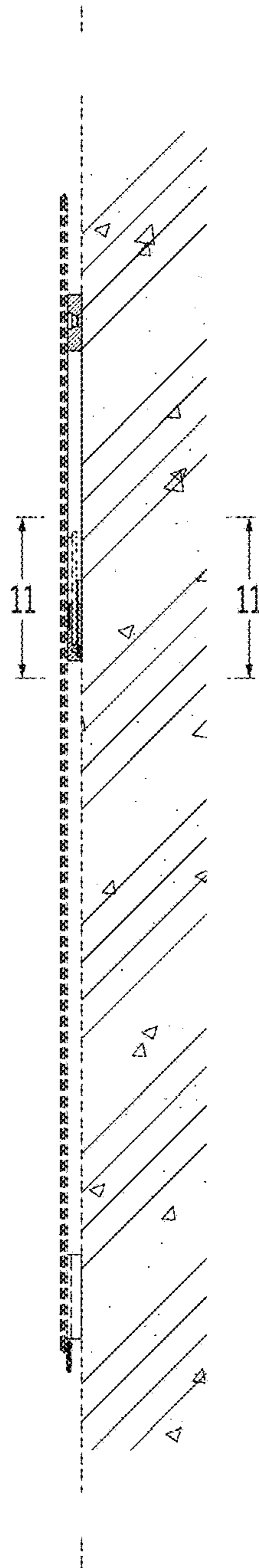


FIG. 11

