



US00D855441S

(12) **United States Design Patent** (10) **Patent No.:** **US D855,441 S**
Schmonsees et al. (45) **Date of Patent:** **** Aug. 6, 2019**

(54) **MOUNTING BRACKET FOR DAS ANTENNA HOUSING**

D476,217 S * 6/2003 Shea D8/354
D574,221 S * 8/2008 Allen D8/349
D588,441 S * 3/2009 Clarke D8/354

(71) Applicant: **BEAM WIRELESS, INC.**, Greenville, SC (US)

(Continued)

(72) Inventors: **Kevin Thomas Schmonsees**, Holly Springs, NC (US); **Steven James Heglar**, Apex, NC (US)

Primary Examiner — Mark A Goodwin

Assistant Examiner — Benjamin M Weeks

(73) Assignee: **BEAM WIRELESS, INC.**, Greenville, SC (US)

(74) *Attorney, Agent, or Firm* — JK Intellectual Property Law, PA

(**) Term: **15 Years**

(57) **CLAIM**

The ornamental design for a mounting bracket for DAS antenna housing, as shown and described.

(21) Appl. No.: **29/646,441**

DESCRIPTION

(22) Filed: **May 4, 2018**

(51) **LOC (12) Cl.** **08-08**

(52) **U.S. Cl.**
USPC **D8/349**

(58) **Field of Classification Search**
USPC D6/672, 684, 680, 683.1, 703.5; D8/349, D8/354, 355, 330, 331, 333, 380, 382; D13/144, 154, 133, 129, 199; D22/125; D25/119, 164, 199, 139, 141; D26/138, D26/76, 78, 79, 80
CPC .. F16C 2314/72; F16C 29/0623; F16C 29/06; F16C 29/0609; F16C 29/005; F16C 29/008; F16C 29/04; F16C 29/0657; F16C 29/004; F16C 29/12; A47B 1/10; A47B 88/493; A47B 88/423; A47B 2088/4235; B44C 5/02

FIG. 1 is an isometric right side view of a right-hand side embodiment of a mounting bracket for DAS antenna housing according to the present design;
FIG. 2 is an isometric left side view thereof;
FIG. 3 is a front view thereof;
FIG. 4 is a rear view thereof;
FIG. 5 is a right side view thereof;
FIG. 6 is a left side view thereof;
FIG. 7 is a top view thereof; and
FIG. 8 is a bottom view thereof.
FIG. 9 is an isometric left side view of a left-hand side embodiment of a mounting bracket for DAS antenna housing according to the present design;
FIG. 10 is an isometric right side view thereof;
FIG. 11 is a front view thereof;
FIG. 12 is a rear view thereof;
FIG. 13 is a left side view thereof;
FIG. 14 is a right side view thereof;
FIG. 15 is a bottom view thereof; and,
FIG. 16 is a top view thereof.

See application file for complete search history.

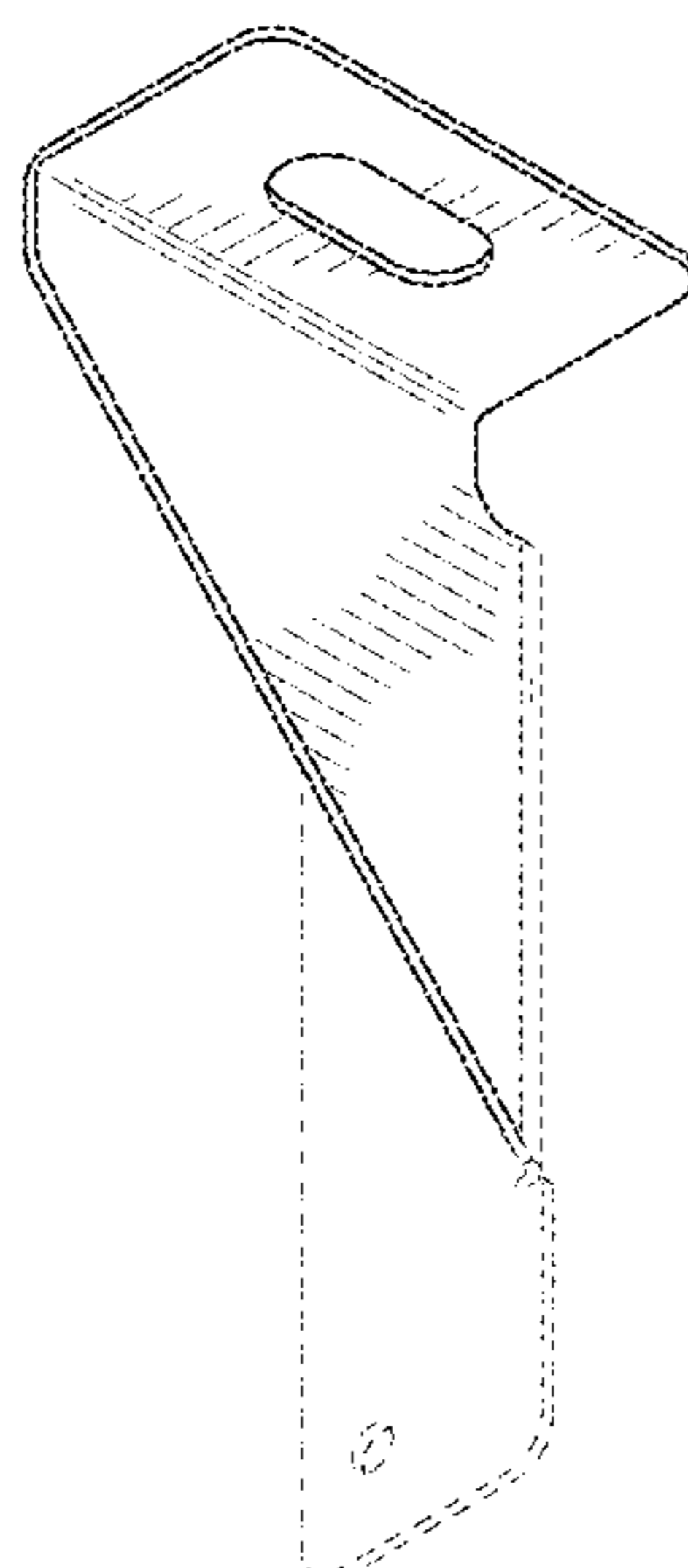
Two mirror-image embodiments (FIGS. 1-8; FIGS. 9-16) with identical structure are presented as directed to a single inventive design. Elements shown in dotted lines are environmental structure that form no part of the claimed design.

(56) **References Cited**

U.S. PATENT DOCUMENTS

D260,758 S * 9/1981 Borugian D12/180
D313,743 S * 1/1991 Mastrodicasa D8/381
D327,214 S * 6/1992 Stuart D8/373
D422,483 S * 4/2000 Shea D8/354

1 Claim, 8 Drawing Sheets



(56)

References Cited

U.S. PATENT DOCUMENTS

D618,085 S *	6/2010	Lin	D8/354
9,039,049 B2 *	5/2015	Lahey	F16M 13/02
				248/205.1
D736,066 S *	8/2015	Hull	D8/354
D779,312 S *	2/2017	Stanley	D26/138
D789,564 S *	6/2017	Lopez	D25/199
D789,565 S *	6/2017	Lopez	D25/199
D822,453 S *	7/2018	Kanter	D8/354
2006/0059844 A1 *	3/2006	Ely	E04G 21/3276
				52/698

* cited by examiner

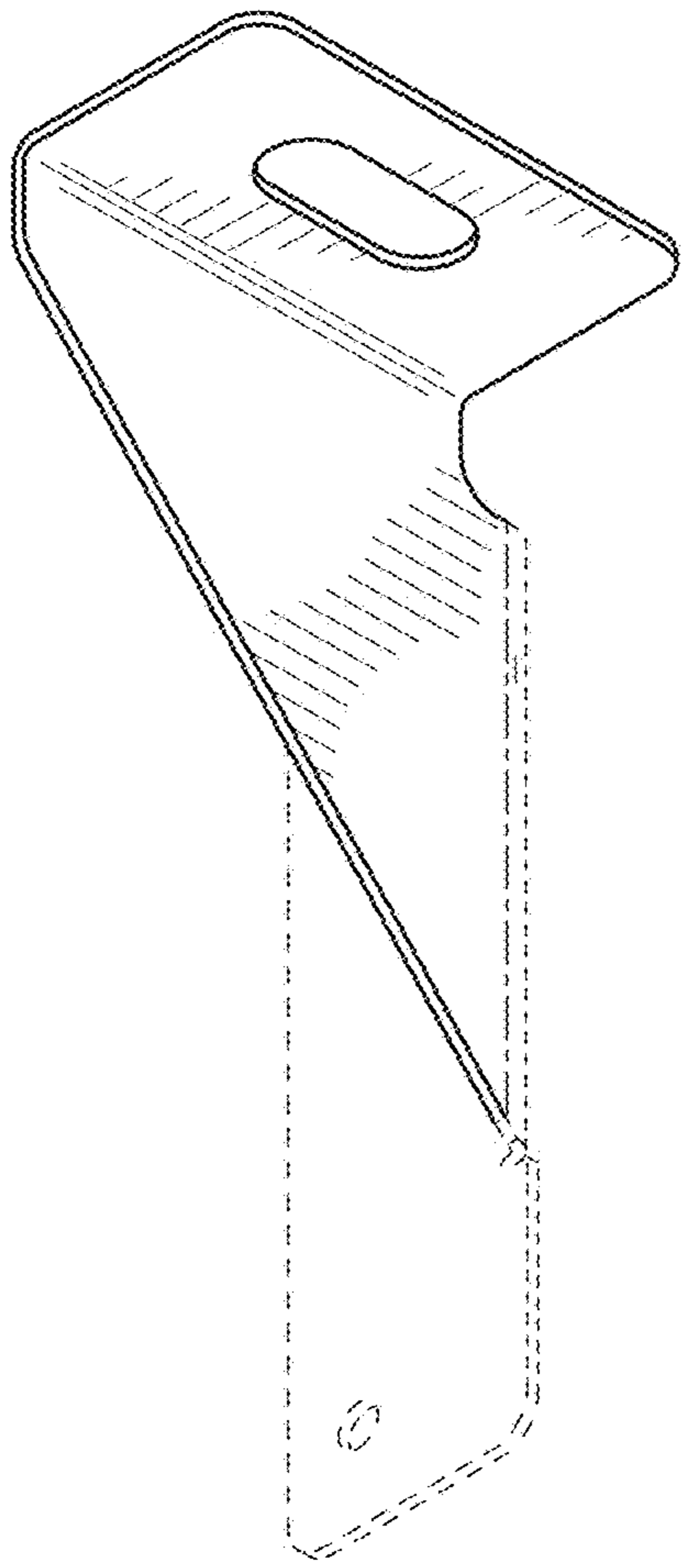


FIG. 1

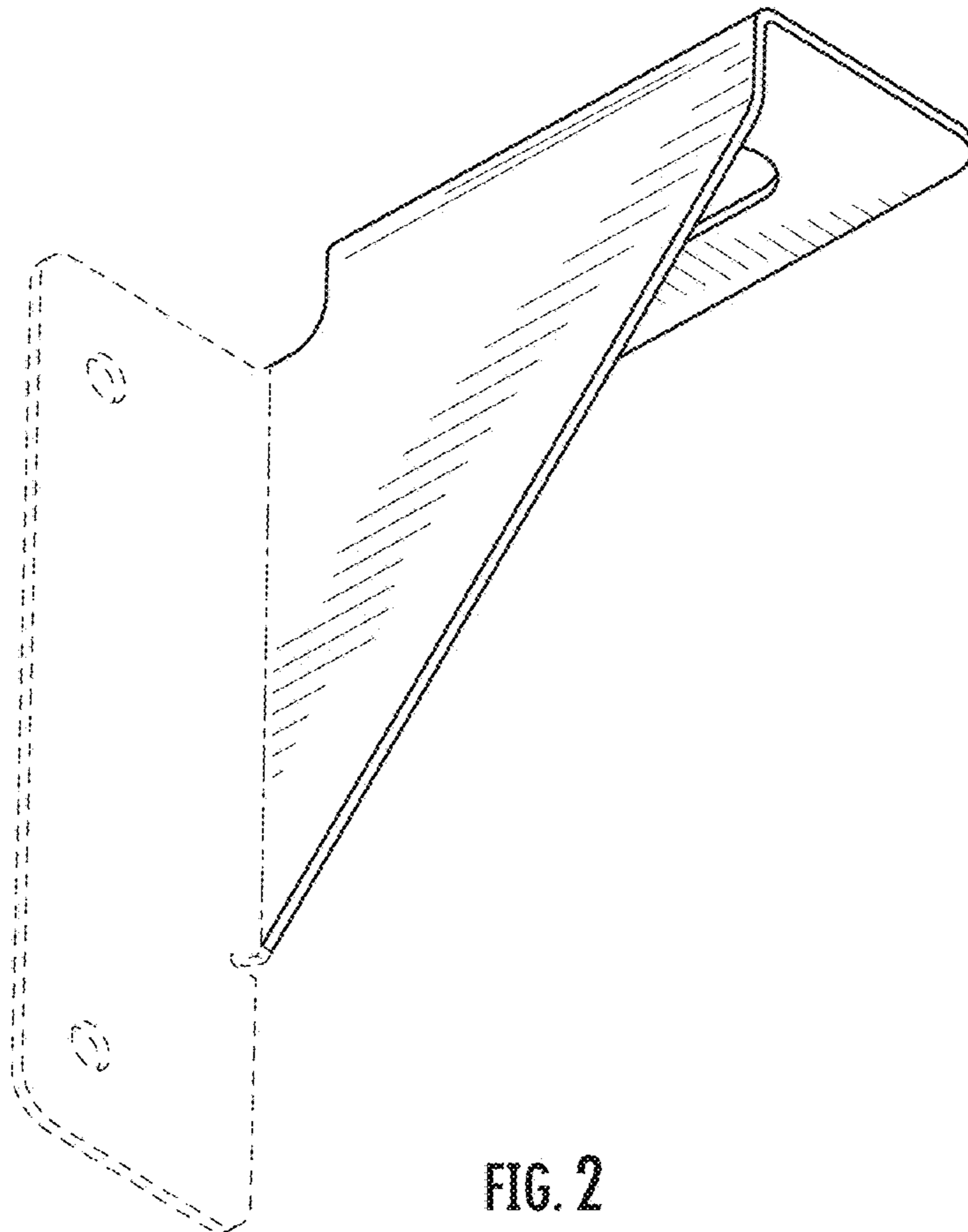


FIG. 2

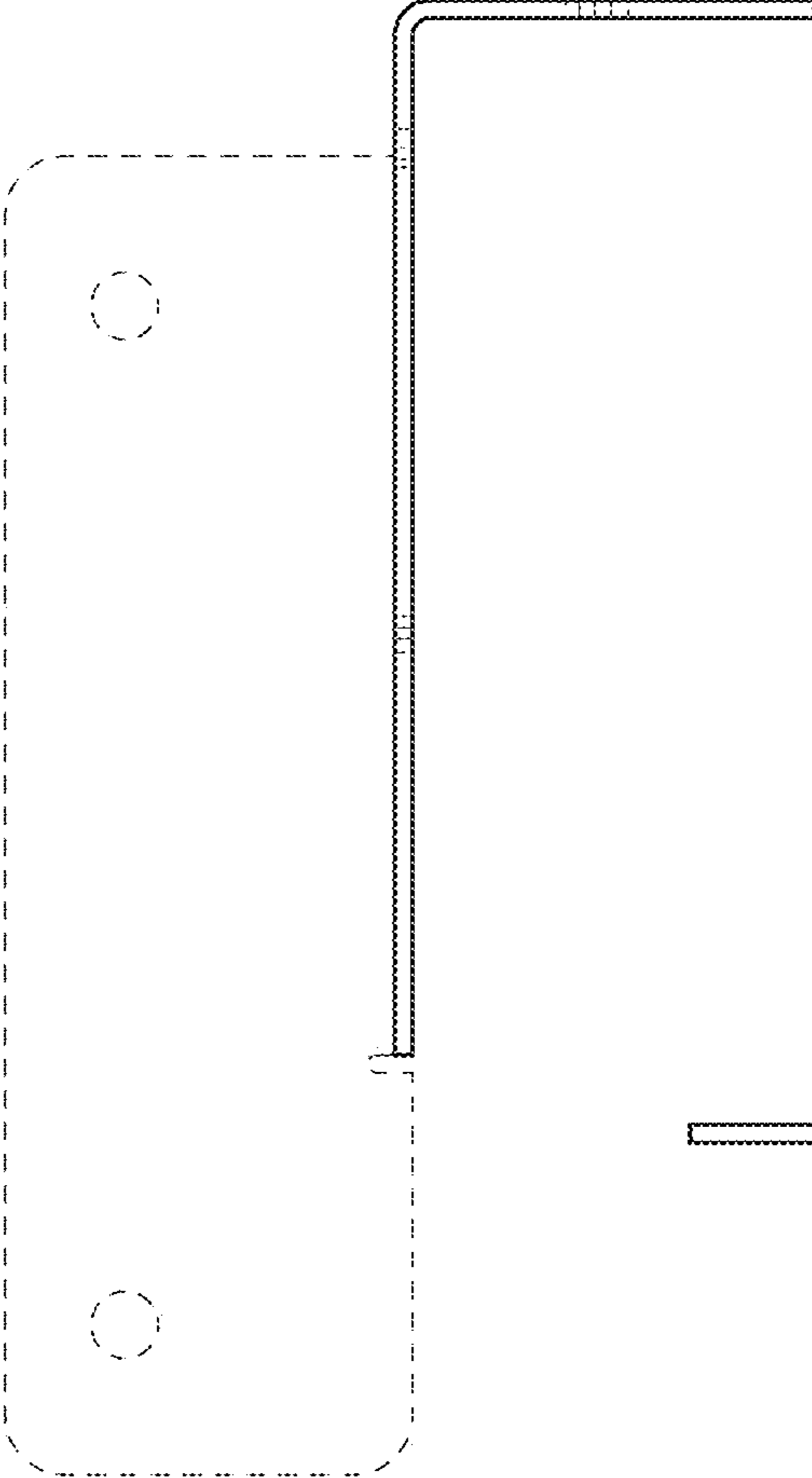


FIG. 3

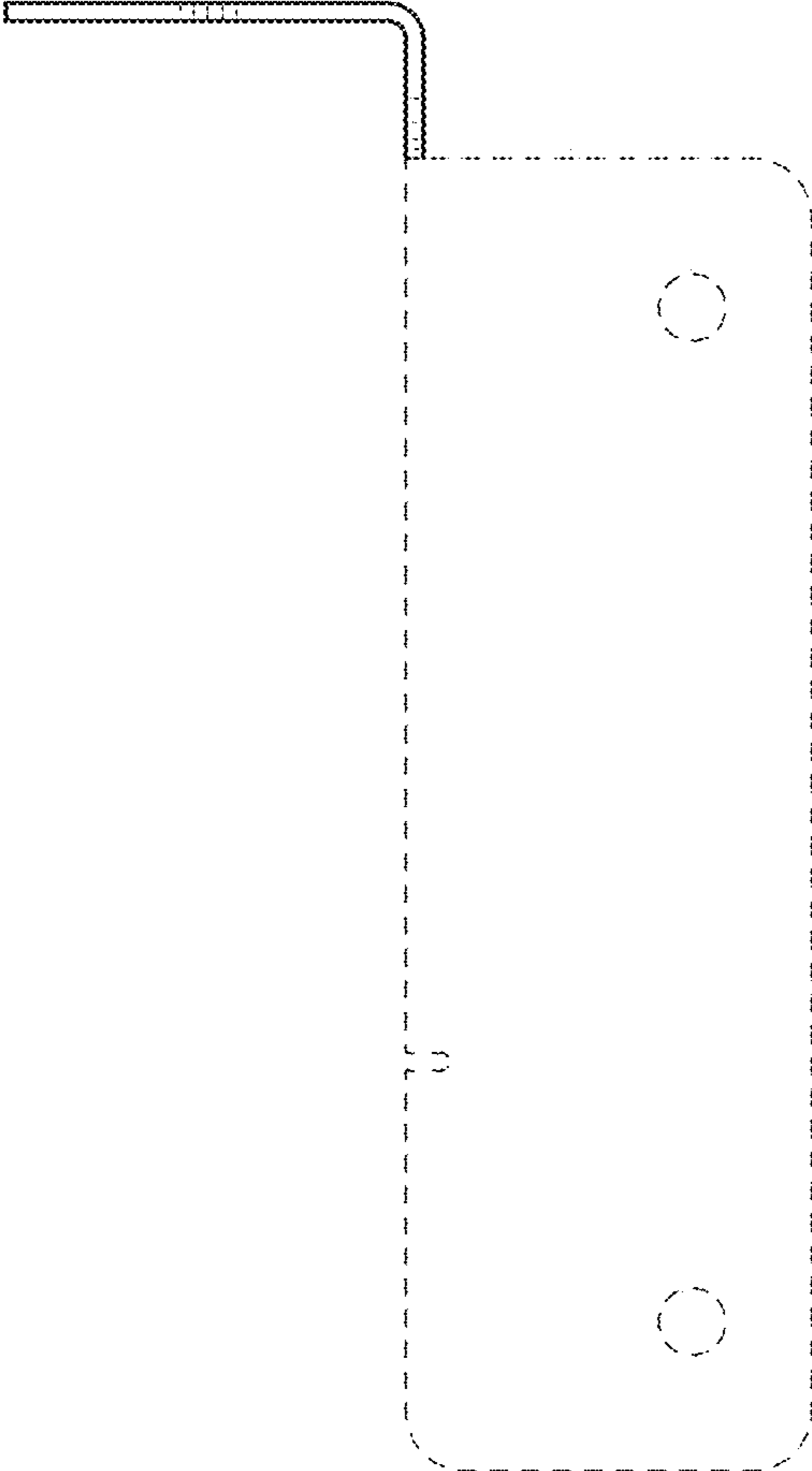


FIG. 4

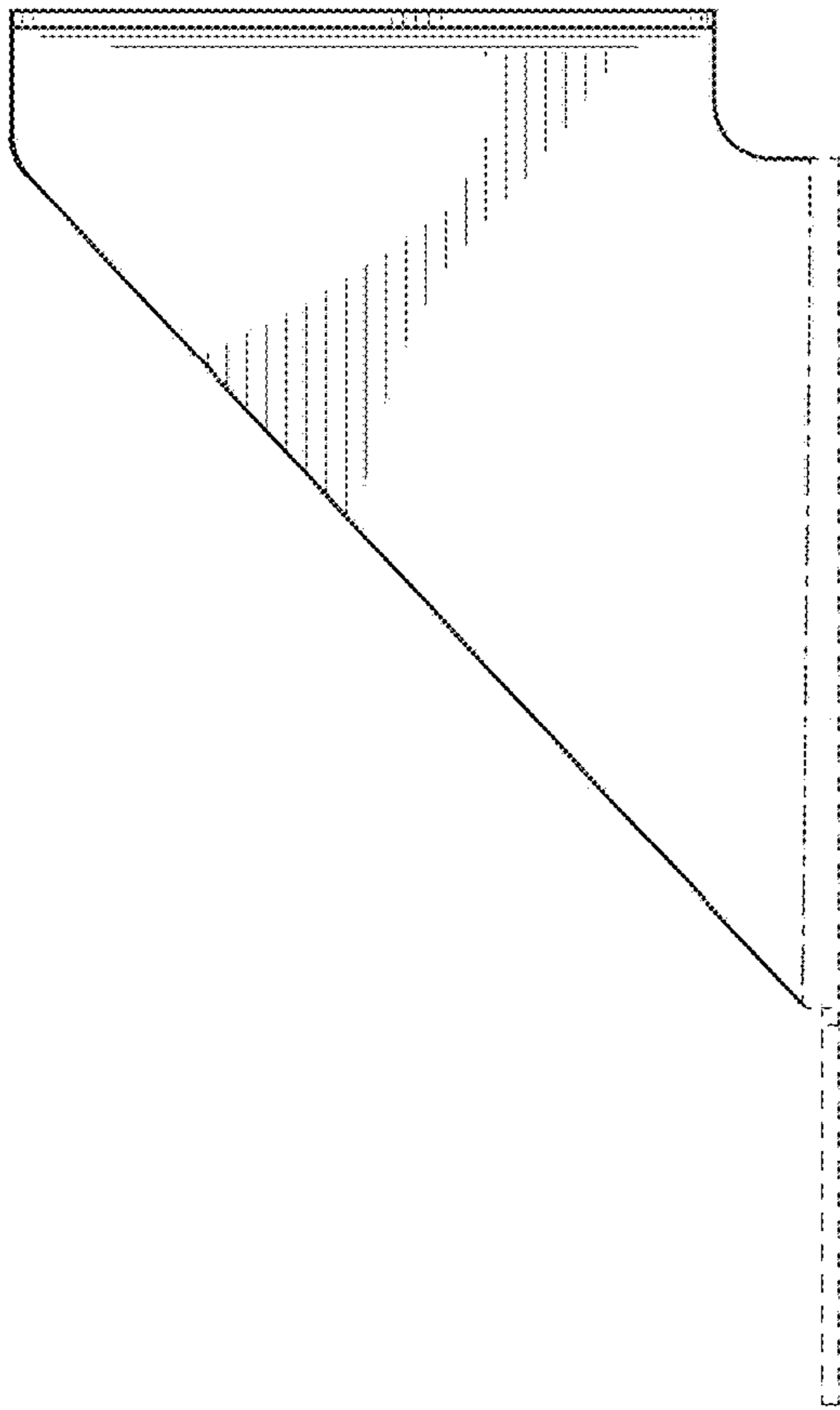


FIG. 5

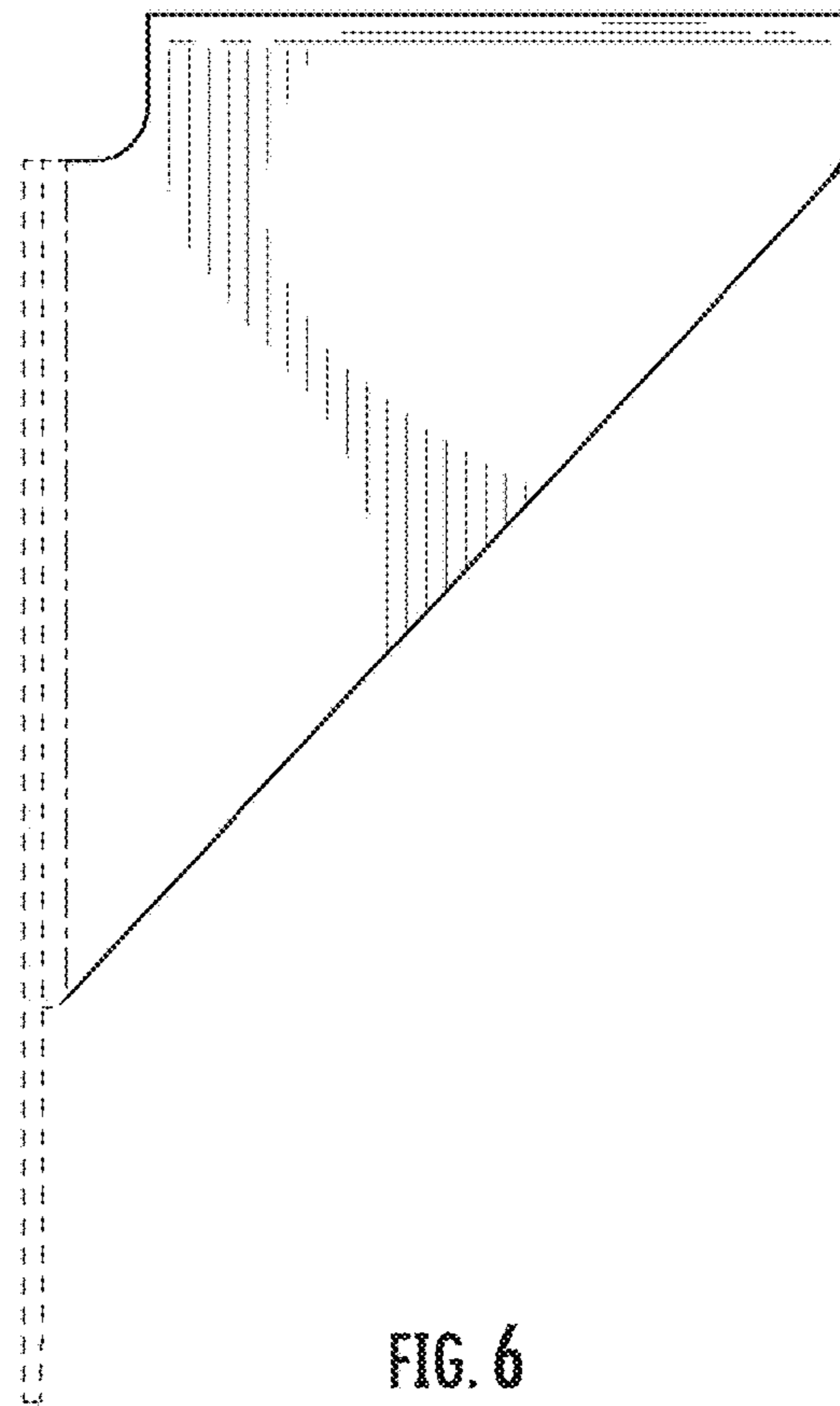


FIG. 6

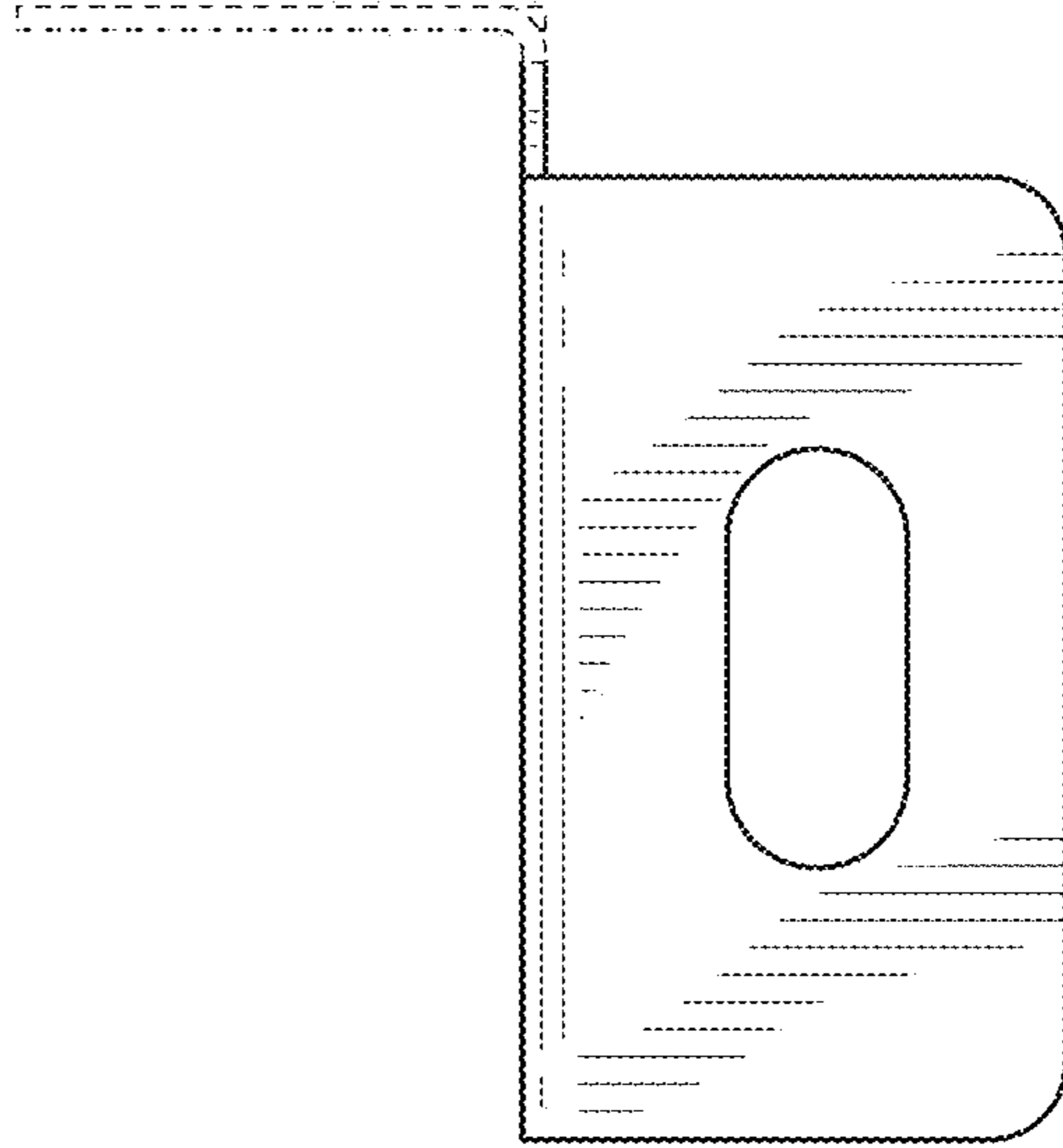


FIG. 7

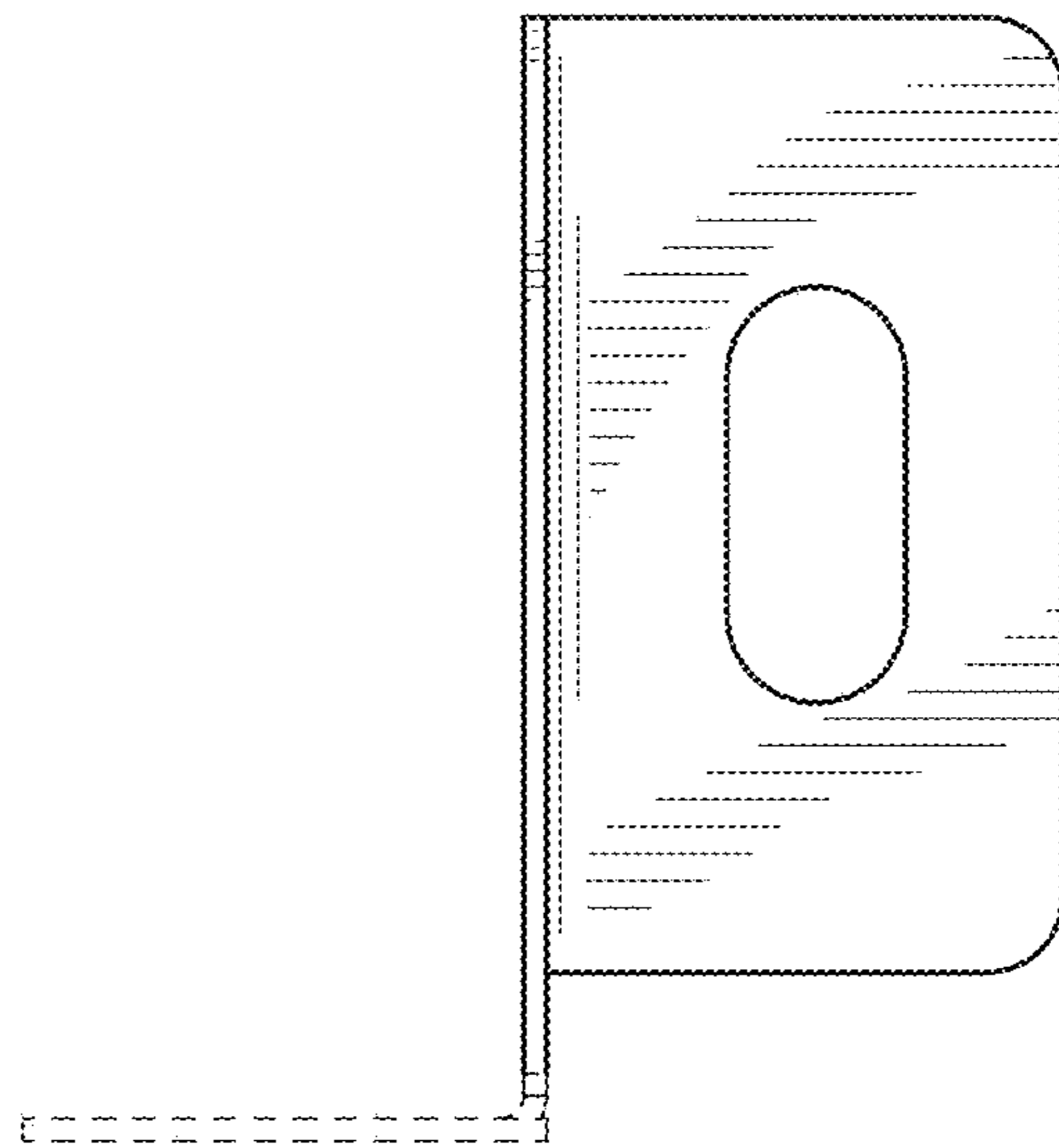


FIG. 8

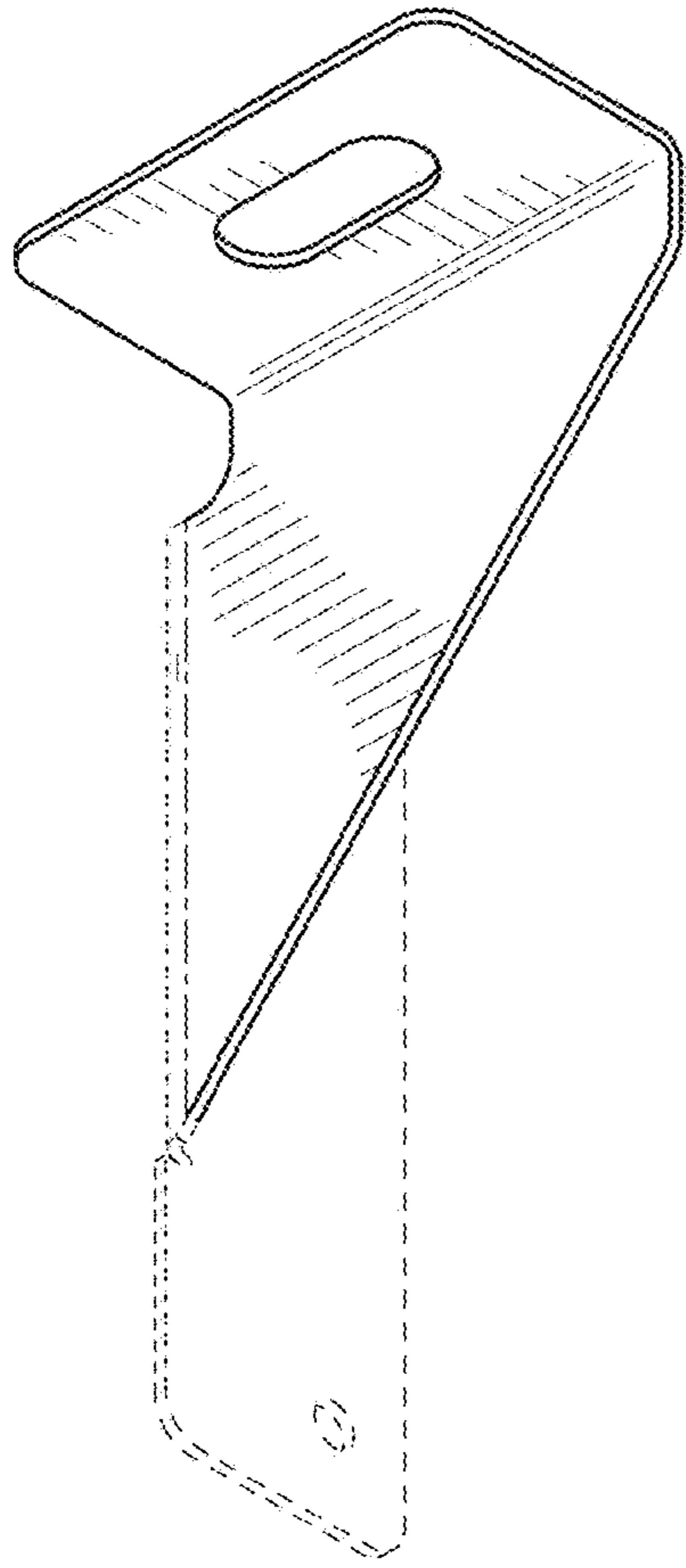


FIG. 9

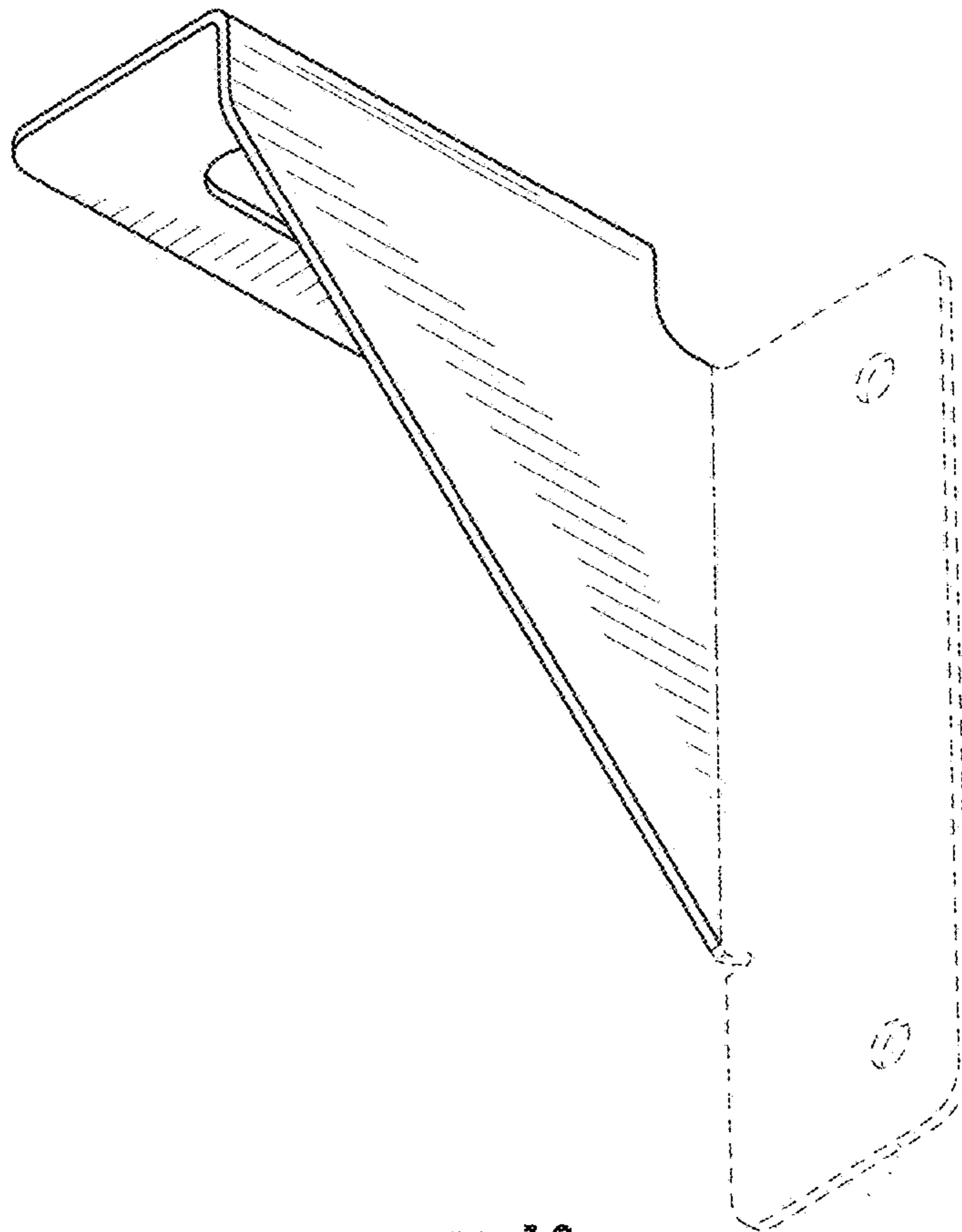


FIG. 10

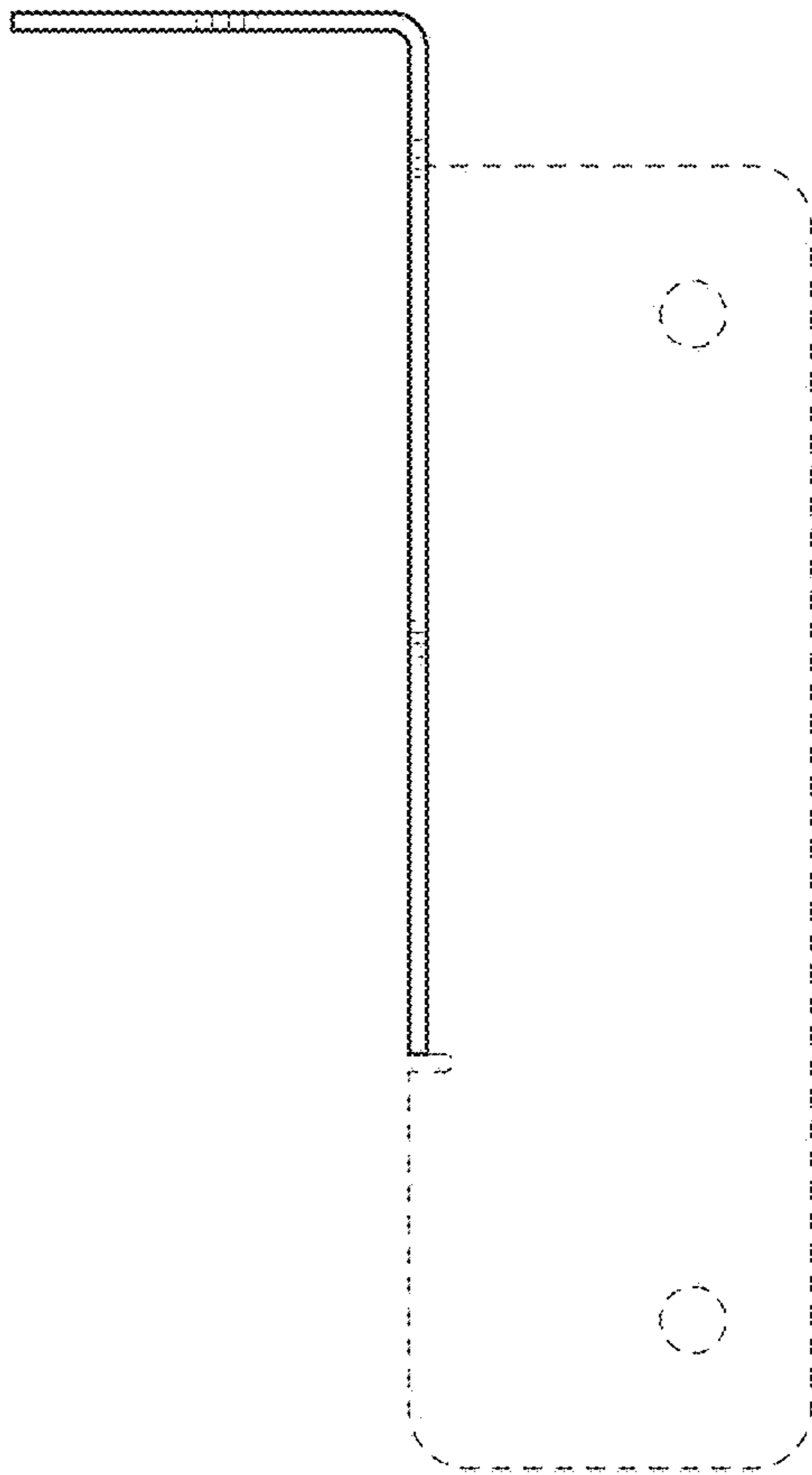


FIG. 11

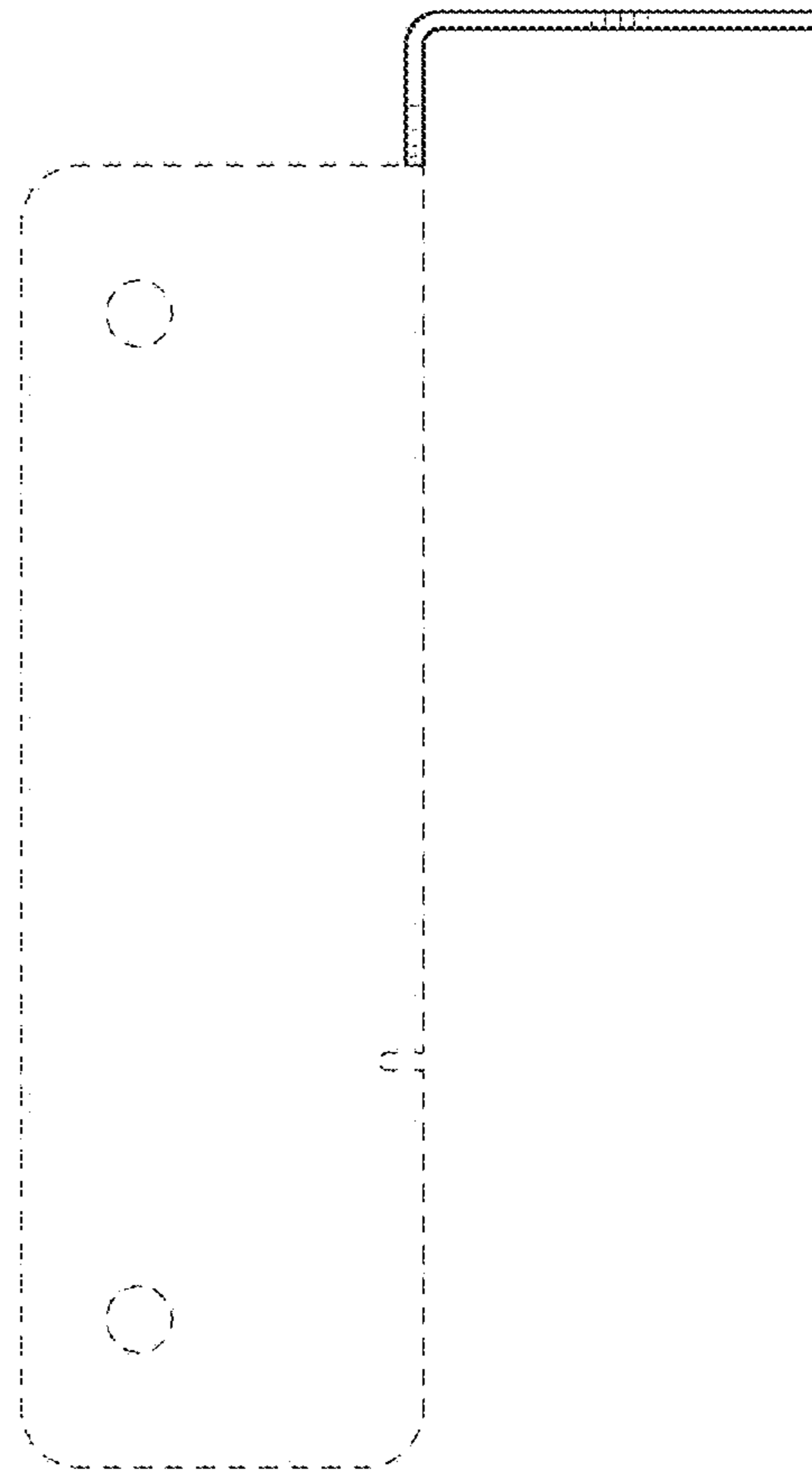


FIG. 12

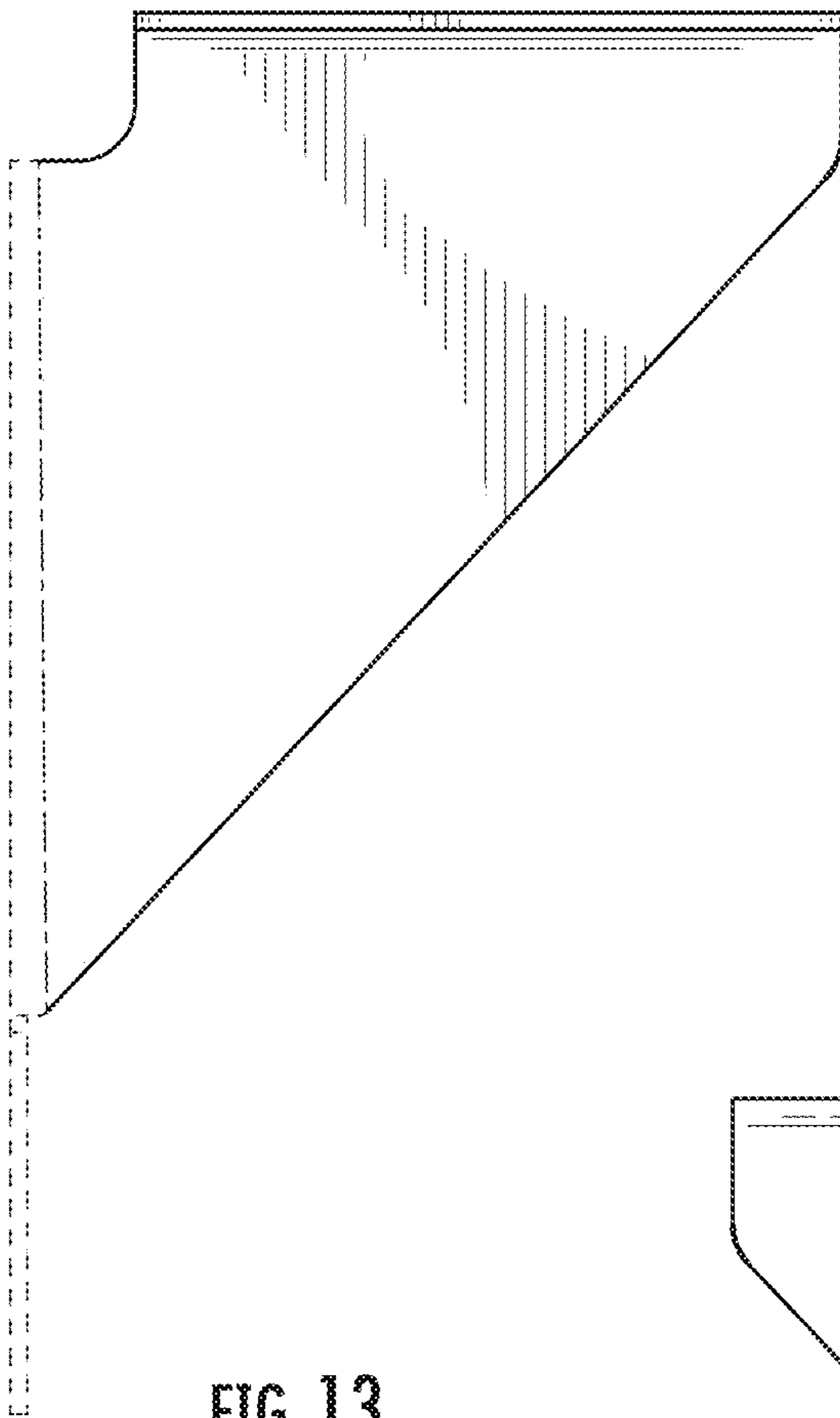


FIG. 13

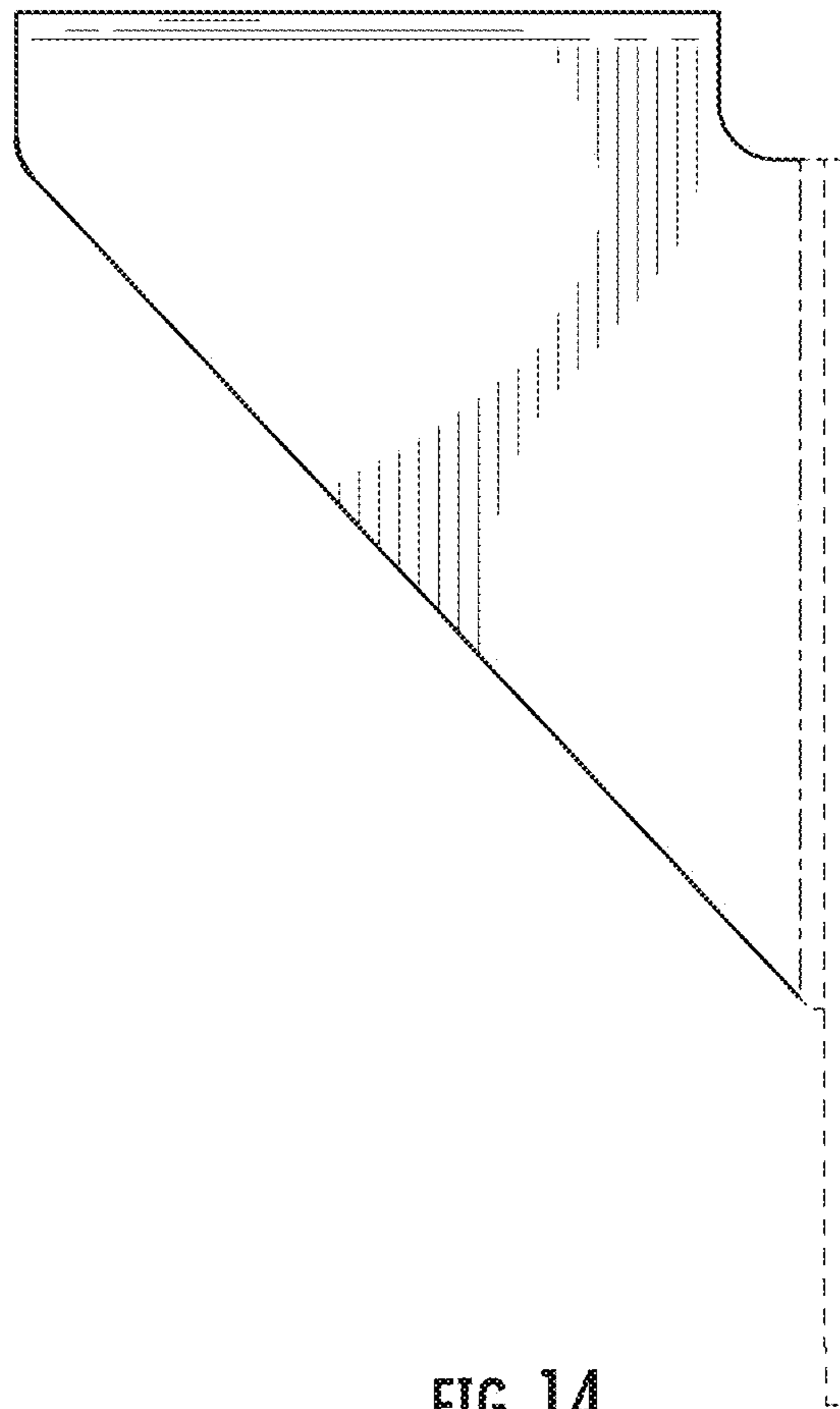


FIG. 14

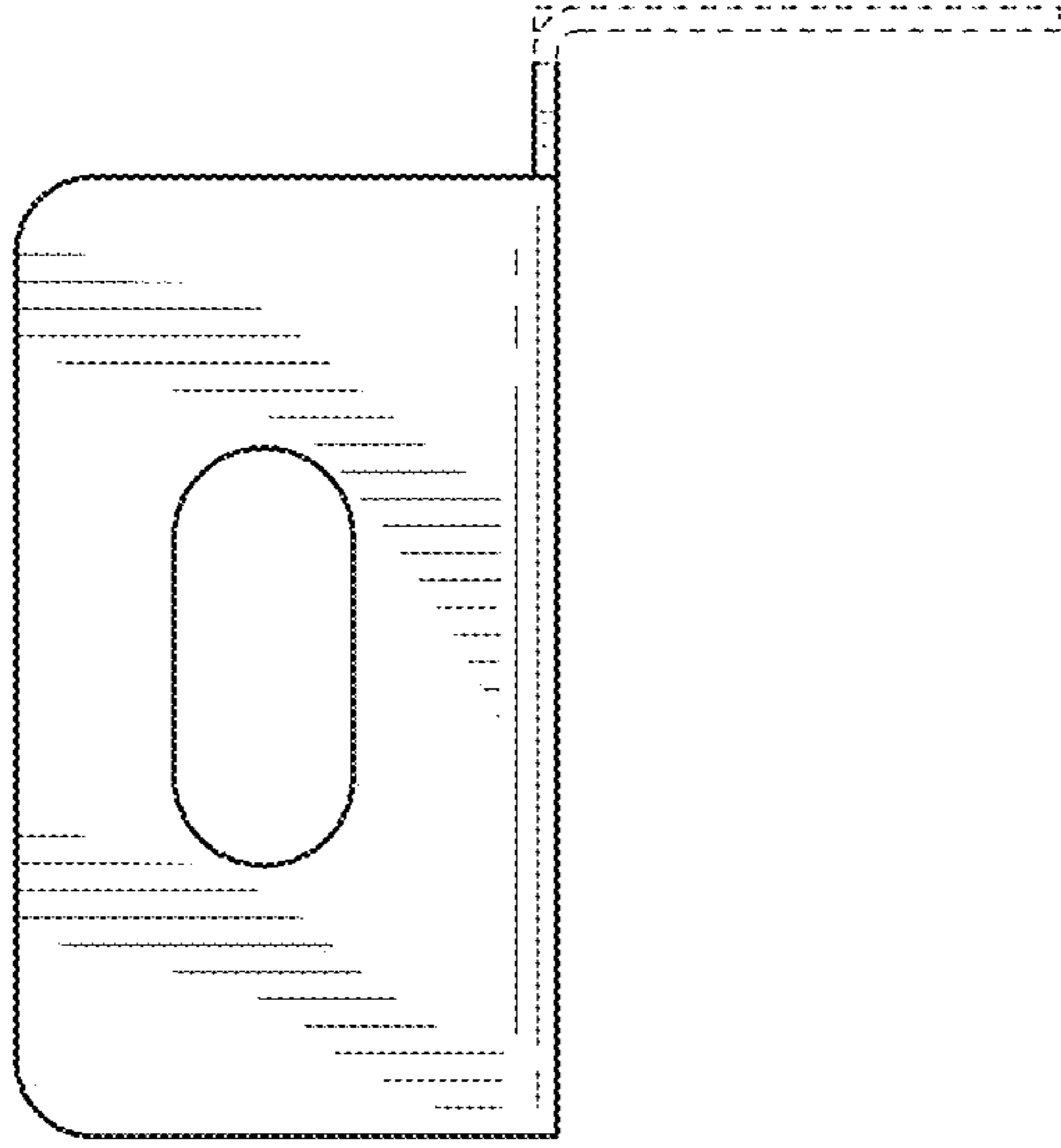


FIG. 15

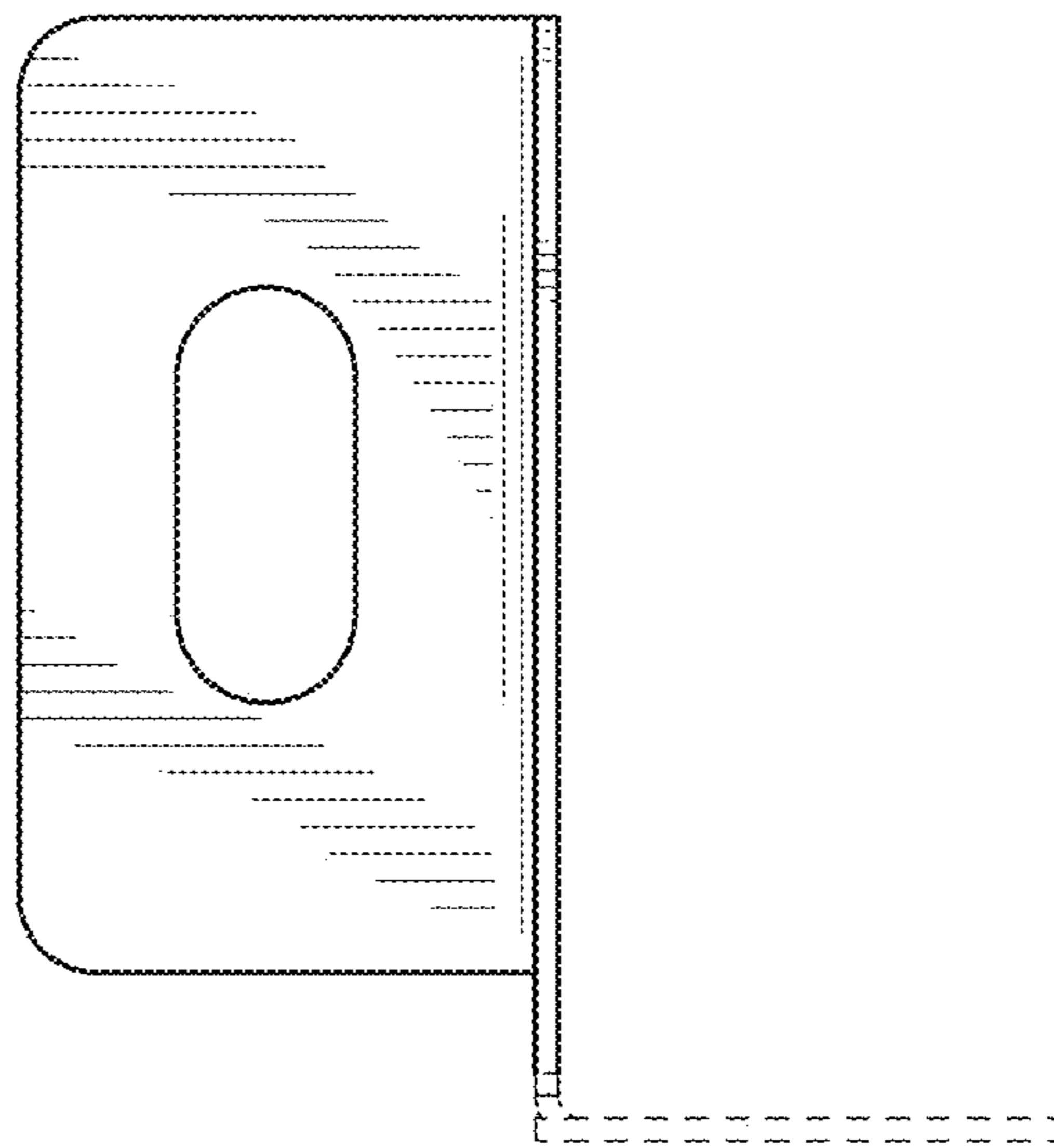


FIG. 16