



US00D855440S

(12) **United States Design Patent** (10) **Patent No.:** **US D855,440 S**
Schmonsees et al. (45) **Date of Patent:** **** Aug. 6, 2019**

(54) **DISTAL END OF MOUNTING BRACKET FOR DAS ANTENNA**

(71) Applicant: **BEAM WIRELESS, INC.**, Greenville, SC (US)

(72) Inventors: **Kevin Thomas Schmonsees**, Holly Springs, NC (US); **Steven James Heglar**, Apex, NC (US)

(73) Assignee: **BEAM WIRELESS, INC.**, Greenville, SC (US)

(**) Term: **15 Years**

(21) Appl. No.: **29/646,439**

(22) Filed: **May 4, 2018**

(51) **LOC (12) Cl.** **08-08**

(52) **U.S. Cl.**
USPC **D8/349**

(58) **Field of Classification Search**
USPC D6/672, 684, 680, 683.1, 703.5; D8/349, D8/354, 355, 330, 331, 333, 380, 382; D13/144, 154, 133, 129, 199; D22/125; D25/119, 164, 199, 139, 141; D26/138, D26/76, 78, 79, 80
CPC .. F16C 2314/72; F16C 29/0623; F16C 29/06; F16C 29/0609; F16C 29/005; F16C 29/008; F16C 29/04; F16C 29/0657; F16C 29/004; F16C 29/12; A47B 1/10; A47B 88/493; A47B 88/423; A47B 2088/4235; B44C 5/02
See application file for complete search history.

(56) **References Cited**

U.S. PATENT DOCUMENTS

D31,083 S * 6/1899 Seng D8/394
D214,383 S * 6/1969 Johnson D8/371

4,570,403 A * 2/1986 Dannemiller E04B 1/0007 52/295
D442,469 S * 5/2001 Roozen D8/354
D656,079 S * 3/2012 Dales D12/223
D689,045 S * 9/2013 Mardas D14/253
9,091,056 B2 * 7/2015 Stauffer E04B 1/40
D788,951 S * 6/2017 Lopez D25/199
D819,434 S * 6/2018 Sonneman D8/394
D822,453 S * 7/2018 Kanter D8/354
D822,454 S * 7/2018 Kanter D8/354
D823,093 S * 7/2018 Kanter D8/354
D829,533 S * 10/2018 Kanter D8/354
D833,851 S * 11/2018 Kanter D8/354
2008/0271407 A1 * 11/2008 Snider E04D 13/12 52/745.06

* cited by examiner

Primary Examiner — Mark A Goodwin

Assistant Examiner — Benjamin M Weeks

(74) *Attorney, Agent, or Firm* — JK Intellectual Property Law, PA

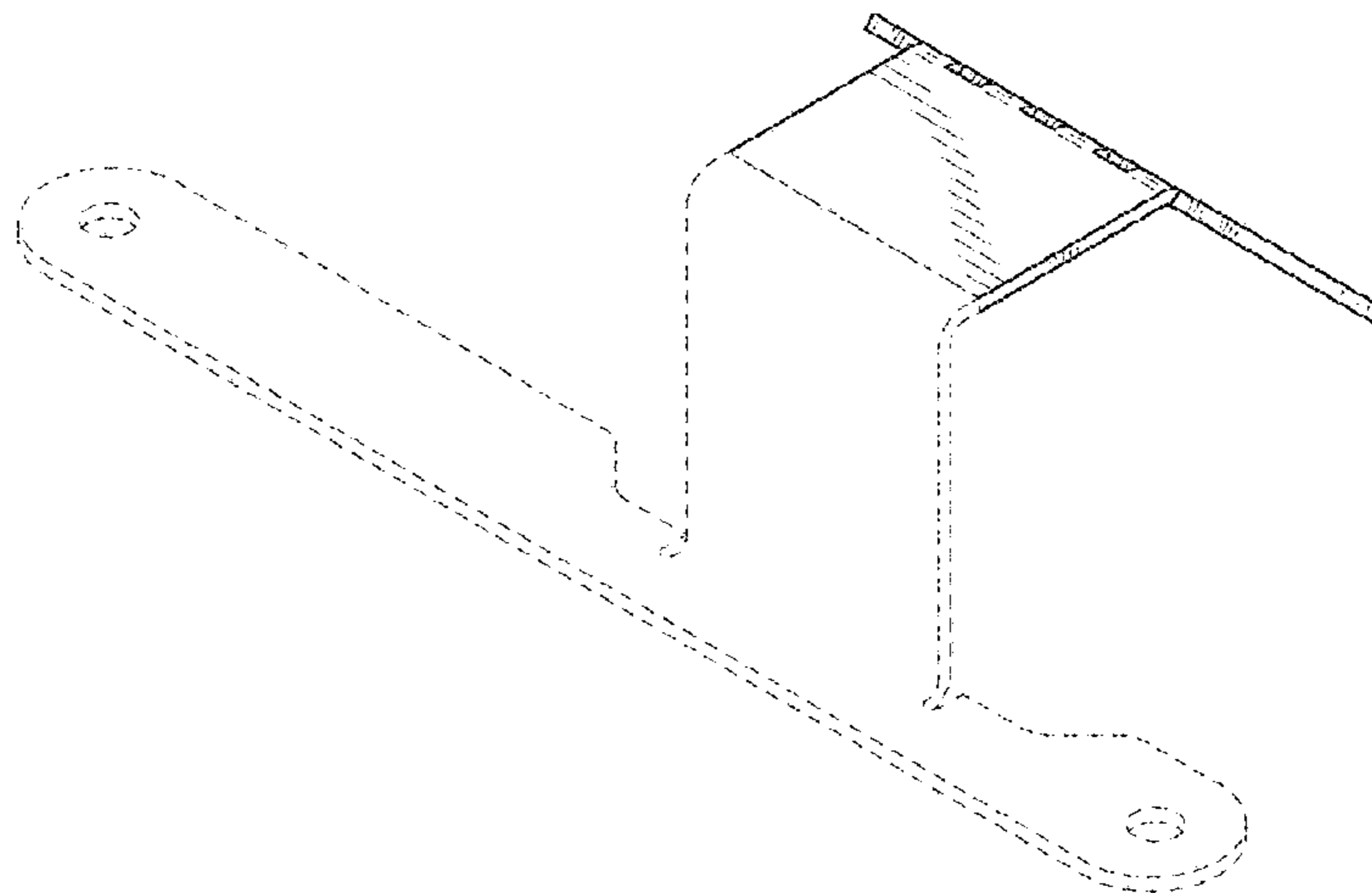
(57) **CLAIM**

The ornamental design for a distal end of mounting bracket for DAS antenna, as shown and described.

DESCRIPTION

FIG. 1 is an isometric right front side view of a distal end of mounting bracket for DAS antenna according to the present design;
FIG. 2 is an isometric left front side view thereof;
FIG. 3 is a top view thereof;
FIG. 4 is a bottom view thereof;
FIG. 5 is a front view thereof;
FIG. 6 is a bottom view thereof;
FIG. 7 is a right side view thereof; and,
FIG. 8 is a left side view thereof.
Elements shown in dotted lines are environmental structure that form no part of the claimed design.

1 Claim, 4 Drawing Sheets



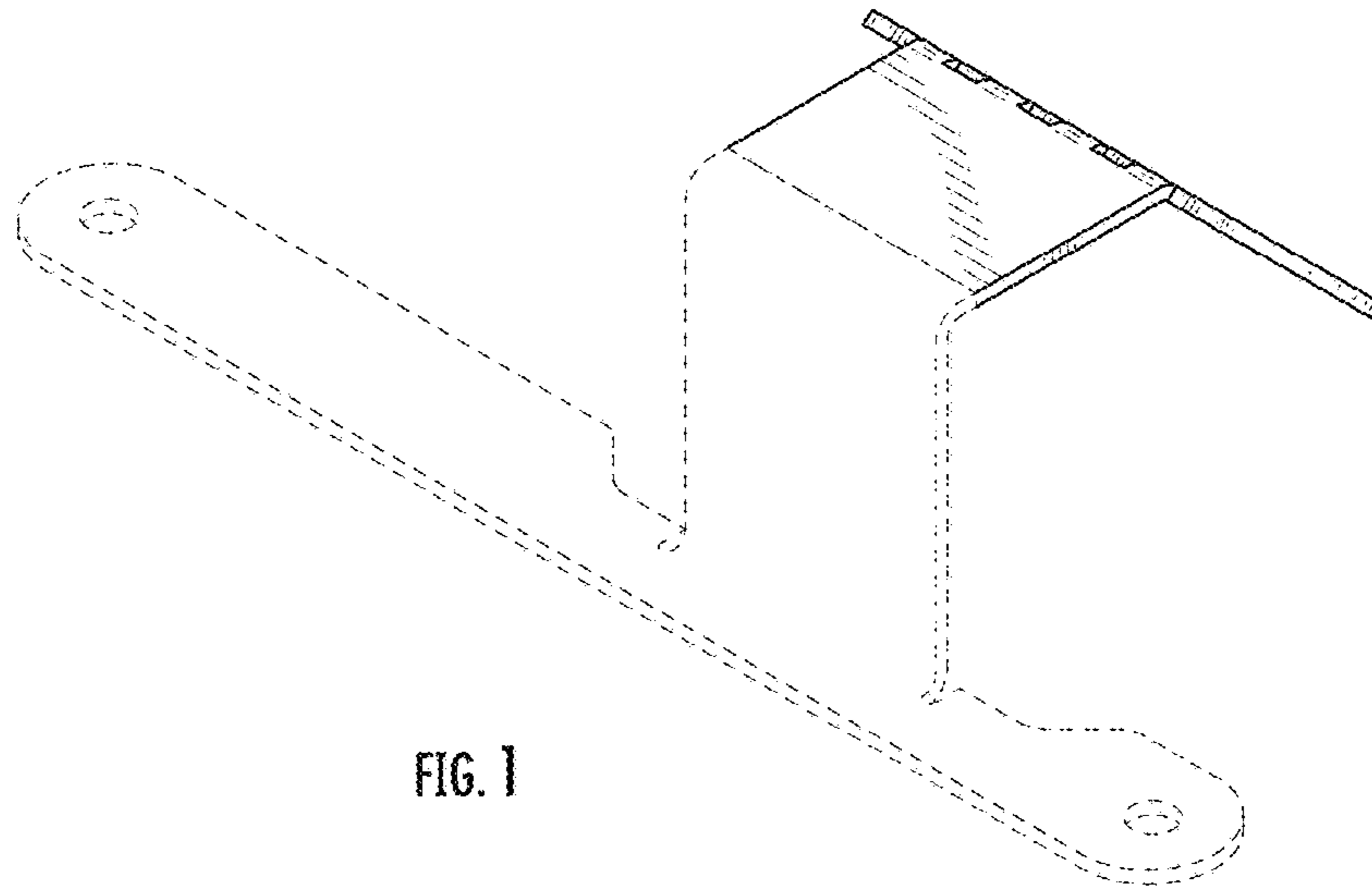


FIG. 1

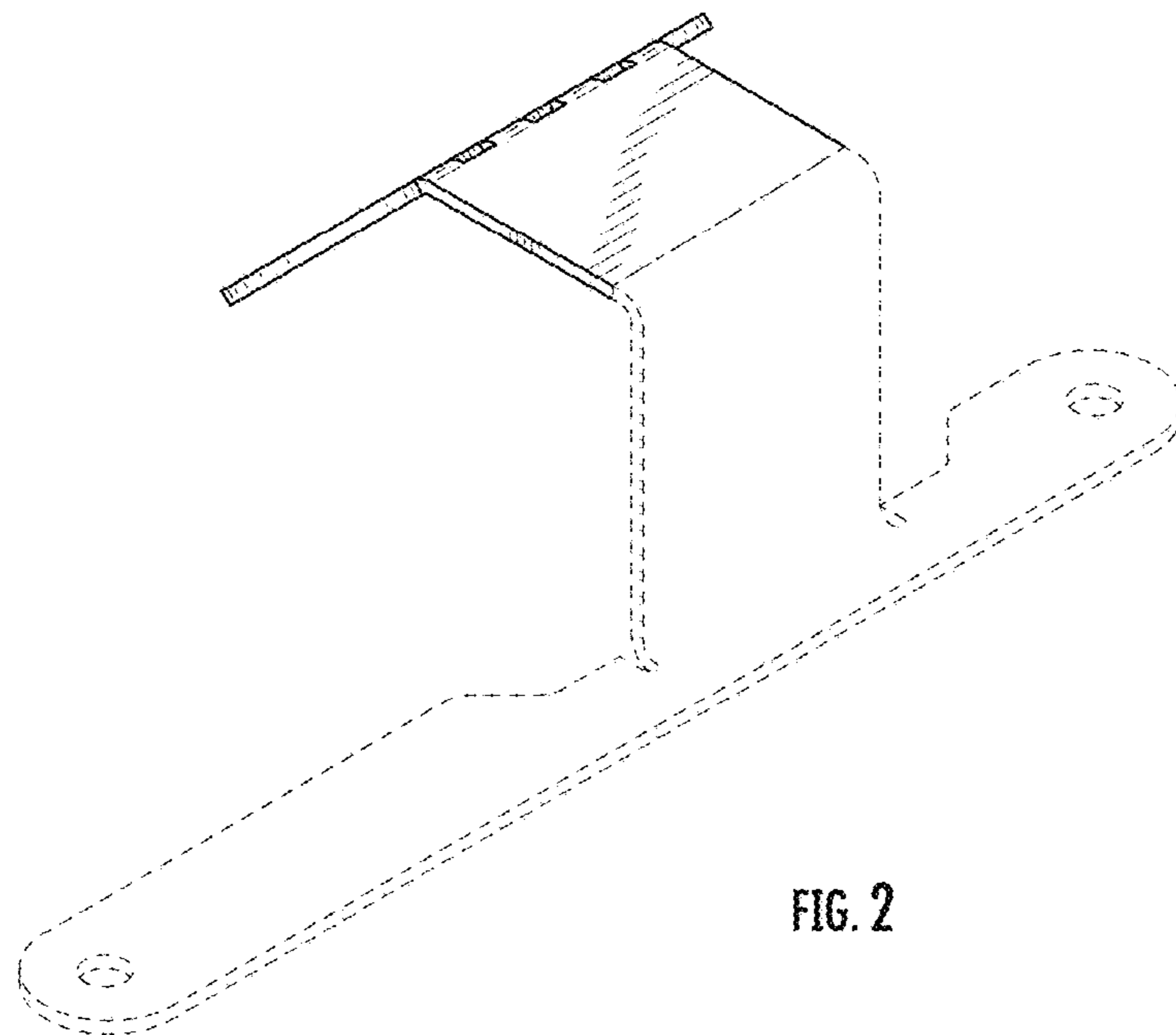


FIG. 2

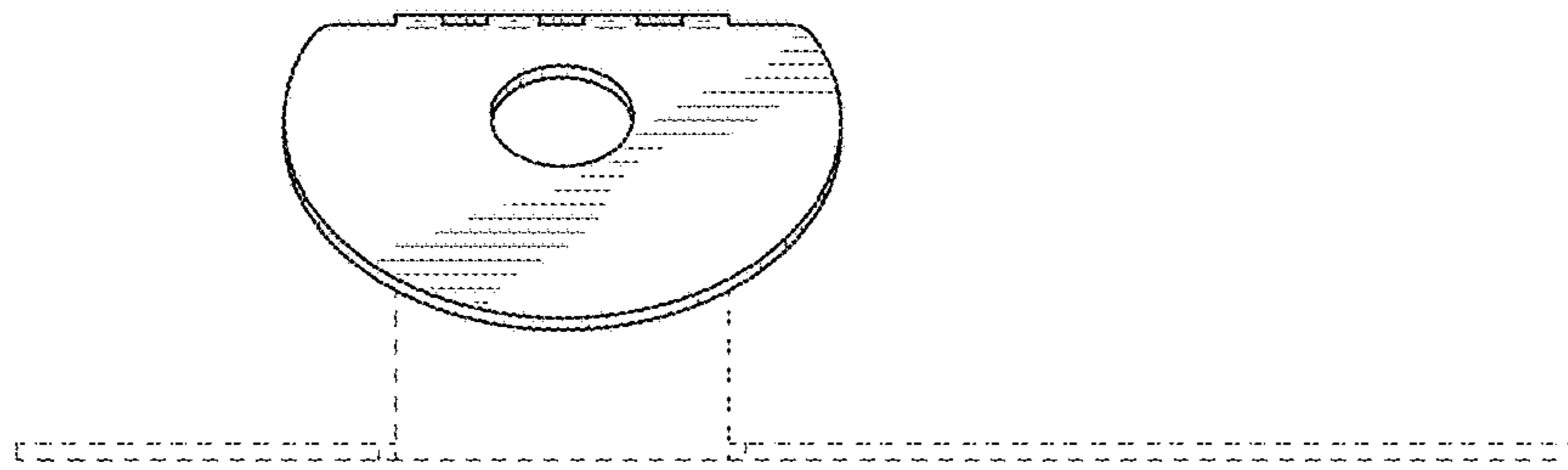


FIG. 3

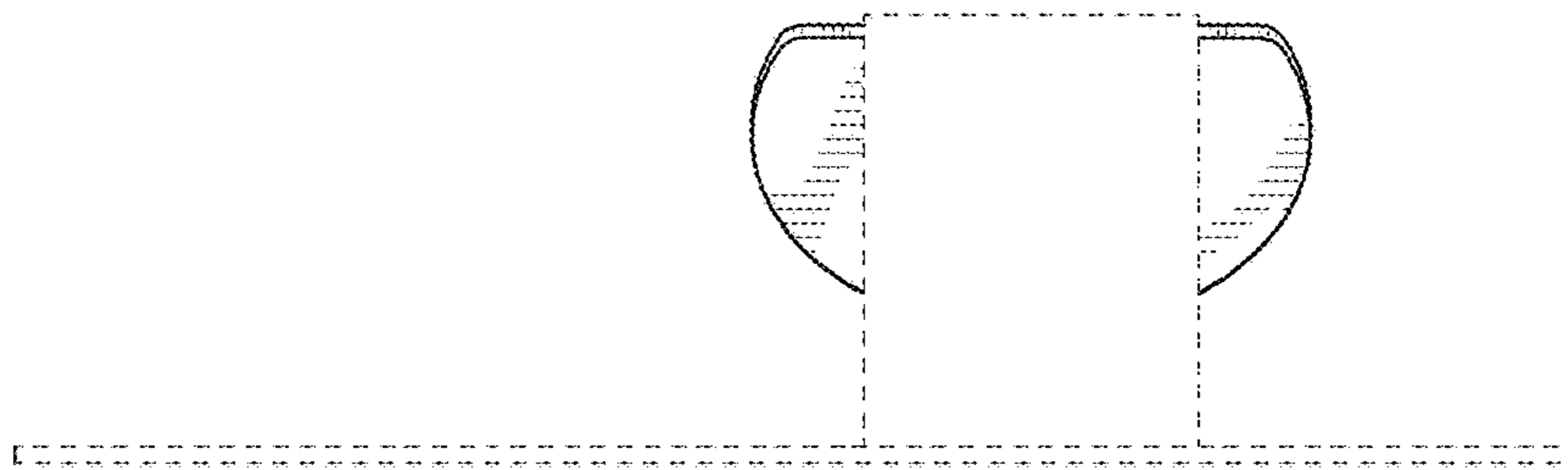


FIG. 4

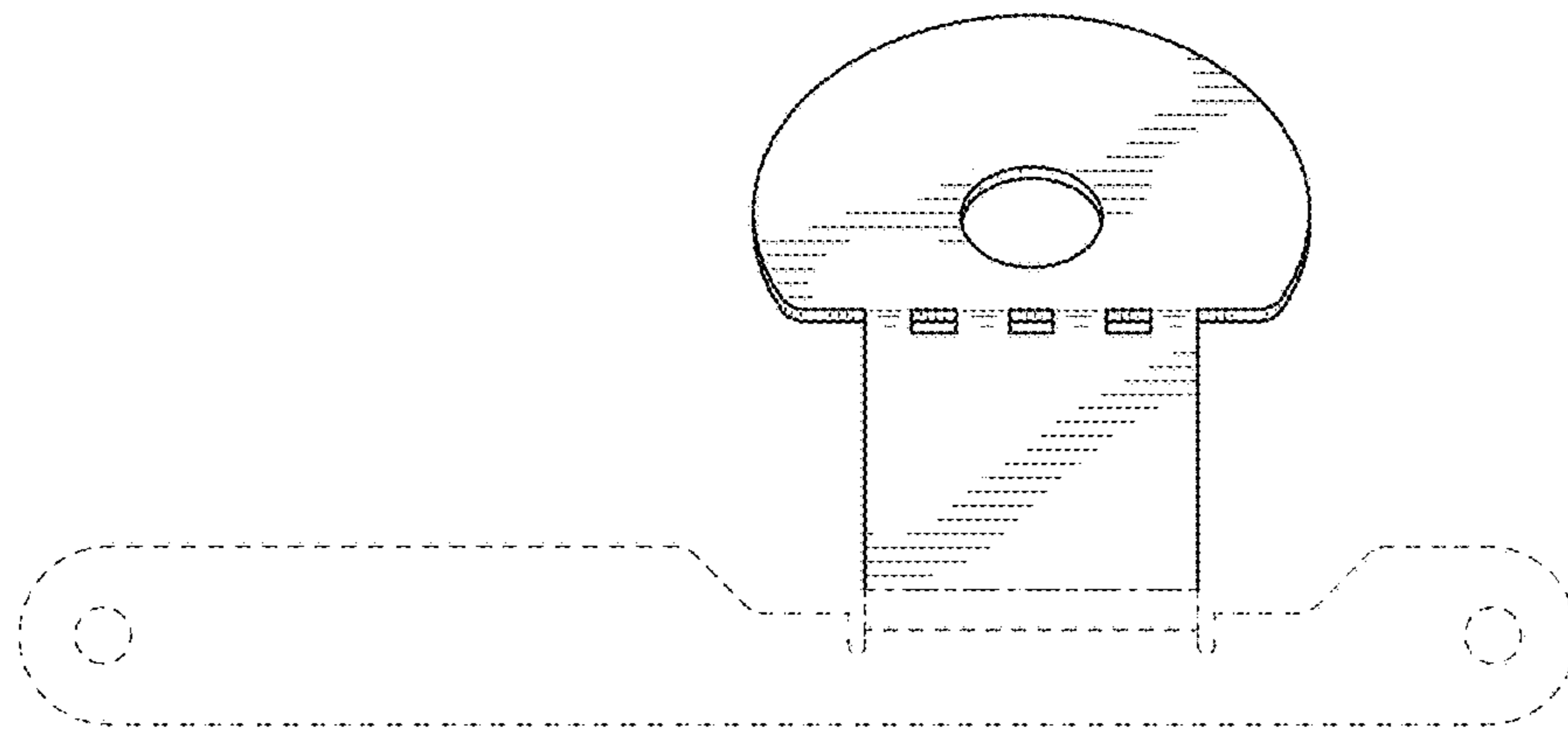


FIG. 5

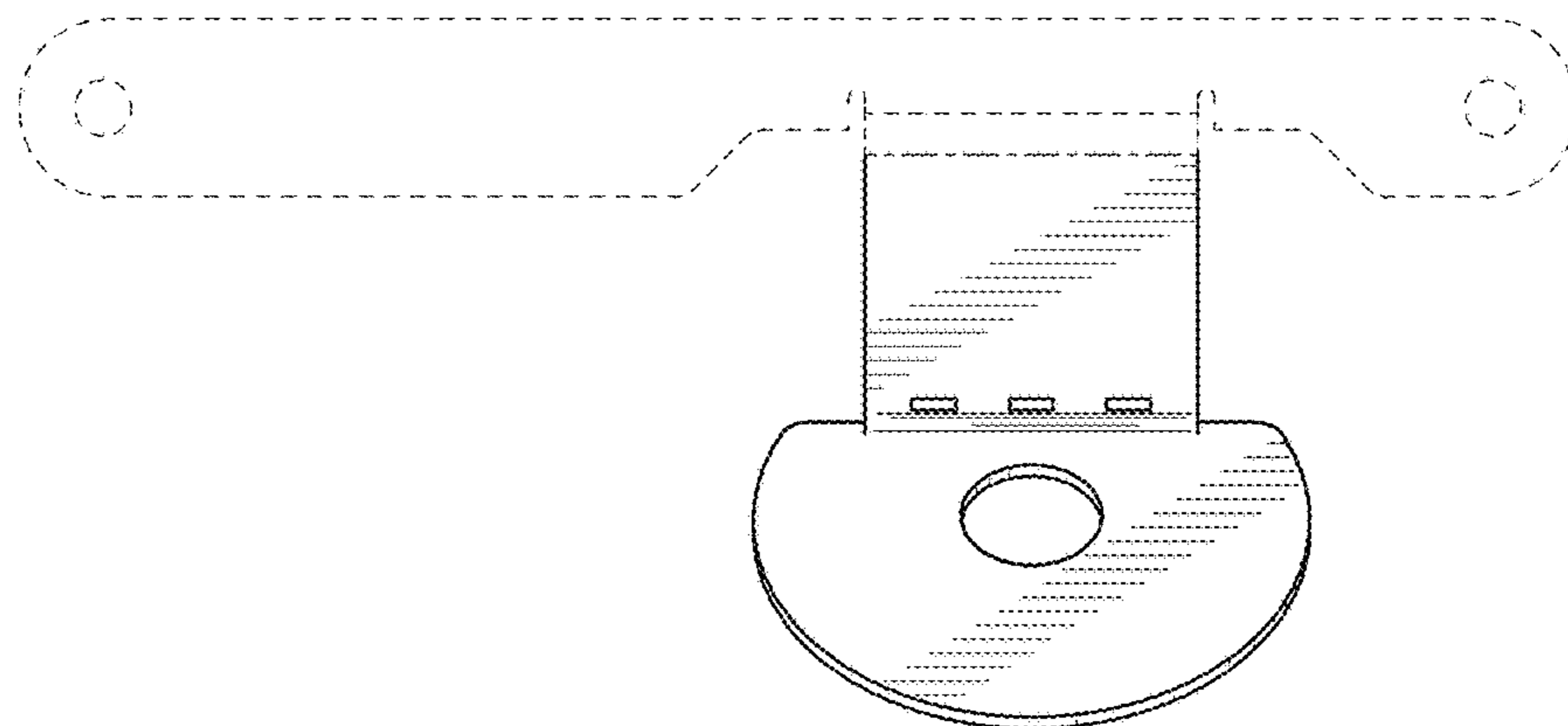


FIG. 6

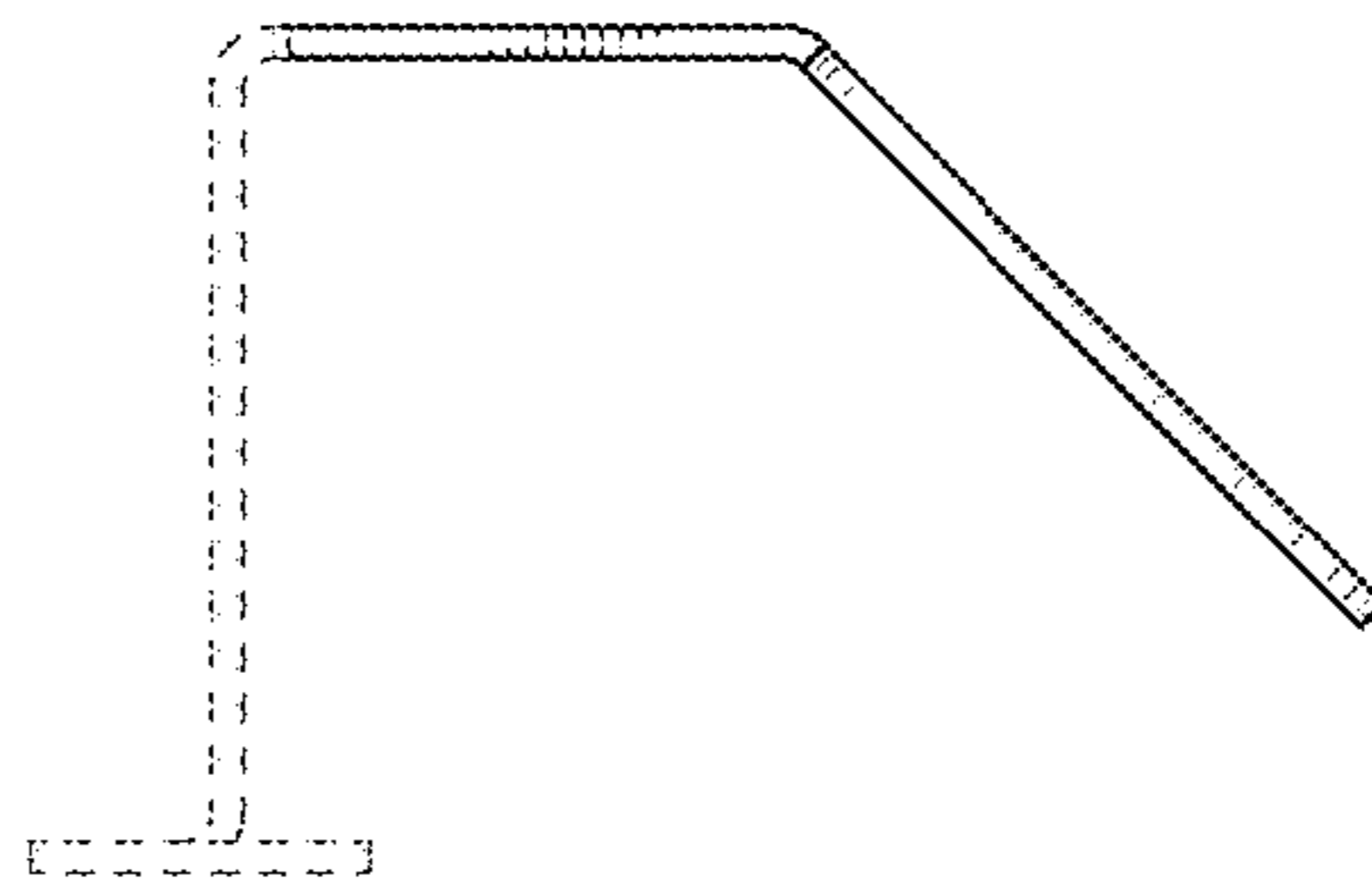


FIG. 7

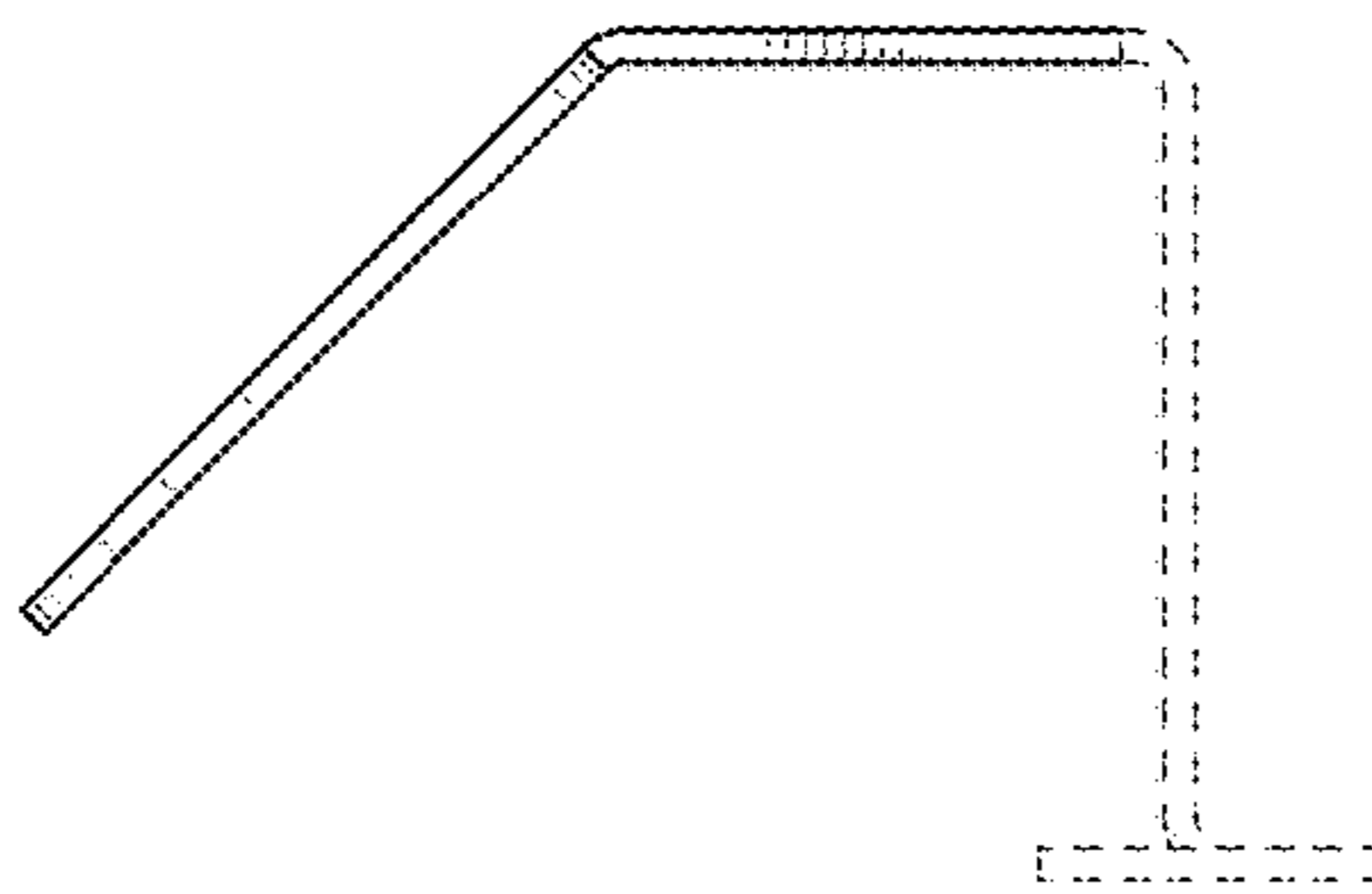


FIG. 8