



US00D855439S

(12) **United States Design Patent**
Schmonsees et al.

(10) **Patent No.:** **US D855,439 S**

(45) **Date of Patent:** **** Aug. 6, 2019**

(54) **MOUNTING BRACKET FOR DAS ANTENNA**

(71) Applicant: **BEAM WIRELESS, INC.**, Greenville, SC (US)

(72) Inventors: **Kevin Thomas Schmonsees**, Holly Springs, NC (US); **Steven James Heglar**, Apex, NC (US)

(73) Assignee: **BEAM WIRELESS, INC.**, Greenville, SC (US)

(**) Term: **15 Years**

(21) Appl. No.: **29/646,437**

(22) Filed: **May 4, 2018**

(51) **LOC (12) Cl.** **08-08**

(52) **U.S. Cl.**
USPC **D8/349**

(58) **Field of Classification Search**
USPC D6/672, 684, 680, 683.1, 703.5; D8/349, D8/354, 355, 330, 331, 333, 380, 382; D13/144, 154, 133, 129, 199; D22/125; D25/119, 164, 199, 139, 141; D26/138, D26/76, 78, 79, 80
CPC .. F16C 2314/72; F16C 29/0623; F16C 29/06; F16C 29/0609; F16C 29/005; F16C 29/008; F16C 29/04; F16C 29/0657; F16C 29/004; F16C 29/12; A47B 1/10; A47B 88/493; A47B 88/423; A47B 2088/4235; B44C 5/02
See application file for complete search history.

(56) **References Cited**

U.S. PATENT DOCUMENTS

D31,280 S * 7/1899 Arnold D26/138
D268,314 S * 3/1983 Smith D8/349

D422,483 S * 4/2000 Shea D8/354
6,655,096 B1 * 12/2003 Pryor E04B 7/045
52/712
D618,085 S * 6/2010 Lin D8/354
D656,079 S * 3/2012 Dales D12/223
D709,361 S * 7/2014 Caldwell D8/403
D768,470 S * 10/2016 Noturno D8/382
D774,874 S * 12/2016 Wentzel D8/349
D815,515 S * 4/2018 White D8/380
D819,427 S * 6/2018 Mercaldi D8/354
2011/0197522 A1 * 8/2011 Noturno E04B 1/2608
52/92.2

* cited by examiner

Primary Examiner — Mark A Goodwin

Assistant Examiner — Benjamin M Weeks

(74) *Attorney, Agent, or Firm* — JK Intellectual Property Law, PA

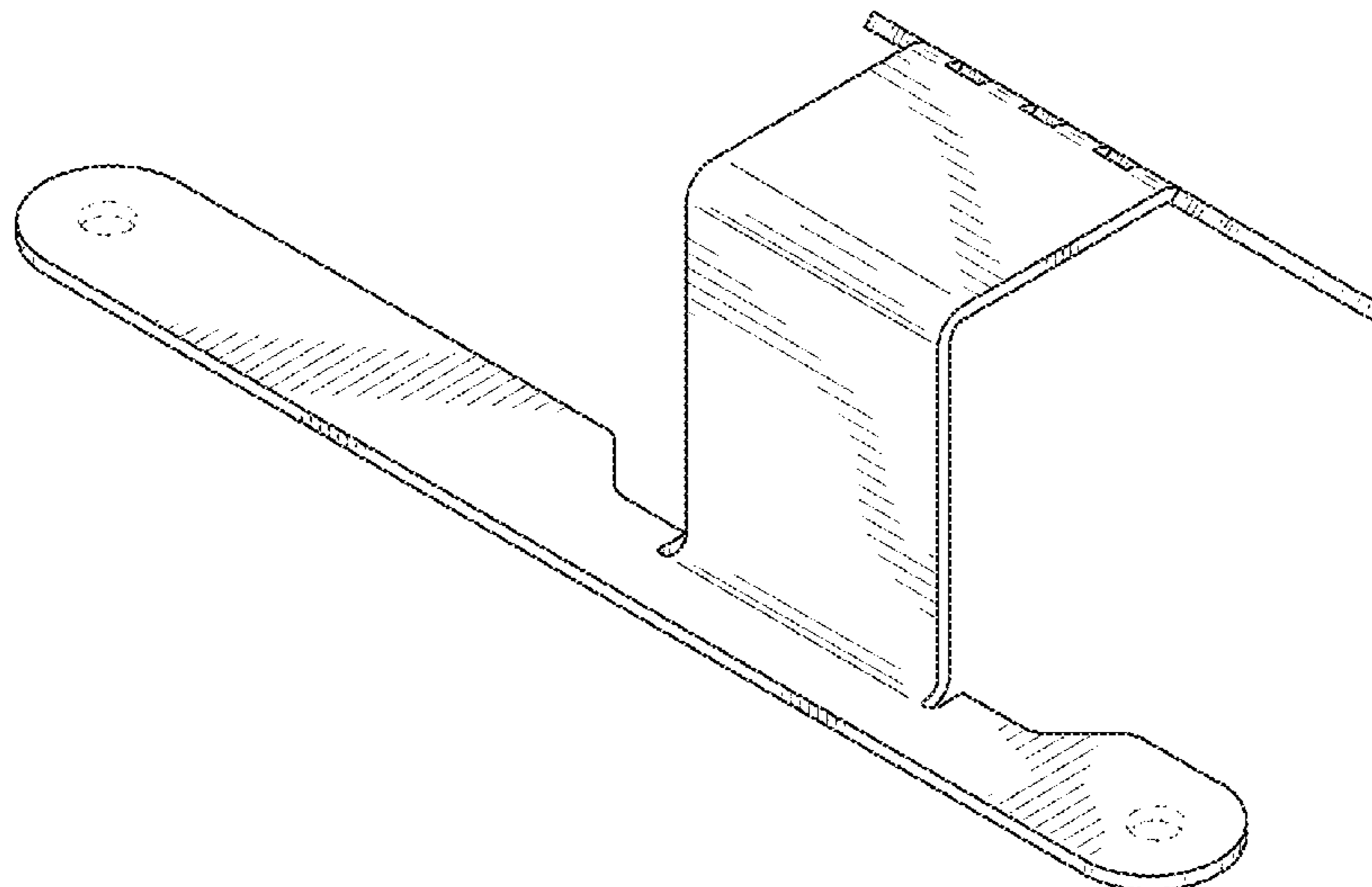
(57) **CLAIM**

The ornamental design for a mounting bracket for a DAS antenna, as shown and described.

DESCRIPTION

FIG. 1 is an isometric right front side view of a mounting bracket for DAS antenna according to the present design; FIG. 2 is an isometric left front side view thereof; FIG. 3 is a top view thereof; FIG. 4 is a bottom view thereof; FIG. 5 is a front view thereof; FIG. 6 is a bottom view thereof; FIG. 7 is a right side view thereof; and, FIG. 8 is a left side view thereof. Elements shown in dotted lines are environmental structure that form no part of the claimed design.

1 Claim, 4 Drawing Sheets



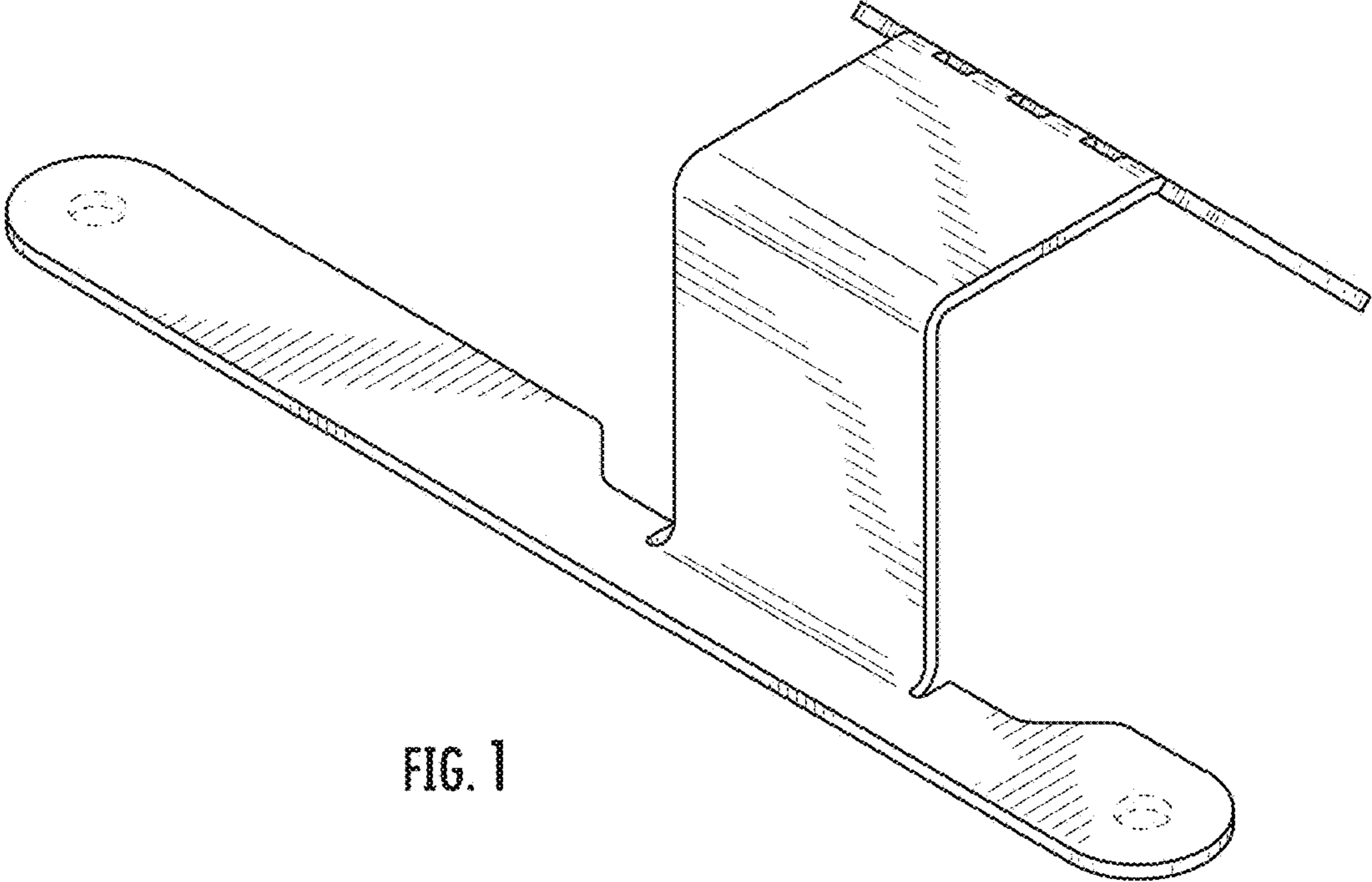


FIG. 1

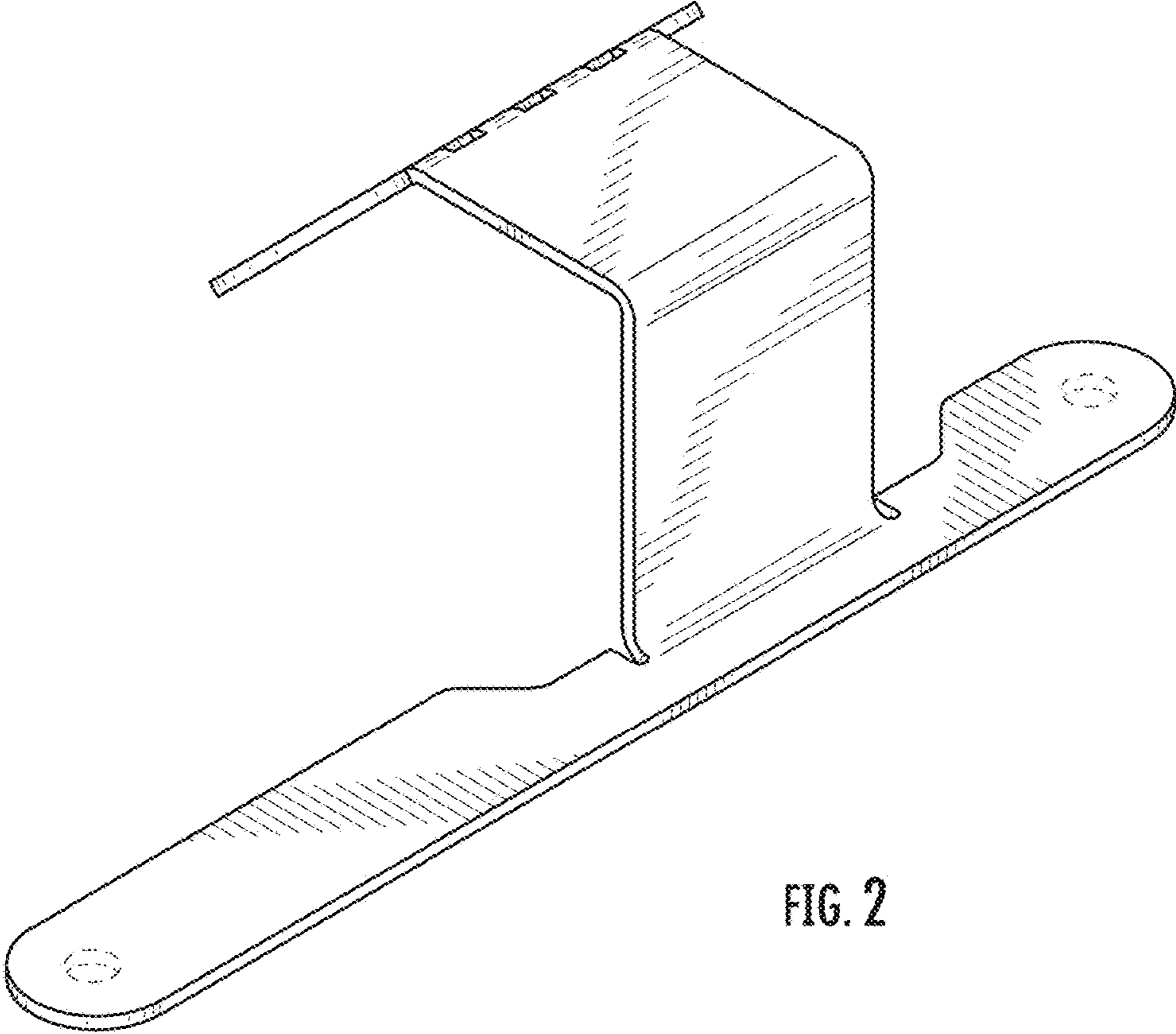


FIG. 2

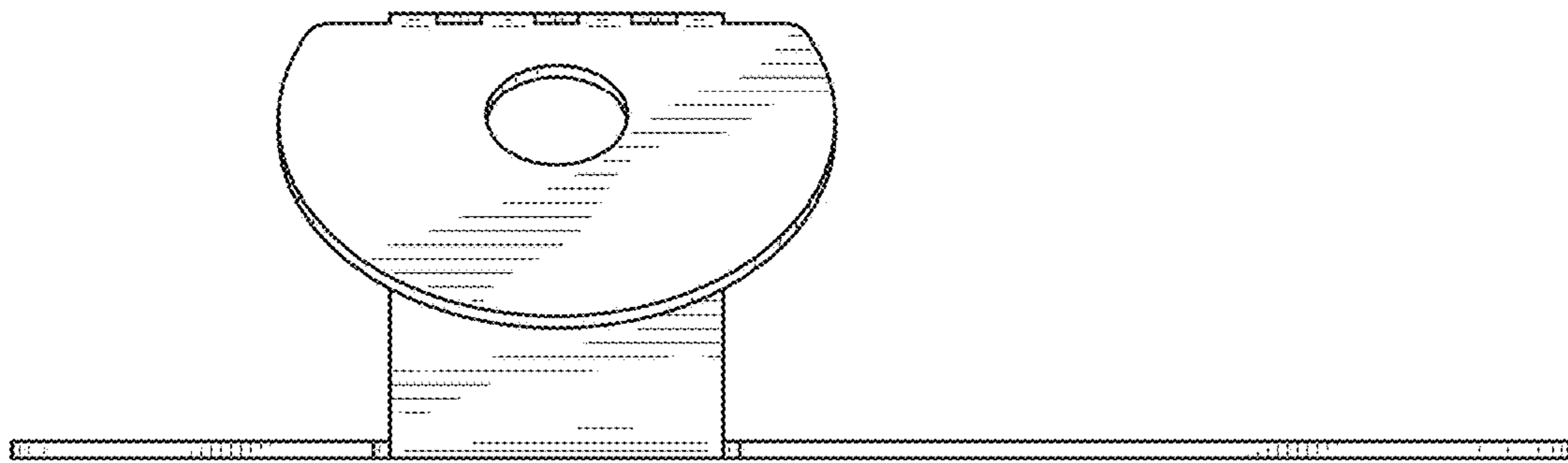


FIG. 3

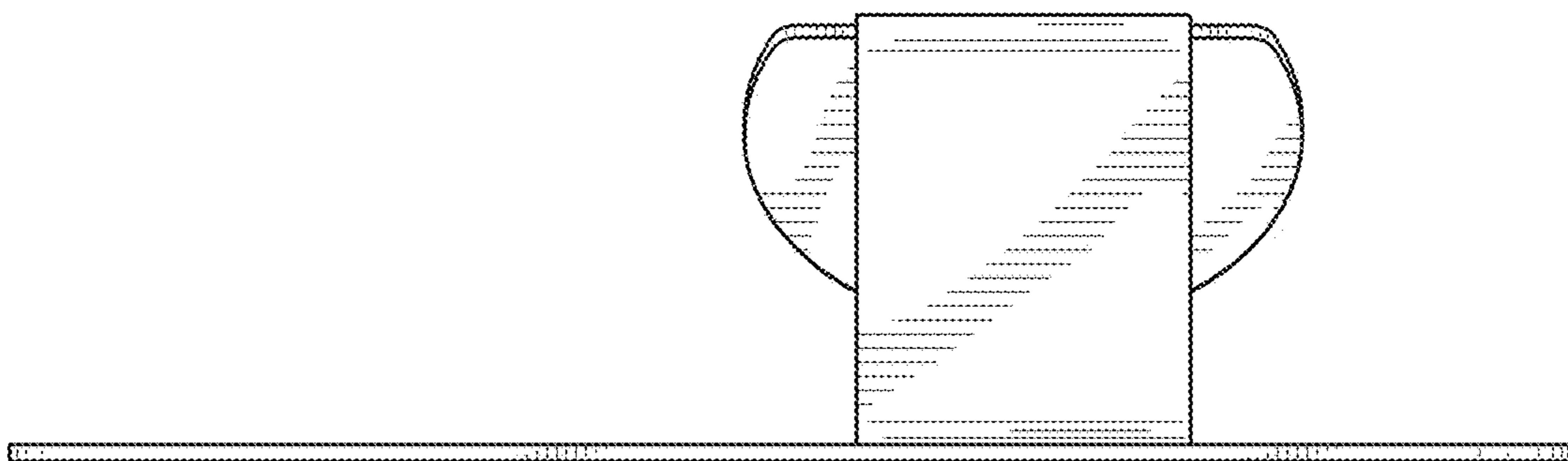


FIG. 4

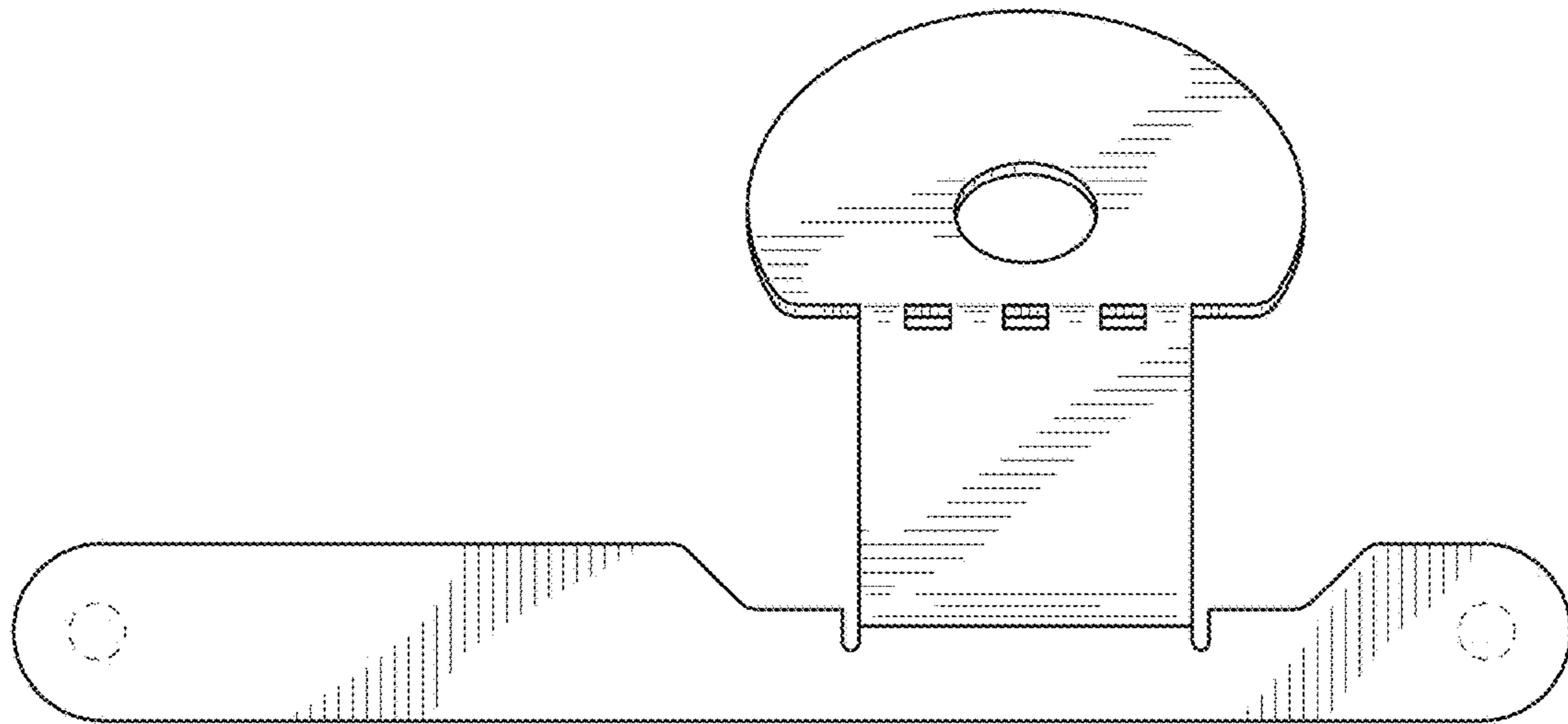


FIG. 5

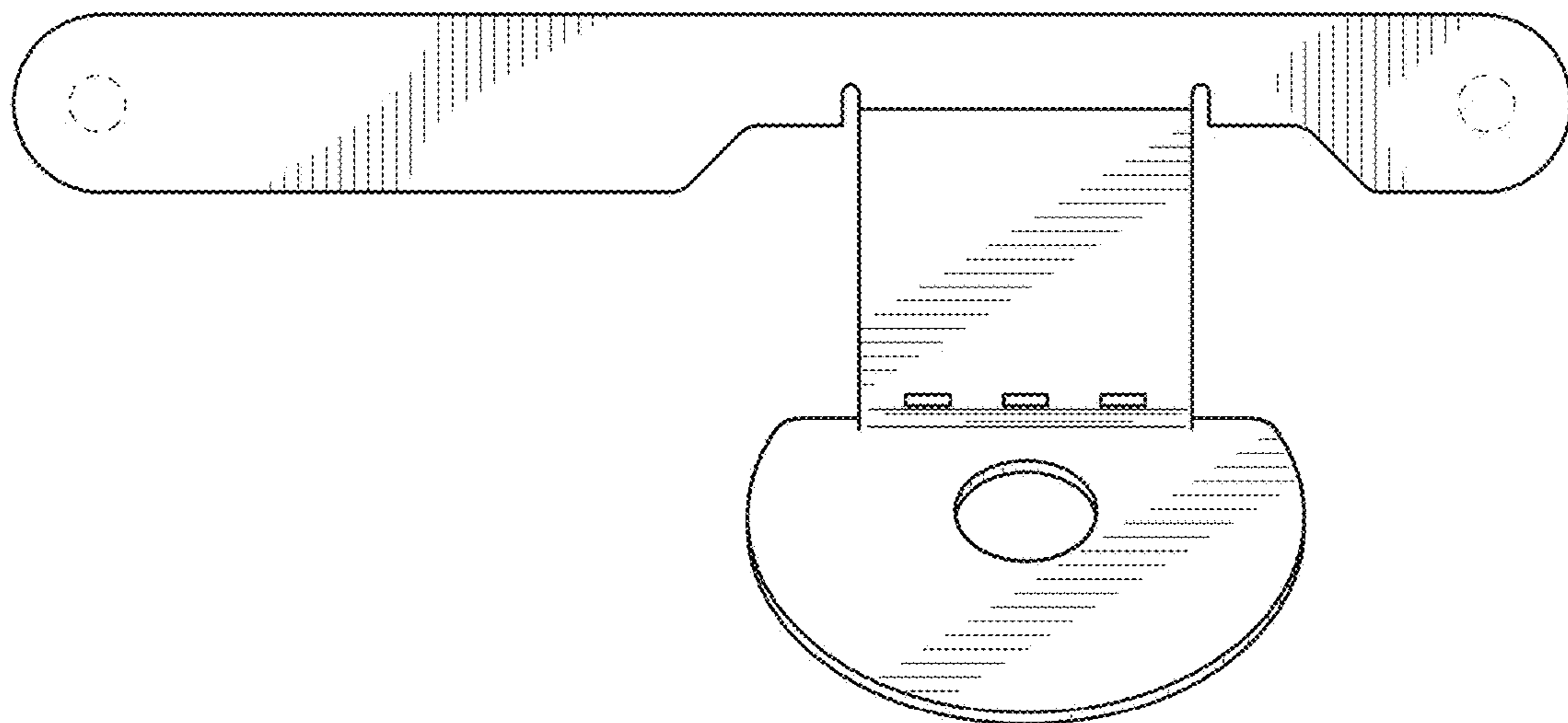


FIG. 6

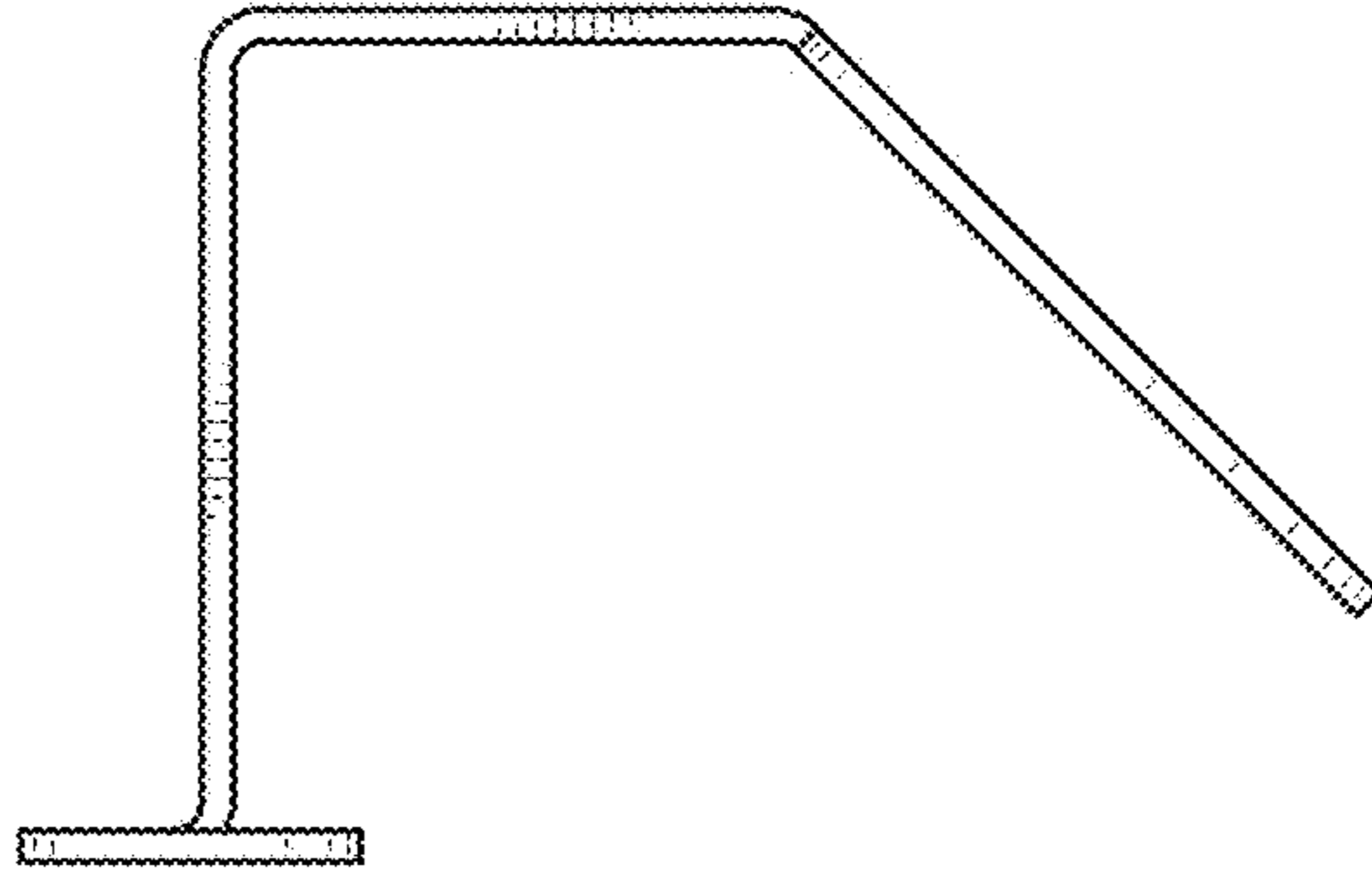


FIG. 7

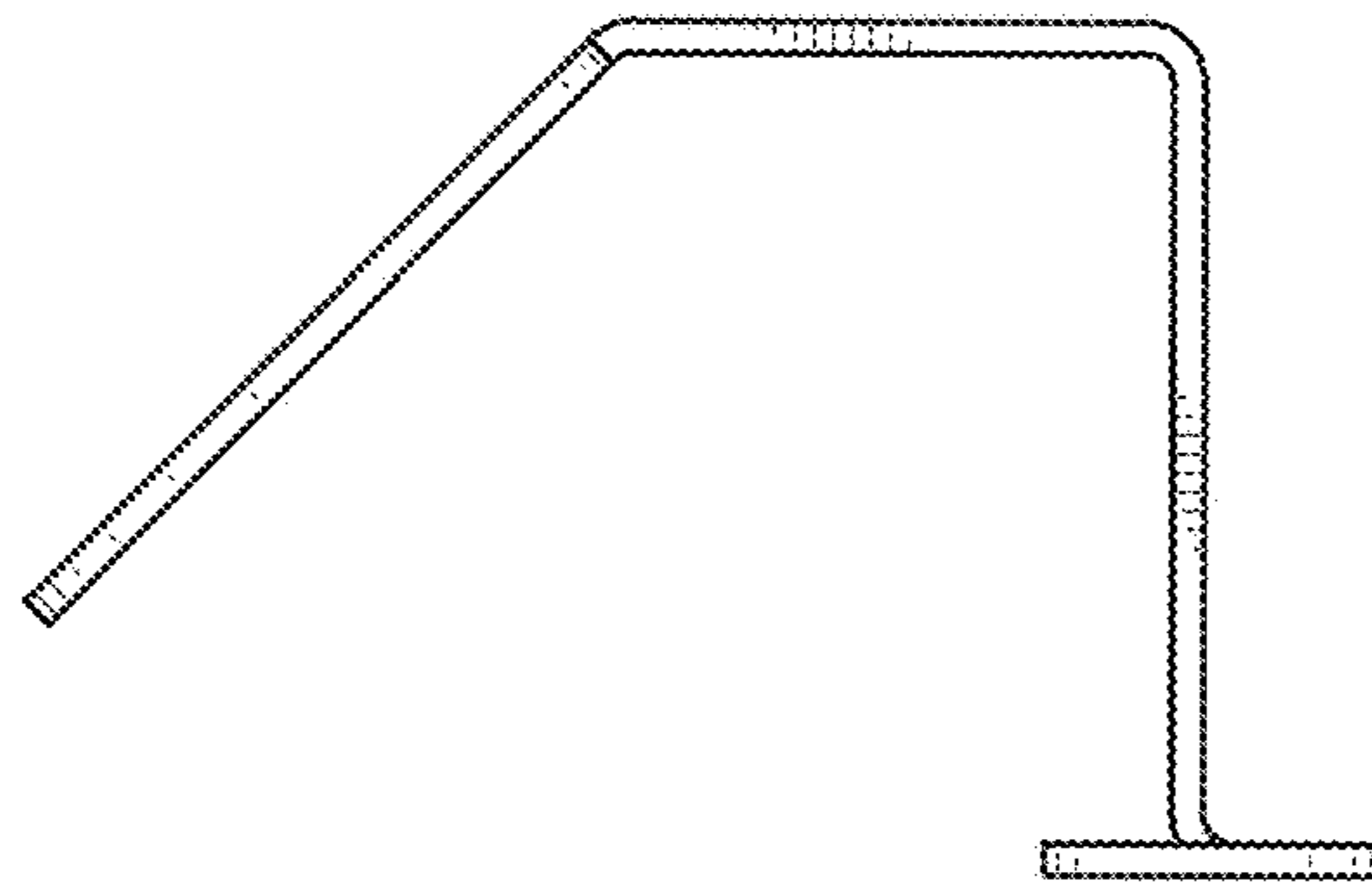


FIG. 8