



US00D855438S

(12) **United States Design Patent** (10) **Patent No.:** **US D855,438 S**  
**Akbar et al.** (45) **Date of Patent:** **\*\* Aug. 6, 2019**

(54) **GARAGE DOOR CAM**  
(71) Applicant: **Clopay Building Products Company, Inc.**, Mason, OH (US)  
(72) Inventors: **Muhammad J. Akbar**, Cincinnati, OH (US); **Daniel V. Jones**, Milford, OH (US); **James O. Rogers, III**, Milford, OH (US)  
(73) Assignee: **Clopay Building Products Company, Inc.**, Mason, OH (US)

1,413,354 A 4/1922 Posson  
1,628,511 A 5/1927 Petersen  
1,743,696 A 1/1930 Vetterlein  
1,872,489 A 8/1932 Mitchell  
1,929,071 A 10/1933 Levy  
2,020,544 A 11/1935 Gill et al.  
2,237,800 A 4/1941 Webber  
2,672,192 A 3/1954 Goldner  
2,729,287 A 1/1956 Goldner  
2,897,886 A 8/1959 Pistelli  
3,000,437 A 9/1961 Bennett  
3,237,681 A 3/1966 Huse  
3,280,888 A 10/1966 Davis

(Continued)

(\*\*) Term: **15 Years**

FOREIGN PATENT DOCUMENTS

(21) Appl. No.: **29/641,495**

DE 3735363 A1 6/1988  
DE 10213811 A1 10/2003

(22) Filed: **Mar. 22, 2018**

(Continued)

(51) **LOC (12) Cl.** ..... **08-08**

(52) **U.S. Cl.**

USPC ..... **D8/349**

(58) **Field of Classification Search**

USPC .... D6/672, 684, 680, 683.1, 703.5; D8/349, D8/354, 355, 330, 331, 333, 380, 382; D13/144, 154, 133, 129, 199; D22/125; D25/119, 164, 199, 139, 141; D26/138, D26/76, 78, 79, 80

CPC .. F16C 2314/72; F16C 29/0623; F16C 29/06; F16C 29/0609; F16C 29/005; F16C 29/008; F16C 29/04; F16C 29/0657; F16C 29/004; F16C 29/12; A47B 1/10; A47B 88/493; A47B 88/423; A47B 2088/4235; B44C 5/02

See application file for complete search history.

*Primary Examiner* — Mark A Goodwin  
*Assistant Examiner* — Benjamin M Weeks  
(74) *Attorney, Agent, or Firm* — Wood Herron & Evans LLP

(57) **CLAIM**

An ornamental design for a garage door cam, as shown and described.

**DESCRIPTION**

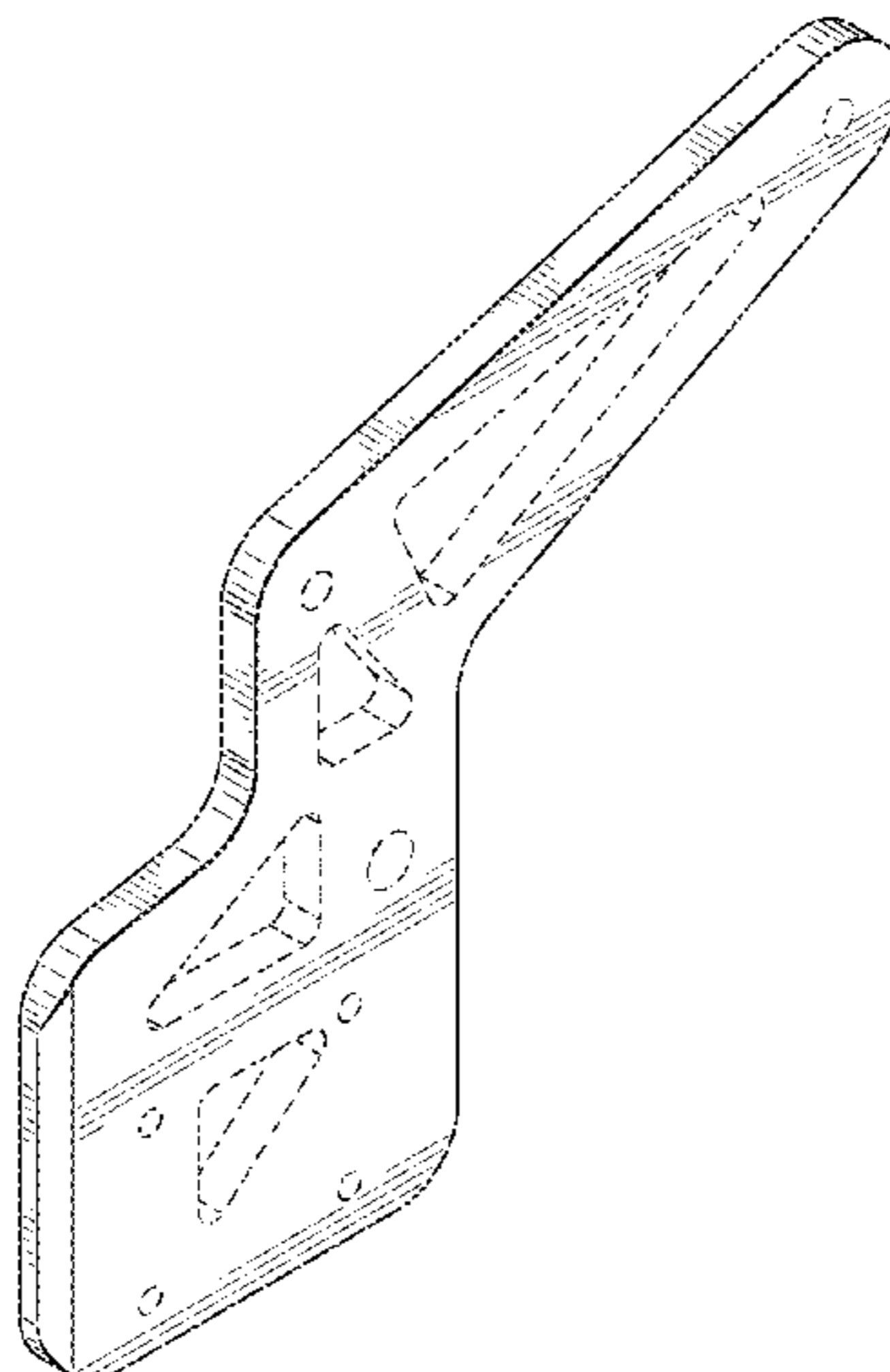
FIG. 1 is a front left isometric view according to this invention;  
FIG. 2 is a front view thereof;  
FIG. 3 is a rear view thereof;  
FIG. 4 is a left side view thereof;  
FIG. 5 is a right side view thereof;  
FIG. 6 is a top view thereof; and,  
FIG. 7 is a bottom view thereof.  
The broken lines show portions of the garage door cam that form no part of the claimed design.

(56) **References Cited**

U.S. PATENT DOCUMENTS

955,991 A 4/1910 Pheils  
974,327 A 11/1910 Woods  
1,033,115 A 7/1912 Mowry  
1,352,692 A 9/1920 Posson

**1 Claim, 3 Drawing Sheets**



(56)

References Cited

U.S. PATENT DOCUMENTS

3,491,400 A 1/1970 Hubbard  
 3,618,656 A 11/1971 Young  
 3,738,413 A 6/1973 Frobosilo et al.  
 3,842,891 A 10/1974 Kinnroth et al.  
 4,068,699 A 1/1978 Tucker  
 4,083,148 A 4/1978 Saucier  
 4,139,042 A 2/1979 Watanabe et al.  
 4,379,478 A 4/1983 Lichy  
 4,460,030 A 7/1984 Tsunemura et al.  
 4,538,661 A 9/1985 Henry et al.  
 4,603,723 A 8/1986 Sugihara  
 4,662,420 A 5/1987 Hirao  
 4,787,119 A 11/1988 Furuya  
 4,838,331 A 6/1989 Kasai  
 4,853,531 A 8/1989 Rejc  
 5,022,454 A 6/1991 Kobayashi et al.  
 5,065,806 A 11/1991 Kondoh  
 5,072,766 A 12/1991 Kondoh et al.  
 5,133,398 A 7/1992 Yang et al.  
 5,172,742 A 12/1992 Iwasaki et al.  
 D339,521 S \* 9/1993 Bartlett ..... D11/212  
 5,291,686 A 3/1994 Sears et al.  
 5,685,355 A 11/1997 Cook et al.  
 5,893,403 A 4/1999 Megens  
 6,279,640 B1 8/2001 Van Lennep  
 6,311,757 B1 11/2001 Schuette et al.  
 6,339,905 B1 1/2002 Craig  
 6,655,088 B1 12/2003 Hormann  
 7,509,713 B2 \* 3/2009 Lewis ..... F16B 2/16  
 24/488  
 7,798,198 B2 9/2010 Rejc et al.  
 7,810,212 B2 \* 10/2010 Salice ..... E05D 11/1021  
 16/286  
 7,913,739 B2 3/2011 Rejc et al.  
 7,918,263 B2 4/2011 Kraeutler  
 7,950,438 B2 5/2011 Albert  
 8,079,399 B2 12/2011 Rejc  
 D657,231 S \* 4/2012 Springer ..... D14/239  
 8,316,915 B2 11/2012 Drifka et al.

8,327,908 B2 12/2012 Godovalov  
 8,360,132 B2 1/2013 Drifka  
 8,371,356 B2 2/2013 Manser  
 D680,851 S \* 4/2013 Lo ..... D8/356  
 8,468,751 B2 6/2013 Williams  
 D685,625 S \* 7/2013 Diekman ..... D8/356  
 8,684,064 B2 4/2014 Frede  
 8,869,450 B2 10/2014 Balay et al.  
 8,899,297 B2 12/2014 Mazej et al.  
 D732,045 S \* 6/2015 Stener ..... D14/447  
 D735,632 S \* 8/2015 Beidler ..... D12/223  
 9,097,053 B2 8/2015 Drifka  
 D762,461 S \* 8/2016 Kirkham ..... D8/356  
 D767,373 S \* 9/2016 Gertsma ..... D8/355  
 D769,699 S \* 10/2016 Fuchs ..... D8/355  
 D771,474 S \* 11/2016 Gertsma ..... D8/356  
 D799,937 S \* 10/2017 Karol ..... D8/354  
 D831,175 S \* 10/2018 Jackson ..... D23/267  
 2005/0242692 A1 \* 11/2005 Chiu ..... A47B 88/57  
 312/334.47  
 2006/0016566 A1 1/2006 Kalempa et al.  
 2006/0175027 A1 8/2006 Langenbach  
 2010/0032105 A1 2/2010 Drifka  
 2010/0307058 A1 12/2010 Sanke et al.  
 2011/0005138 A1 1/2011 Drifka et al.  
 2011/0023364 A1 2/2011 Euteneuer et al.  
 2011/0107615 A1 \* 5/2011 Ziegmann ..... A47B 88/00  
 33/645  
 2011/0240234 A1 10/2011 Jans  
 2013/0112357 A1 5/2013 Gontarski et al.  
 2013/0133263 A1 5/2013 Drifka  
 2013/0152471 A1 6/2013 Drifka et al.

FOREIGN PATENT DOCUMENTS

DE 10236648 A1 2/2004  
 DE 102015100623 B3 5/2016  
 EP 0232866 A2 8/1987  
 EP 1233138 A1 8/2002  
 EP 2557264 A2 2/2013  
 SI 1948898 T1 4/2010

\* cited by examiner

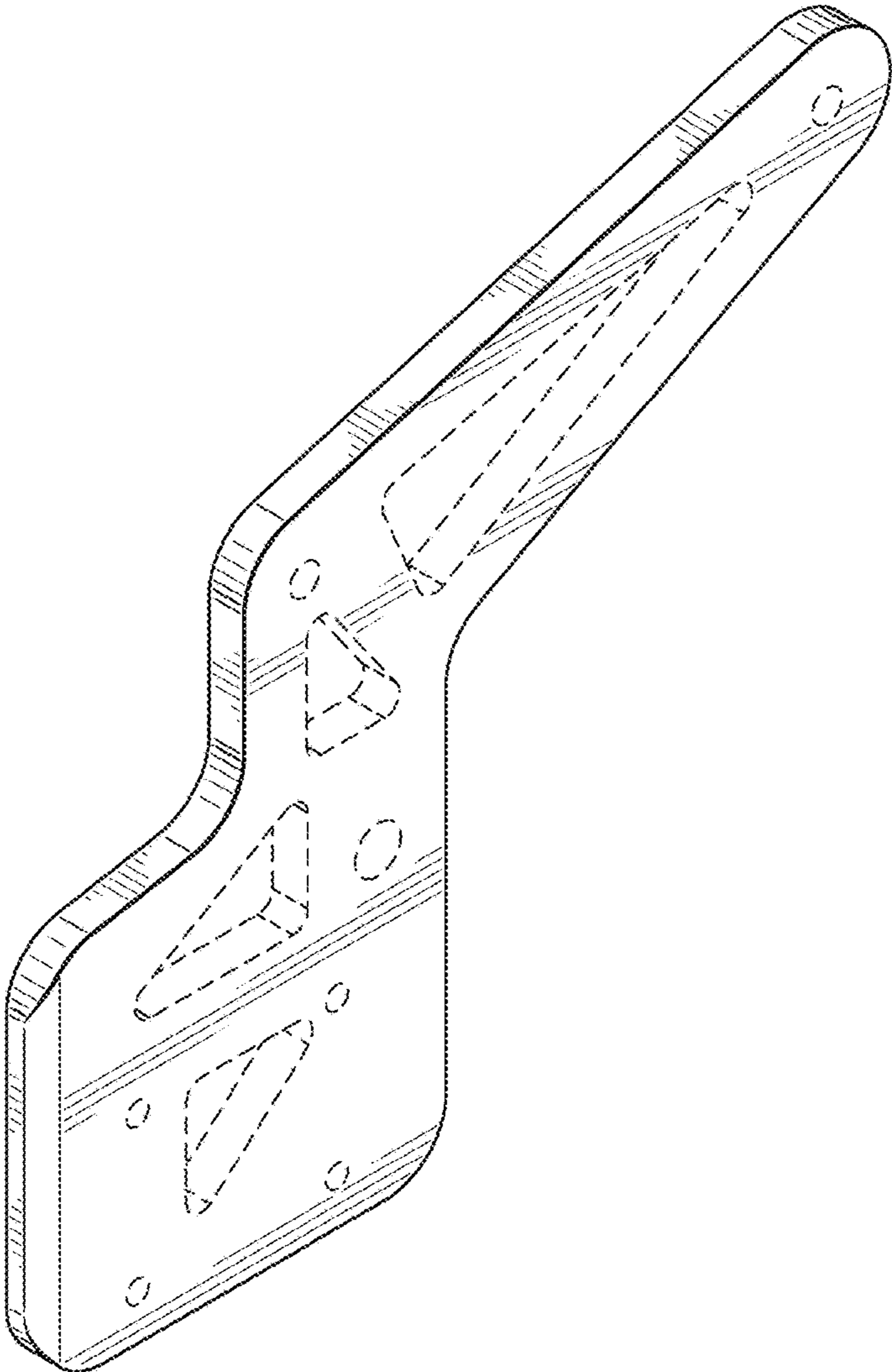


FIG. 1

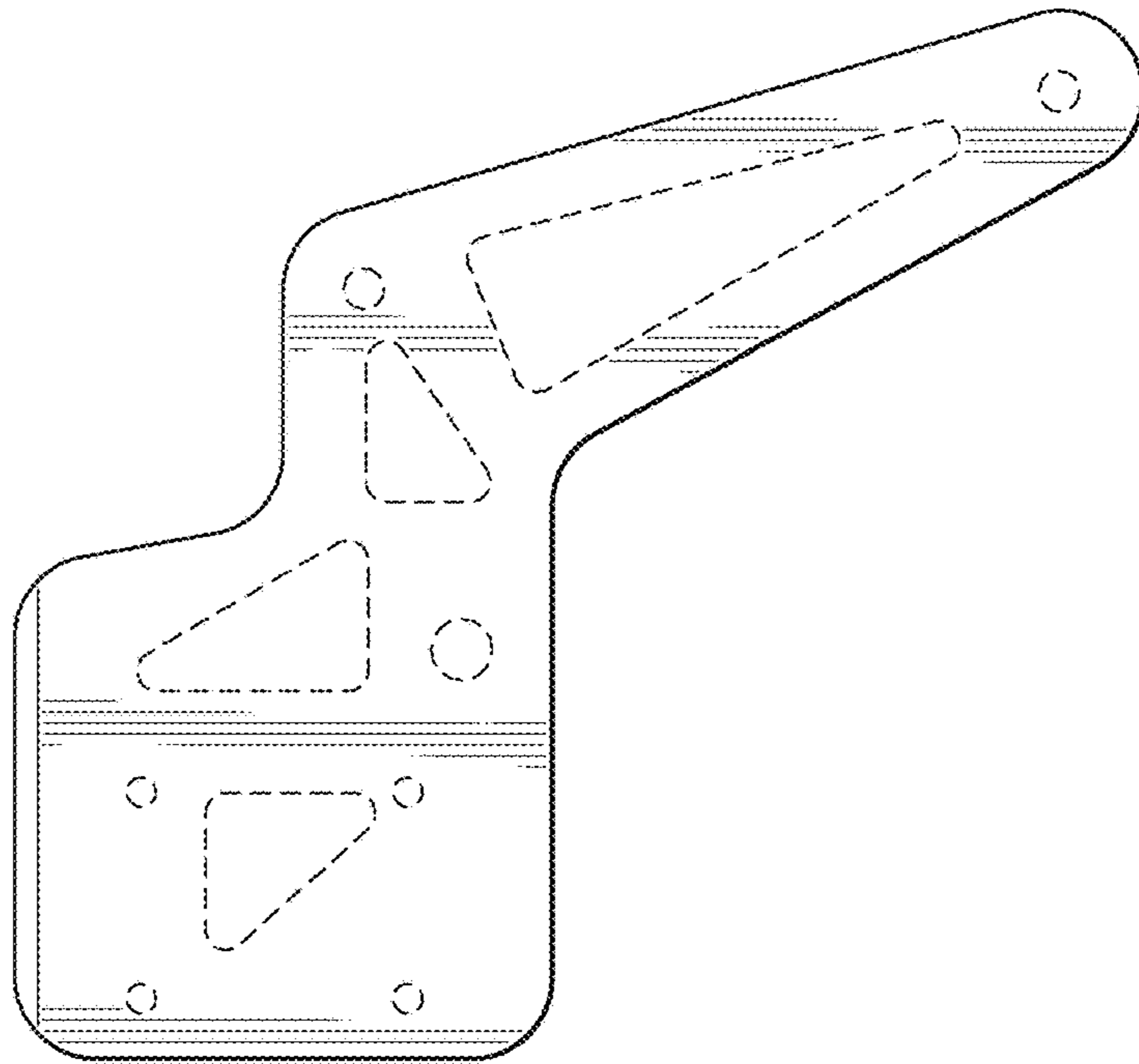


FIG. 2

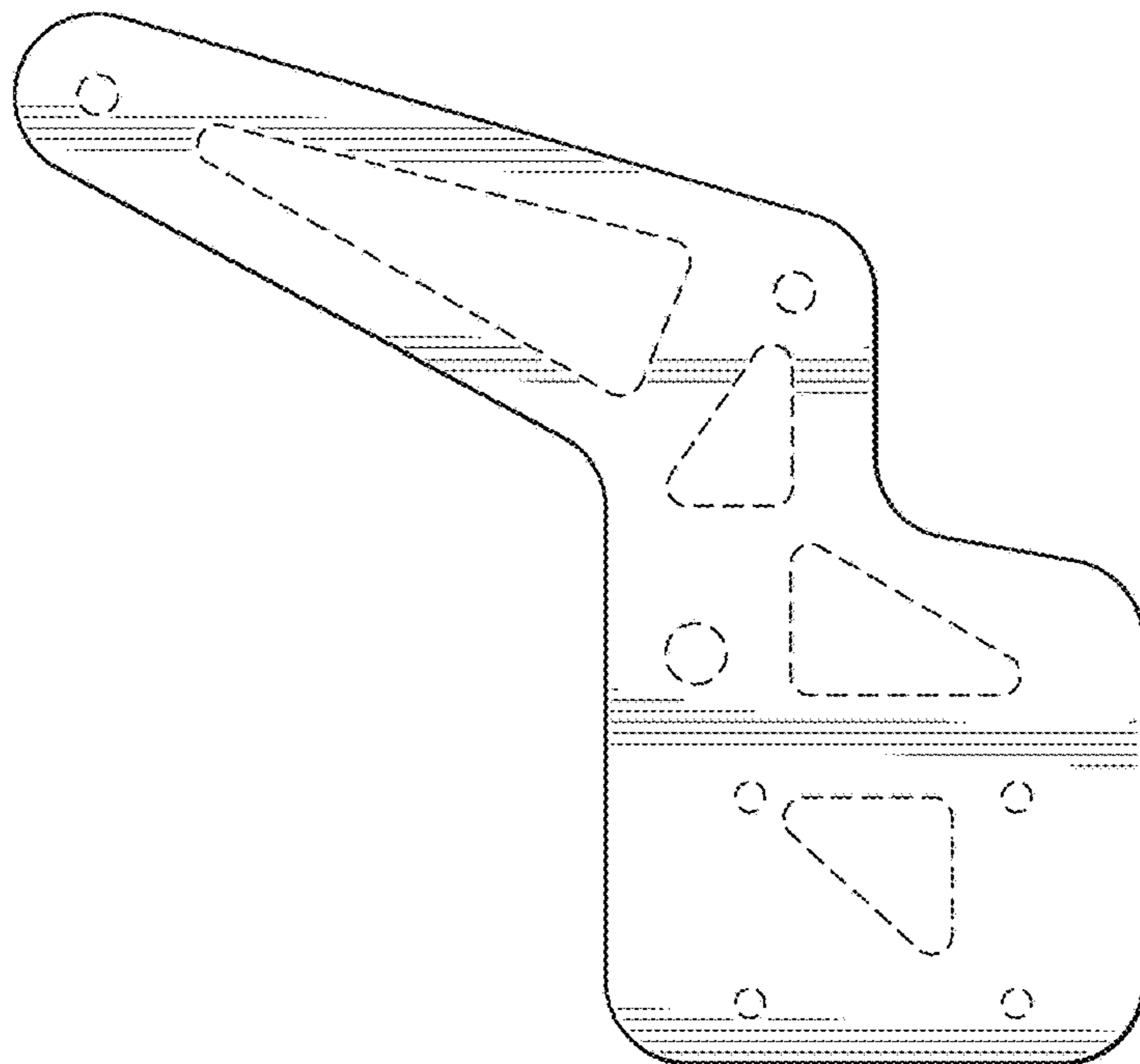
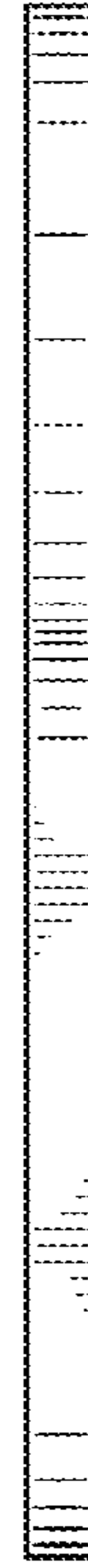


FIG. 3

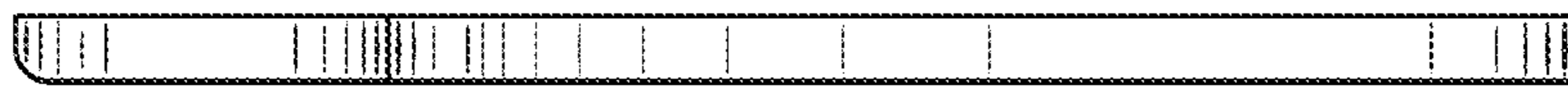




**FIG. 4**



**FIG. 5**



**FIG. 6**



**FIG. 7**