



US00D855437S

(12) **United States Design Patent** (10) **Patent No.:** **US D855,437 S**  
**Brannon** (45) **Date of Patent:** **\*\* Aug. 6, 2019**

(54) **CABINET HANGING RAIL**  
(71) Applicant: **Sympateco, Inc.**, Omaha, NE (US)  
(72) Inventor: **Curt Brannon**, Omaha, NE (US)  
(73) Assignee: **SYMPATECO, INC.**, Omaha, NE (US)  
(\*\*) Term: **15 Years**  
(21) Appl. No.: **29/574,906**  
(22) Filed: **Aug. 19, 2016**  
(51) **LOC (12) Cl.** ..... **08-08**  
(52) **U.S. Cl.**  
USPC ..... **D8/349**  
(58) **Field of Classification Search**  
USPC .... D6/672, 684, 680, 683.1, 703.5; D8/349,  
D8/354, 355, 330, 380, 382; D13/154,  
D13/133, 129, 199; D25/119, 164, 199,  
D25/139, 141; D26/138, 76, 78, 79, 80  
CPC .. F16C 2314/72; F16C 29/0623; F16C 29/06;  
F16C 29/0609; F16C 29/005; F16C  
29/008; F16C 29/04; F16C 29/0657;  
F16C 29/004; F16C 29/12; A47B 1/10;  
A47B 88/493; A47B 88/423; A47B  
2088/4235  
See application file for complete search history.

D764,594 S \* 8/2016 Aragon ..... D20/43  
D795,782 S \* 8/2017 Conrad ..... D12/317  
D806,439 S \* 1/2018 Buccola, Jr. .... D6/580  
D821,858 S \* 7/2018 Bergelin ..... D8/382  
D834,243 S \* 11/2018 Trzecielski ..... D26/142

\* cited by examiner

*Primary Examiner* — Mark A Goodwin  
*Assistant Examiner* — Benjamin M Weeks  
(74) *Attorney, Agent, or Firm* — Ryan T. Grace; Advent,  
LLP

(57) **CLAIM**

The ornamental design for a cabinet hanging rail, as shown and described.

**DESCRIPTION**

FIG. 1 is a left side view of a cabinet hanging rail.  
FIG. 2 is a right side view of the cabinet hanging rail of FIG. 1.  
FIG. 3 is a front elevation view of the cabinet hanging rail of FIG. 1.  
FIG. 4 is a back elevation view of the cabinet hanging rail of FIG. 1.  
FIG. 5 is a bottom plan view of the cabinet hanging rail of FIG. 1.  
FIG. 6 is a top plan view of the cabinet hanging rail of FIG. 1.  
FIG. 7 is an isometric view of the cabinet hanging rail of FIG. 1; and,  
FIG. 8 is another isometric view of the cabinet hanging rail of FIG. 1.  
Portions of FIGS. 1 through 8 are shown in broken lines illustrating portions of the article that form no part of the claimed design.

**1 Claim, 8 Drawing Sheets**

(56) **References Cited**

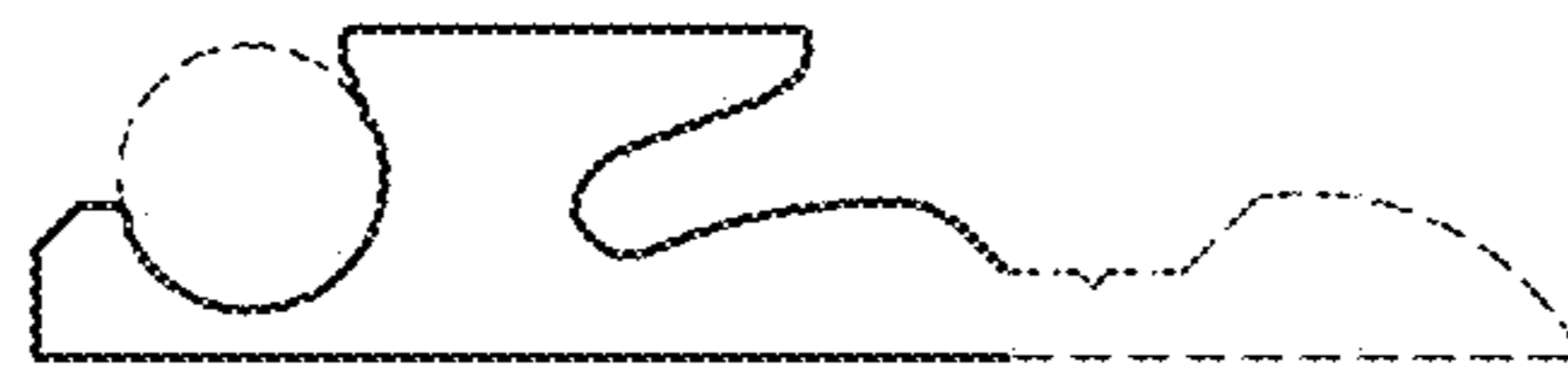
U.S. PATENT DOCUMENTS

D254,625 S \* 4/1980 Stenersen ..... D20/43  
D557,112 S \* 12/2007 Franssen ..... D8/349  
D640,801 S \* 6/2011 Wickland ..... D25/119  
D644,757 S \* 9/2011 Vappula ..... D25/199  
D649,686 S \* 11/2011 Trzesniowski ..... D26/138  
D731,110 S \* 6/2015 Poppenheimer ..... D26/120  
D745,368 S \* 12/2015 Lutze ..... D13/184  
D759,758 S \* 6/2016 Garfinkle ..... D20/43





**FIG. 1**



**FIG. 2**

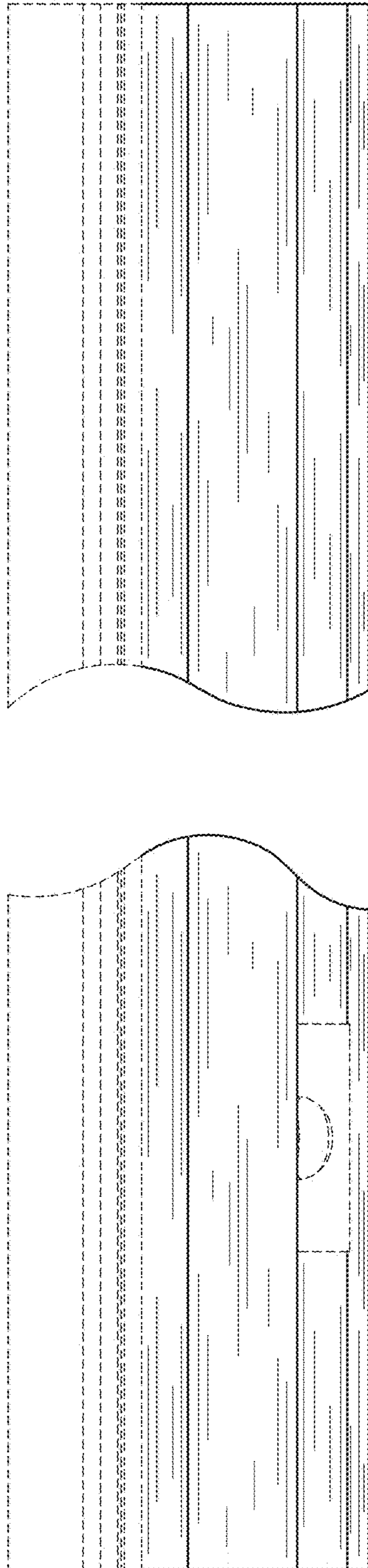


FIG. 3

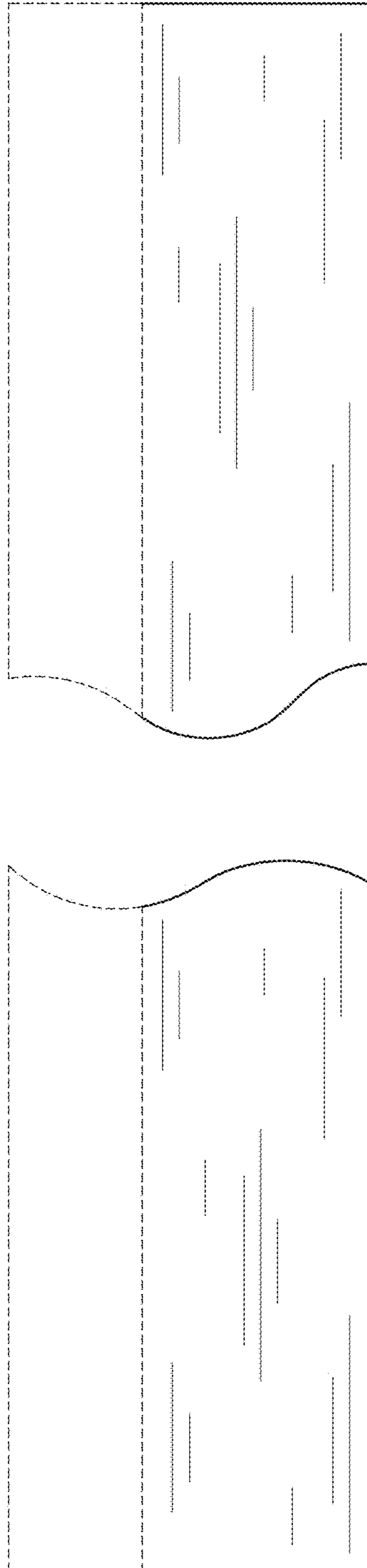
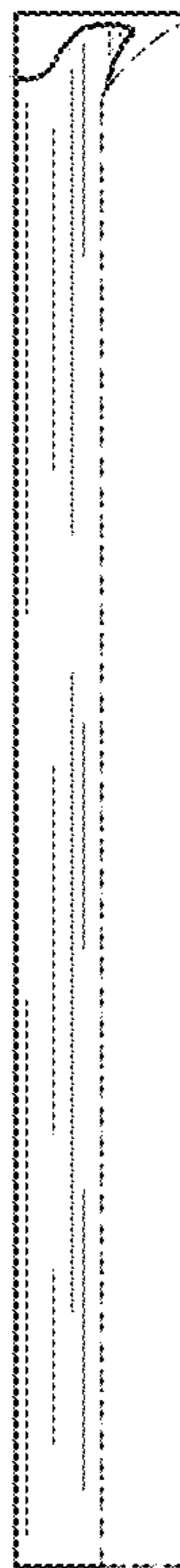
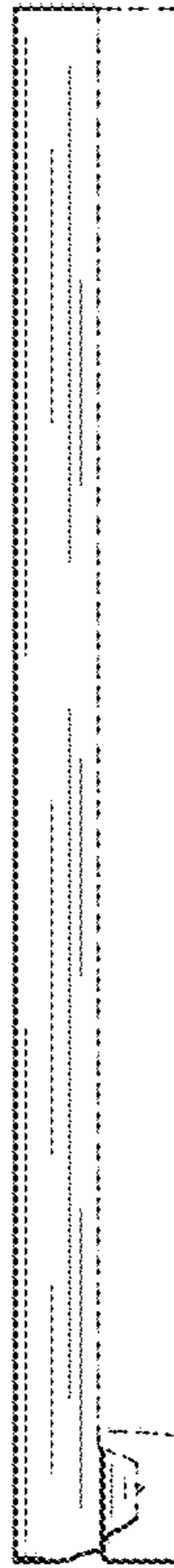


FIG. 4



FIG. 5



**FIG. 6**

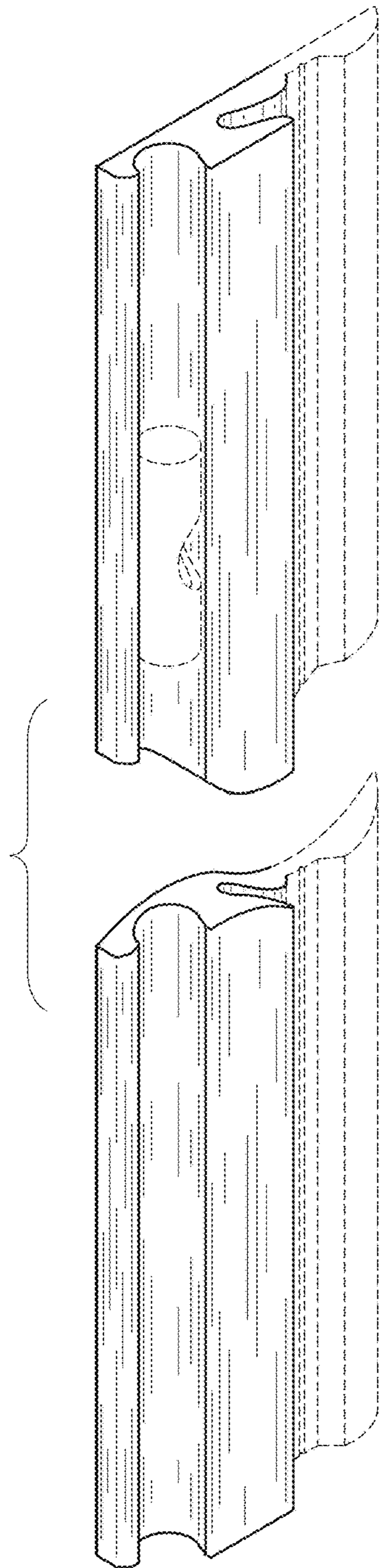


FIG. 7



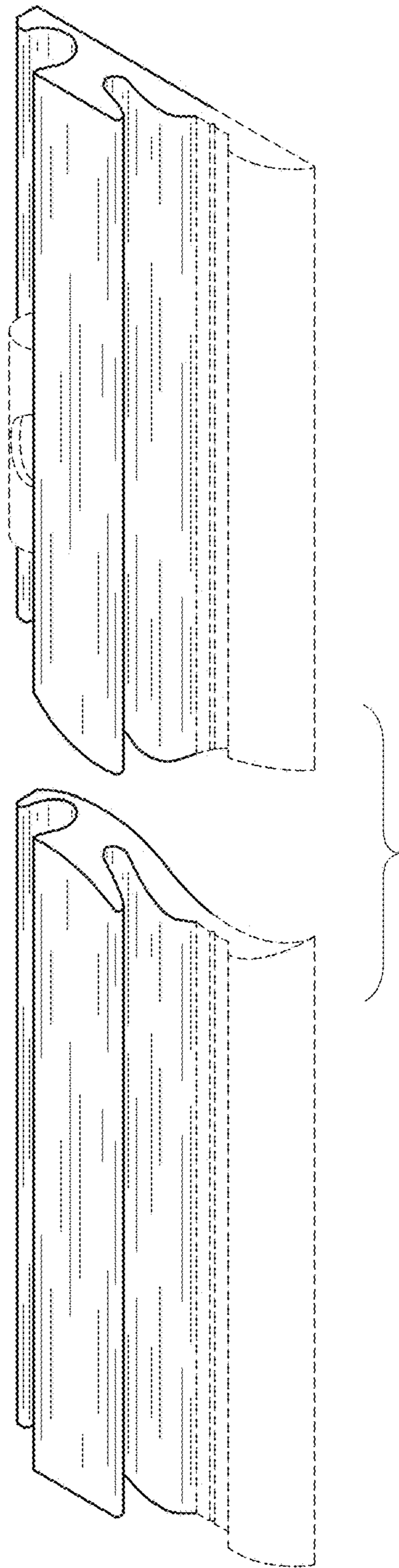


FIG. 8