



US00D855434S

(12) **United States Design Patent**
Groleski et al.

(10) **Patent No.:** **US D855,434 S**

(45) **Date of Patent:** **** Aug. 6, 2019**

- (54) **TRANSITIONAL GLASS KNOB**
- (71) Applicant: **Schlage Lock Company LLC**, Carmel, IN (US)
- (72) Inventors: **Autumn A. Groleski**, Noblesville, IN (US); **Abigail R. Miller**, Leawood, KS (US)
- (73) Assignee: **Schlage Lock Company LLC**, Carmel, IN (US)
- (**) Term: **15 Years**
- (21) Appl. No.: **29/647,850**
- (22) Filed: **May 16, 2018**
- (51) **LOC (12) Cl.** **08-06**
- (52) **U.S. Cl.**
USPC **D8/310**
- (58) **Field of Classification Search**
USPC D8/300, 307, 310; D7/393; D23/250, D23/252, 254
CPC ... Y10T 292/57; Y10T 16/469; Y10T 292/82; Y10T 74/2084; Y10T 292/85; Y10T 16/458; Y10T 16/506; Y10T 70/5155; Y10T 16/46; Y10T 16/4559; Y10T 74/20828; Y10T 70/8541; Y10T 74/20612; Y10T 16/459; Y10T 16/487; Y10T 70/5389; Y10T 16/462; Y10T 16/4636; E05B 1/0007; E05B 3/00; Y10S 16/30; Y10S 292/53; Y10S 292/27
See application file for complete search history.

D176,713 S *	1/1956	Ellis	D8/310
2,812,967 A *	11/1957	Falk	E05B 3/003 292/347
3,314,746 A *	4/1967	Millar	A61L 2/10 16/111.1
D526,882 S *	8/2006	Veltz	D8/307
D592,484 S *	5/2009	Ricereto	D8/307
D723,352 S *	3/2015	Ramsland	D8/310
D733,493 S *	7/2015	Barberi	D7/393
D736,589 S *	8/2015	Watson	D8/310
D772,688 S *	11/2016	Zimmer	D8/310
D787,297 S *	5/2017	Zimmer	D8/310
D792,188 S *	7/2017	Zimmer	D8/310
D801,607 S *	10/2017	Donald	D32/40
D811,194 S *	2/2018	Yuki	D8/310
D826,684 S *	8/2018	Tseng	D8/310
2009/0122522 A1 *	5/2009	Yang	E05B 1/0007 362/100

* cited by examiner

Primary Examiner — Lauren R Calve
(74) *Attorney, Agent, or Firm* — Taft Stettinius & Hollister LLP

(57) **CLAIM**

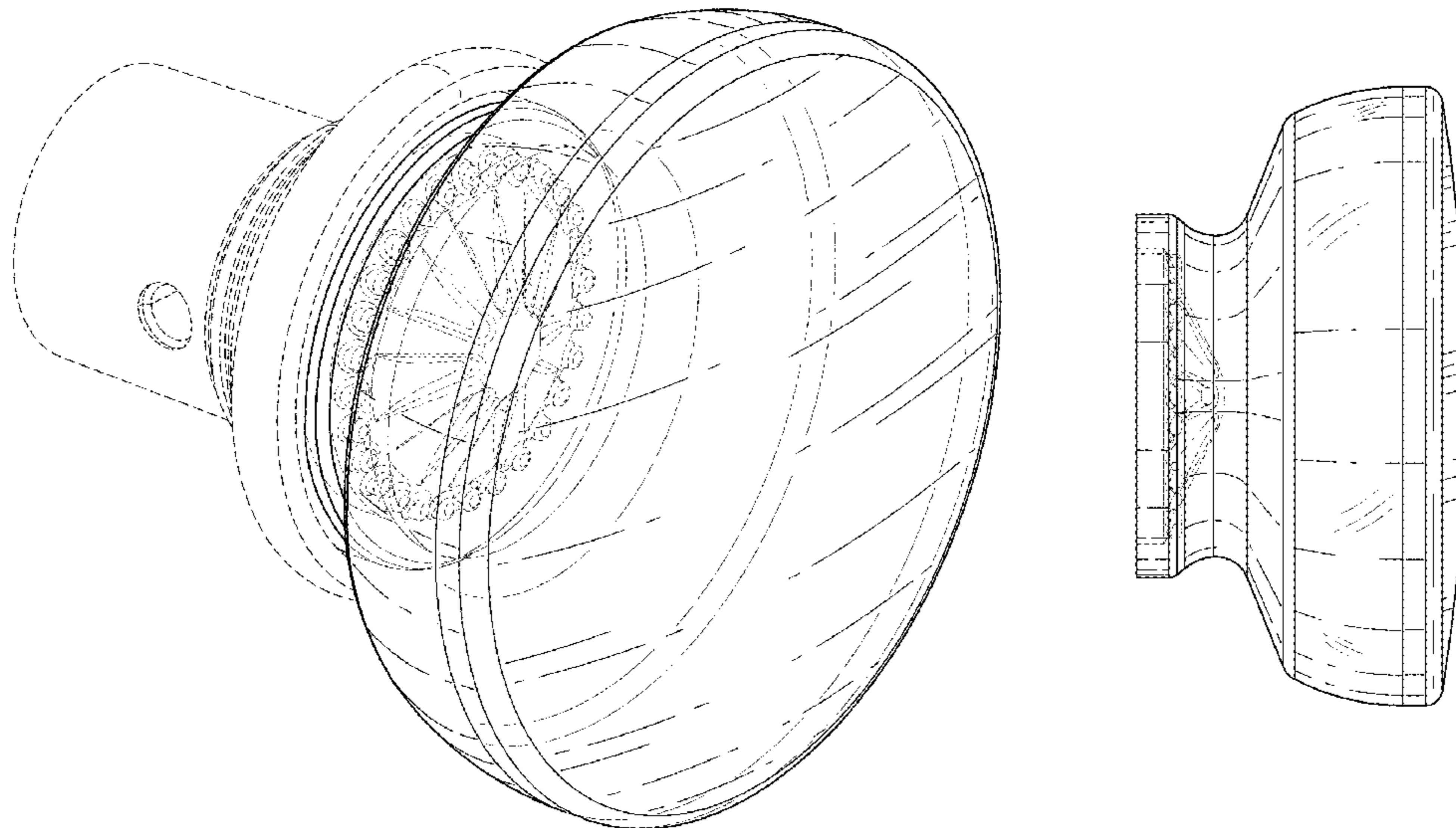
The ornamental design for a transitional glass knob, as shown and described.

DESCRIPTION

FIG. 1 is a front, left side perspective view of a transitional glass knob showing our new design; FIG. 2 is a rear, right side perspective view thereof; FIG. 3 is a front elevational view thereof; FIG. 4 is a top plan view thereof; and, FIG. 5 is a left side elevational view thereof. The broken lines in the drawing figures depict unclaimed subject matter and form no part of the claimed design.

1 Claim, 3 Drawing Sheets

- (56) **References Cited**
U.S. PATENT DOCUMENTS
D51,333 S * 10/1917 Heizmann D8/310
1,536,684 A * 5/1925 Morgan C22C 38/04
16/414



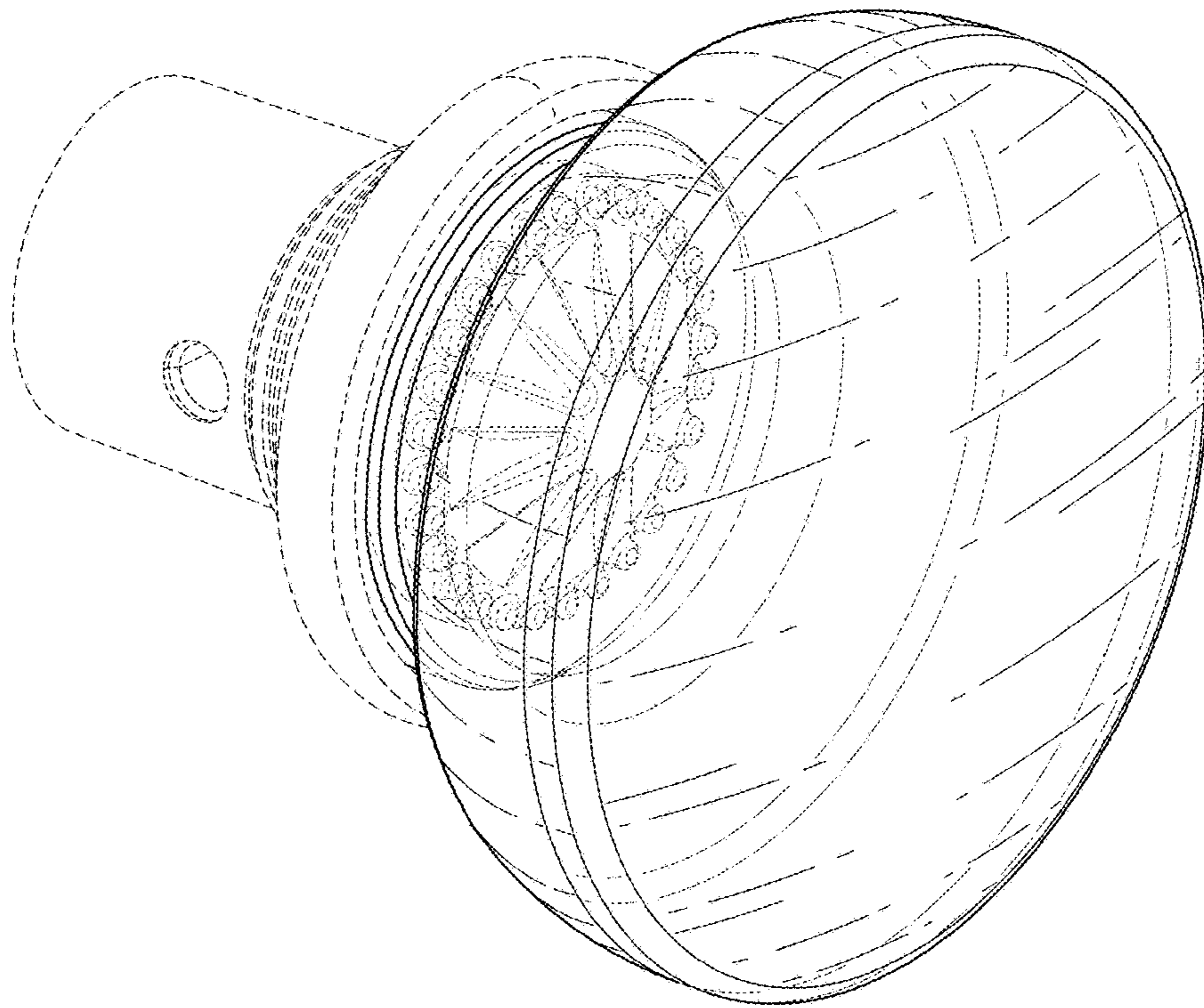


Fig. 1

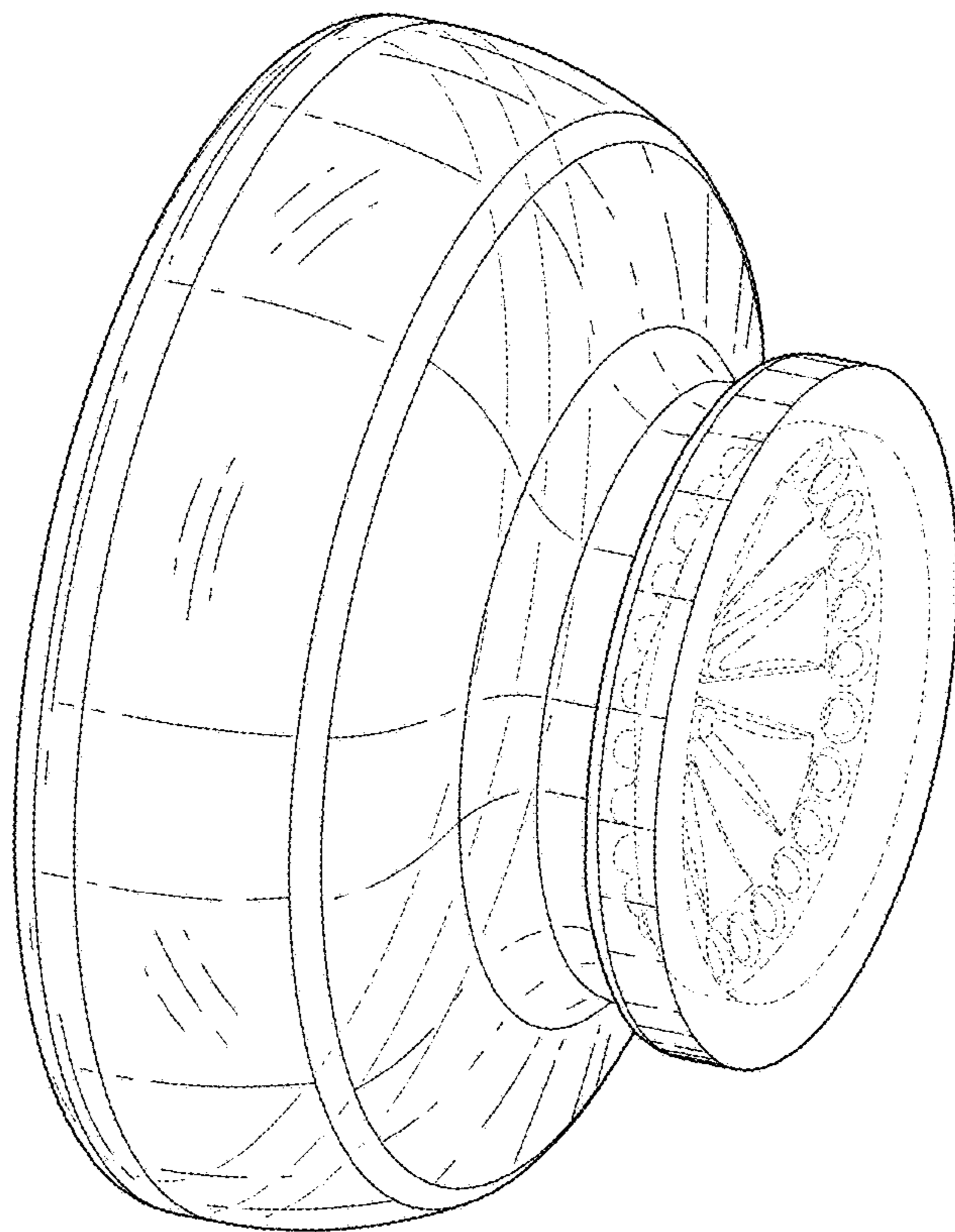


Fig. 2

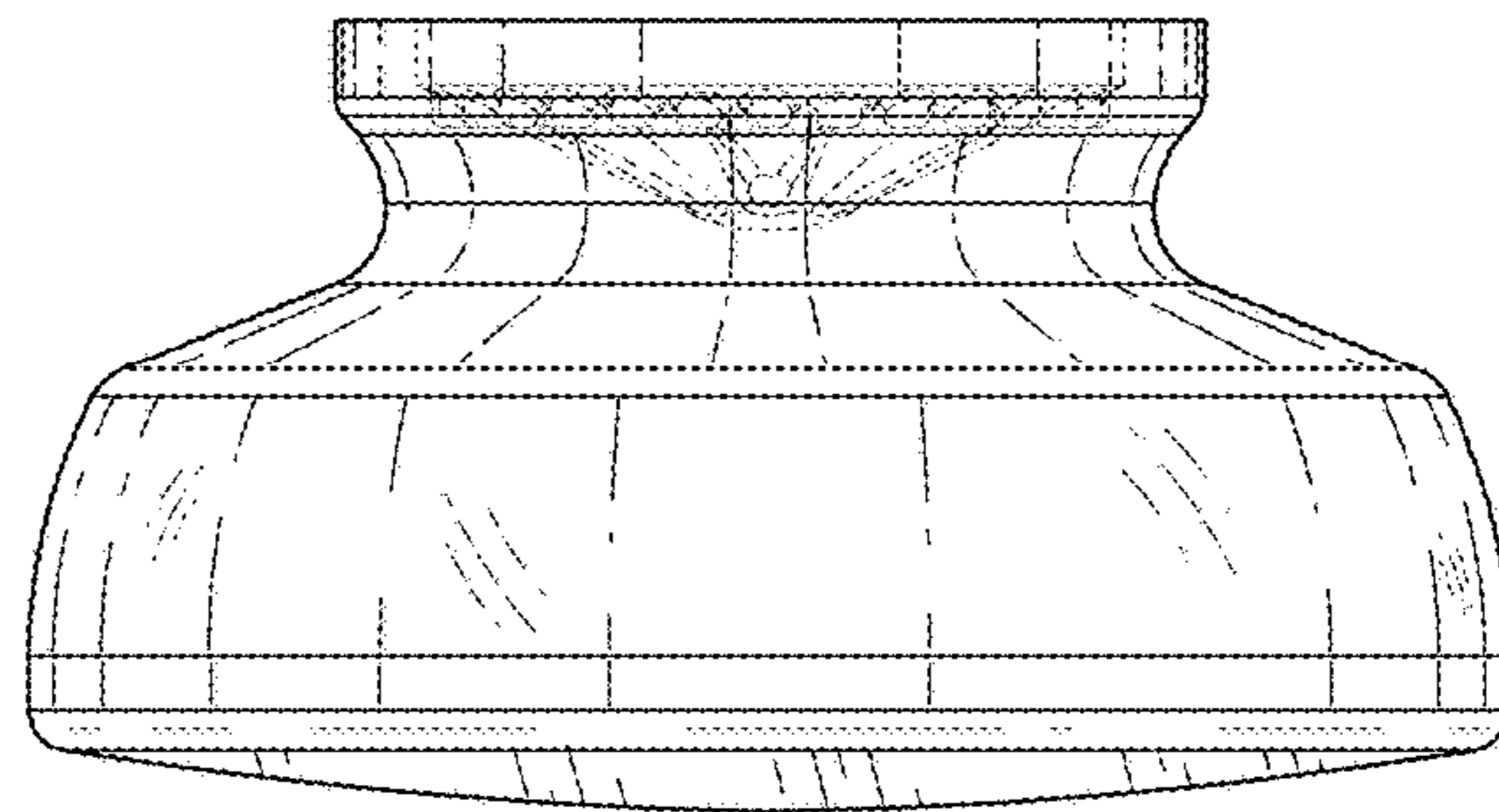


Fig. 4

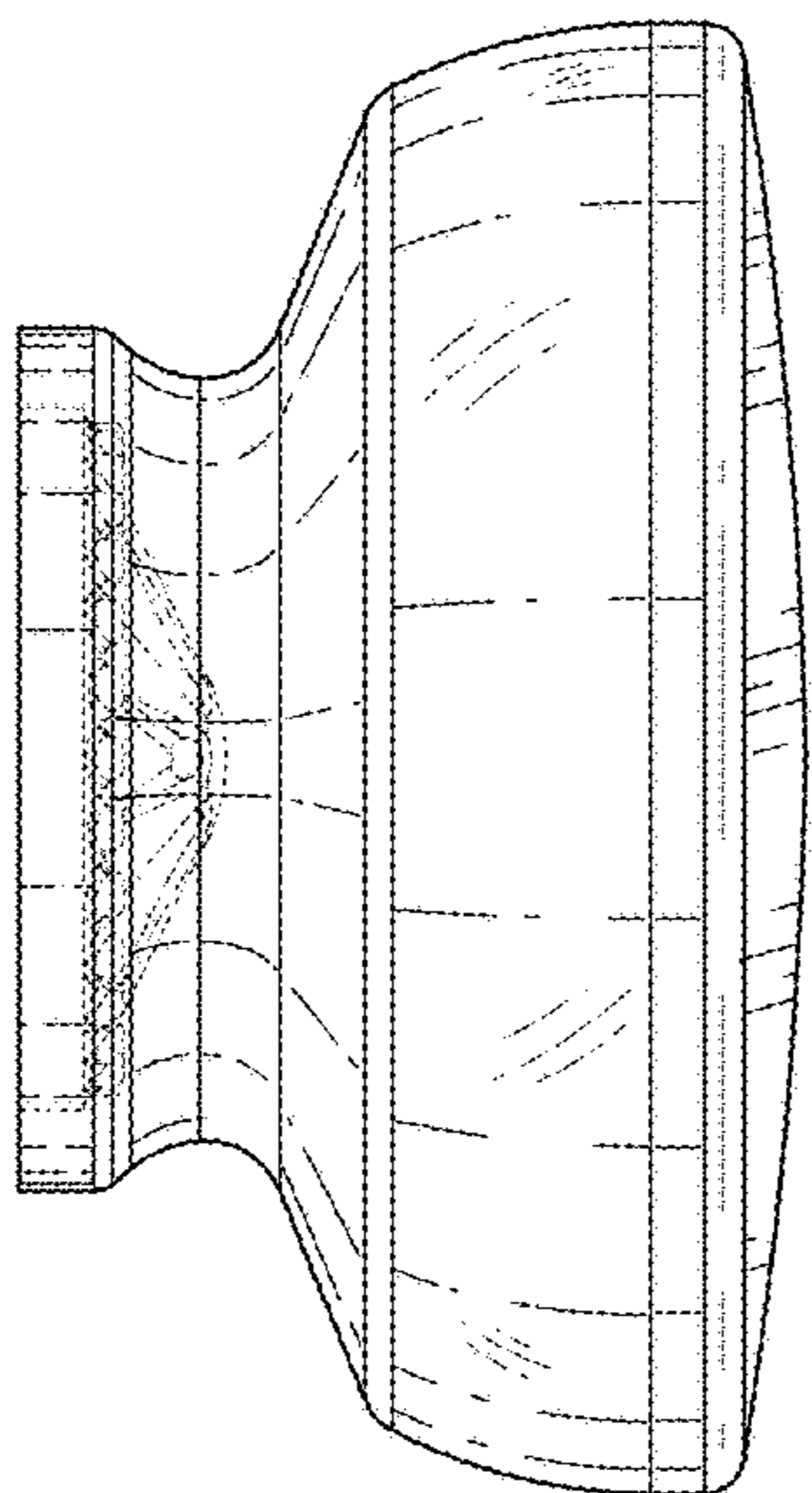


Fig. 5

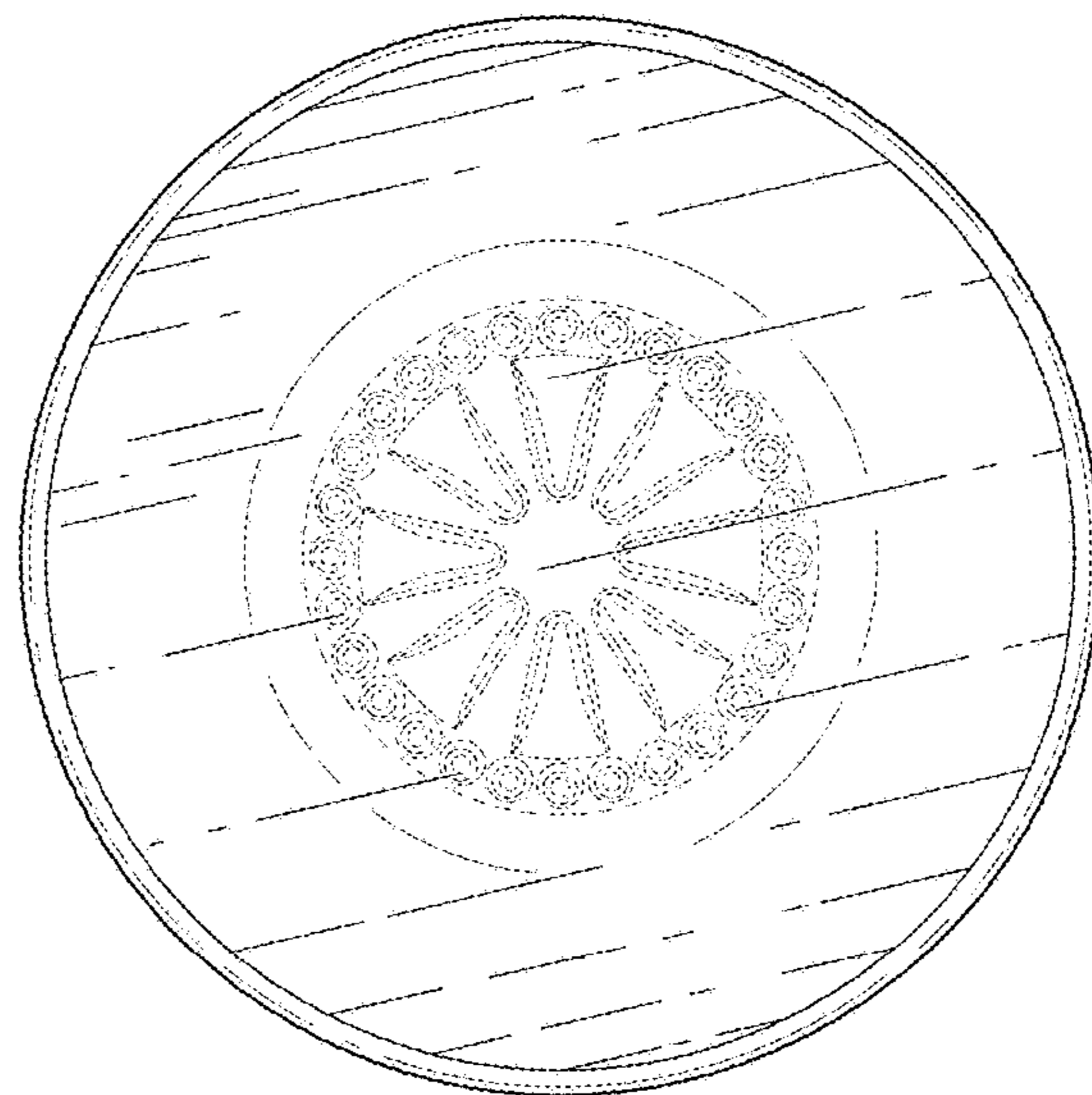


Fig. 3