



US00D855432S

(12) **United States Design Patent**  
**Zhang**

(10) **Patent No.:** **US D855,432 S**

(45) **Date of Patent:** **\*\* Aug. 6, 2019**

(54) **HAMMER WITH MOLDED HANDLE**

(71) Applicant: **Xin Zhang**, Nanjing (CN)

(72) Inventor: **Xin Zhang**, Nanjing (CN)

(\*\*) Term: **15 Years**

(21) Appl. No.: **29/573,559**

(22) Filed: **Aug. 8, 2016**

(51) **LOC (12) Cl.** ..... **08-02**

(52) **U.S. Cl.**  
USPC ..... **D8/75**

(58) **Field of Classification Search**  
USPC ..... D8/75, 76, 77, 78, 79, 80, 81  
CPC ... B25D 1/00; B25D 1/02; B25D 1/04; B25D  
1/045; B25D 1/06; B25D 1/08; B25D  
1/10; B25D 1/12; B25D 1/14; B25D 1/16  
See application file for complete search history.

(56) **References Cited**

**U.S. PATENT DOCUMENTS**

D470,380 S *	2/2003	Huang	.....	D8/75
D600,523 S *	9/2009	Adams	.....	D8/75
D605,922 S *	12/2009	Reinius	.....	D8/75
7,874,231 B2 *	1/2011	Hanlon	.....	B25D 1/12 81/22
D676,301 S *	2/2013	Vanderbeek	.....	D8/75
D716,126 S *	10/2014	Dahlberg	.....	D8/75
D747,943 S *	1/2016	Hung	.....	D8/75
D748,447 S *	2/2016	Hung	.....	D8/75

D770,254 S *	11/2016	Honadel	.....	D8/75
D770,255 S *	11/2016	Honadel	.....	D8/75
D770,256 S *	11/2016	Honadel	.....	D8/75
D770,875 S *	11/2016	Honadel	.....	D8/75
D777,549 S *	1/2017	Hung	.....	D8/78
9,718,179 B1 *	8/2017	Martinez	.....	B25D 1/04

\* cited by examiner

*Primary Examiner* — Philip S Hyder

(74) *Attorney, Agent, or Firm* — Alford Law Group, Inc.;  
Vy H. Vu; David T. Bracken

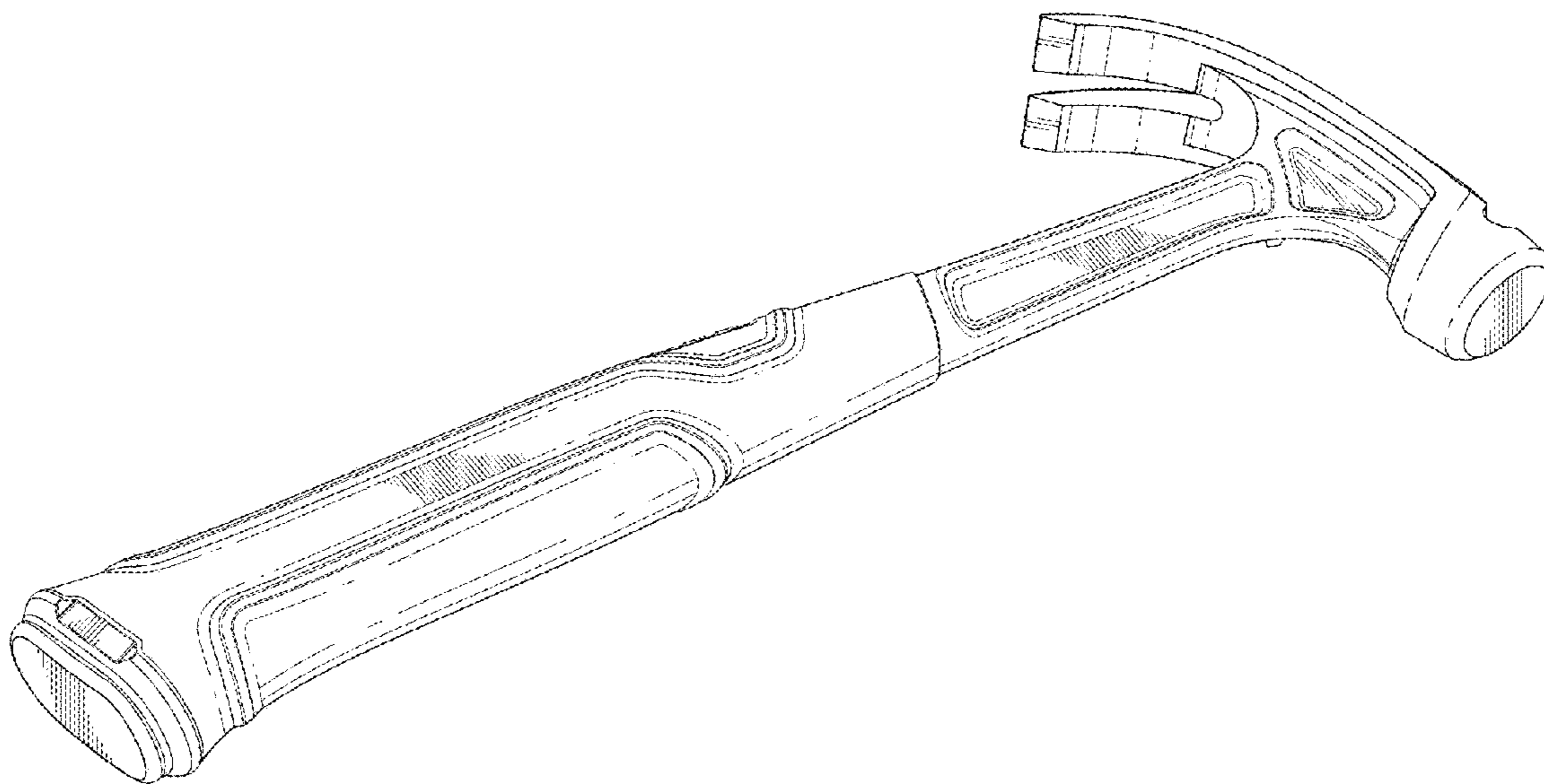
(57) **CLAIM**

The ornamental design for the hammer with molded handle,  
as shown and described.

**DESCRIPTION**

FIG. 1 is right bottom perspective view of the hammer with  
molded handle of my design.  
FIG. 2 is a top perspective side view thereof.  
FIG. 3 is a right top perspective view thereof.  
FIG. 4 is a rear view thereof.  
FIG. 5 is a front view thereof.  
FIG. 6 is a right side view thereof.  
FIG. 7 is a left side view thereof.  
FIG. 8 is a top view thereof; and,  
FIG. 9 is a bottom view thereof.

**1 Claim, 7 Drawing Sheets**



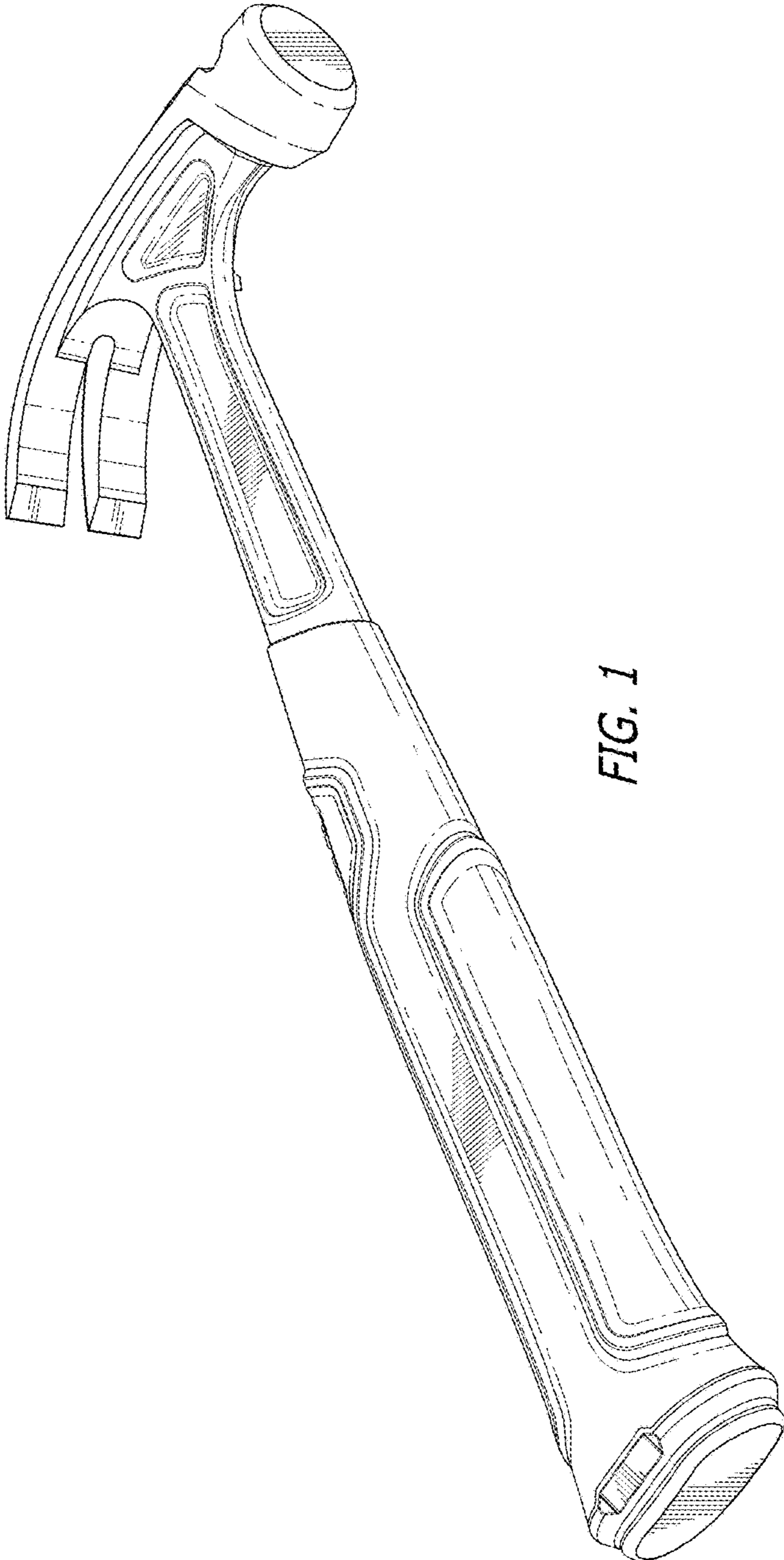


FIG. 1

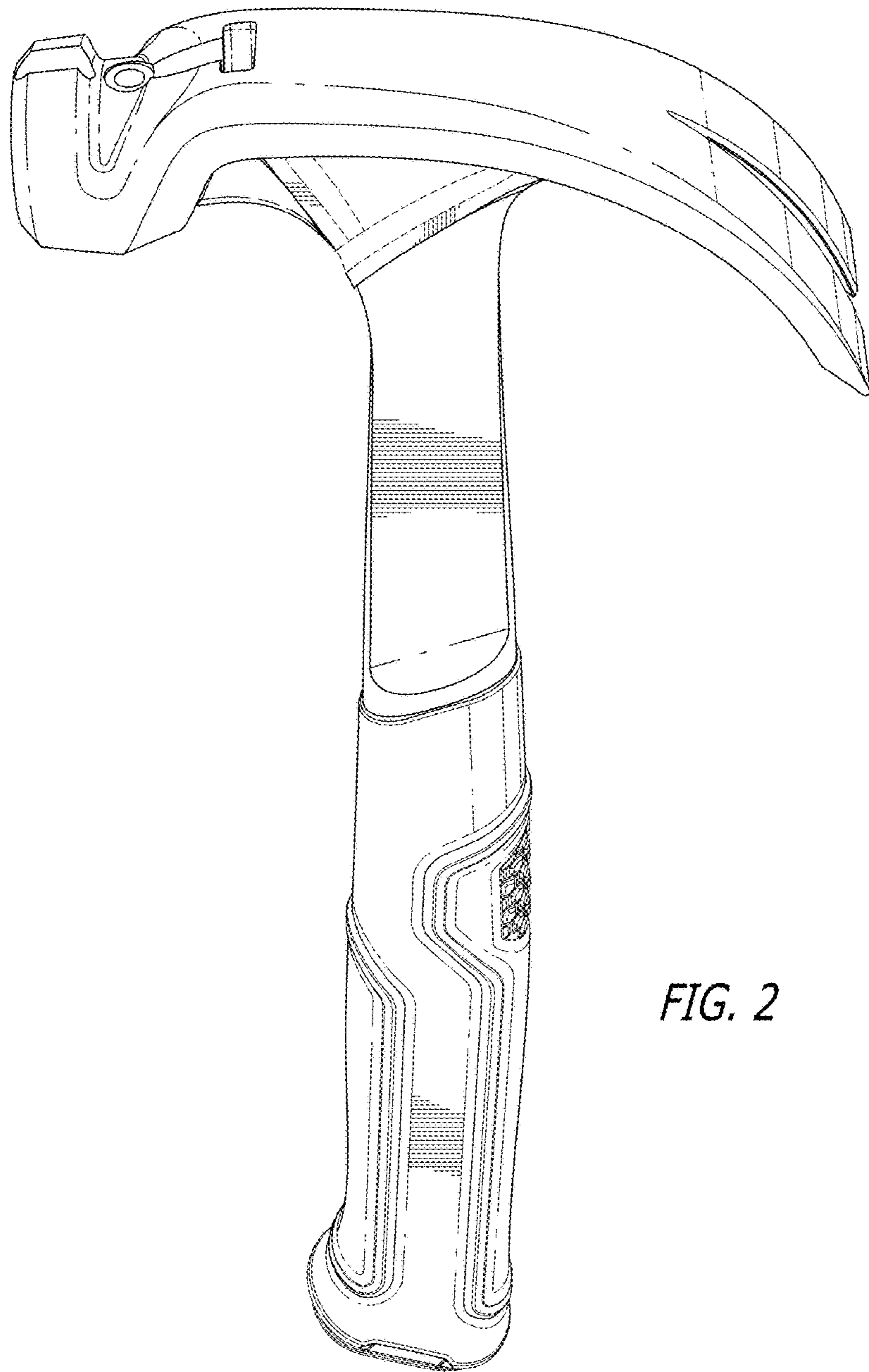
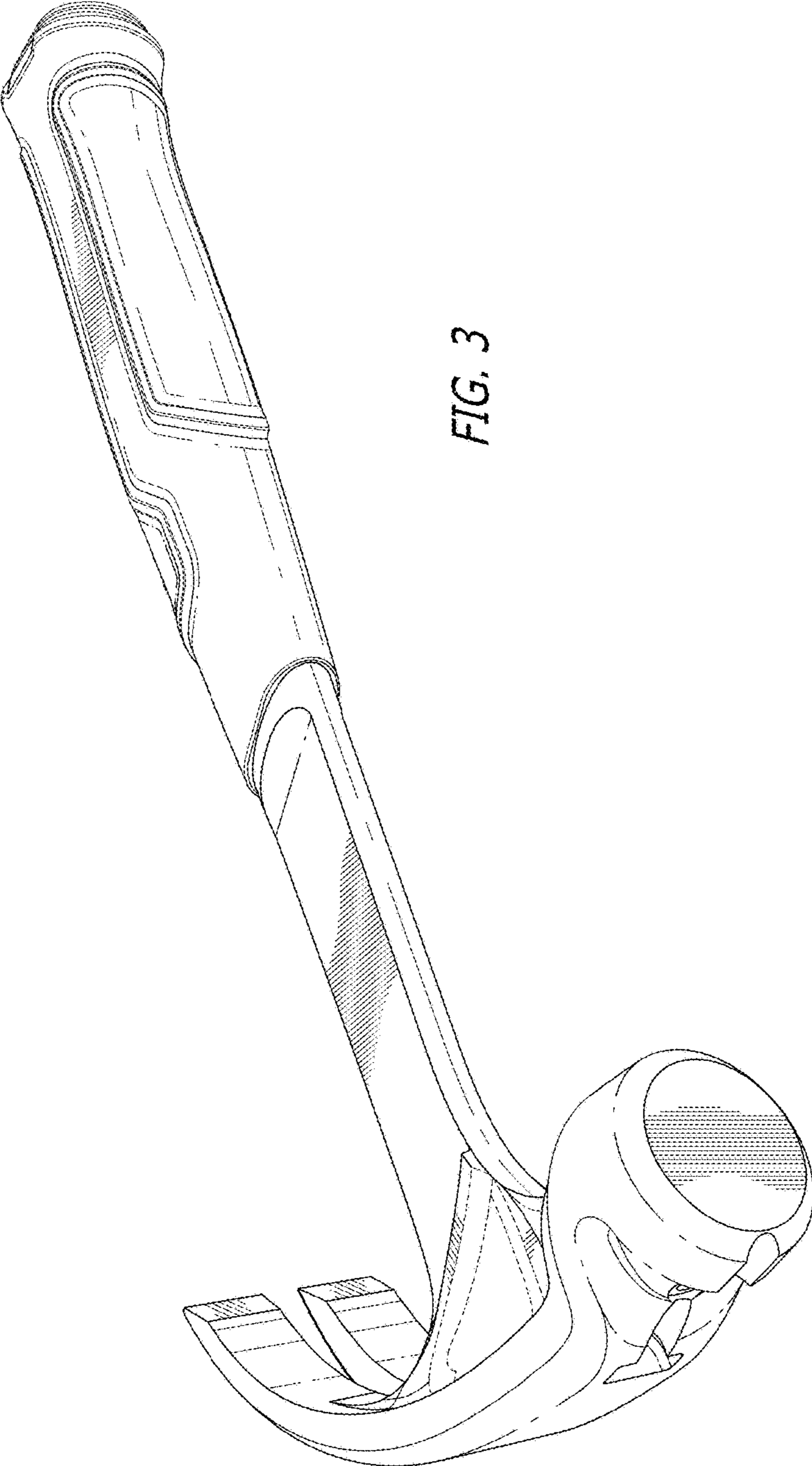


FIG. 2





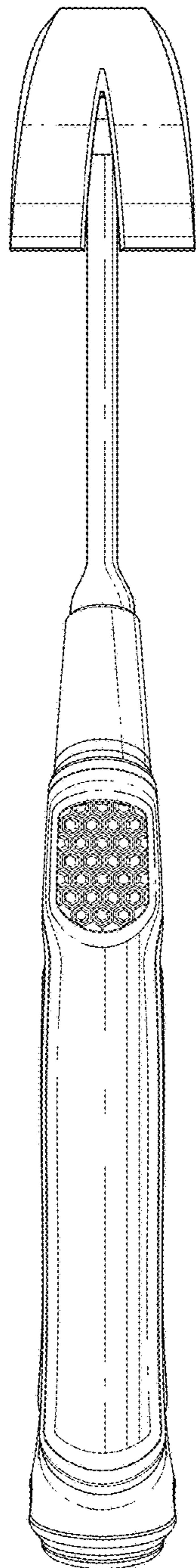


FIG. 4

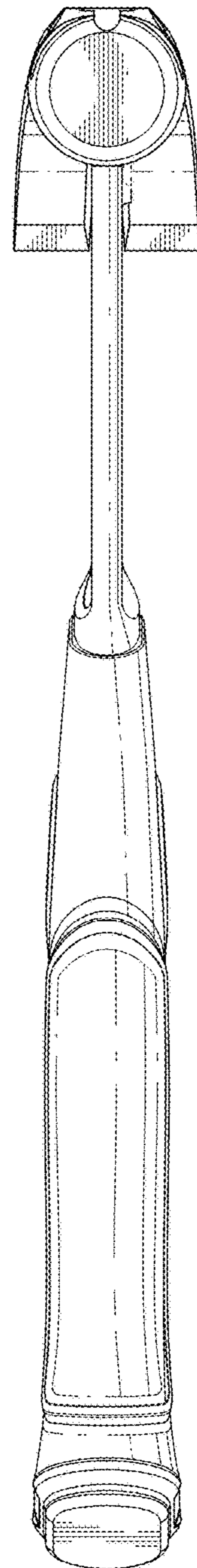


FIG. 5

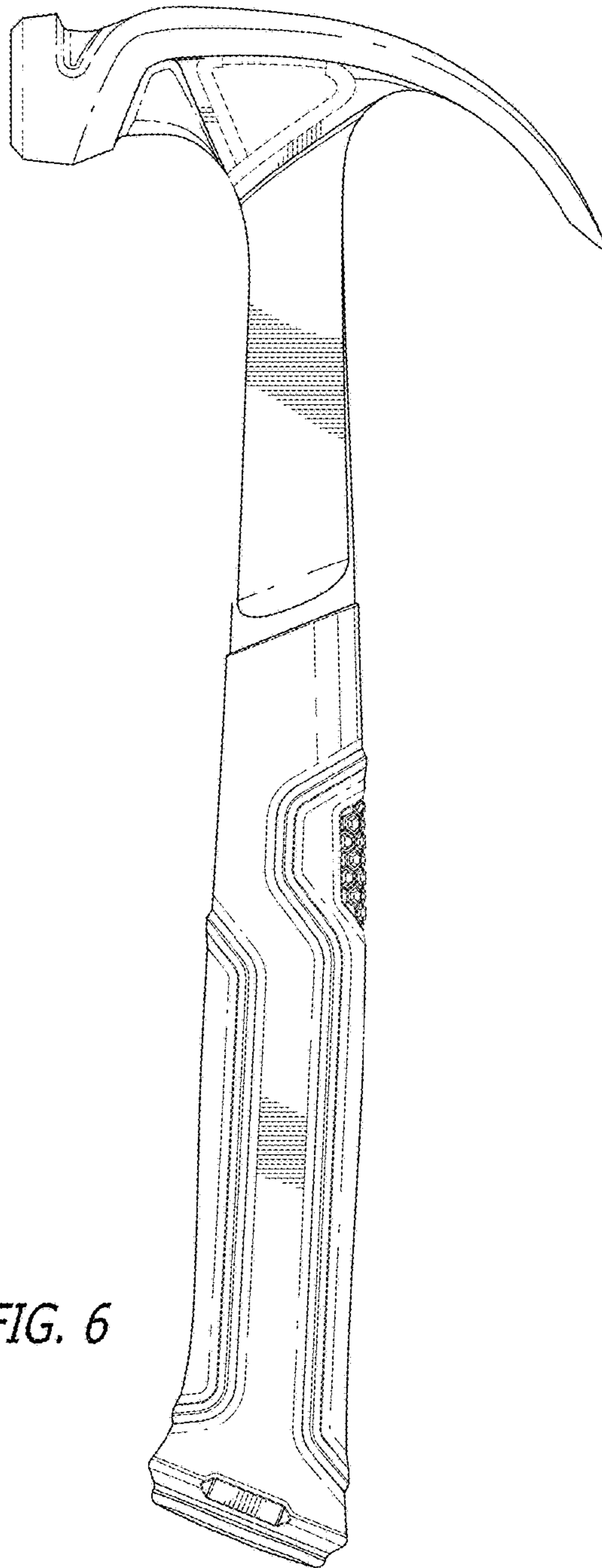
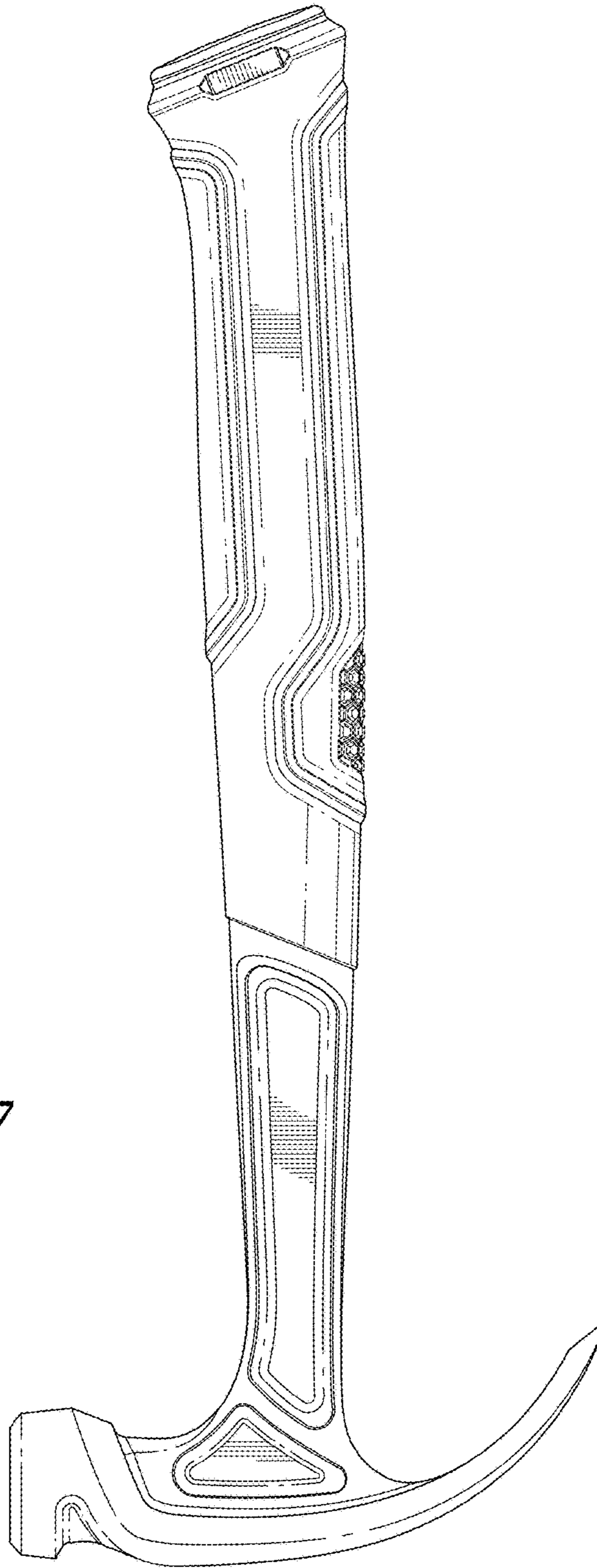
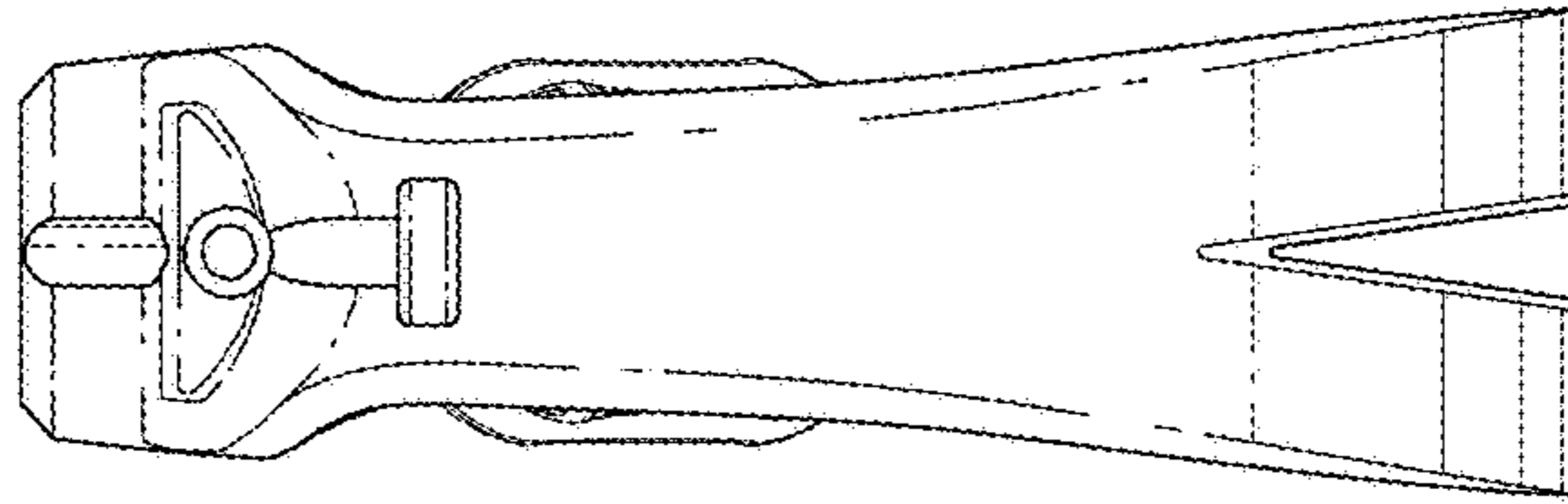


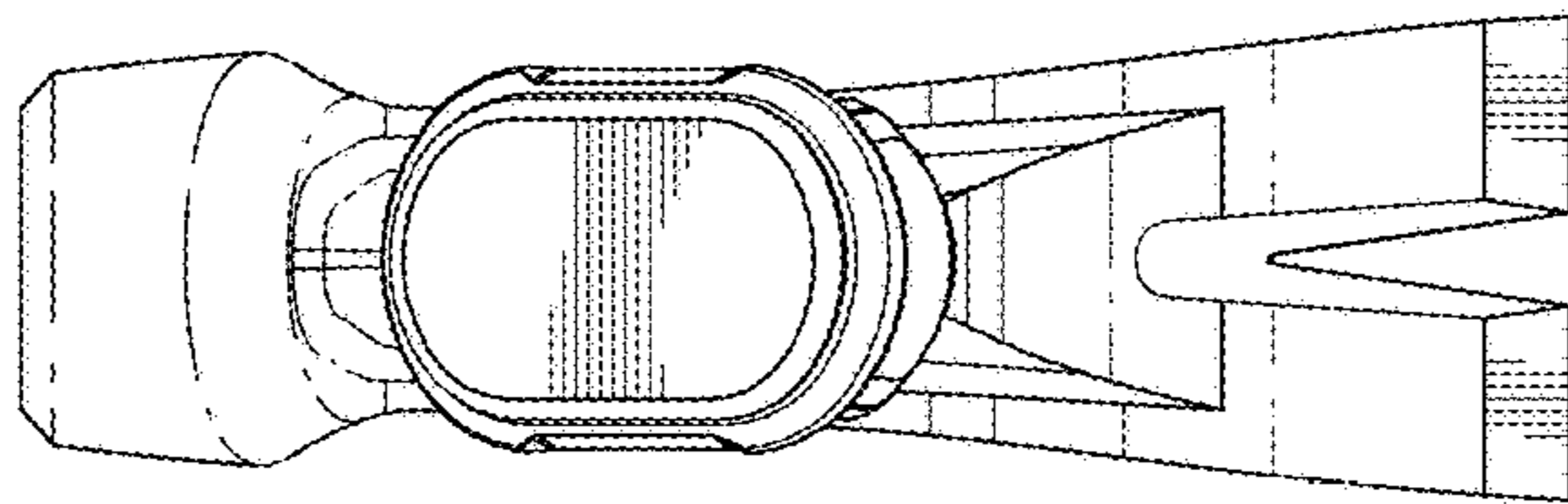
FIG. 6

FIG. 7





*FIG. 8*



*FIG. 9*