



US00D855430S

(12) **United States Design Patent**
Koeniger et al.

(10) **Patent No.:** **US D855,430 S**

(45) **Date of Patent:** **** Aug. 6, 2019**

(54) **COMBINATION HAMMER DRILL**

(71) Applicant: **HILTI AKTIENGESELLSCHAFT**,
Schaan (LI)

(72) Inventors: **Tobias Koeniger**, Bregenz (AT); **Heiko Aupperle**, Oberriet (CH); **Julian Winckler**, Feldkirch (AT); **Yuan Liu**, Shanghai (CN)

(73) Assignee: **Hilti Aktiengesellschaft**, Schaan (LI)

(**) Term: **15 Years**

(21) Appl. No.: **35/503,396**

(22) Filed: **Jan. 20, 2017**

(80) **Hague Agreement Data**

Int. Filing Date: **Jan. 20, 2017**

Int. Reg. No.: **DM/094426**

Int. Reg. Date: **Jan. 20, 2017**

Int. Reg. Pub. Date: **Jul. 21, 2017**

(51) **LOC (12) Cl.** **08-05**

(52) **U.S. Cl.**
USPC **D8/69**

(58) **Field of Classification Search**

USPC D8/69, 68, 61, 14.1

CPC B25D 1/00; B25D 2216/0023; B25F 1/00

See application file for complete search history.

(56) **References Cited**

U.S. PATENT DOCUMENTS

D466,780 S * 12/2002 Stirm D8/69
D474,092 S * 5/2003 Stirm D8/69
D528,393 S * 9/2006 Stirm D8/69
D676,731 S * 2/2013 Aglassinger D8/69
D679,162 S * 4/2013 Aglassinger D8/69

D691,011 S * 10/2013 Walz D8/68
D706,603 S * 6/2014 Kokawa D8/16
D740,636 S * 10/2015 Koeniger D8/69
D762,435 S * 8/2016 Itoh D8/69
D791,565 S * 7/2017 Hyma B25D 11/04
D8/69
D799,929 S * 10/2017 Aoki D8/69
D815,933 S * 4/2018 Koeniger D8/69

* cited by examiner

Primary Examiner — Eliza Z Bennett-Hattan

(74) *Attorney, Agent, or Firm* — Crowell & Moring LLP

(57) **CLAIM**

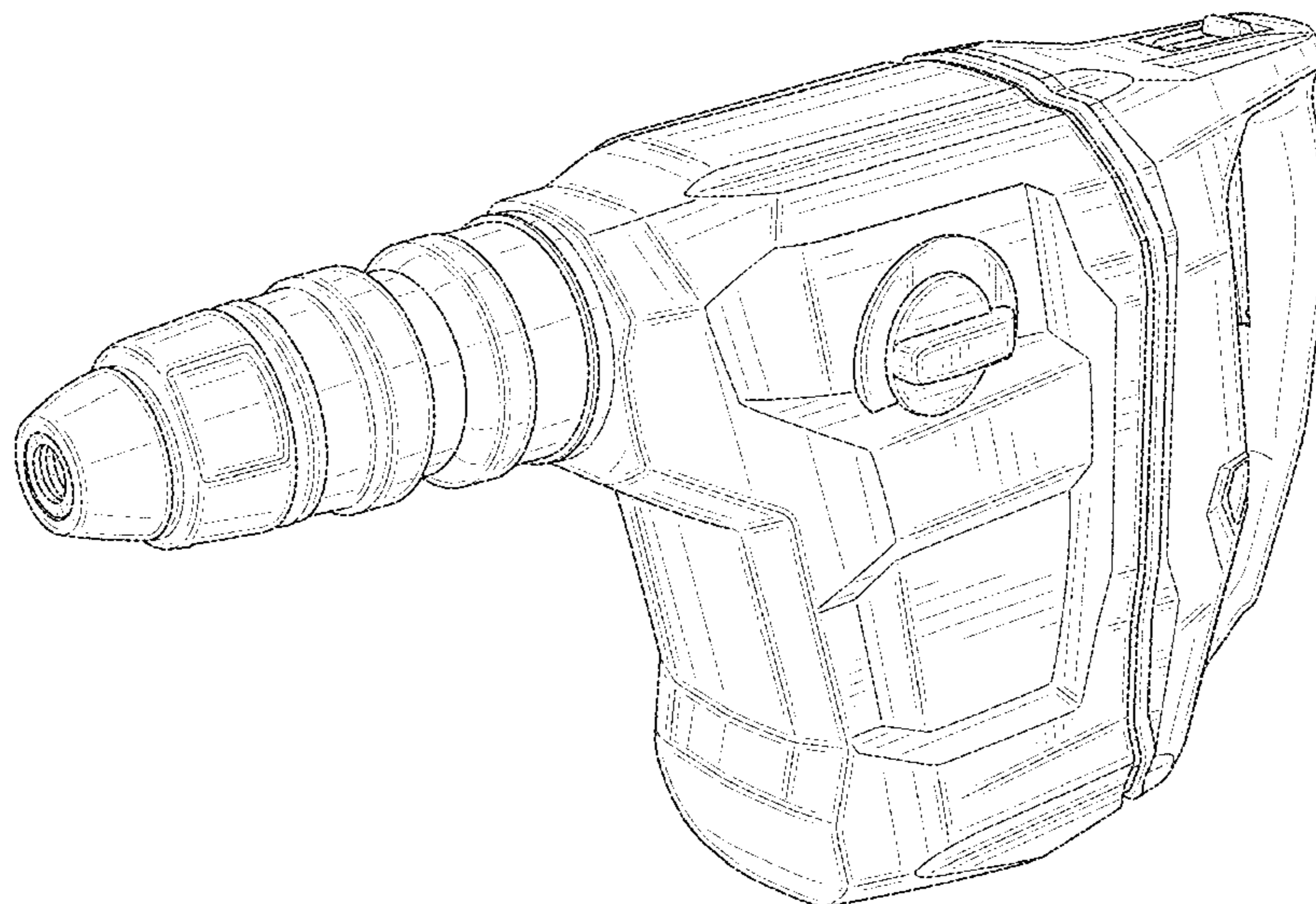
The ornamental design for a combination hammer drill, as shown and described.

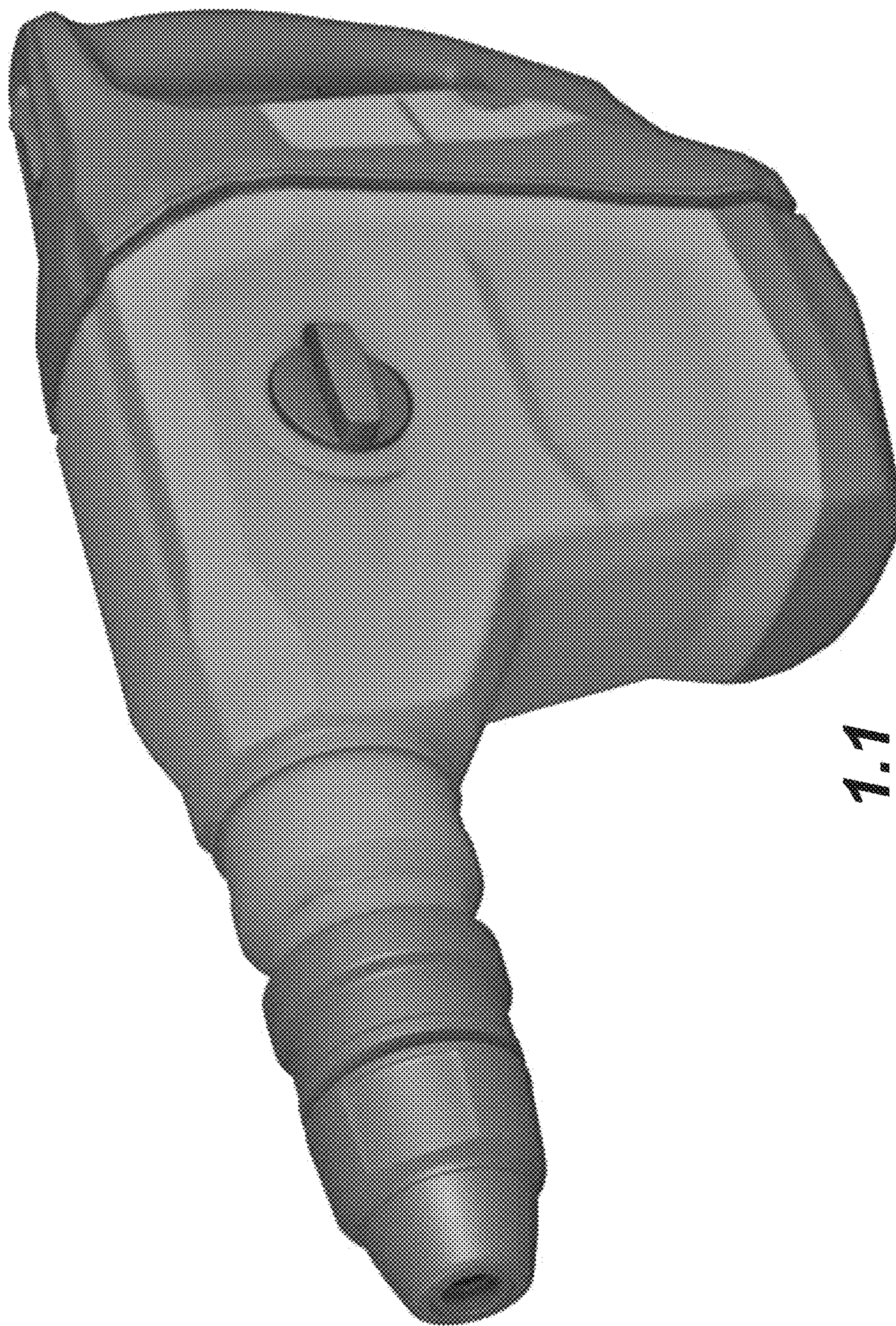
DESCRIPTION

1.-2. Combination hammer drill
1.1 is a perspective view of a first embodiment of a combination hammer drill showing our new design;
1.2 is another perspective view thereof;
1.3 is a left side elevation view thereof;
1.4 is a right side elevation view thereof;
1.5 is a front elevation view thereof;
1.6 is a rear elevation view thereof;
1.7 is a top plan view thereof; and
1.8 is a bottom plan view thereof;
2.1 is a perspective view of a second embodiment thereof;
2.2 is a another perspective view thereof;
2.3 is a left side elevation view thereof;
2.4 is a right side elevation view thereof;
2.5 is a front elevation view thereof;
2.6 is a rear elevation view thereof;
2.7 is a top plan view thereof; and
2.8 is a bottom plan view thereof.

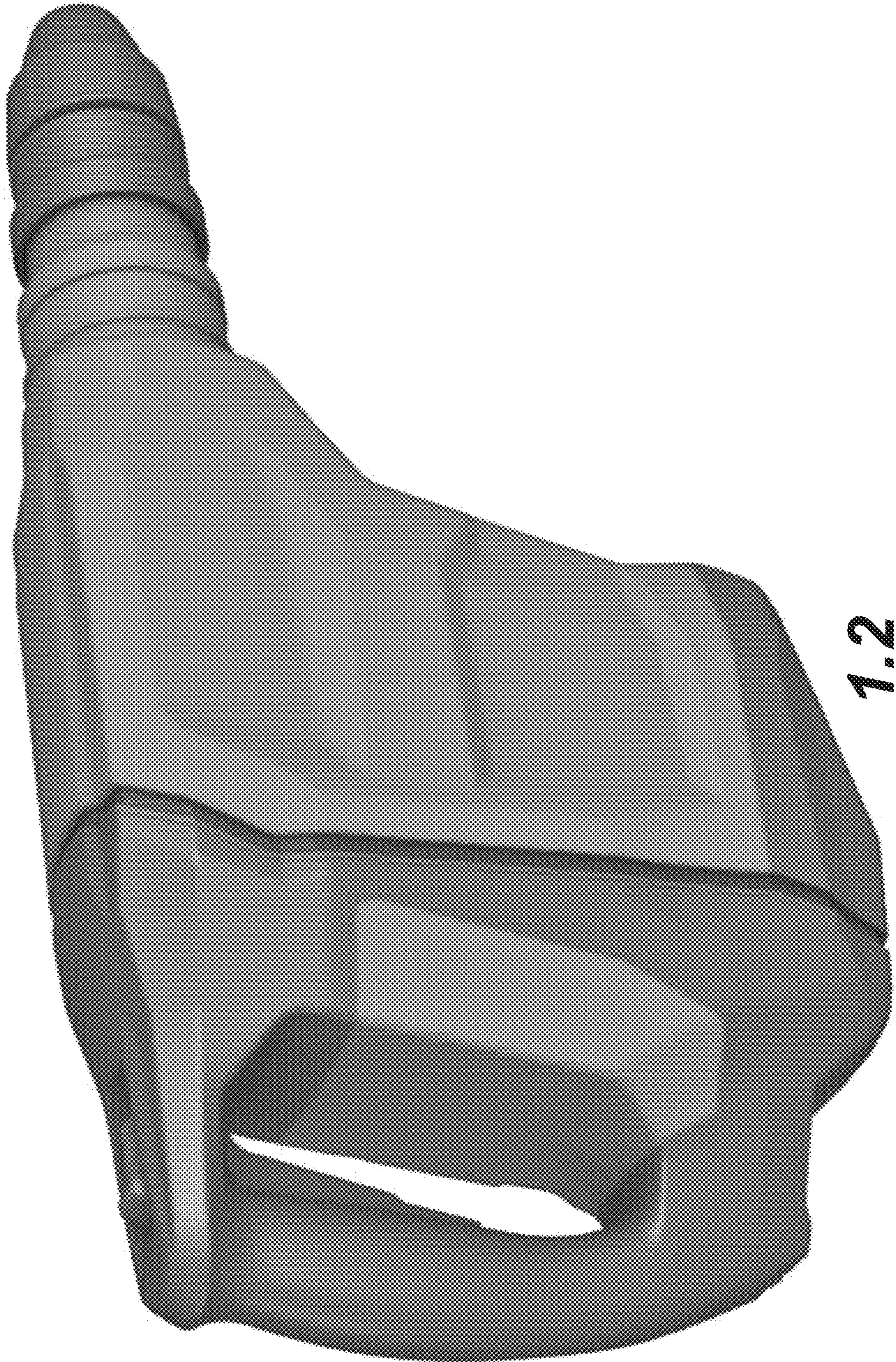
Broken lines illustrate disclaimed features and form no part of the claimed design.

1 Claim, 16 Drawing Sheets

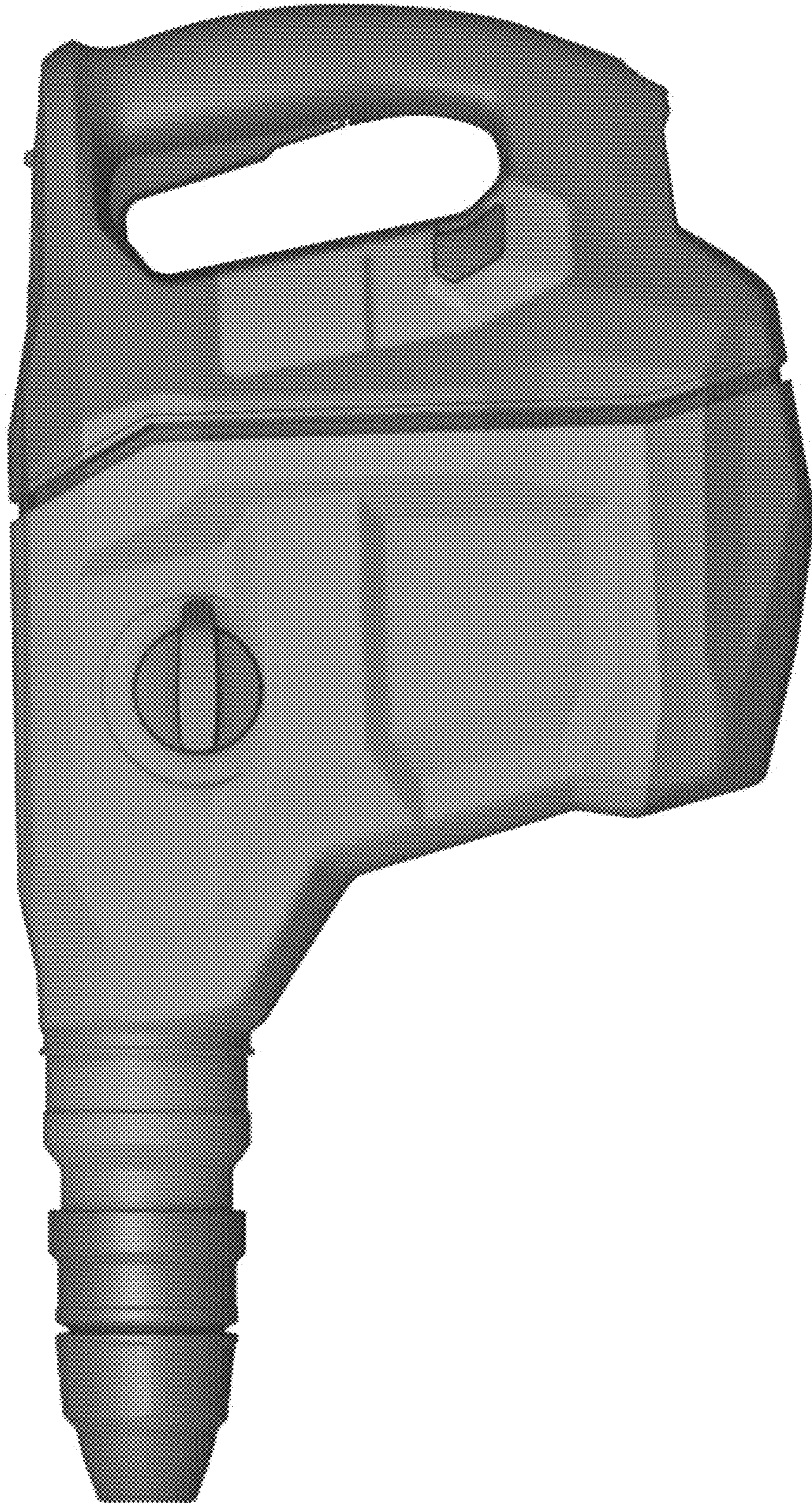




1.1



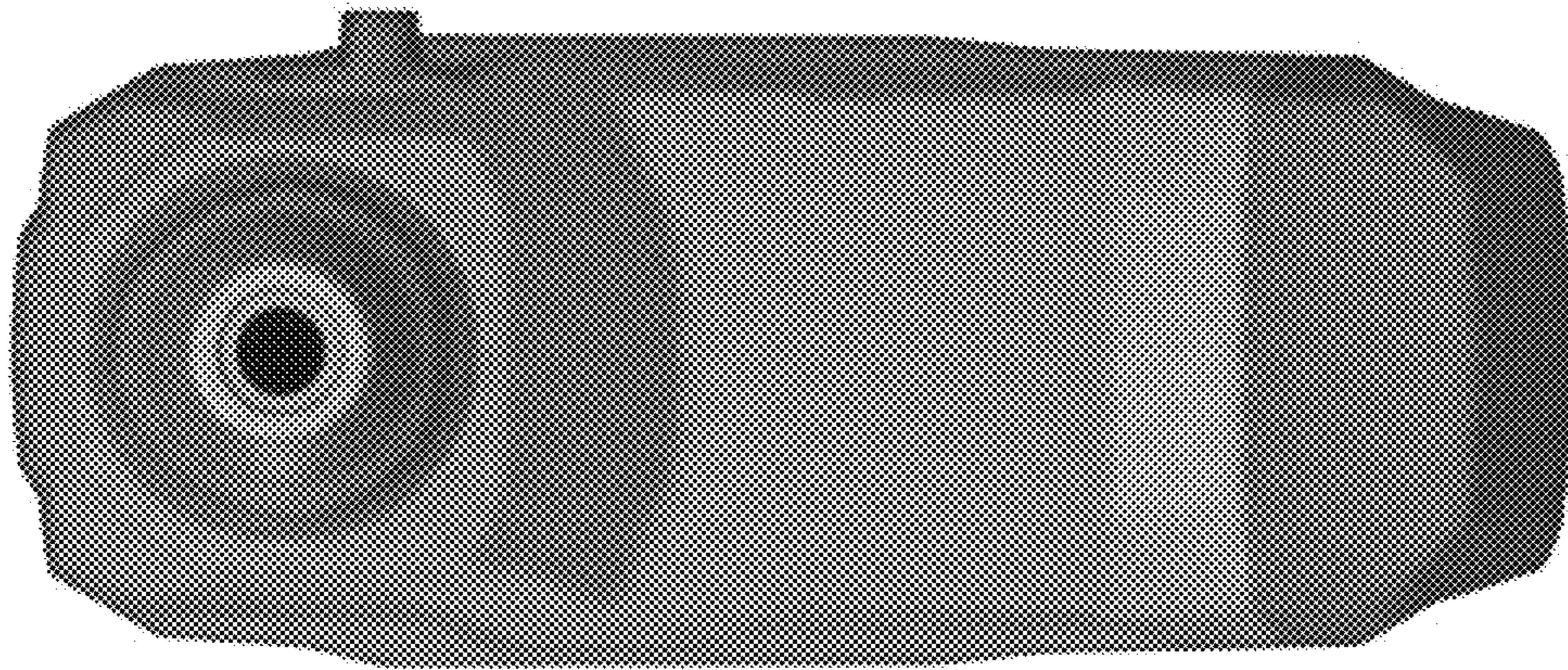
1.2



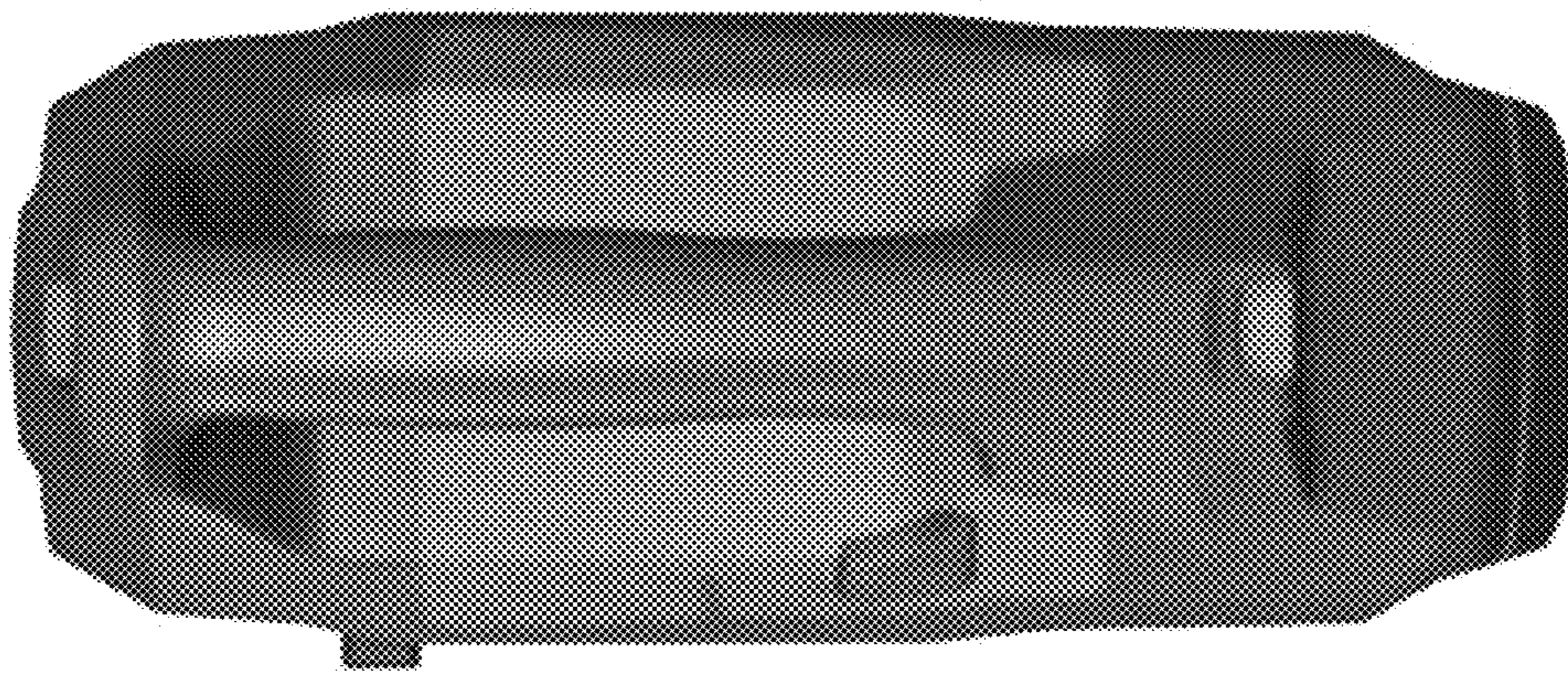
1.3



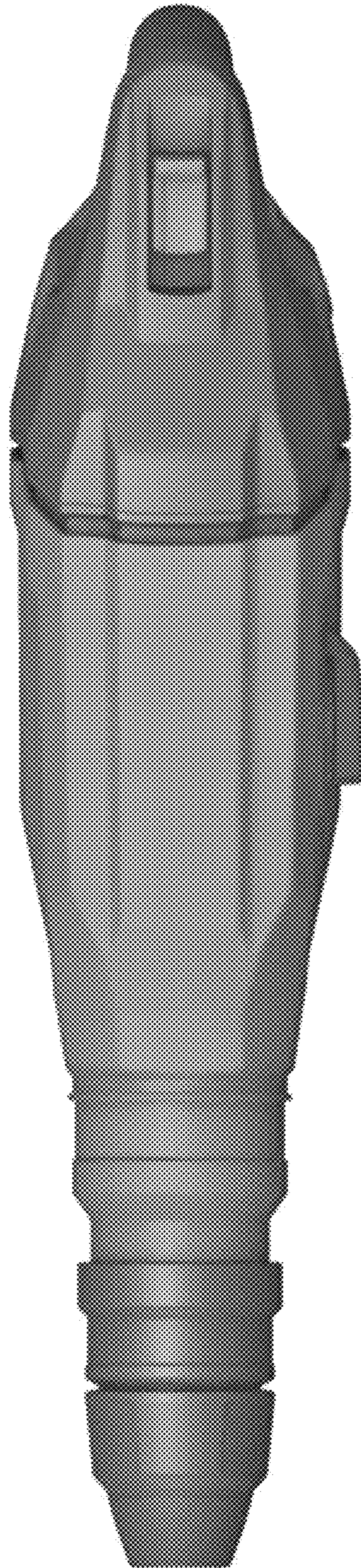
1.4



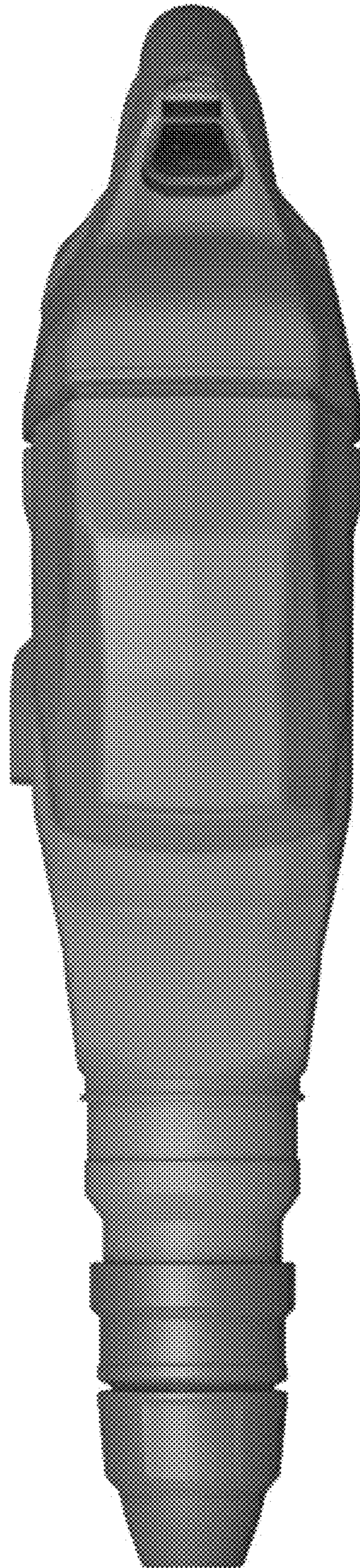
1.5



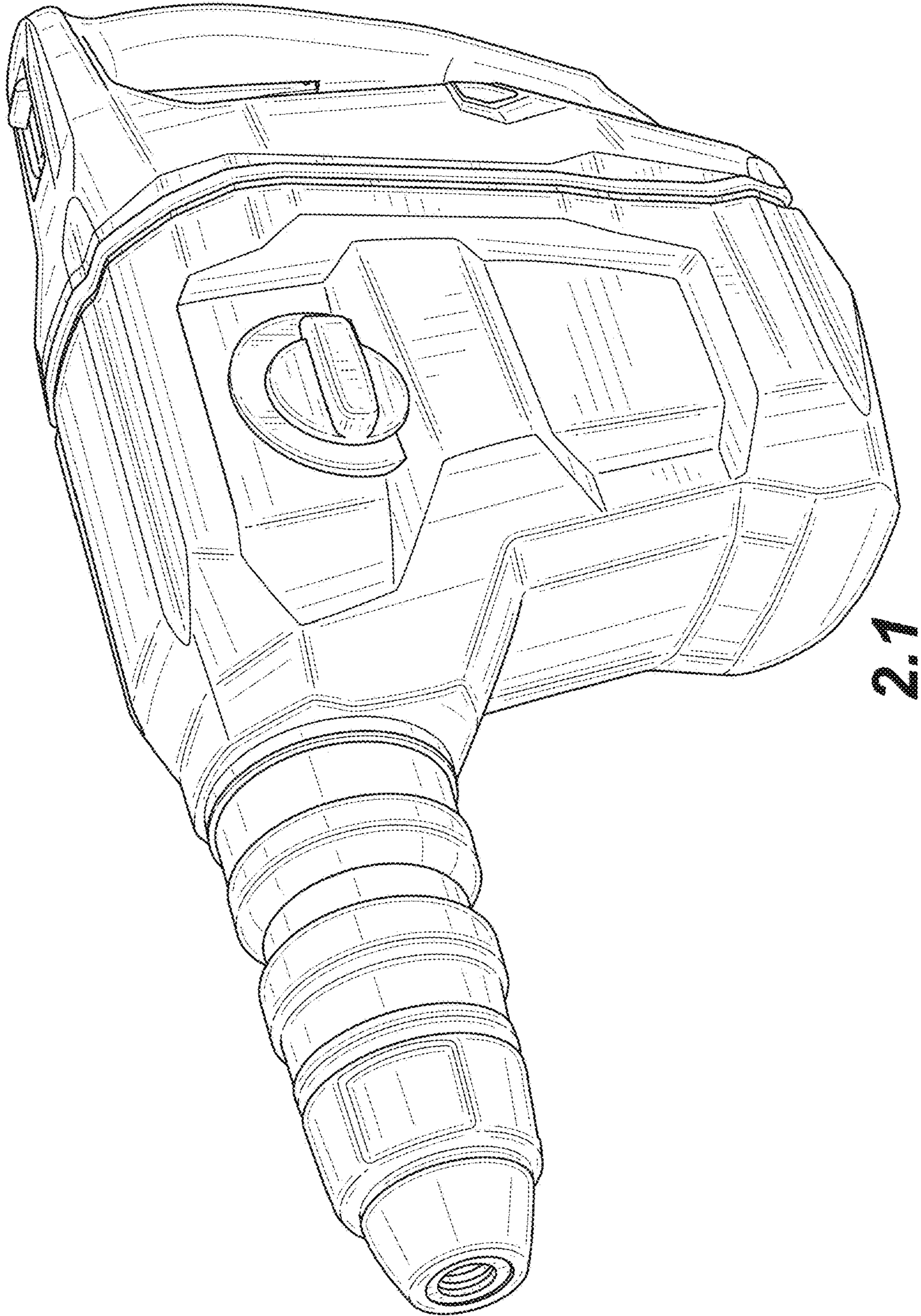
1.6



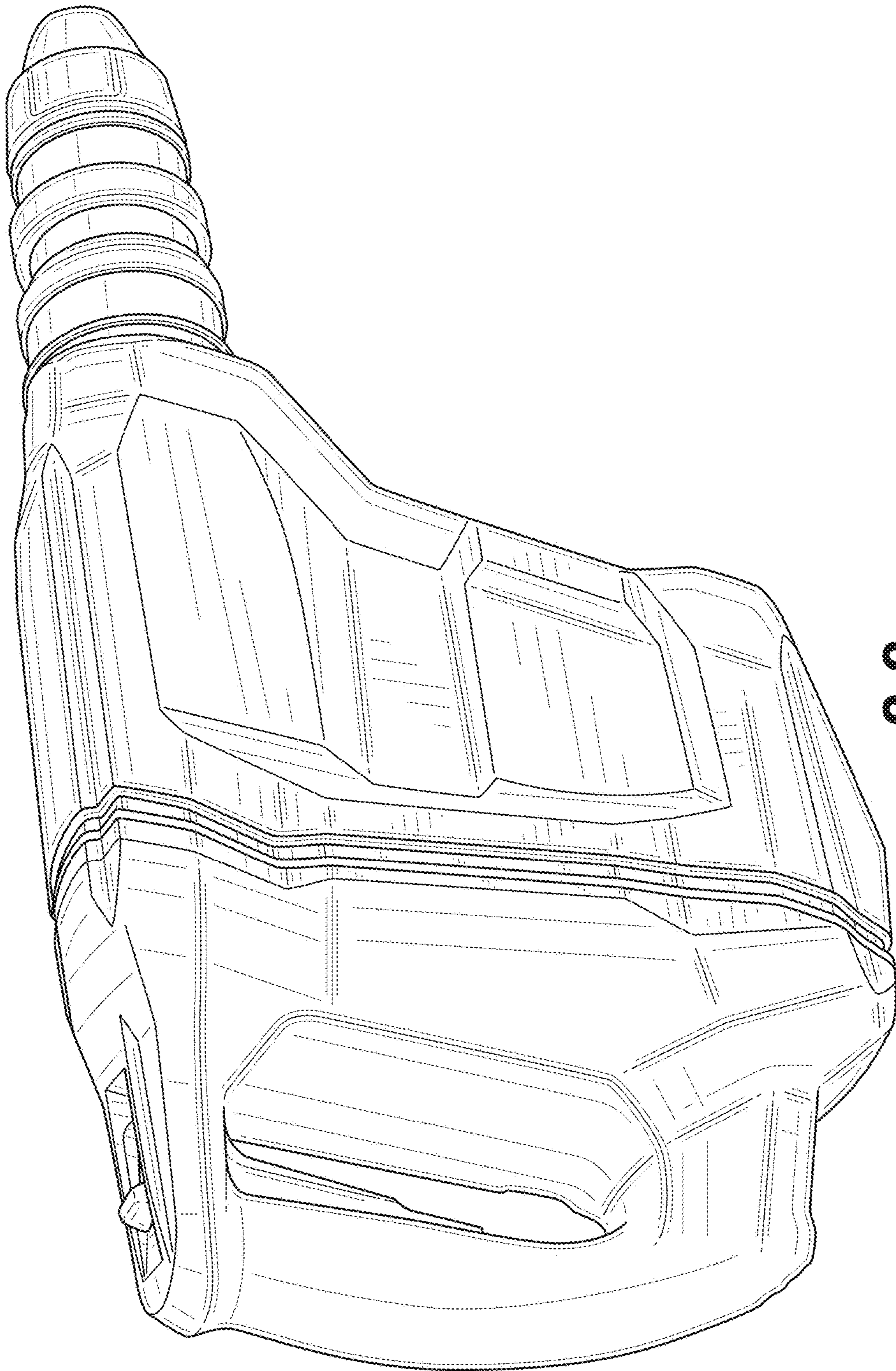
1.7



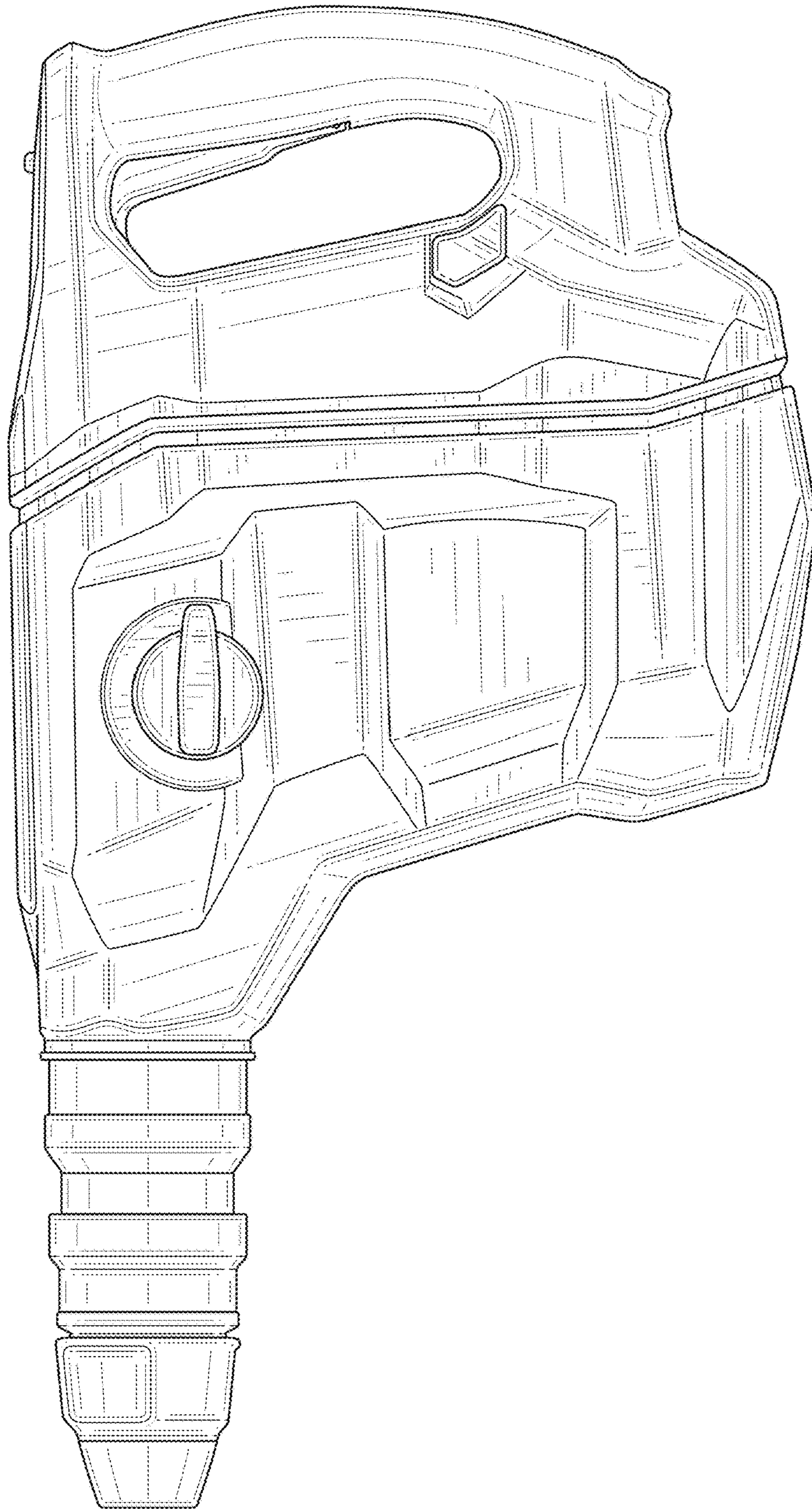
1.8



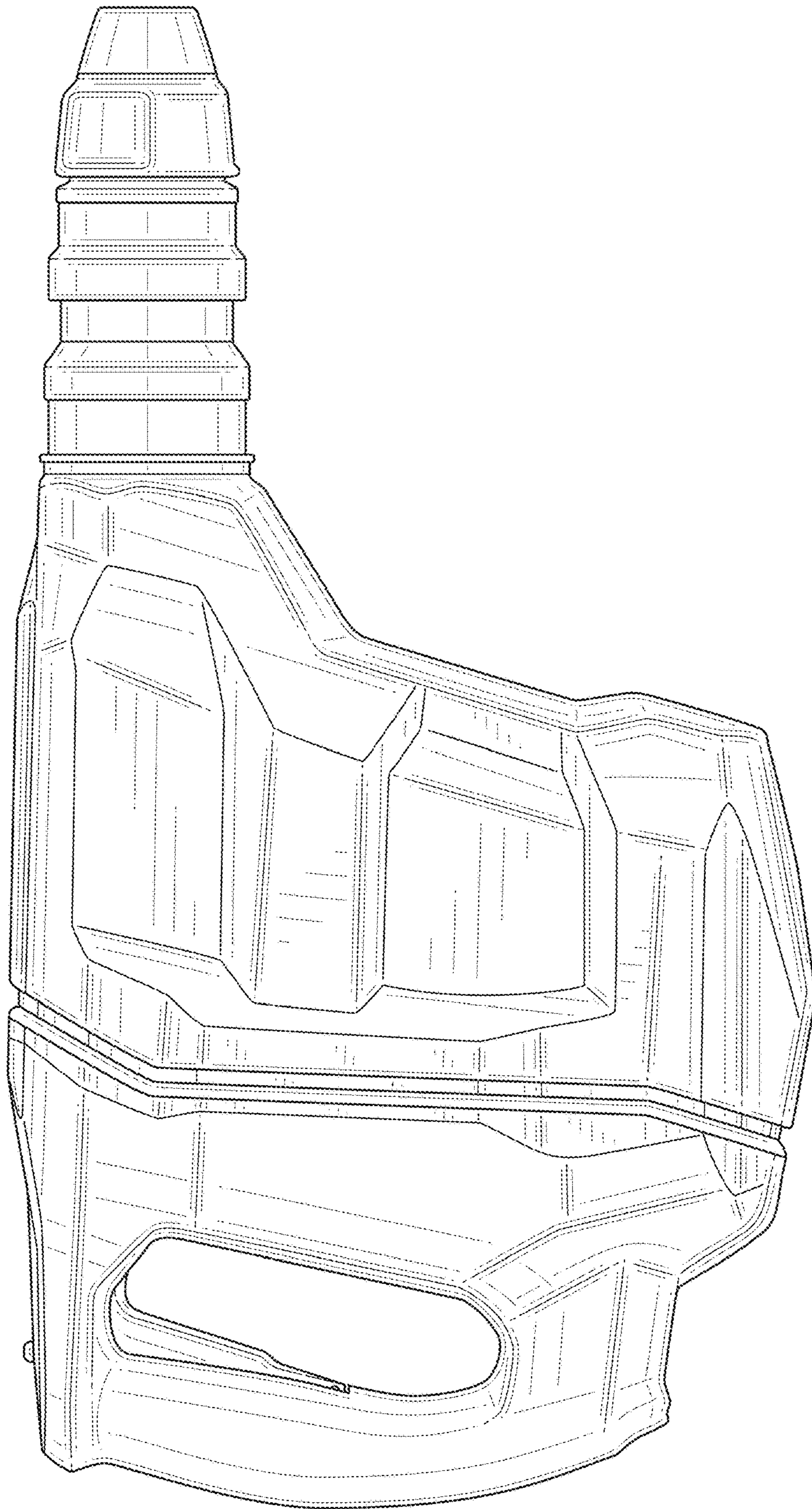
2.1



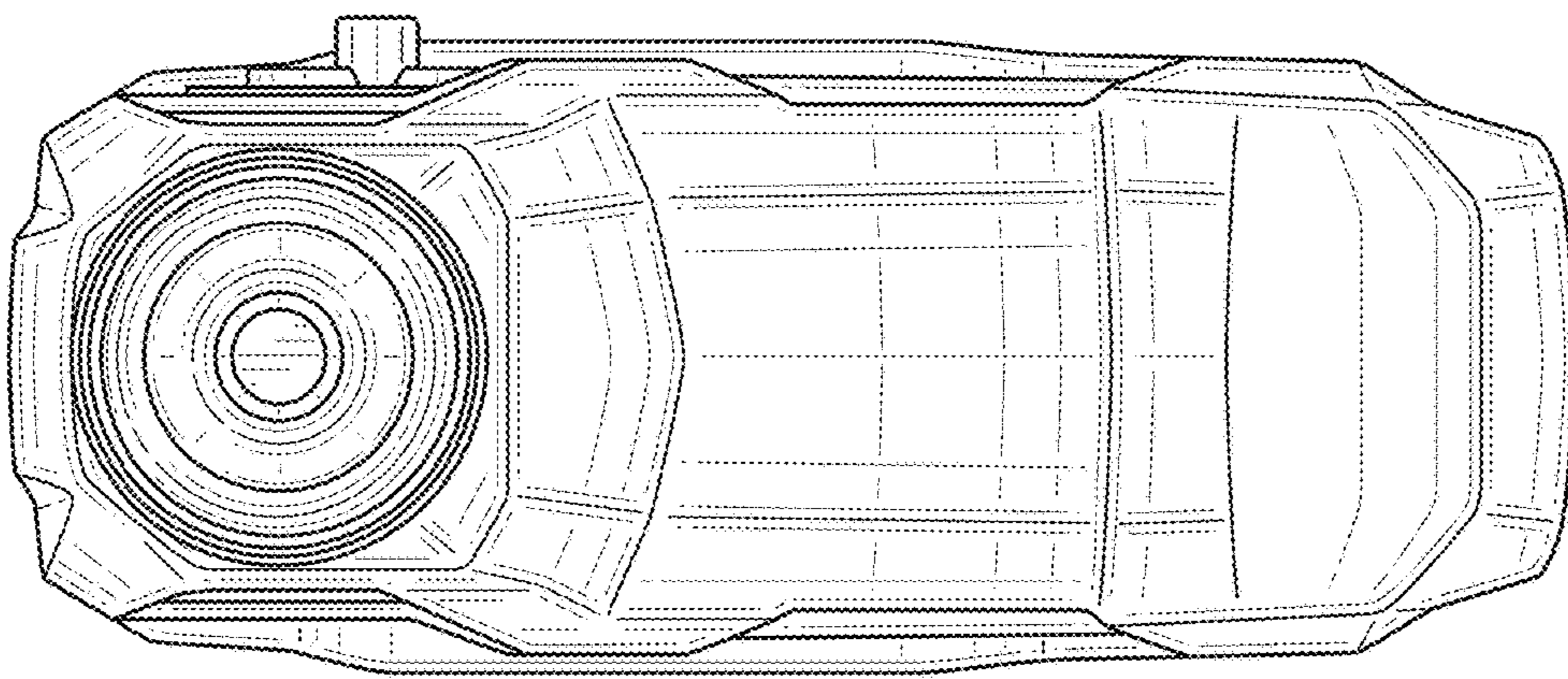
2.2



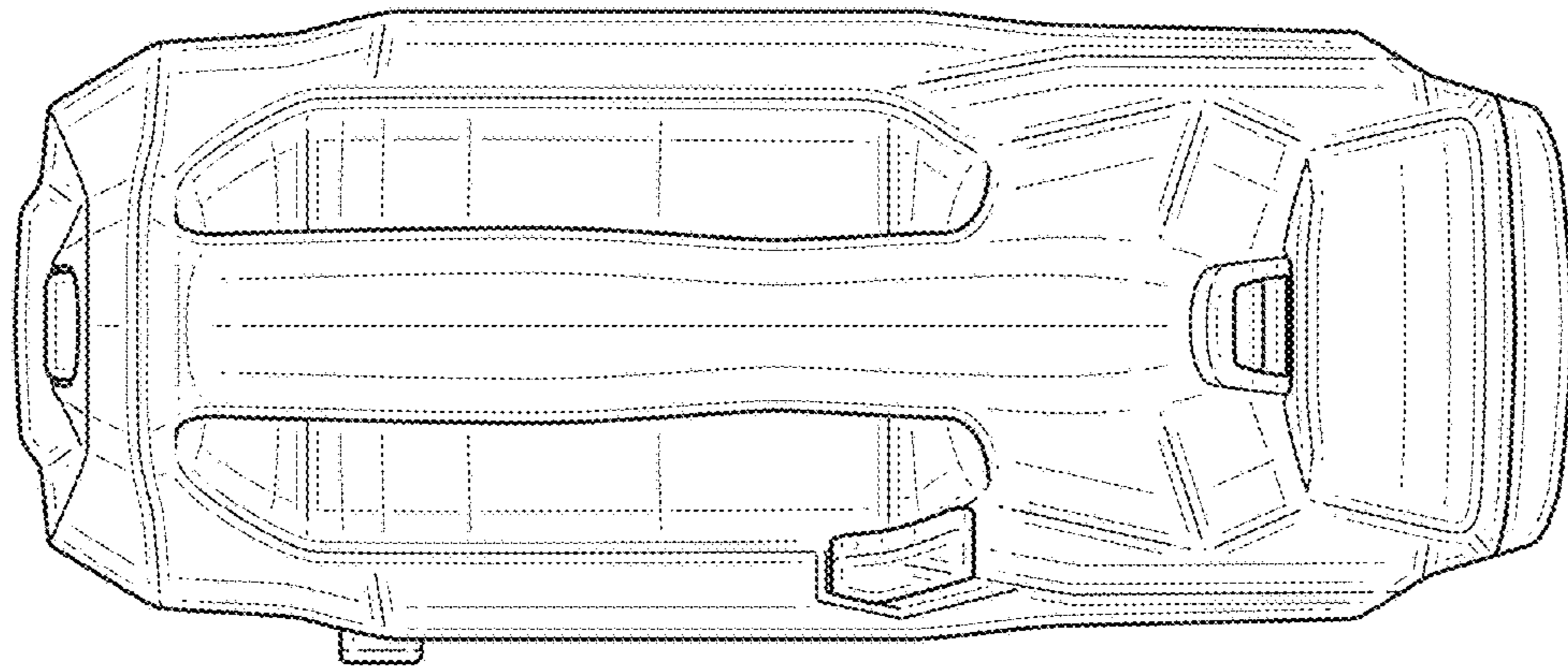
2.3



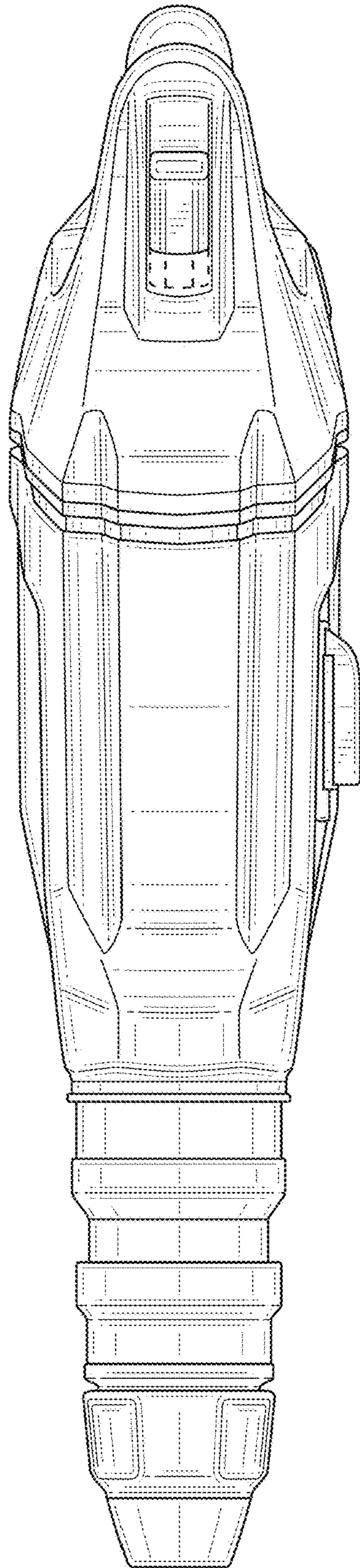
2.4



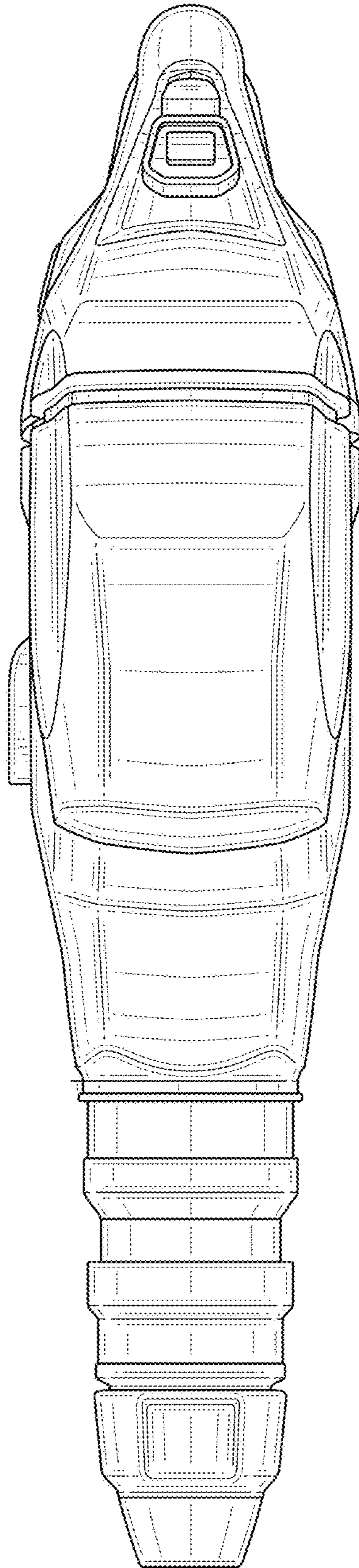
2.5



2.6



2.7



2.8