



US00D855429S

(12) **United States Design Patent** (10) **Patent No.:** **US D855,429 S**
Koeniger et al. (45) **Date of Patent:** **** Aug. 6, 2019**

(54) **CORDLESS ROTARY HAMMER**
(71) Applicant: **Hilti Aktiengesellschaft**, Schaan (LI)
(72) Inventors: **Tobias Koeniger**, Bregenz (AU);
Graham Keevy, Aalen (DE); **Christian Scheidel**, Aalen (DE); **Farouk Zemni**, Stuttgart (DE)
(73) Assignee: **Hilti Aktiengesellschaft**, Schaan (LI)

D543,082 S *	5/2007	Stirm	D8/69
D575,606 S *	8/2008	Okouchi	D8/69
D581,235 S *	11/2008	Aglassinger	D8/69
D663,183 S *	7/2012	Sell	D8/69
D676,731 S *	2/2013	Aglassinger	D8/69
D691,011 S *	10/2013	Walz	D8/68
D695,086 S *	12/2013	Walz	D8/68
D740,636 S *	10/2015	Koeniger	D8/69
2014/0318821 A1 *	10/2014	Wylar	B25D 11/125 173/104

(**) Term: **15 Years**
(21) Appl. No.: **29/612,557**
(22) Filed: **Aug. 2, 2017**

Related U.S. Application Data

(62) Division of application No. 35/500,734, filed on Mar. 7, 2016 (U.S. filing date under 35 U.S.C. 384), and having an international filing date of Mar. 7, 2016, now Pat. No. Des. 797,535.
(51) **LOC (12) Cl.** **08-05**
(52) **U.S. Cl.**
USPC **D8/69**
(58) **Field of Classification Search**
USPC D8/14.1, 61-70
CPC B25D 16/00; B25D 17/02; B25D 11/125
See application file for complete search history.

(56) **References Cited**

U.S. PATENT DOCUMENTS

D524,626 S *	7/2006	Stirm	D8/69
D527,601 S *	9/2006	Stirm	D8/69
D535,537 S *	1/2007	Aglassinger	D8/69
D540,642 S *	4/2007	Stirm	D8/69

FOREIGN PATENT DOCUMENTS

WO	WO DM/075961	6/2011
WO	WO DM/076048	6/2011

* cited by examiner

Primary Examiner — Darlington Ly

(74) *Attorney, Agent, or Firm* — Crowell & Moring LLP

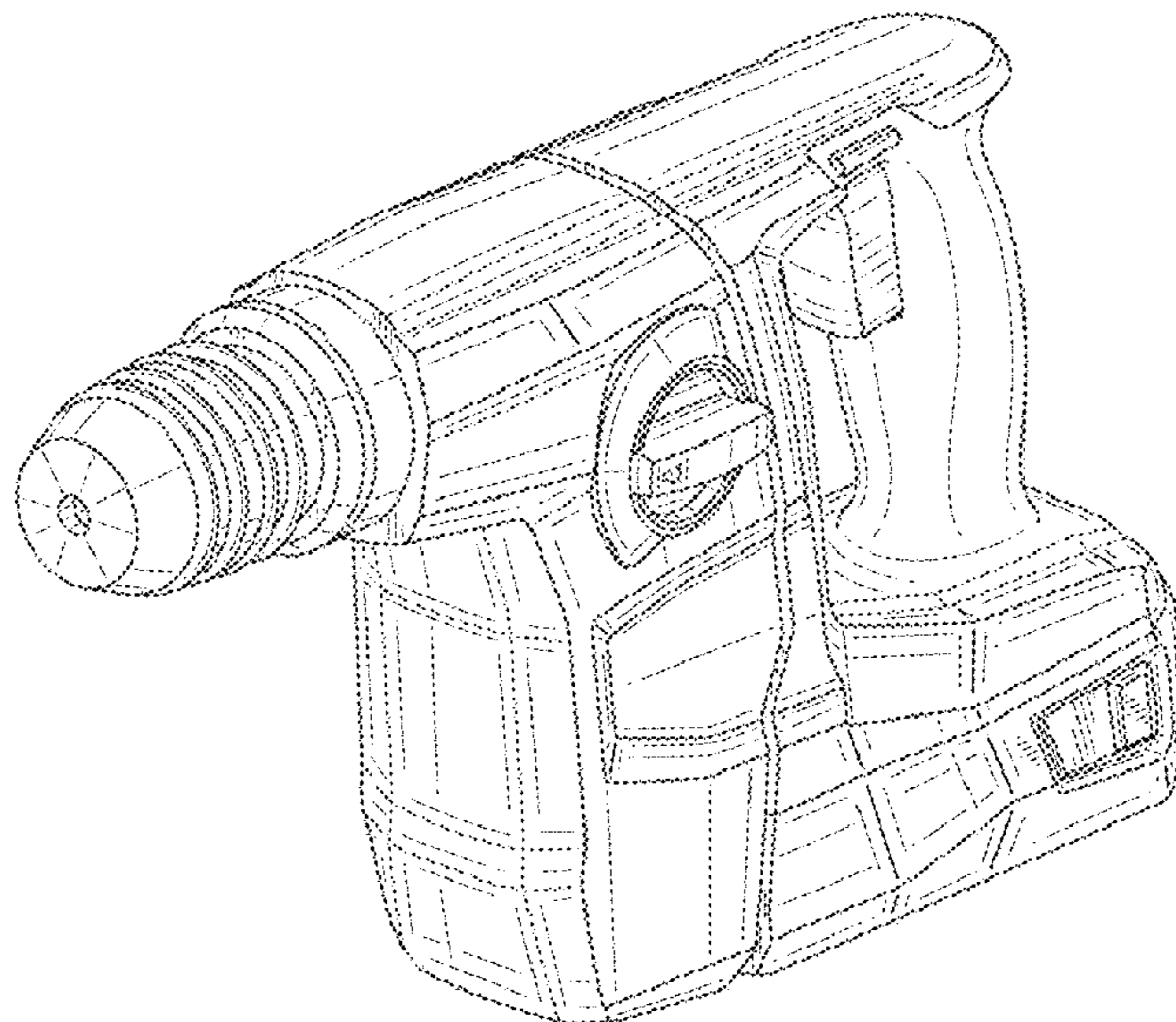
(57) **CLAIM**

The ornamental design for a cordless rotary hammer, as shown and described.

DESCRIPTION

FIG. 1 is a top, front, and left side perspective view of a cordless rotary hammer showing our new design; FIG. 2 is a bottom, rear, and right side perspective view thereof; FIG. 3 is a left side elevation view thereof; FIG. 4 is a right side elevation view thereof; FIG. 5 is a top plan view thereof; FIG. 6 is a bottom plan view thereof; FIG. 7 is a front elevation view thereof; and, FIG. 8 is a rear elevation view thereof.

1 Claim, 8 Drawing Sheets



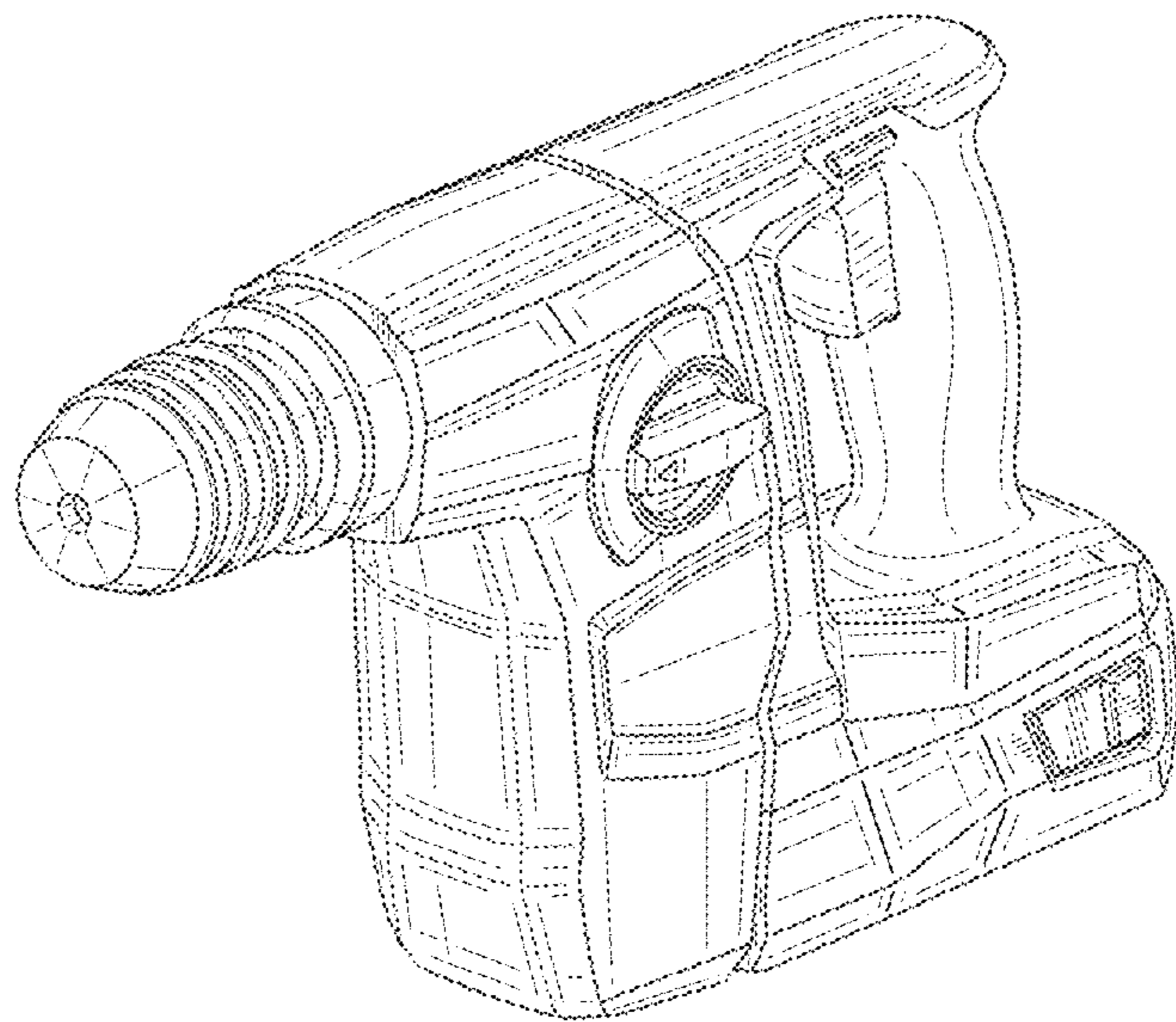


Fig. 1

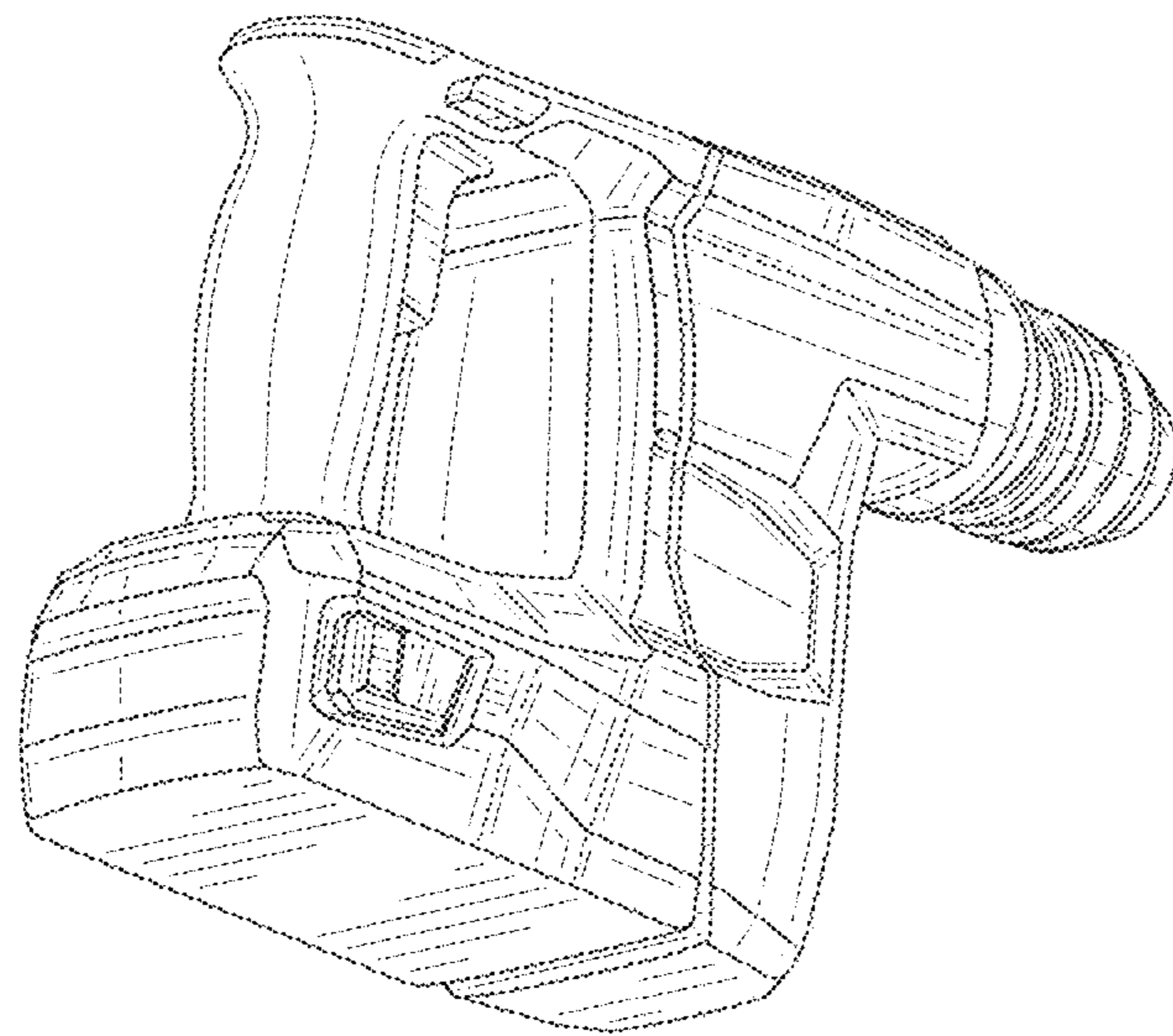


Fig. 2

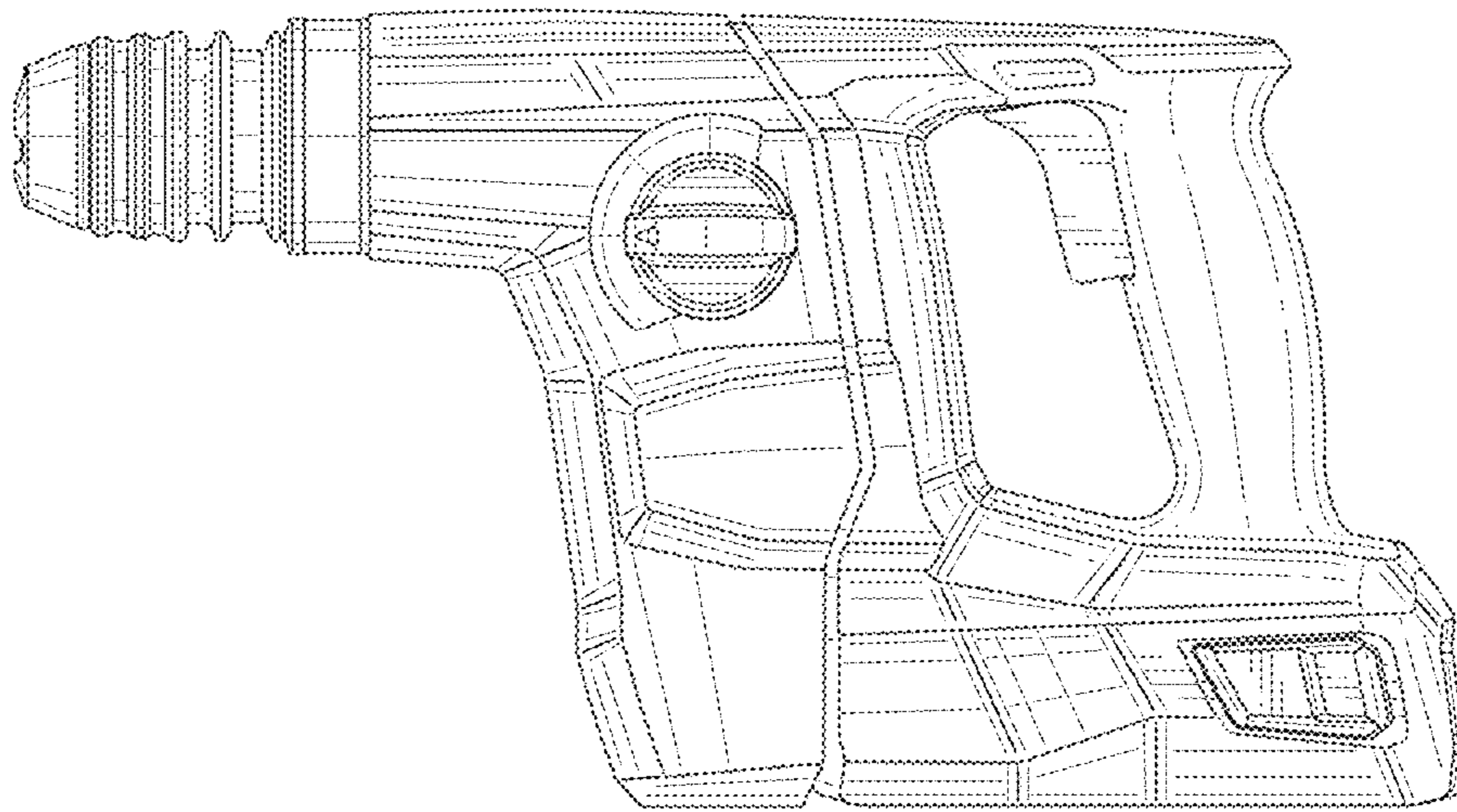


Fig. 3

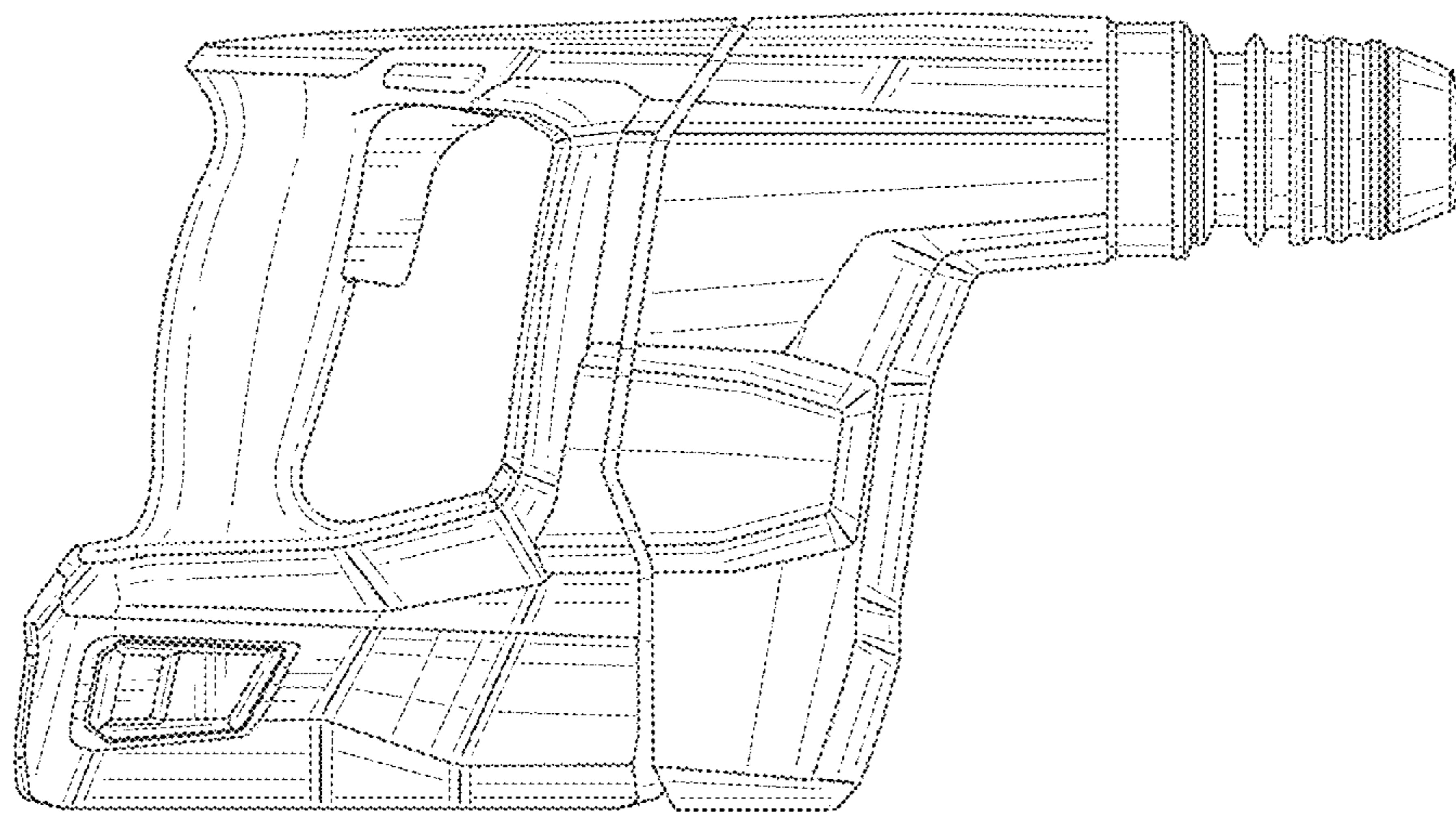


Fig. 4

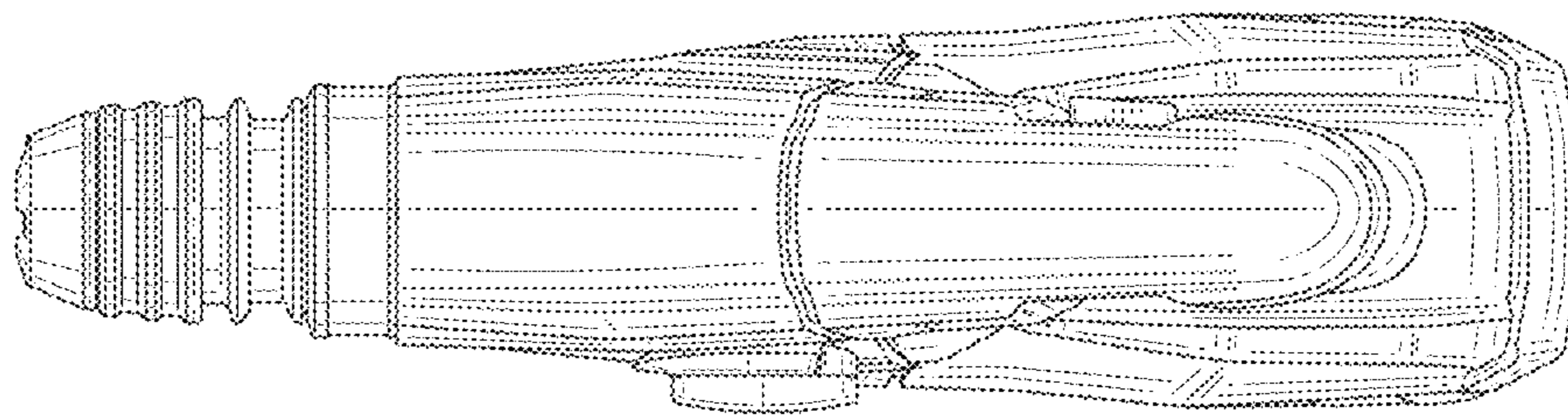


Fig. 5

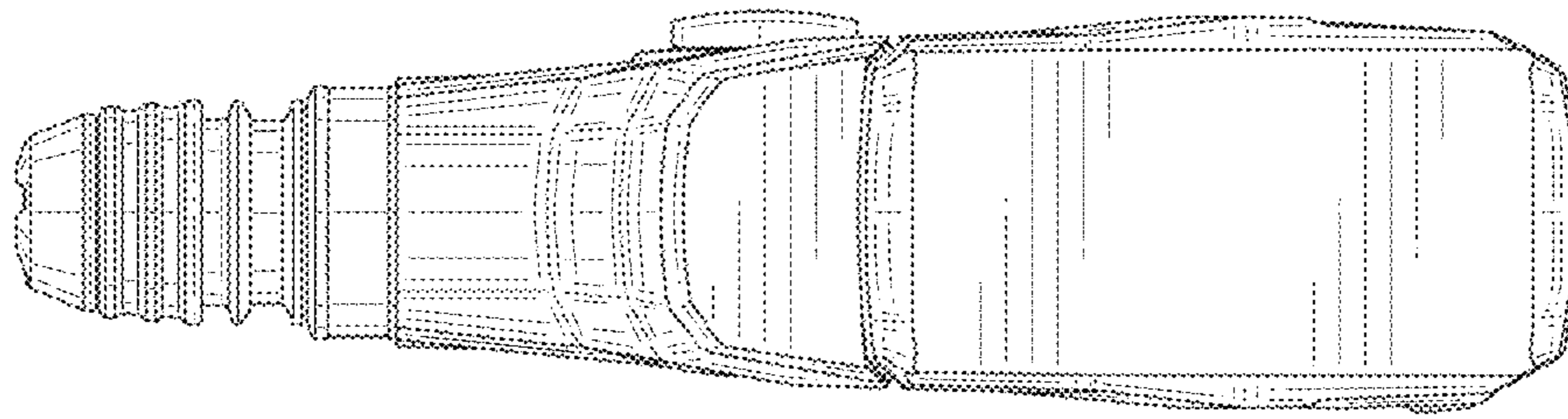


Fig. 6

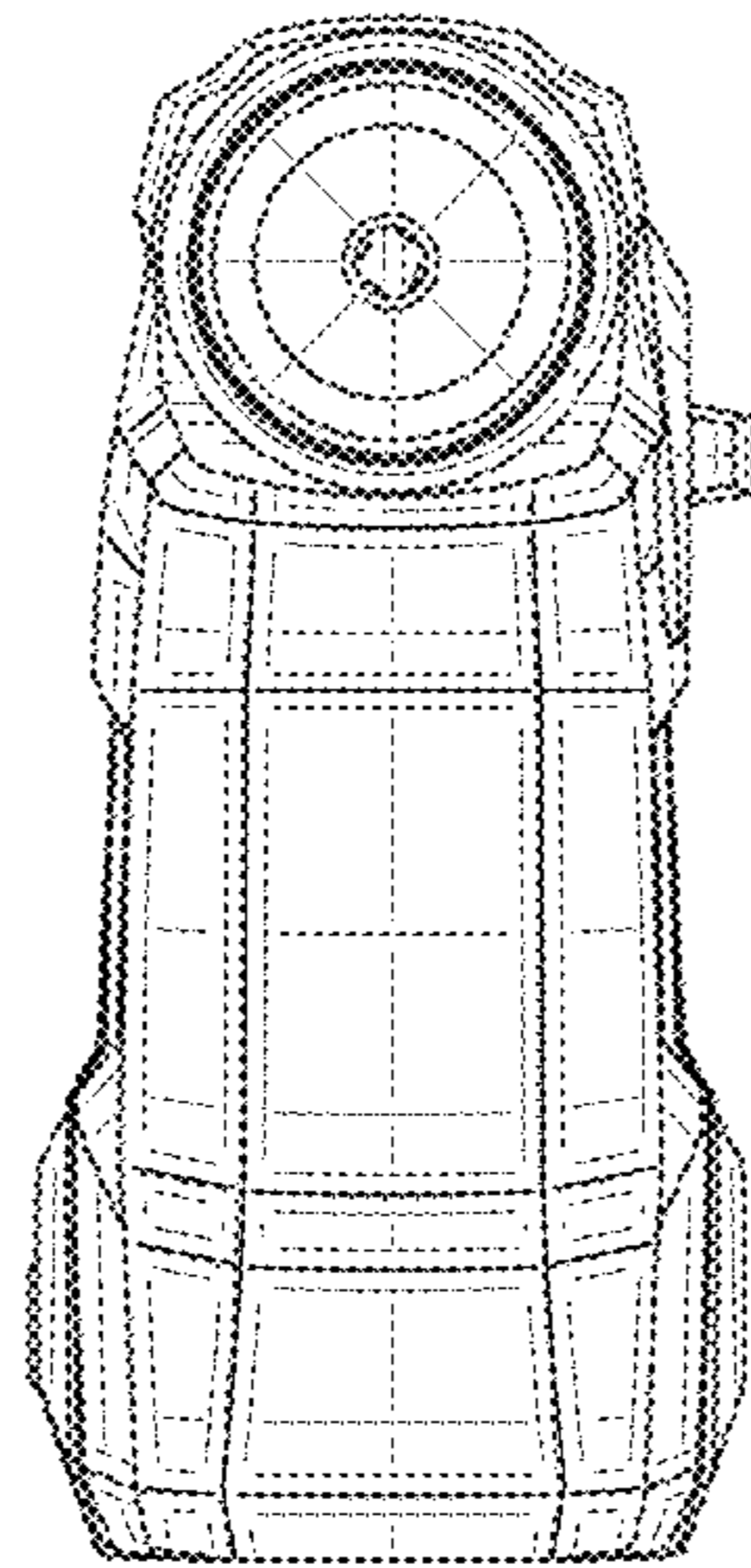


Fig. 7

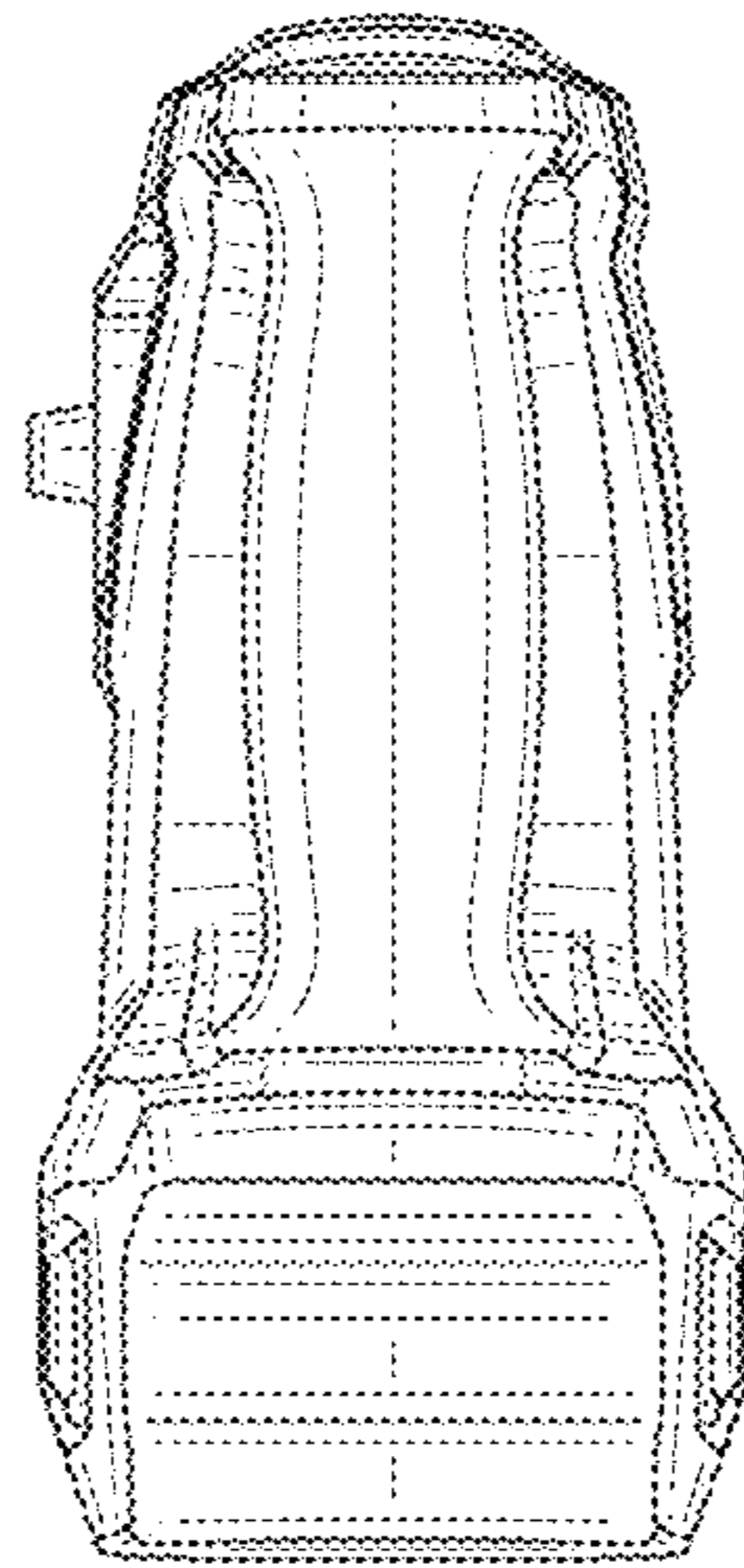


Fig. 8