



US00D855427S

(12) **United States Design Patent**
Miyazawa

(10) **Patent No.:** **US D855,427 S**
(45) **Date of Patent:** **** *Aug. 6, 2019**

(54) **WIRE-TENSIONING DEVICE FOR
LIVE-WIRE SEPARATING TOOL**

(71) Applicant: **NAGAKI SEIKI CO., LTD.**, Osaka
(JP)

(72) Inventor: **Tomoharu Miyazawa**, Osaka (JP)

(73) Assignee: **NAGAKI SEIKI CO., LTD.**, Osaka
(JP)

(*) Notice: This patent is subject to a terminal disclaimer.

(**) Term: **15 Years**

(21) Appl. No.: **29/616,634**

(22) Filed: **Sep. 7, 2017**

(30) **Foreign Application Priority Data**

Feb. 10, 2017 (ID) A00201700299

(51) **LOC (12) Cl.** **08-05**

(52) **U.S. Cl.**
USPC **D8/44**

(58) **Field of Classification Search**
USPC D8/14, 44, 51; D12/159; D15/28;
D34/31
CPC B60M 1/00; B60M 1/26; H02G 7/02
See application file for complete search history.

(56) **References Cited**

U.S. PATENT DOCUMENTS

- 4,372,429 A * 2/1983 Marx F16F 9/38
188/322.12
- 6,439,552 B1 * 8/2002 Ageishi H02G 7/02
188/379
- 7,191,877 B2 * 3/2007 Norgaard F16F 9/3235
188/274
- D553,545 S * 10/2007 Nygren D12/159
(Continued)

FOREIGN PATENT DOCUMENTS

- JP H08-331723 A 12/1996
- JP 2012-213314 11/2012

OTHER PUBLICATIONS

U.S. Appl. No. 29/616,631 to Tomoharu Miyazawa, filed Sep. 7, 2017.

Primary Examiner — Philip S Hyder

(74) *Attorney, Agent, or Firm* — Greenblum & Bernstein, P.L.C.

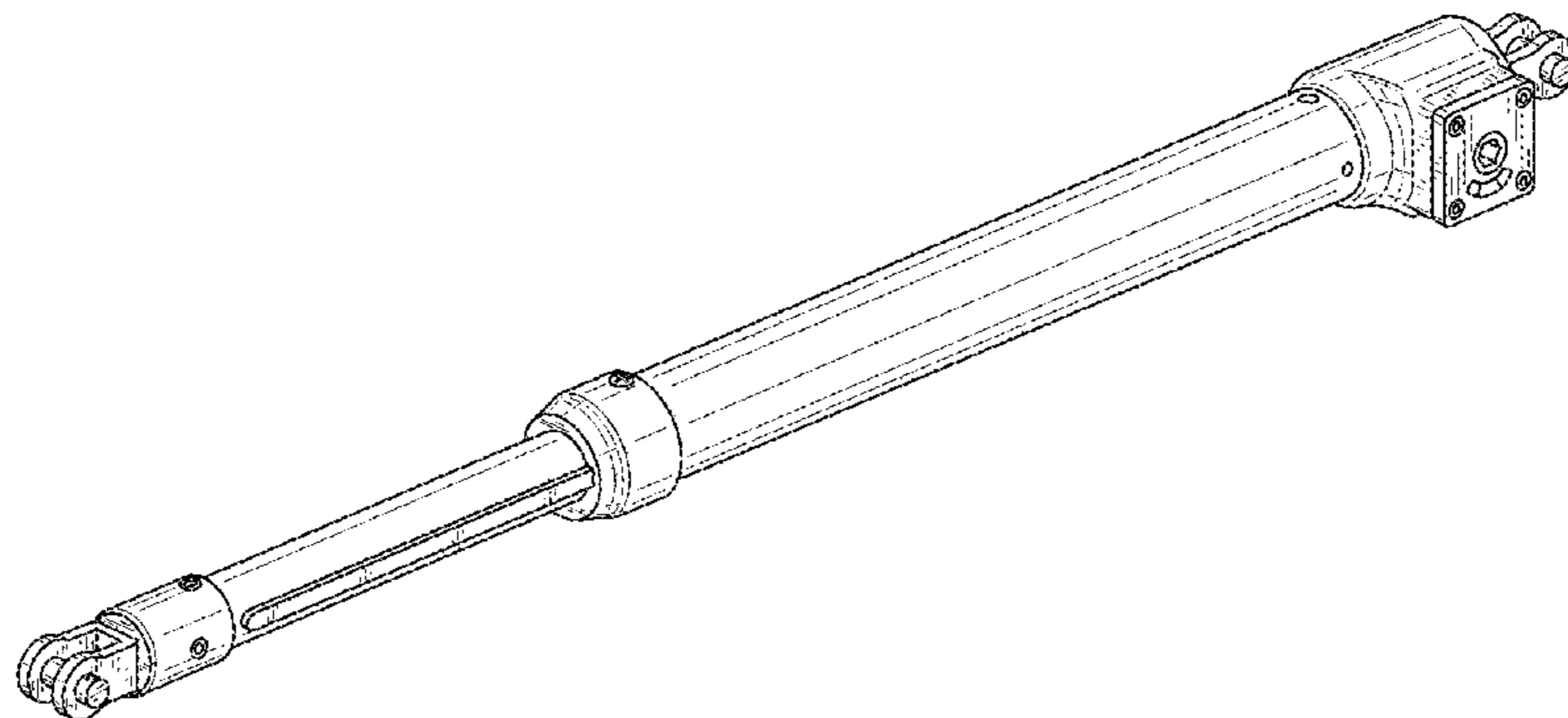
(57) **CLAIM**

I claim the ornamental design for a wire-tensioning device for live-wire separating tool, as shown and described.

DESCRIPTION

FIG. 1 is a front elevational view of a wire-tensioning device for live-wire separating tool, showing my new design;
 FIG. 2 is a rear view thereof;
 FIG. 3 is a top view thereof;
 FIG. 4 is a bottom view thereof;
 FIG. 5 is a left side elevational view thereof;
 FIG. 6 is a right side elevational view thereof;
 FIG. 7 is a perspective view thereof;
 FIG. 8 is a reference perspective view showing a usage state;
 FIG. 9 is an enlarged partial view of the portion designated 9-9' in FIG. 3;
 FIG. 10 is an enlarged partial view of the portion designated 10-10' in FIG. 1; and,
 FIG. 11 is a cross-sectional view taken along line 11-11 in FIG. 1, without showing the internal mechanism.
 The broken line showings of the ends in the cross section views form no part of the claimed design. The broken line showings of the power lines, ropes, supports, etc. in FIG. 8 are provided for purposes of environment and form no part of the claimed design.

1 Claim, 11 Drawing Sheets



(56)

References Cited

U.S. PATENT DOCUMENTS

| | | | | |
|--------------|------|---------|--------------|------------------------|
| 8,672,301 | B2 * | 3/2014 | Kimura | B60M 1/26 174/40 TD |
| 8,702,072 | B2 * | 4/2014 | Kimura | B60M 1/26 174/40 TD |
| 9,531,178 | B2 * | 12/2016 | Kimura | H02G 7/02 |
| 2010/0289196 | A1 * | 11/2010 | Kimura | B60M 1/26 267/73 |
| 2011/0253443 | A1 * | 10/2011 | Sasa | B60M 1/26 174/40 TD |

* cited by examiner

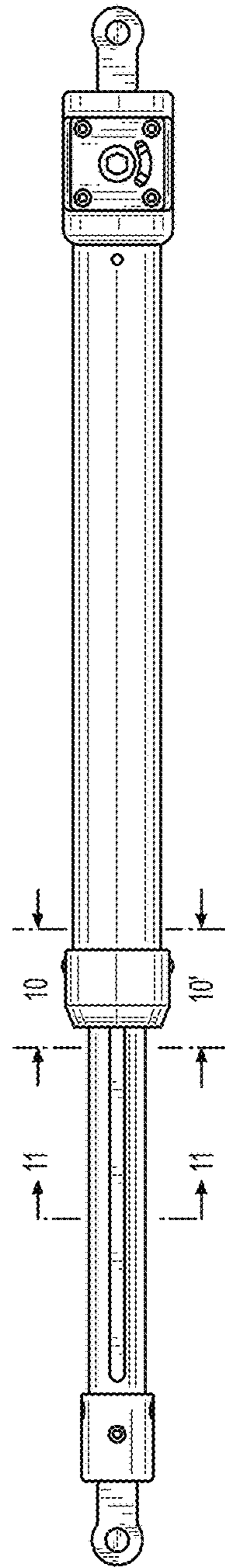


FIG. 1

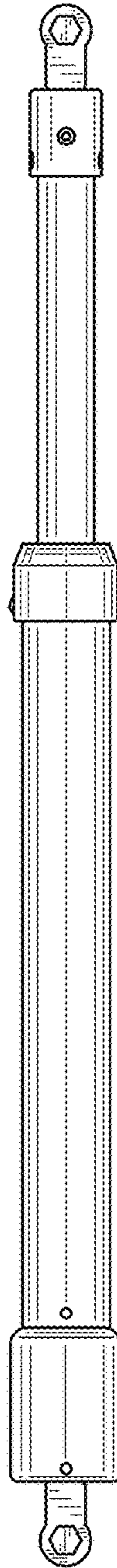


FIG. 2

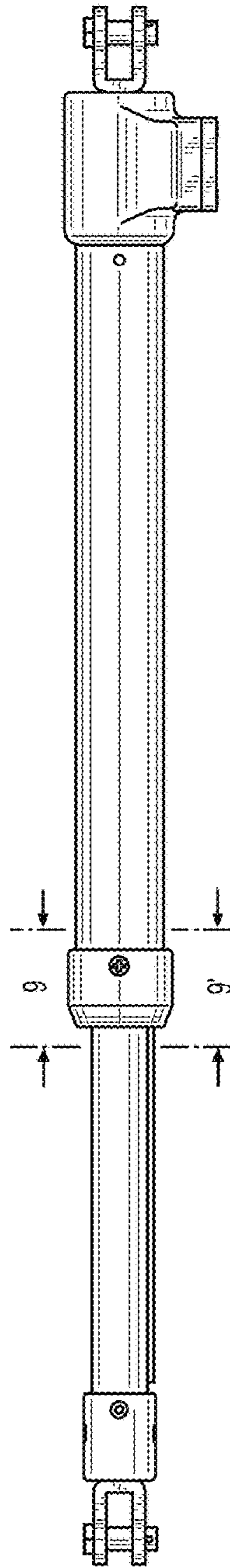


FIG. 3

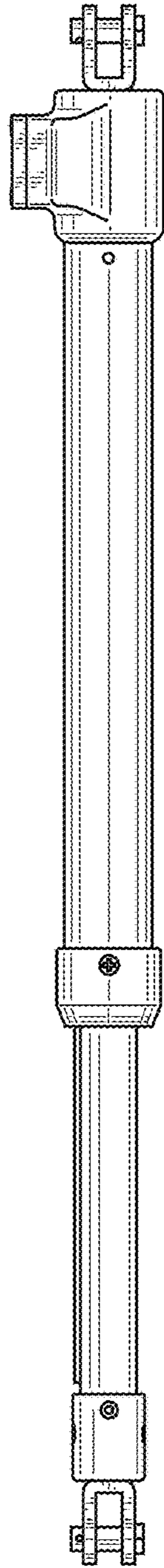


FIG. 4

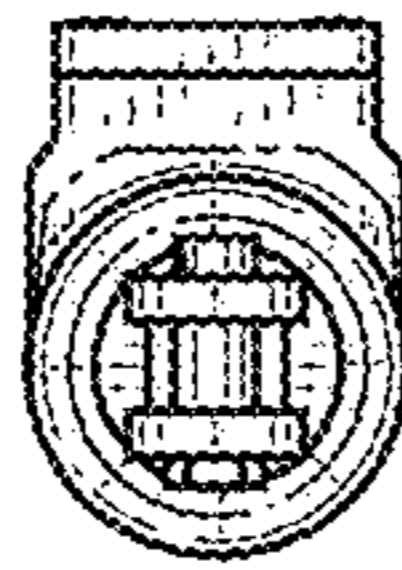


FIG. 5

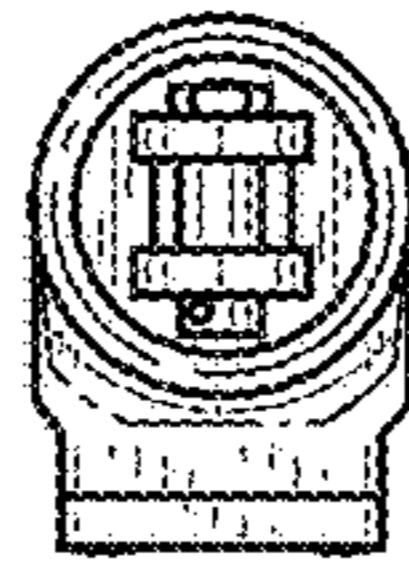


FIG. 6

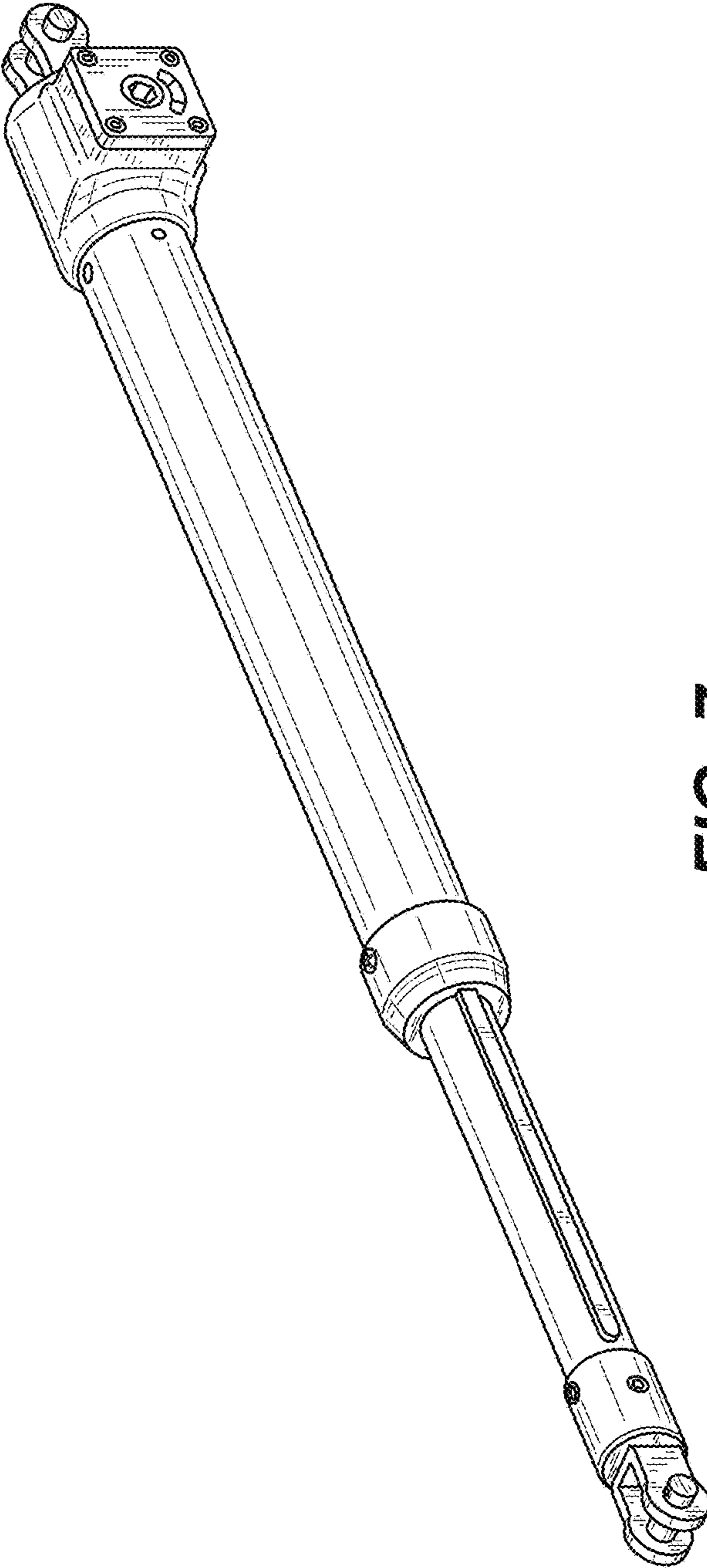


FIG. 7

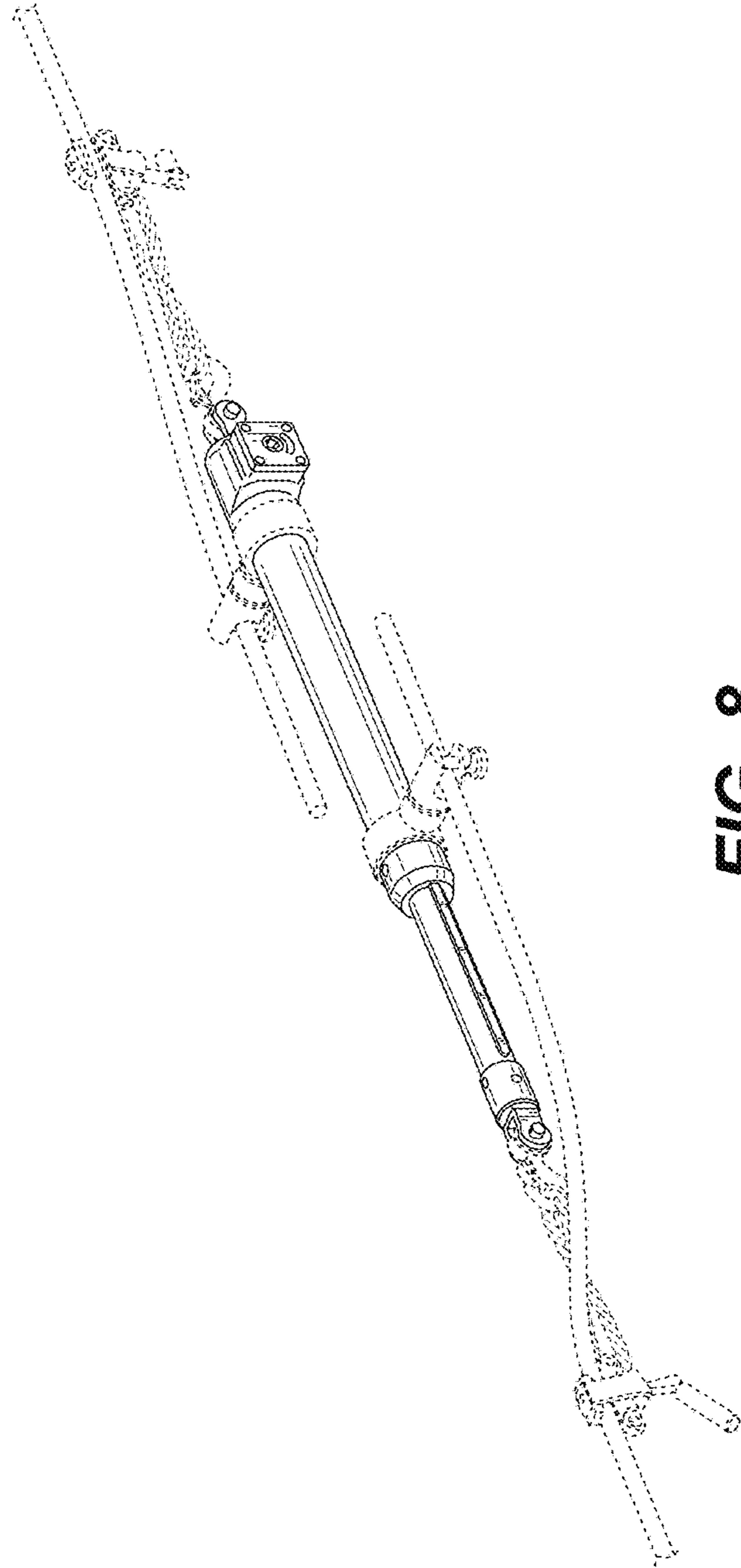


FIG. 8

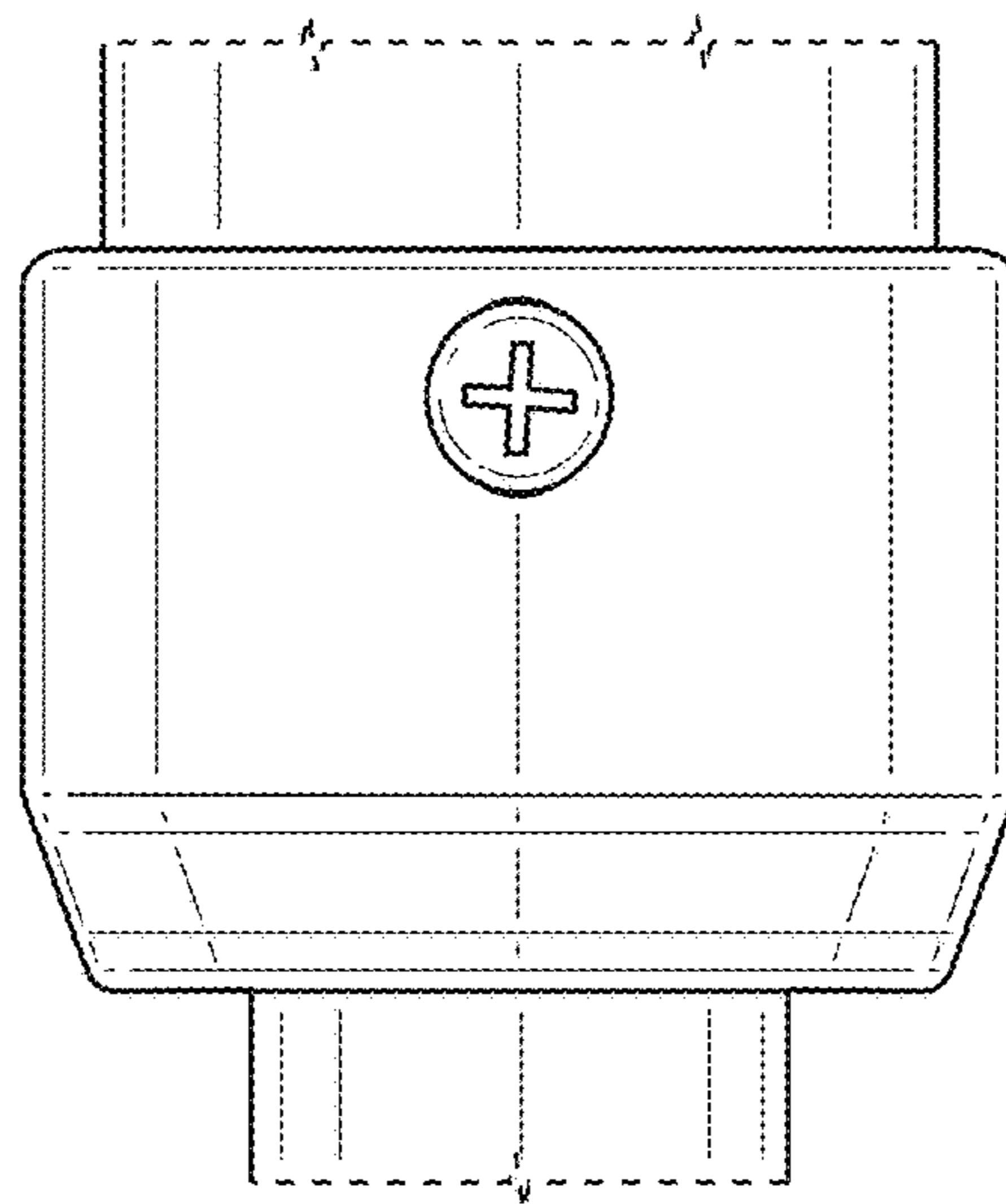


FIG. 9

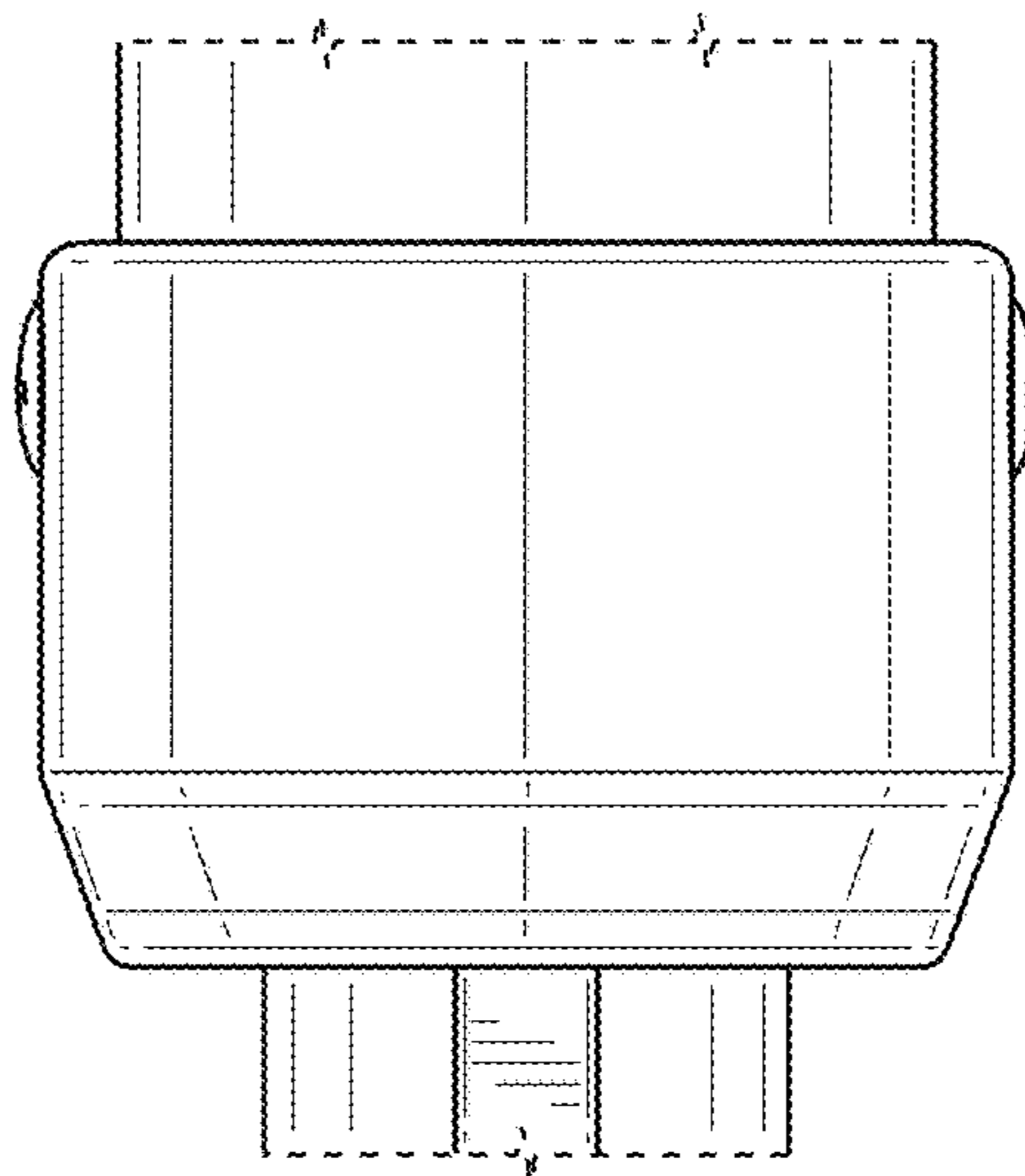


FIG. 10

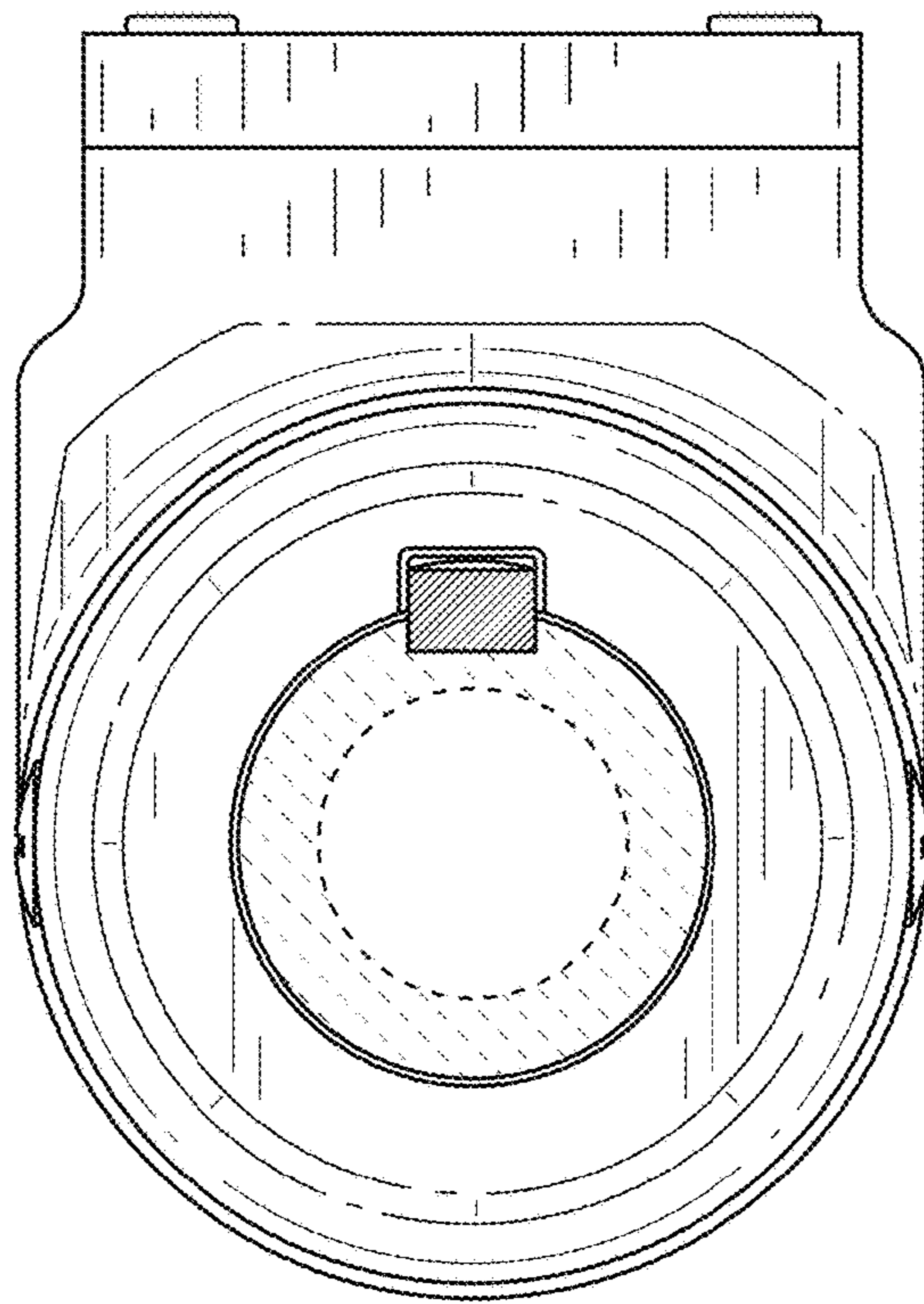


FIG. 11