



US00D855426S

(12) **United States Design Patent**  
**Stauffacher**

(10) **Patent No.:** **US D855,426 S**

(45) **Date of Patent:** **\*\* Aug. 6, 2019**

(54) **OPENER FOR BOTTLES, GLASSES, TUBES AND CANS**

(71) Applicant: **TÖDI-PLAST AG**, Nidfurn (CH)

(72) Inventor: **Kaspar Stauffacher**, Schwanden/GL (CH)

(73) Assignee: **TÖDI-PLAST AG**, Nidfurn (CH)

(\*\*) Term: **15 Years**

(21) Appl. No.: **35/504,226**

(22) Filed: **Dec. 13, 2017**

(80) **Hague Agreement Data**

Int. Filing Date: **Dec. 13, 2017**

Int. Reg. No.: **DM/098956**

Int. Reg. Date: **Dec. 13, 2017**

Int. Reg. Pub. Date: **Dec. 29, 2017**

(51) **LOC (12) Cl.** ..... **07-99**

(52) **U.S. Cl.**  
USPC ..... **D8/39**

(58) **Field of Classification Search**  
USPC ..... D8/17, 19, 21, 4, 20, 16, 18, 51, 52, 55,  
D8/33, 39, 34, 35, 40, 41, 105; D7/665,  
D7/666, 680, 683, 686, 687; D27/195  
CPC .. B67B 7/16; B67B 7/18; B67B 7/066; B67B  
7/14  
See application file for complete search history.

(56) **References Cited**

**U.S. PATENT DOCUMENTS**

D187,042 S \* 1/1960 Winkler ..... D8/39  
D238,411 S \* 1/1976 Levenson ..... D8/18

D334,123 S \* 3/1993 Barclay ..... D8/39  
D359,214 S \* 6/1995 Carlson, Jr. .... D8/51  
D368,212 S \* 3/1996 Johnston ..... D8/52  
D455,060 S \* 4/2002 Aganian ..... D8/52  
D501,382 S \* 2/2005 Macauley ..... D8/18  
D539,623 S \* 4/2007 Yu ..... D8/40  
D543,813 S \* 6/2007 Tutorow ..... D8/52  
D750,947 S \* 3/2016 Steiner ..... D8/51  
D781,676 S \* 3/2017 Stauffacher ..... D8/39  
D821,839 S \* 7/2018 Tzeng ..... D8/51

\* cited by examiner

*Primary Examiner* — Eliza Z Bennett-Hattan

(74) *Attorney, Agent, or Firm* — Paul D. Bianco; Fleit  
Gibbons Gutman Bongini & Bianco PL

(57) **CLAIM**

The ornamental design for an opener for bottles, glasses, tubes and cans, as shown and described.

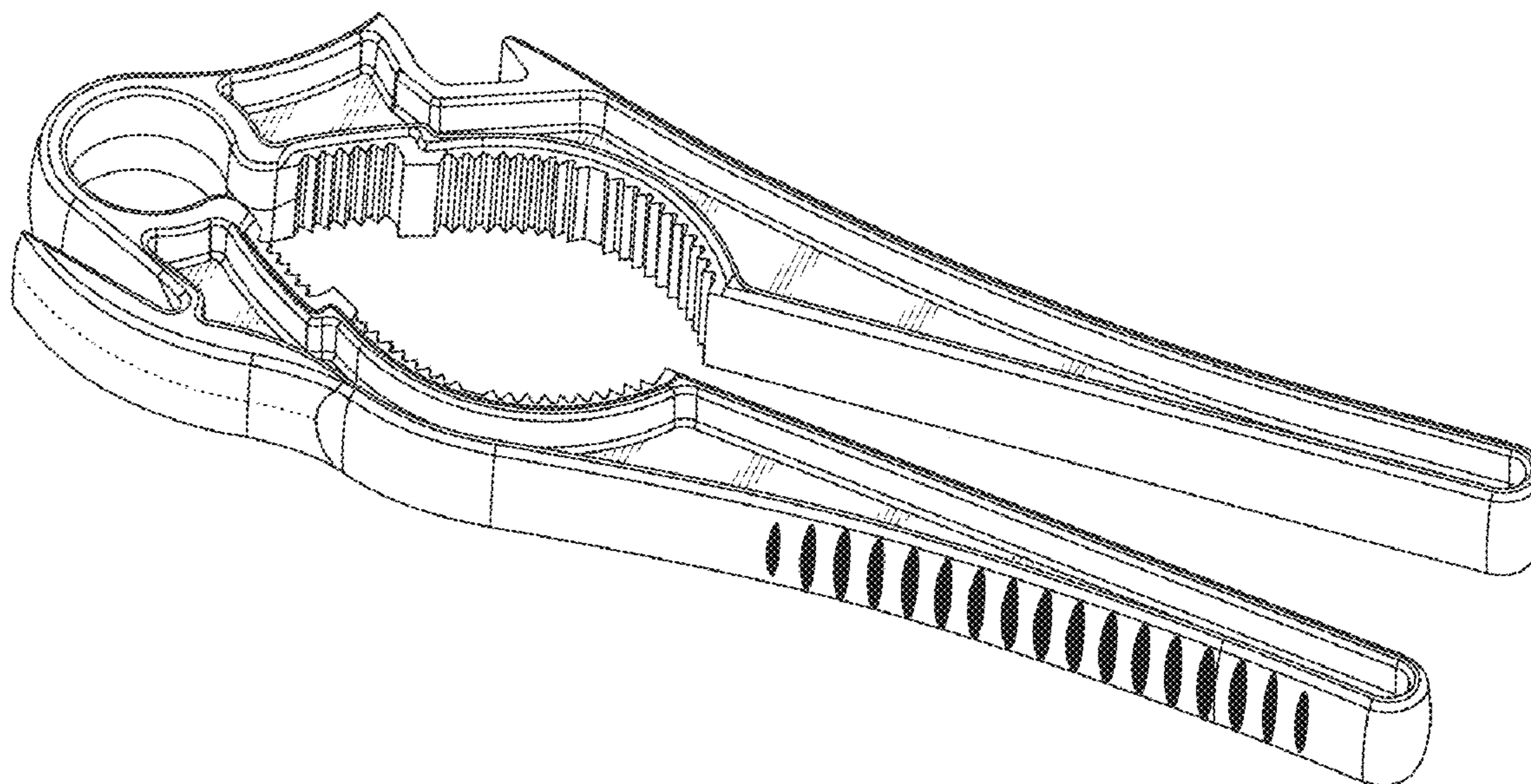
**DESCRIPTION**

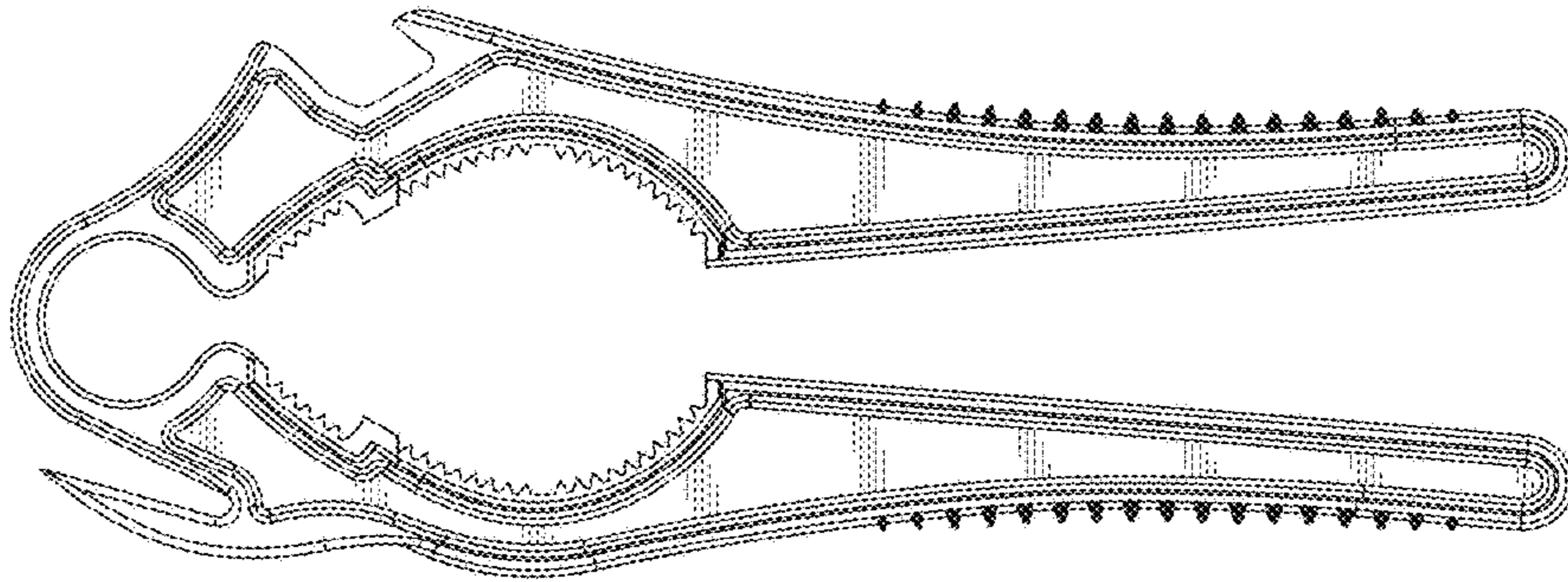
1. Opener for bottles, glasses, tubes and cans

- 1.1 : Left
- 1.2 : Top
- 1.3 : Bottom
- 1.4 : Front
- 1.5 : Back
- 1.6 : Perspective

The broken lines shown in the drawings illustrate portions of the opener for bottles, glasses, tubes and cans that form no part of the claimed design.

**1 Claim, 2 Drawing Sheets**





1.1



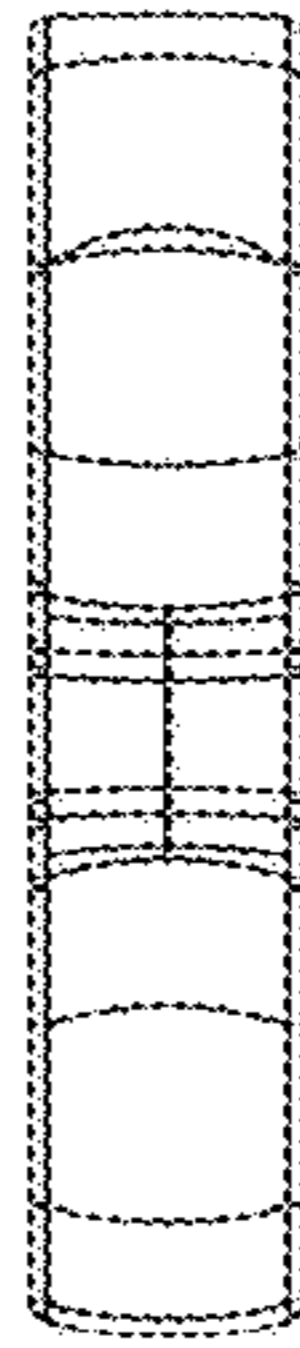
1.2



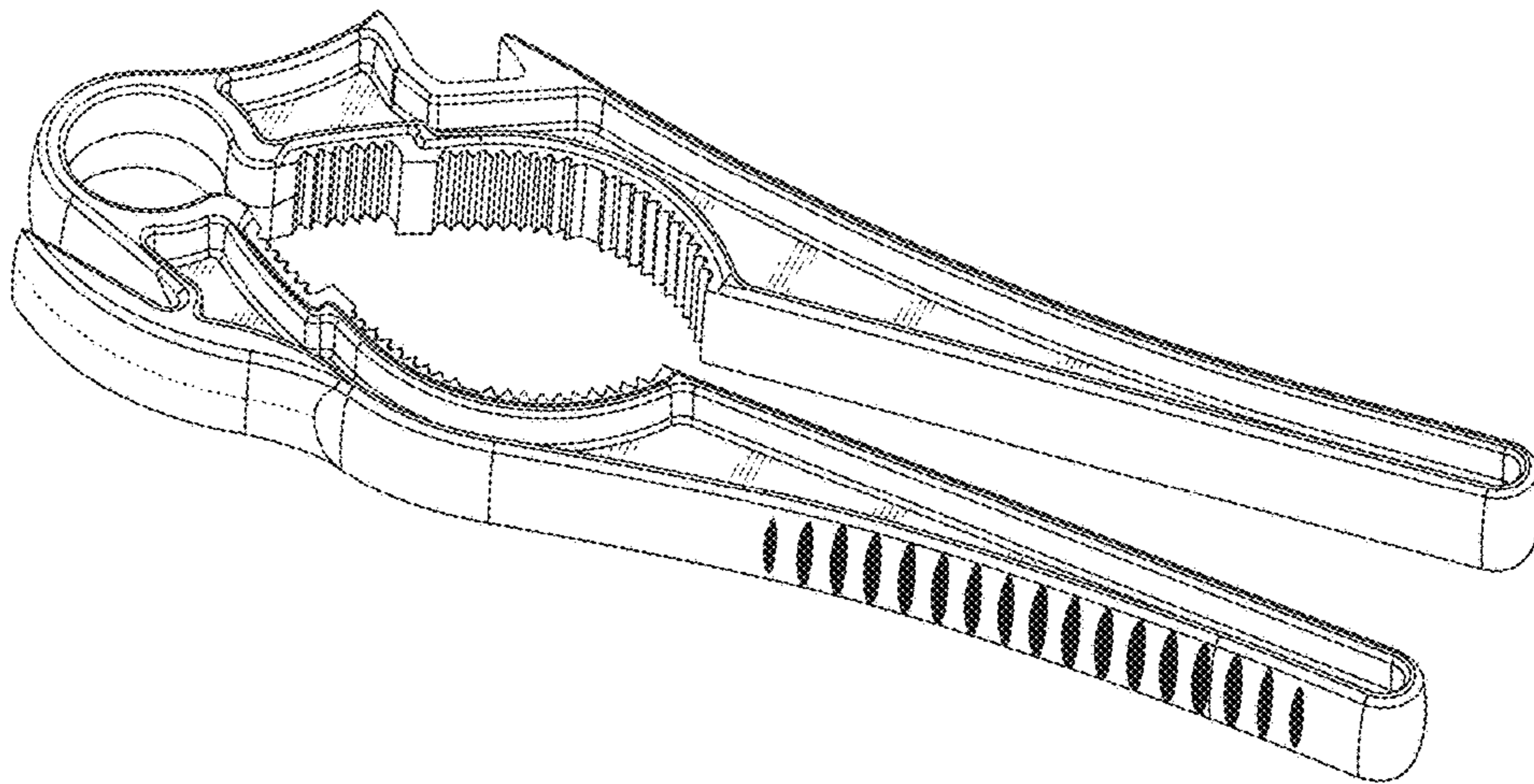
1.3



1.4



1.5



1.6